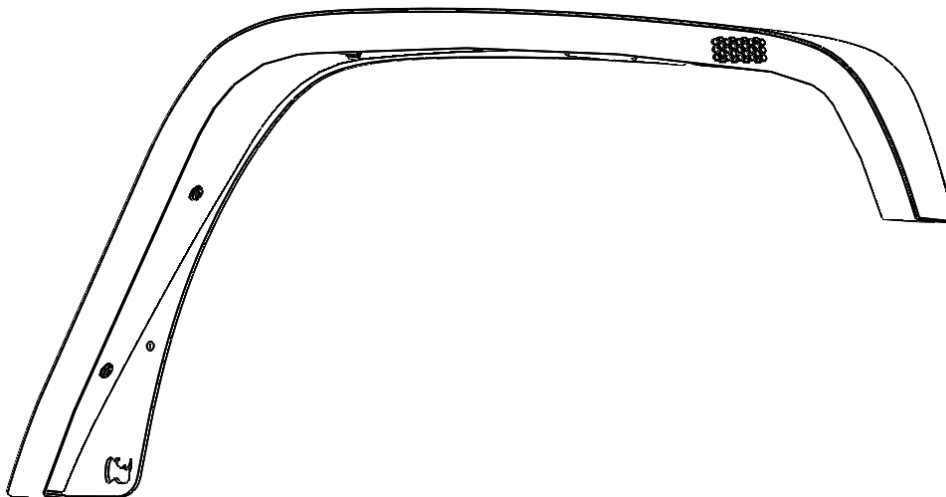




INSTALLATION INSTRUCTIONS



PART NO.

- 701061T
- 701091T

PRODUCT DESCRIPTION:

- ROADLINE FRONT FENDER KIT

APPLICATION:

- JEEP JK WRANGLER

PRODUCT SAFETY & LEGAL DISCLAIMER

- **IMPORTANT READ ALL INSTRUCTIONS CAREFULLY BEFORE INSTALLING, FAILURE TO DO SO MAY CAUSE PERSONAL INJURY OR DAMAGE TO PRODUCT AND/OR PROPERTY.**
- **Review the product package and contents prior to beginning the installation.** Take care when opening the packaging and removing items. If a return is needed you will want to return the product in its original packaging if possible.
- This instruction guide is provided as a GENERAL installation guide, some vehicles vary dimensionally and may require additional steps.
- Test fit the product on the vehicle prior to any third party modifications and or finishing. The manufacturer and/or distributors do not accept responsibility for third party charges, labor and or third part replacement modifications. Some modifications may void the factory warranty.
- Exercise due-diligence when installing this product. The manufacturer and distributors of this product do not accept any responsibility for vehicle damage or personal injury resulting from the installation of this product. Careless installation and operation can result in serious injury or equipment damage.
- This product is for general off-road use. All liability for installation and use rests with the owner/operator.
- **INSTALLER:** Once installation is complete, please return this guide along with other documentation included in this product back to the consumer for future reference. The manufacturer/distributors of this product do not guarantee this particular version will be available at a later date.

© 2016 Go Rhino Products. All rights reserved

www.gorhino.com

589 W. Apollo St., Brea, CA 92821

P: 888 427 4466



INSTALLATION INSTRUCTIONS

INJURY HAZARD

Please complete a shop and tool inspection prior to beginning the installation.

- Always make sure you have a clean, dry and well lit work area.
- Always remove jewelry, loose fitting clothing and wear protective gloves and eye protection.
- Always use extreme caution when jacking or raising a vehicle for work. Set the emergency brake and use tire/wheel blocks and jack stands. Refer to the vehicle manufacturer hand book. Utilize the vehicle manufacturers designated lifting points.
- Always use appropriate and adequate care in lifting parts during disassembly and installation. Seek help in lifting heavy or large items into place. Utilize jacks and or lifting devices when available.
- Always insure products are secure during disassembly and installation.
- Always wear eye protection and take steps to protect any exposed skin during the installations. Drilling, cutting and grinding plastic and metal may create flying particles that can cause injury.
- Always use extreme caution when drilling, cutting and or grinding on a vehicle. Thoroughly inspect the area to be drilled, on both sides of material, prior to modification and relocate any objects that may become damaged.
- Always assemble and tighten all fasteners per the installation instructions.
- Always route electrical cables carefully. Avoid moving parts, parts that may become hot and rough or sharp edges.
- Always insulate and protect all exposed wiring and electrical connections.

MAINTENANCE AND CARE

- Always perform regular inspections and maintenance on mounts and related fasteners.
- Periodically check and tighten all fasteners.
- Stripped, fractured, or bent fasteners must be replaced.
- After washing the vehicle make sure to fully dry all surfaces.
- In areas with cold temperatures make sure to wash the product often to remove harmful materials used on road ways.
- Never use abrasive cleaners or polish compounds. Clean with a gentle soap and water. If you use wax use a non-abrasive automotive wax such as pure carnauba wax.

WARNING

Some products have been designed to work together with factory rear sensor systems, factory forward facing sensor systems and factory air bags.

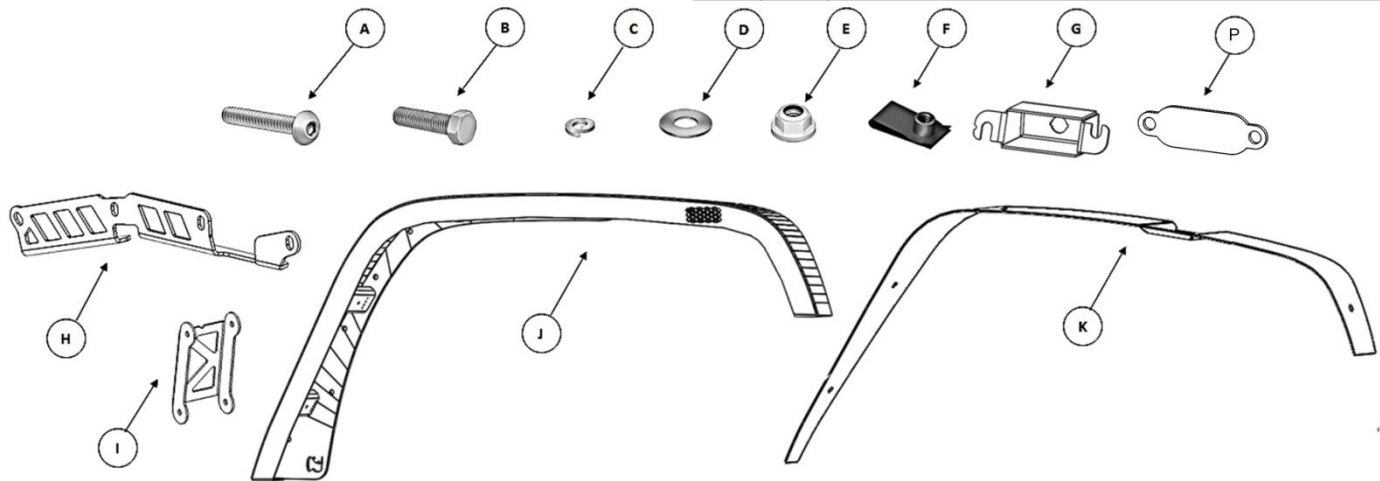
- Installation of some of these products may alter the factory sensor system performance.
- Factory sensors may read shackles or hooks protruding from the fairlead and or tow hooks.
- All sensor testing is completed by Go Rhino Products and or third party testing labs on modified vehicles.
- Sensor sensitivity, factory sensor housing, orientation, and operating conditions are all variables that will influence functionality of the sensors.
- Installation of some product may effect the factory air bag systems.
- Some products allow the use of third party products such as winches, shackles, hooks, etc. Follow the respective manufacturers operating instructions for use with our products.
- Make sure to fully understand the product, it's intended use and operation prior to use.
- Above all... be safe!

GO RHINO®

INSTALLATION INSTRUCTIONS

PARTS INCLUDED IN THIS LIST:

ITEM	QTY.	DESCRIPTION	ITEM	QTY.	DESCRIPTION
A	8	1/4" x 3/4" Button Head Bolt (Preinstalled)	I	1	Passenger / Auxilliary Bracket
B	24	1/4" x1" Hex Bolt	J	1	Passenger / Roadline Front Fender
C	8	1/4" Lock Washer (12 preinstalled)	K	1	Passenger / Fender Liner
D	40	1/4" Flat Washer (12 preinstalled)	L	1	Driver / Support Bracket (Not Shown)
E	16	1/4" Nylon Locking Hex Nut	M	1	Driver / Auxilliary Bracket (Not Shown)
F	8	1/4" Clip-Nut	N	1	Driver / Roadline Front Fender (Not Shown)
G	2	Light Bracket (Preinstalled)	O	1	Driver / Fender Liner (Not Shown)
H	1	Passenger / Support Bracket	P	2	Acrylic cover (Preinstalled)
			Q	4	1/4" Hex Nut (Preinstalled)



Go Rhino recommends you, the installer, read this installation instruction manual from front to back before installing the product. You may also [click here](#) to view an installation video or visit <http://www.gorhino.com/Installation-Videos>.

TOOLS NEEDED FOR INSTALLATION:

- 10mm & 7/16" Socket & Wrench
- Ratchet & Ratchet Extension
- 5/32" Hex Key
- Clip Removal Tool , or Flat Blade Screw Driver
- Cut-off Wheel or Sawzall
- Drill Motor & 3/8" Drill Bit

ESTIMATED TIME FOR INSTALLATION:

1 1/2 Hour

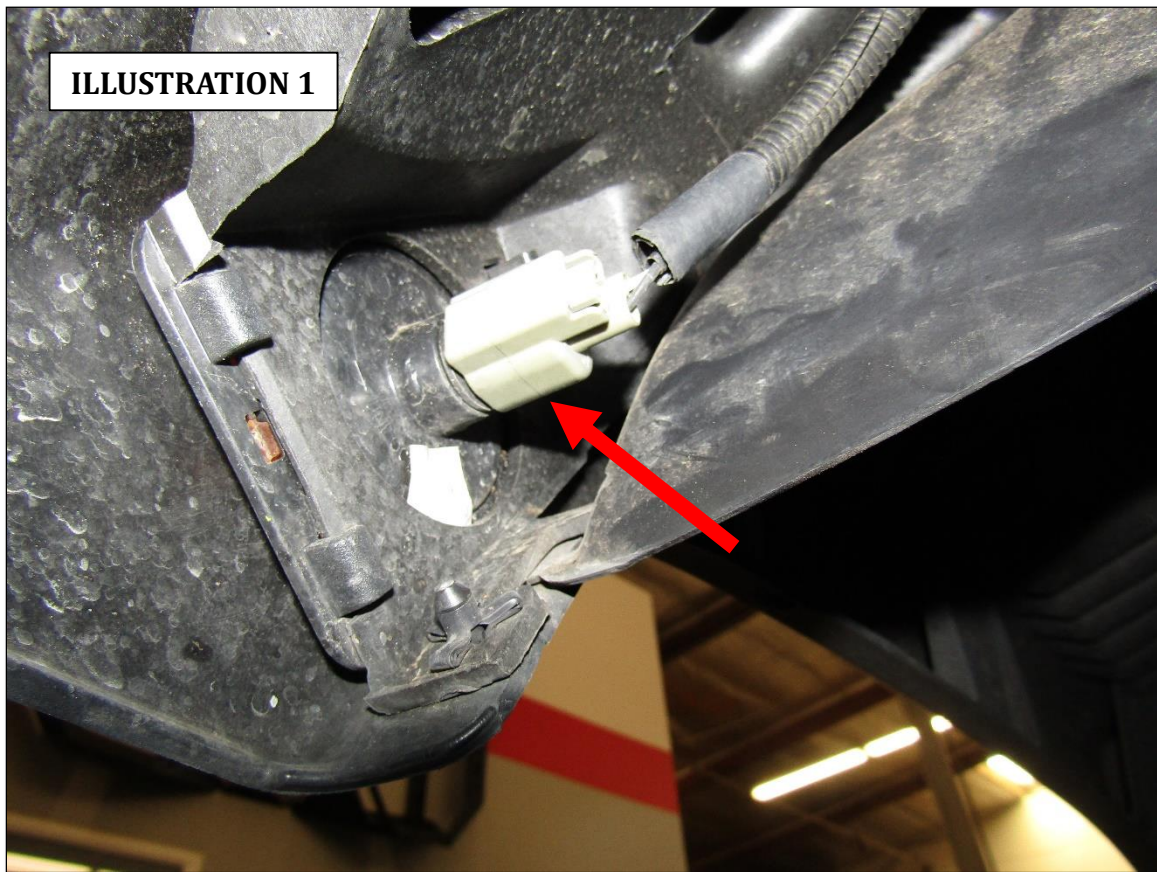
If you need installation service for your new product, call the authorized distributor from whom you purchased the product or an authorized installation service company which can be found by calling toll free 1-888-427-4466

GO RHINO®

INSTALLATION INSTRUCTIONS

OEM Front Fender Removal

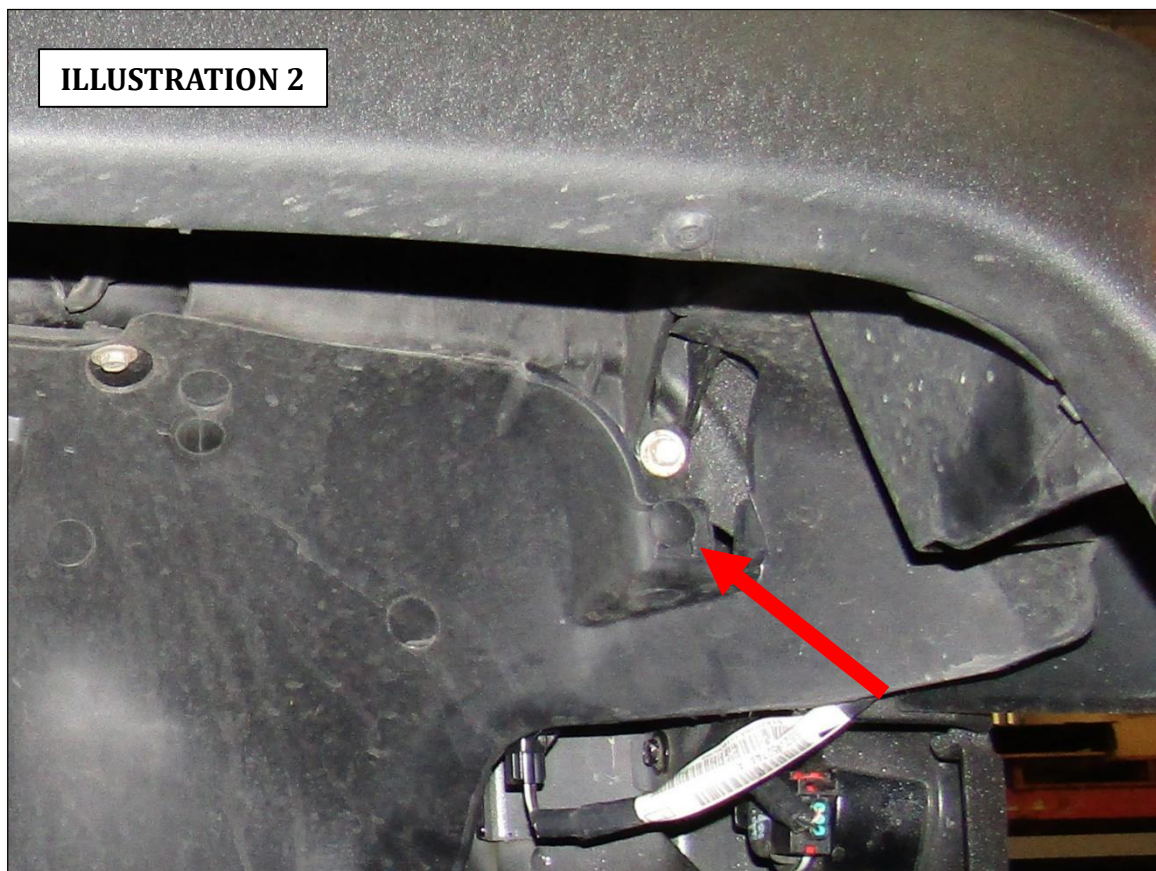
Step-1 Disconnect the plug for the side marker light wiring harness, (ILLUSTRATION 1).



GO RHINO®

INSTALLATION INSTRUCTIONS

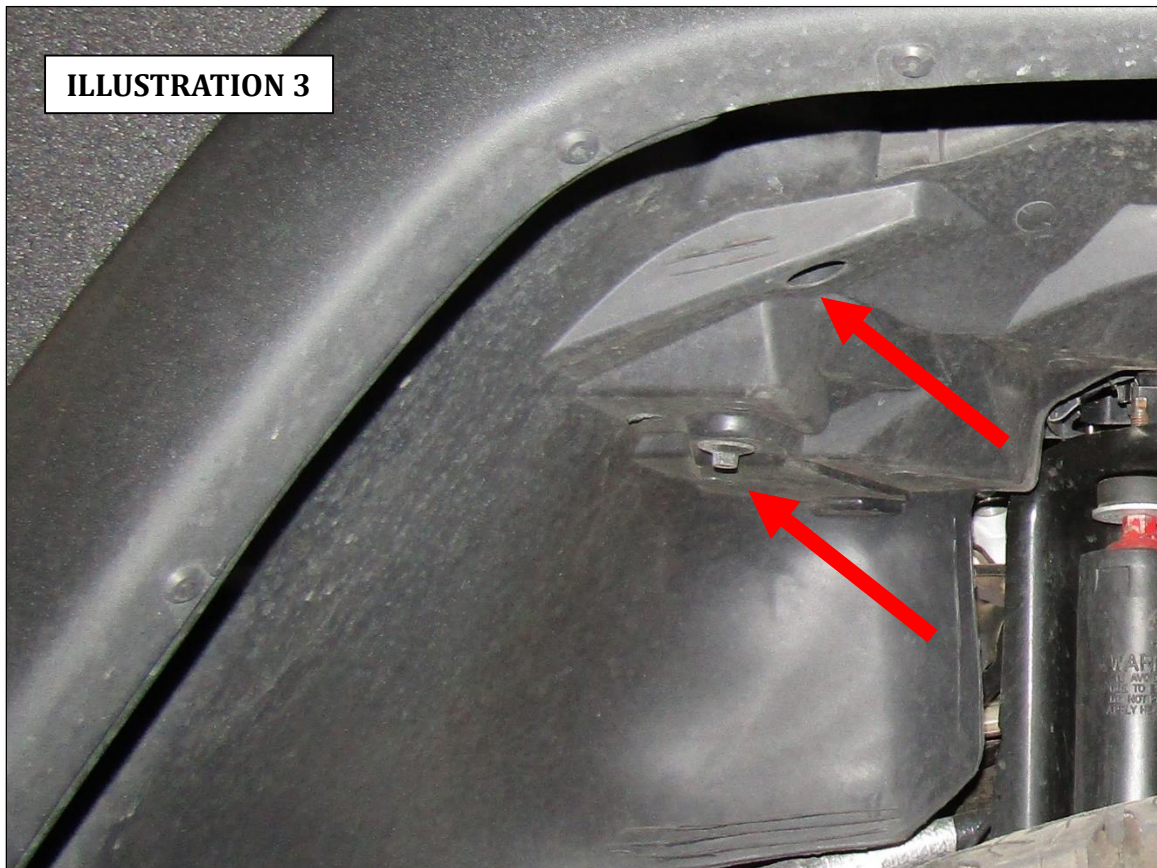
Step-2 Using a clip removal tool, remove (1) clip fastener from the front of the wheel well area securing the fender liner to the vehicle, (ILLUSTRATION 2).



GO RHINO®

INSTALLATION INSTRUCTIONS

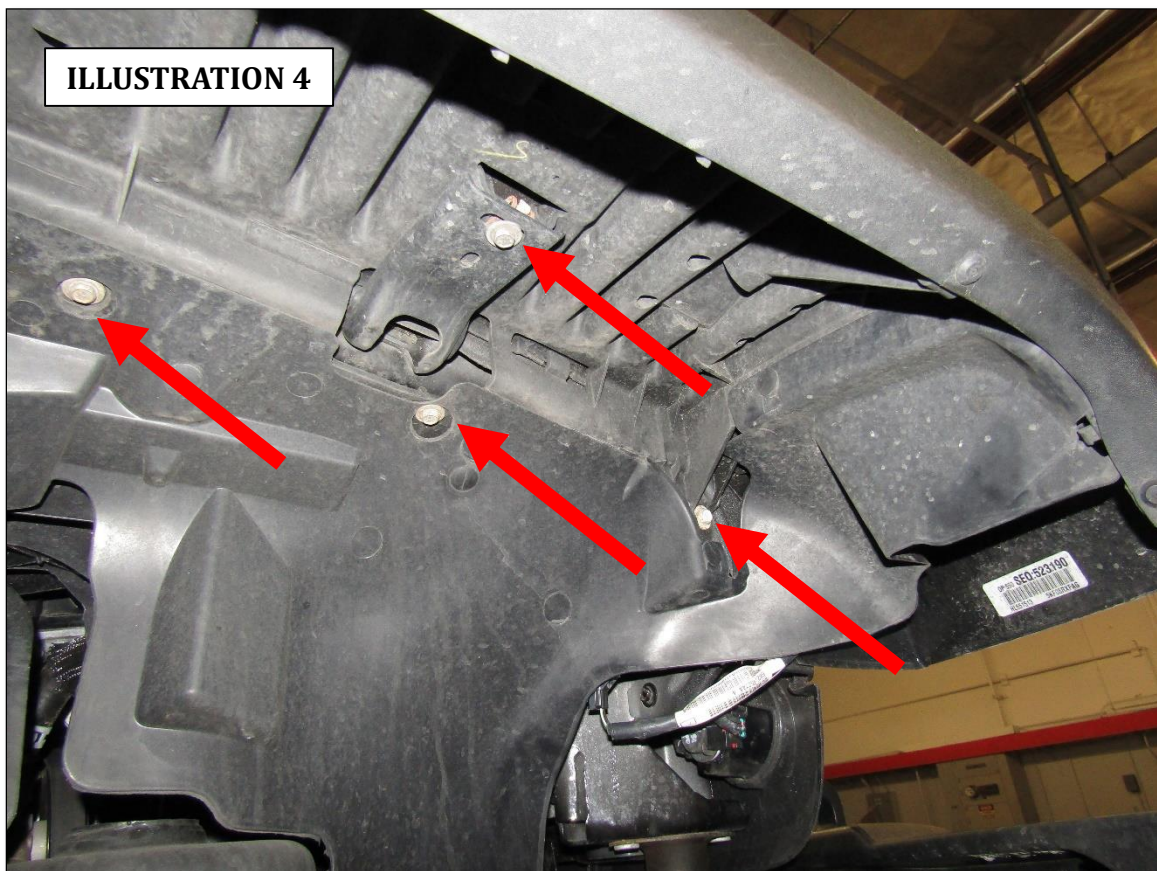
Step-3 Using a 10mm socket and ratchet, remove (2) bolts from the rear of the wheel well area securing the OEM fender to the vehicle., (ILLUSTRATION 3).



GO RHINO®

INSTALLATION INSTRUCTIONS

Step-4 Using a 10mm socket and ratchet, remove the (4) bolts from the center of the wheel well area securing the OEM fender to the vehicle, (ILLUSTRATION 4). Retain (3) of the bolts as they will be used for attachment of the Roadline fender support bracket.



Step-5 After you've removed the OEM fender clip fastener and bolts, grab the fender, lift it up and pull outward from side to side while wiggling it. Continue to do so gently until it comes off. Remove any plastic clips that may have broken off and remain in the holes on the vehicle body.

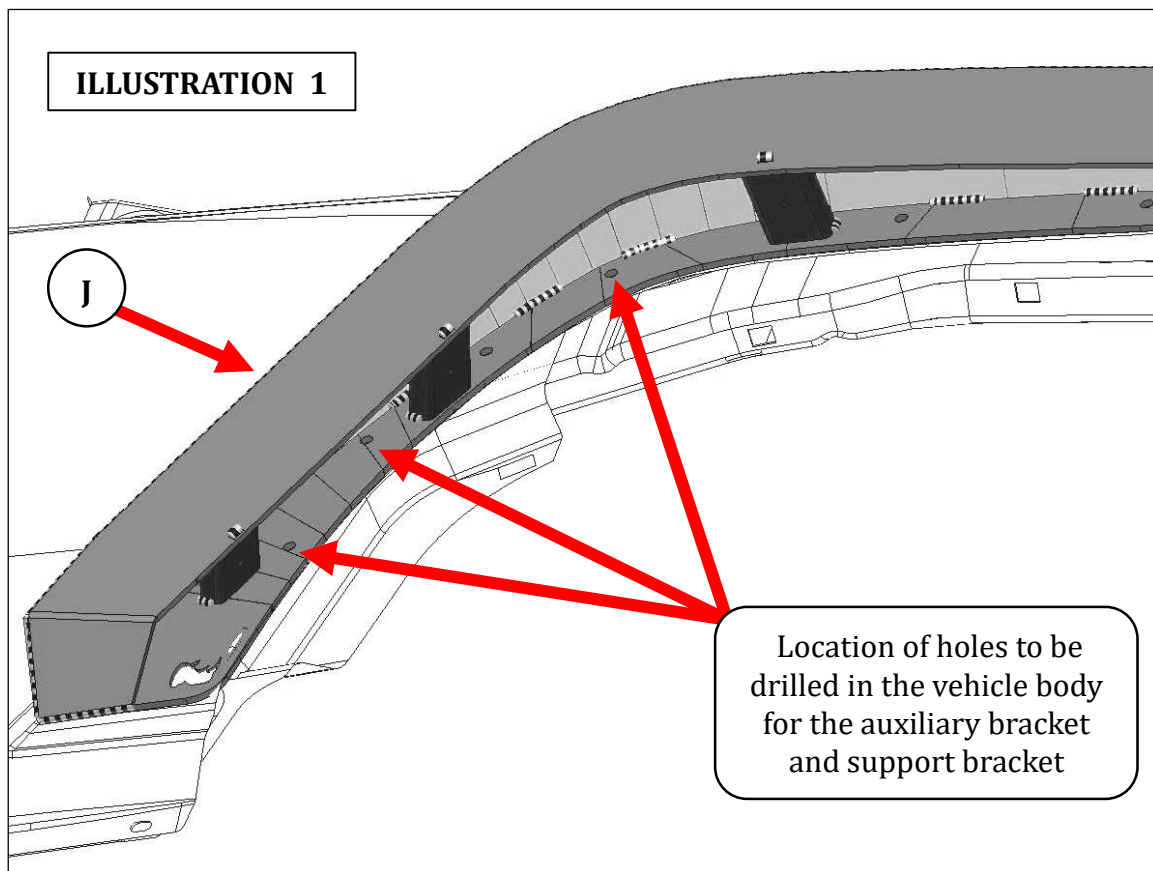
GO RHINO®

INSTALLATION INSTRUCTIONS

Roadline Front Fender Installation

Step-1 Apply masking tape to the vehicle body along the outside of the OEM fender recess, to protect the paint while installing the Roadline fender.

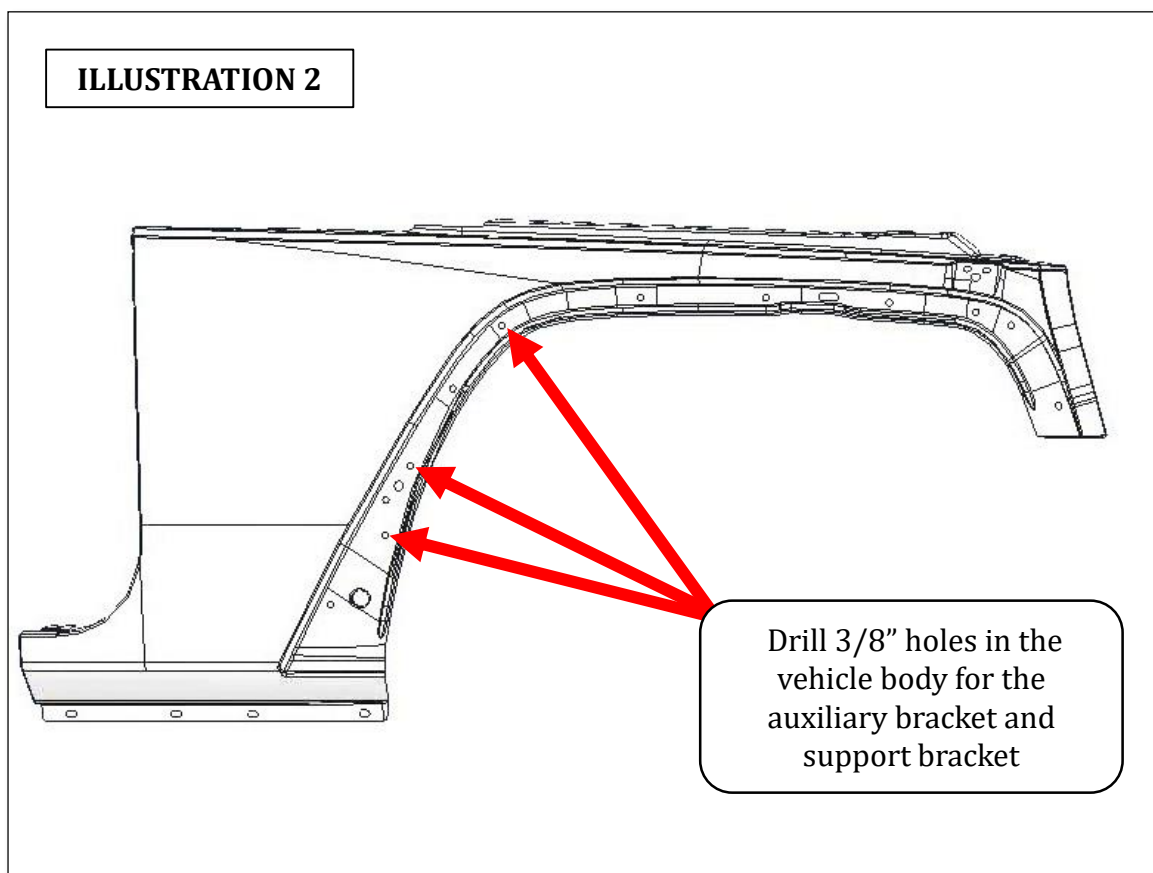
Step-2 With assistance position the Roadline fender up to vehicle and align the attachment holes in the Roadline fender with the holes in the vehicle body used for attachment of the OEM fender. Use the holes in the Roadline fender as a guide and mark the location of the (2) holes to be drilled in the vehicle body for attachment of the auxiliary bracket and (1) additional hole for attachment of the support bracket, (ILLUSTRATION 1).



GO RHINO®

INSTALLATION INSTRUCTIONS

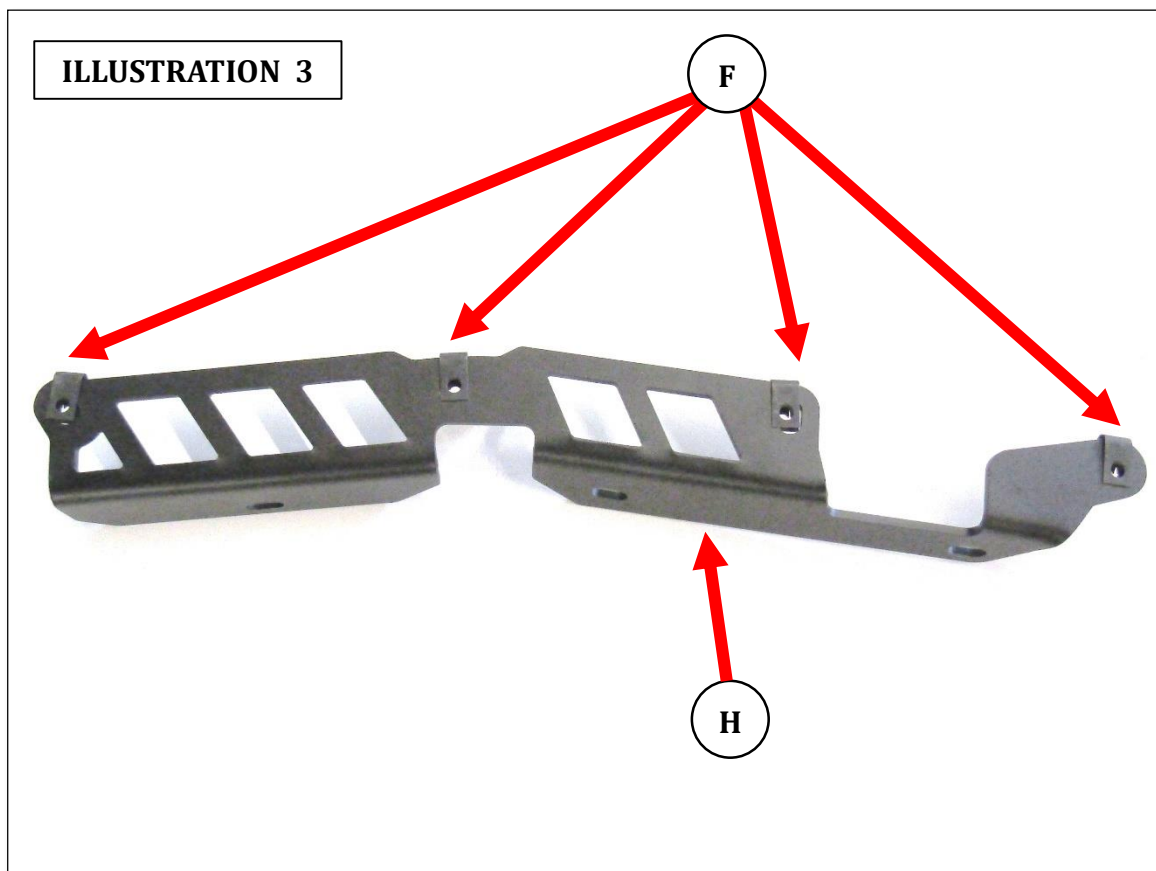
Step-3 Remove the Roadline fender from the vehicle and drill 3/8" holes at the (3) locations marked on the vehicle body for attachment of the auxiliary bracket and support bracket, (ILLUSTRATION 2).



GORRHINO[®]

INSTALLATION INSTRUCTIONS

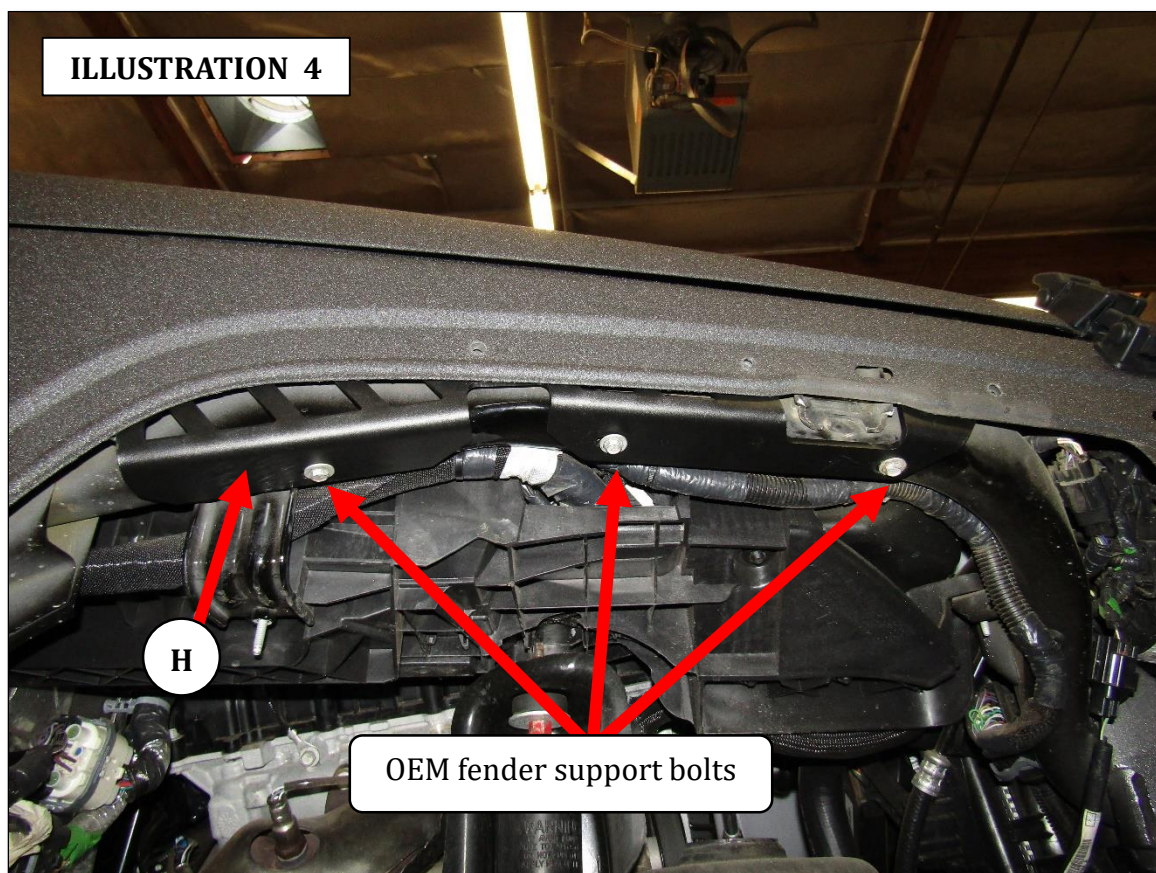
Step-4 Install (4) ¼" clip nuts on the passenger side support bracket, (ILLUSTRATION 3).



GO RHINO®

INSTALLATION INSTRUCTIONS

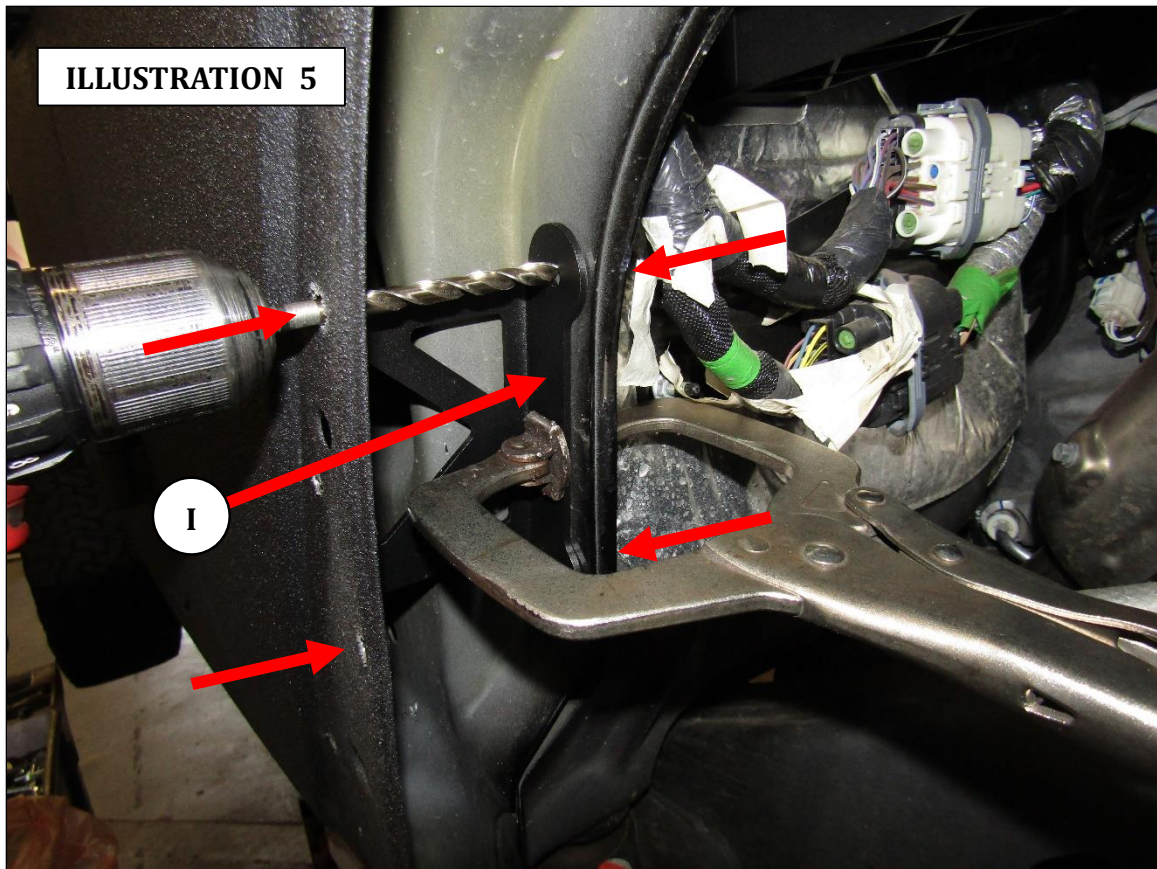
Step-5 Attach the Roadline fender support bracket to the vehicle using (3) of the OEM fender support bolts, (ILLUSTRATION 4).



GO RHINO®

INSTALLATION INSTRUCTIONS

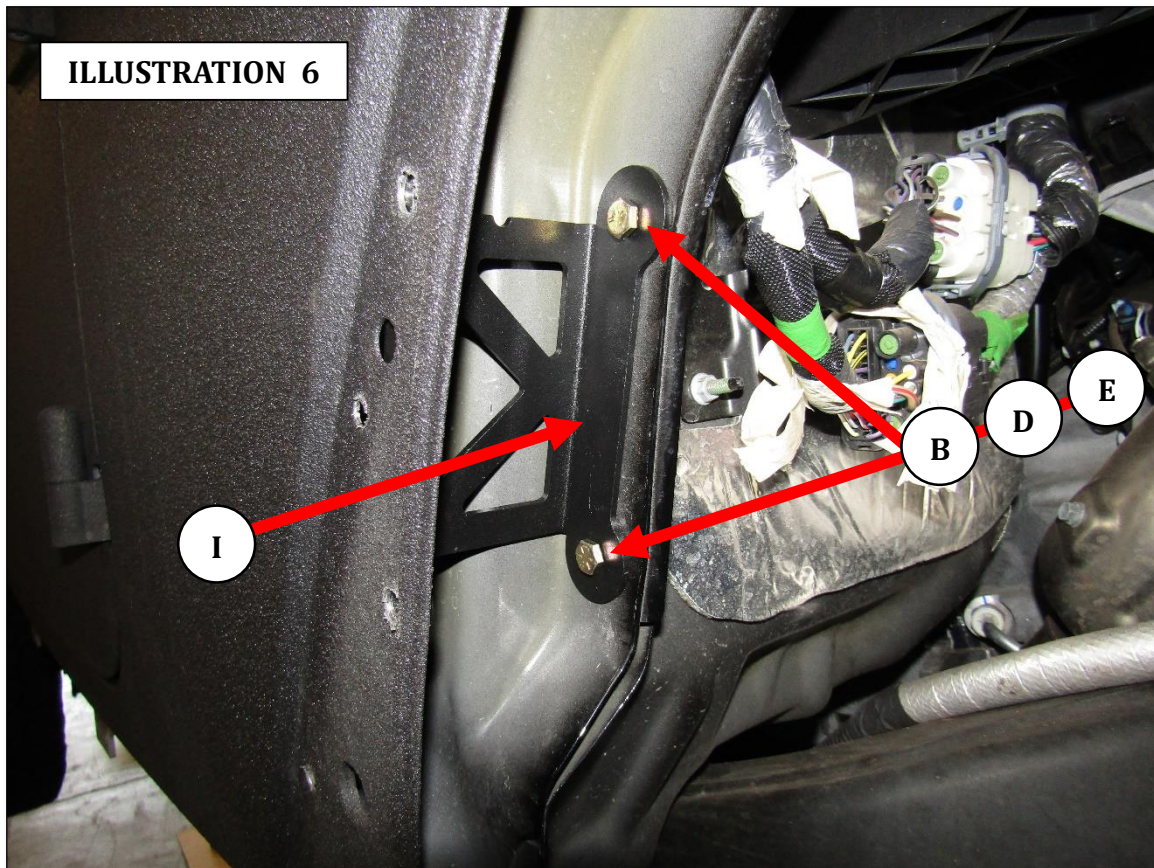
Step-6 Align the auxiliary bracket with the (2) holes drilled (Step-3) in the vehicle body panel. Use the holes in the auxiliary bracket as a guide and drill 3/8" holes through the vehicle inner body panel, (ILLUSTRATION 5). Note the notch in the auxiliary bracket is referencing the top of the bracket.



GO RHINO®

INSTALLATION INSTRUCTIONS

Step-7 Attach the auxiliary bracket to the inner body panel using (2) ¼" x 1" hex bolts, (2) ¼" flat washers and (2) ¼" locking hex nuts, (ILLUSTRATION 6). Leave the nuts and bolts lose for final adjustment.

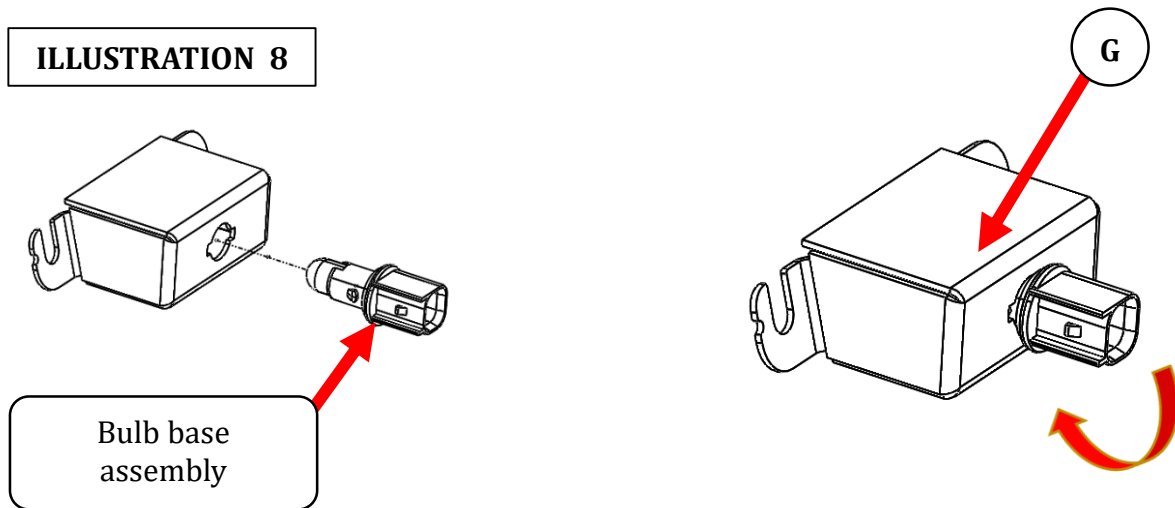


GORRHINO[®]

INSTALLATION INSTRUCTIONS

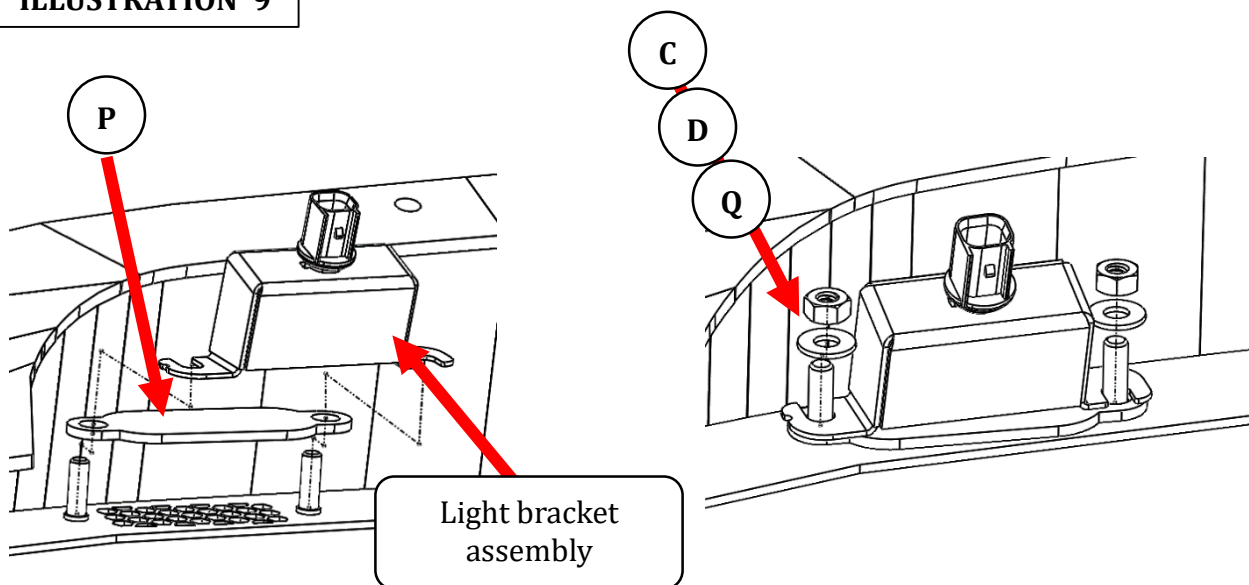
Step-8 Remove the fasteners and side marker lamp assembly from the OEM front fender. Remove the bulb base assembly from the side marker light mounting flange rotating clockwise to unlock. Insert the bulb base assembly into the light bracket, make sure the protuberances align with the cuts from light bracket. Rotate $\frac{1}{2}$ turn to secure the bulb base assembly on the light bracket, (ILLUSTRATION 8).

ILLUSTRATION 8



Step-9 Position the acrylic cover and the light bracket assembly inside the Roadline fender on the studs, secure to the fender using (2) $\frac{1}{4}$ " x $\frac{3}{4}$ " button head bolt, (2) $\frac{1}{4}$ " flat washer, (2) $\frac{1}{4}$ " lock washer and (2) $\frac{1}{4}$ " hex nut, (ILLUSTRATION 9).

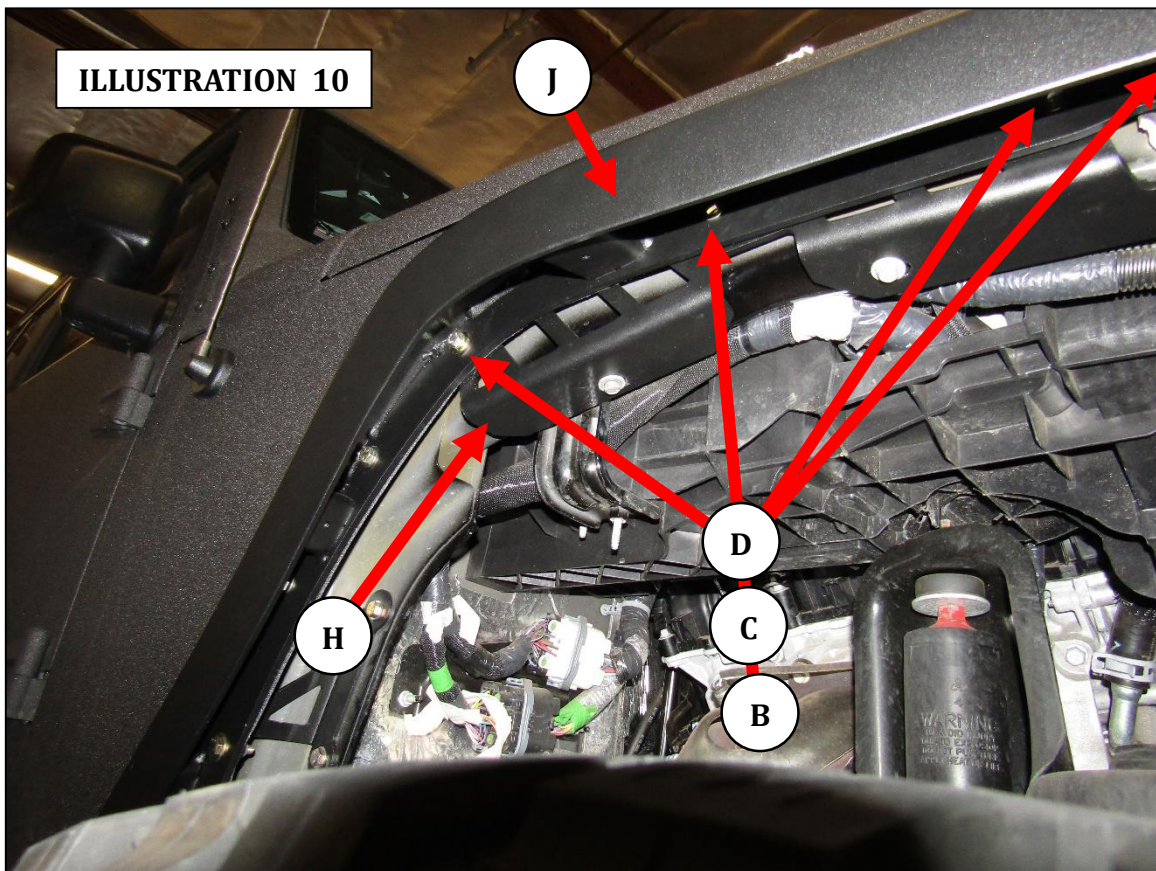
ILLUSTRATION 9



GO RHINO®

INSTALLATION INSTRUCTIONS

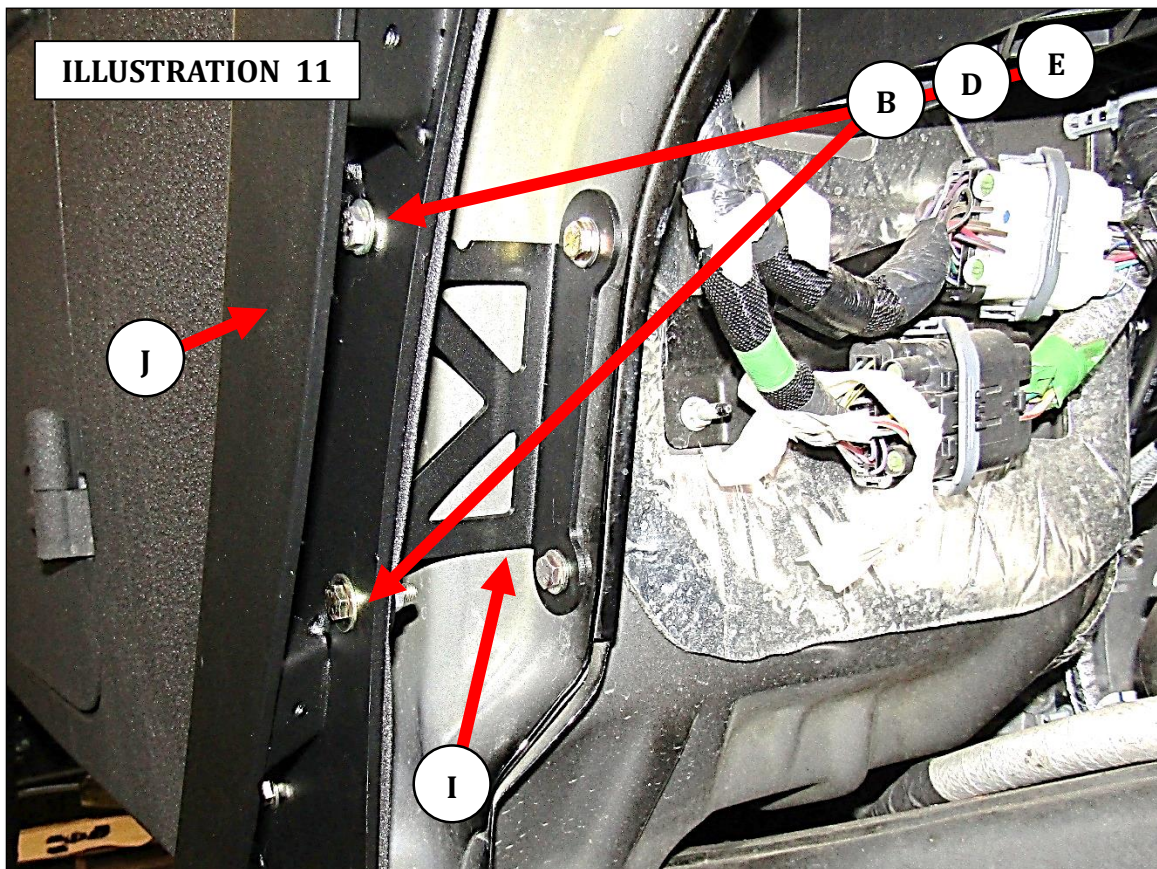
Step-10 Attach the Roadline fender to the support bracket using (4) ¼"x 1" hex bolts, (4) ¼" lock washers and (4) ¼" flat washers, (ILLUSTRATION 10). Leave the bolts loose for final adjustment.



GO RHINO®

INSTALLATION INSTRUCTIONS

Step-11 Attach the Roadline fender and auxiliary bracket to the vehicle body panel using (2) ¼" x 1" hex bolts, (2) ¼" flat washers, and (2) ¼" locking hex nuts , (ILLUSTRATION 11).



Step-12 Attach the remaining holes in the Roadline fender to the vehicle body panel using the supplied ¼" x 1" hex bolts, flat washers and locking hex nuts.

Step-13 Tighten all nuts and bolts securing the Roadline fender, support bracket and auxiliary bracket to the vehicle.

Step-14 Reconnect the wiring harness to the side marker light

GORRHINO®

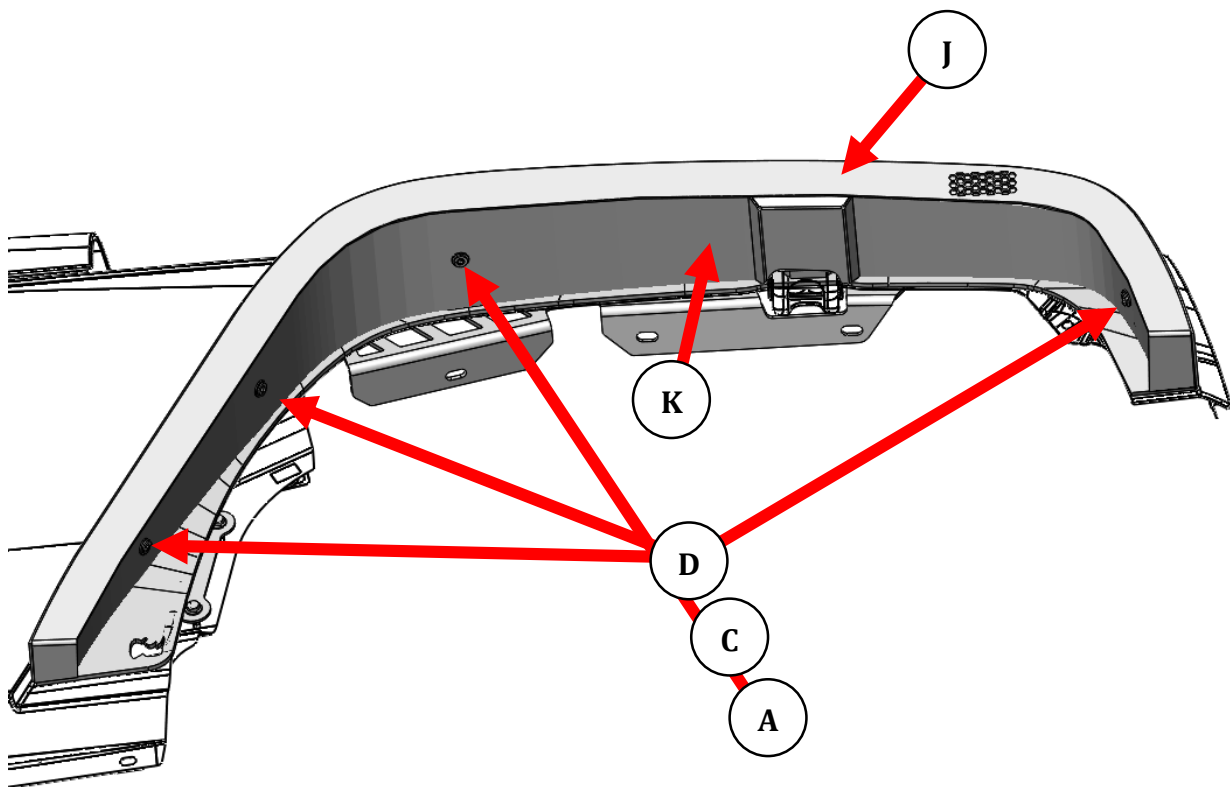
INSTALLATION INSTRUCTIONS

Step-15 Attach the fender liner to the underside of the Roadline fender using (4) ¼" x 3/4" button head bolts, (5) ¼" lock washers and (5) ¼" flat washers, (ILLUSTRATION 12).

Step-16 Tighten all bolts securing the fender liner to the Roadline fender.

Repeat the steps to install the Roadline fender on the driver side of the vehicle.

ILLUSTRATION 12





INSTALLATION INSTRUCTIONS

LIMITED WARRANTY

Go Rhino warrants to Buyer that for a period of five (5) years from the date of shipment of the product(s) ("Warranty Period") for black finishes and chrome finishes, that such products will materially conform to the specifications set forth in Go Rhino's specifications in effect as of the date of shipment(s) and will be free from material defects in material workmanship.

Go Rhino warrants to Buyer that for the life of the product(s) from the date of shipment of the product(s) ("Warranty Period") for polished stainless steel finished products purchased after April 2004, that such products will materially conform to the specifications set forth in Go Rhino's specifications in effect as of the date of shipments and will be free from material defects in material workmanship.

Warranty claims must be accompanied with the original invoice and photos of the product. It is the customer's responsibility to clean regularly and protect finish with regular applications of a nonabrasive polish that is compatible with the product's finish.

This warranty covers the cost of the product only and does not include the cost of removal, installation, third party modifications or shipping of the product. In no event shall Go Rhino be liable to buyer or any third party for any damage or harm caused by the product or use thereof, regardless of weather such damages were foreseeable and whether or not Go Rhino has been advised of the possibility of such damages, not withstanding the failure of any agreed or other remedy of its essential purpose. This warranty is void if the product shows signs of alteration, misuse, mishandling, improper care, neglect, improper application and/or damage due to improper installation.

With respect to any such product(s) during the limited warranty period, Go Rhino shall, in its sole discretion, either: (i) provide a one-time repair or replacement of such products (or the defective part) or (ii) credit or refund the price of such products at the pro rata contract rate provided that, if Go Rhino so requests, Buyer shall, at Go Rhino's expense, return such product(s) to Go Rhino. The remedies shall be the Buyer's sole and exclusive remedy and Go Rhino's entire liability for any breach of the limited warrant(ies).

Go Rhino disclaims all other warranties except to the extent that any such warranty cannot be validly disclaimed under applicable law.

Finish Limited Warranty:

Limited lifetime on stainless steel products (after April 2004)

5 year warranty on black powder coat products

5 year warranty on chrome products

This warranty does not cover exposed welds

Finish warranty covers peeling, flaking, or cracking. Washing all finishes regularly with car wash soap and rinsing well with water is the best method for maintaining the finish on your products. You must also protect the finish with nonabrasive automotive wax on a regular basis. The use of any compound which contains abrasives becomes a self-defeating exercise as the compound scratches the finish and opens it to corrosion. The use of harsh chemicals used to remove bugs and tar may also cause the finish to fail and should be avoided.

If you are unsatisfied with your purchase please contact the establishment you purchased the product from.

If you need to place a warranty claim or need assistance, the Go Rhino customer service team will answer any questions you may have. Please contact the Go Rhino customer service team at 1-888-427-4466 during normal business hours Monday thru Friday 7 am to 5 pm PST. You may also email warranty@gorhino.com. In order to better serve you please provide a copy of the original invoice / receipt, a photo of the issue you are experiencing and a photo of the vehicle the product is installed on.

All warranty returns must have an approved RGA number. The RGA number must be clearly marked on the exterior of the return package. All approved warranty returns must be shipped to Go Rhino Products, 1002 Carriers Drive, Laredo, Texas 78045.

PRODUCT REGISTRATION

Please remember to register your new purchase. You may register your product at www.gorhino.com. Registering your product may help speed any future warranty or customer service inquiries.

Thank you again for purchasing from Go Rhino Products

Please take a few minutes to view additional products for your vehicle and more at GORHINO.com
These installation instructions are available on the Go Rhino web site along with installation videos for many of our products.

www.gorhino.com

www.bigcountryauto.com

www.gorhinopd.com