

ROUGH COUNTRY

24 -Up Toyota Tacoma 5' Bed Cap

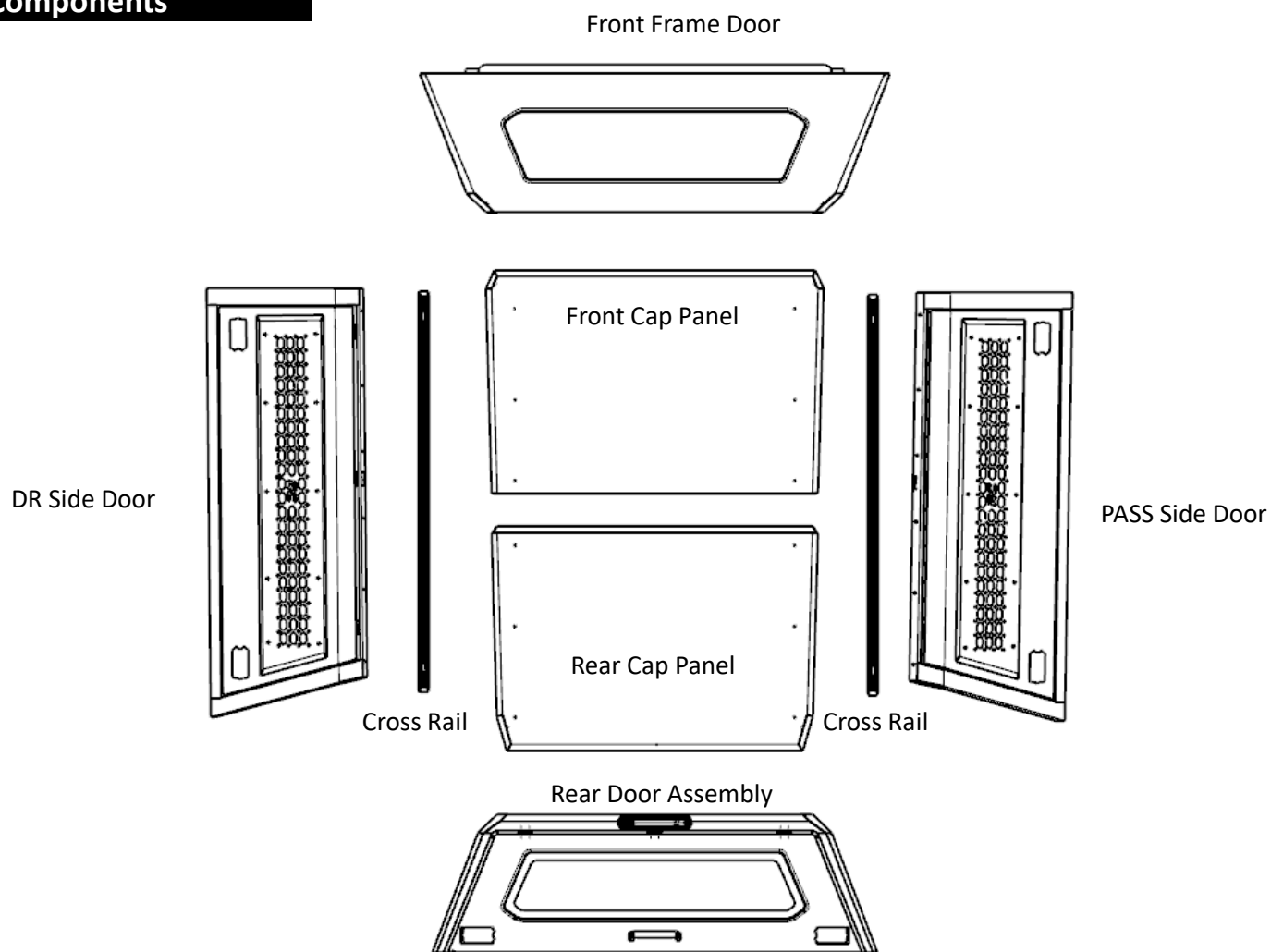
Thank you for choosing Rough Country for all your vehicle needs.

Please read instructions before beginning installation. Check the kit hardware against the kit contents shown below. Be sure you have all needed parts and know where they go. If question exist, please call us @1-800-222-7023. We will be happy to answer any questions concerning this product. Check all fasteners for proper torque. Check to ensure for adequate clearance between all components. Periodically check all hardware for tightness.

Care and Cleaning

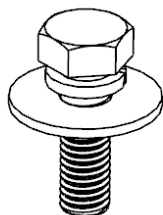
- Mild soap may be used also to clean the Product.
- Periodically check hardware for tightness.

Components



INSTALLATION INSTRUCTIONS

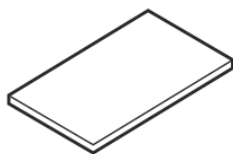
- **Hardware kits for the bed cap**



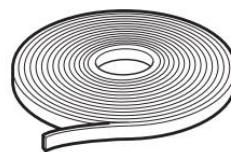
8mmx25mm
Combo Kits X39



Sealing Strip X1



Black Short Pads X6



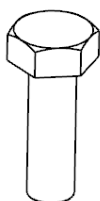
Foam Seal Tape X1



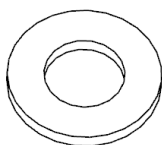
Adhesion
promoter x1

- **Bottom Sealing Strip, Bottom Short Pads, Foam Seal Tape**

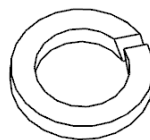
- **Hardware kits for the Front/Rear Roof Top**



8mmx25mm Hex Bolts X5

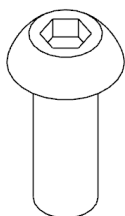


8mm Flat Washers X5

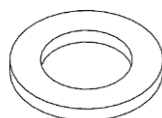


8mm Lock Washers X5

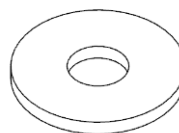
- **Hardware kits for the cross rail**



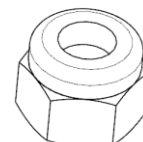
6mmx16mm Allen Bolts X12



Plastic 6mm Flat Washers X12



6mm Flat Washers X12



6mm Lock Nuts X12

- **Tools**



Ratchet



Extensions



17 mm Socket

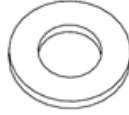
INSTALLATION INSTRUCTIONS

STEP 1

Install the front roof top bed cap panel and the rear roof top bed cap panel, align with each other and install hardware, do not tighten the hardware.



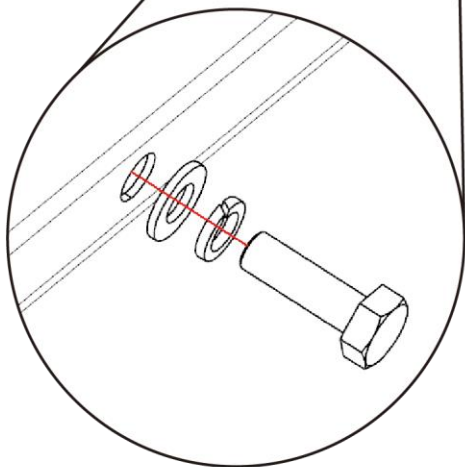
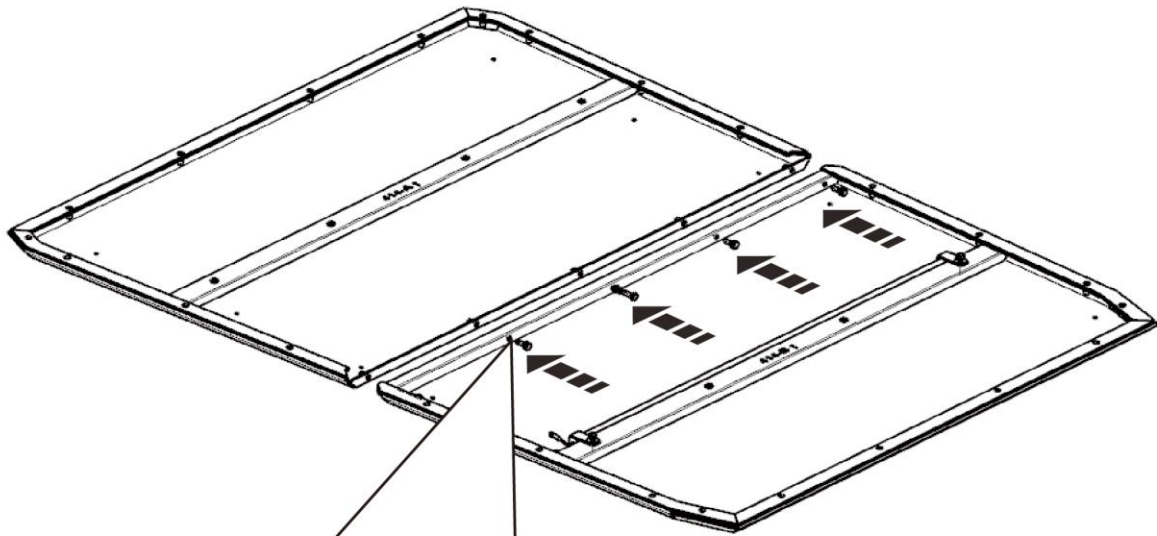
8mmx25mm Hex Bolts X5



8mm Flat Washers X5



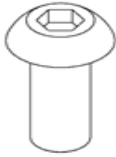
8mm Lock Washers X5



Align the mounting holes of the front bed cap panel and the rear bed cap panel

STEP 2

Install the Utility rail on the bed cap top panels by inserting the supplied 6 mm x 16 mm Bolts / 6 mm plastic washers in the rail from the top and secure the rail to the bed cap top panel with the 6 mm flat washers and 6 mm Flange lock nuts.

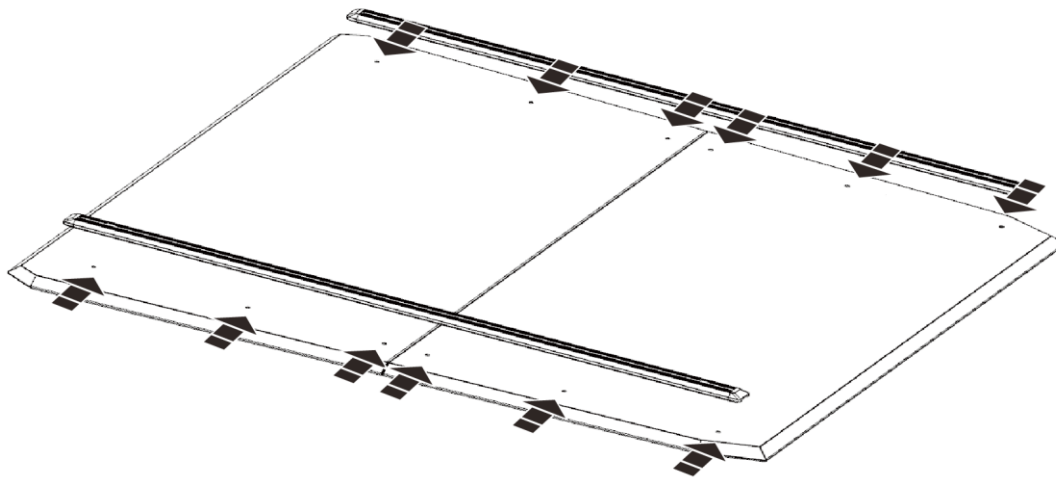


6mmx16mm Allen Bolts X12

Plastic 6mm Flat Washers X12

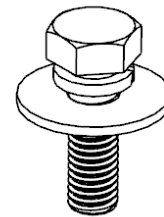
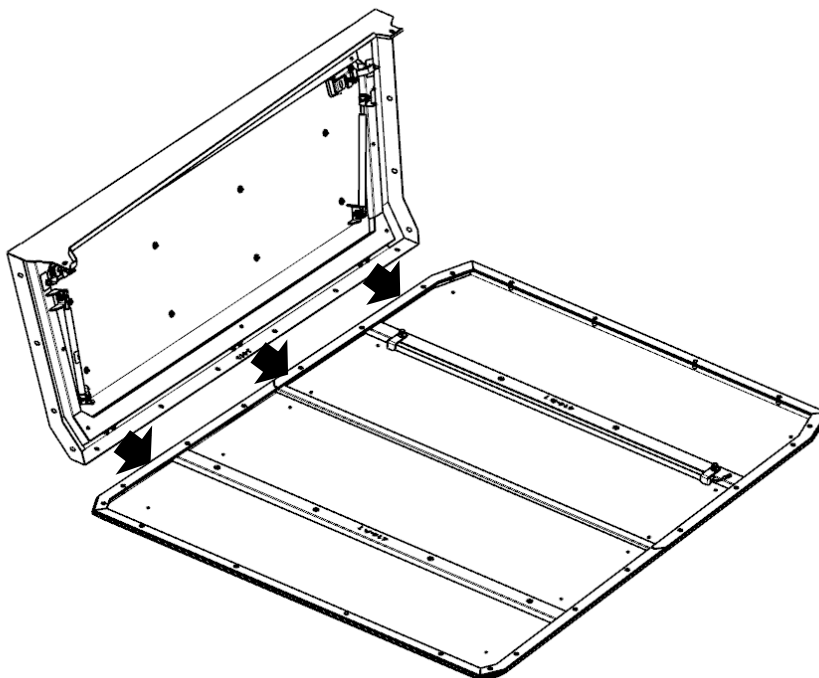
6mm Flat Washers X12

6mm Lock Nuts X12



STEP 3

Install the DR Side Door to the bed cap roof panel, do not tighten the hardware.



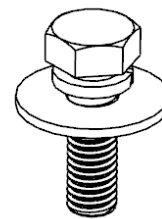
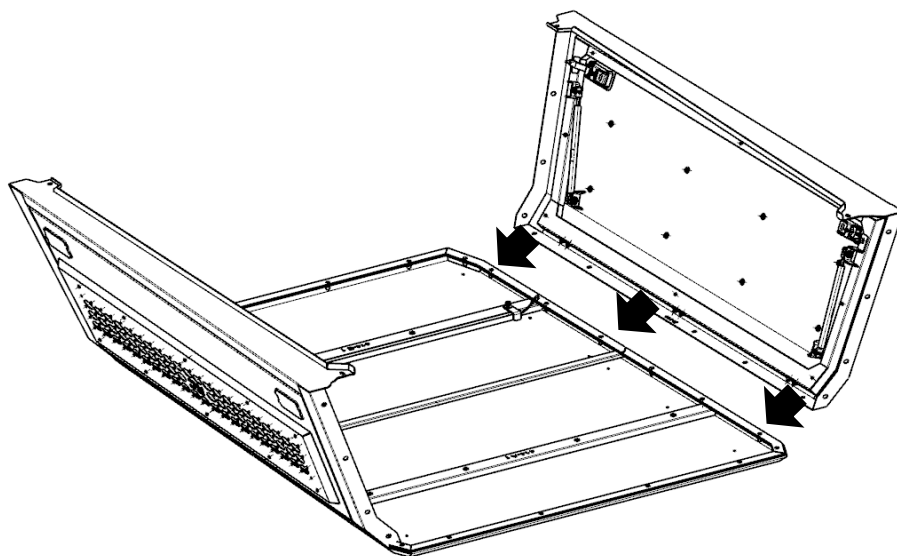
X 6

8 mm x 25 mm Bolt, Lock washer and Flat Washer

INSTALLATION INSTRUCTIONS

STEP 4

Install the PASS Side Door to the bed cap roof panel, do not tighten hardware.

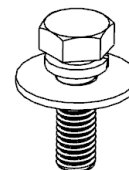
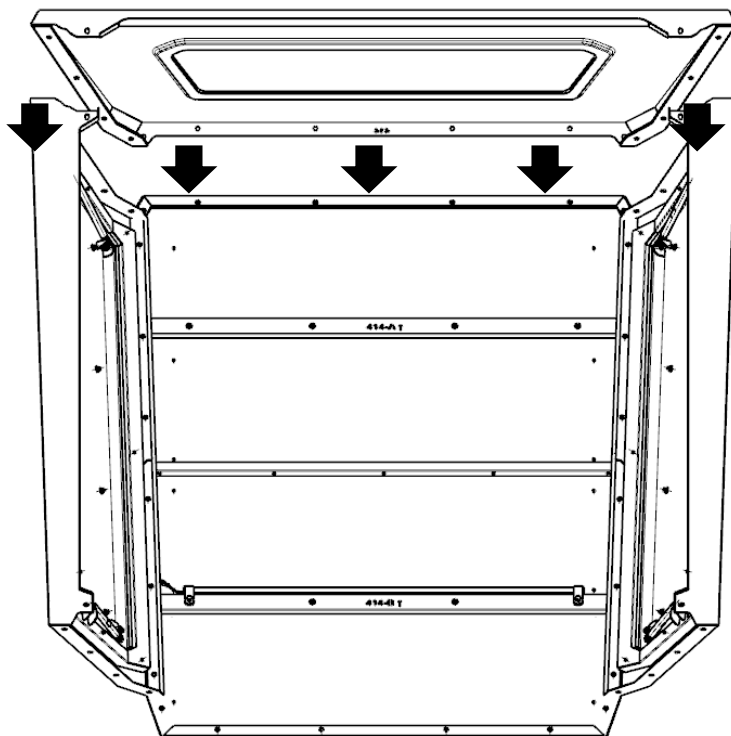


X 6

8 mm x 25 mm Bolt, Lock washer and Flat Washer

STEP 5

Install the front frame to the bed cap assembly, do not tighten the hardware.

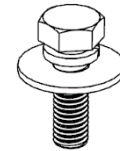


X 13

8 mm x 25 mm Bolt, Lock washer and Flat Washer

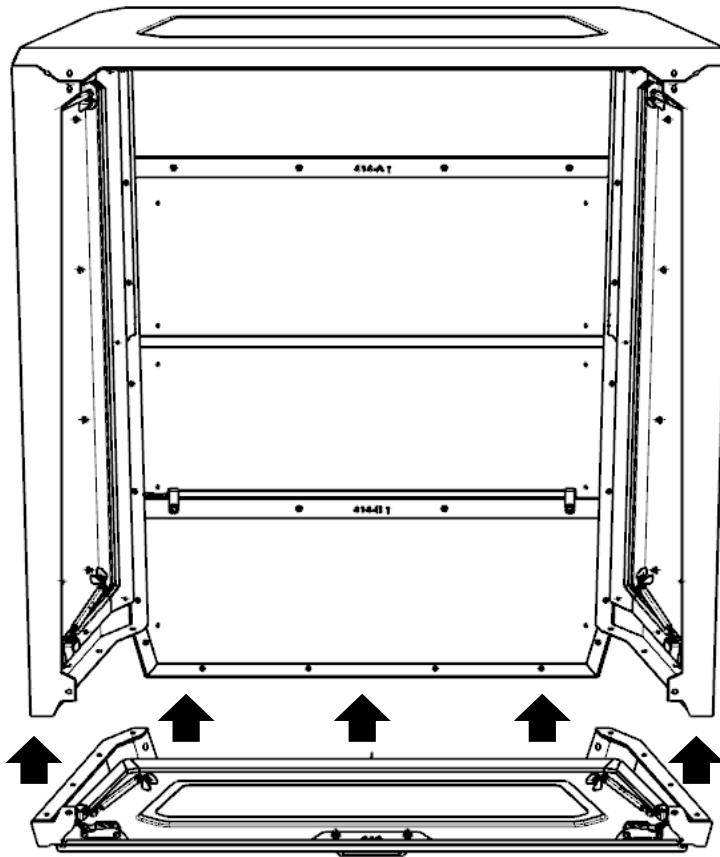
STEP 6

Install the rear door assembly to the bed cap assembly, do not tighten the hardware.



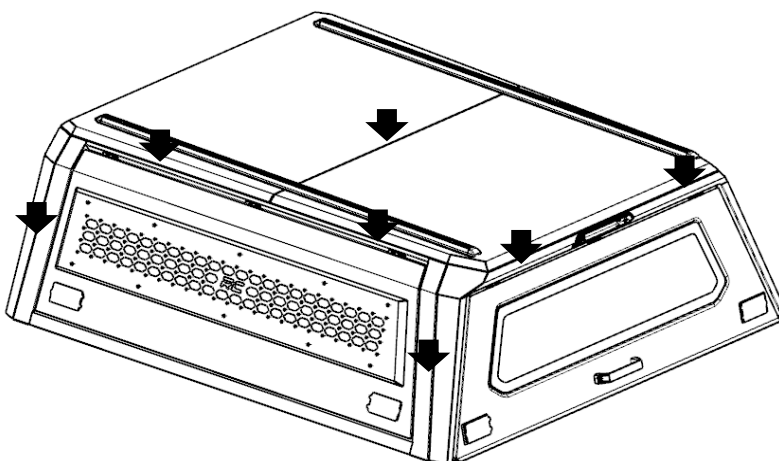
X 14

8 mm x 25 mm Bolt, Lock washer and Flat Washer



STEP 7

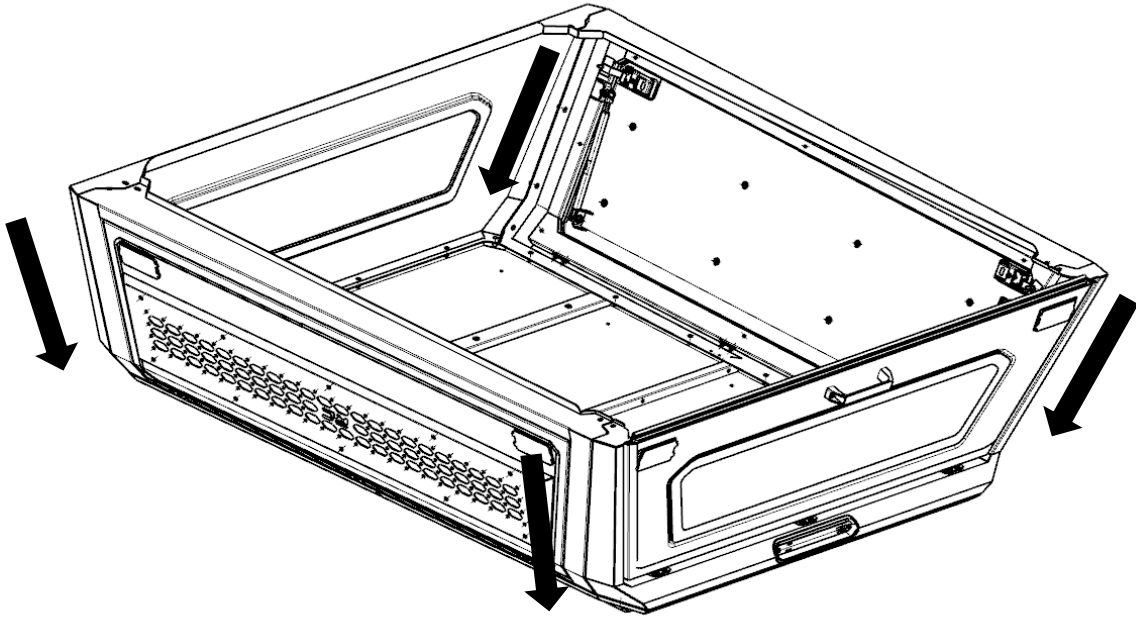
Adjust the gap of each panel ensuring the bolt holes / panels are aligned. Tighten hardware. The same method will be used for the opposite side.



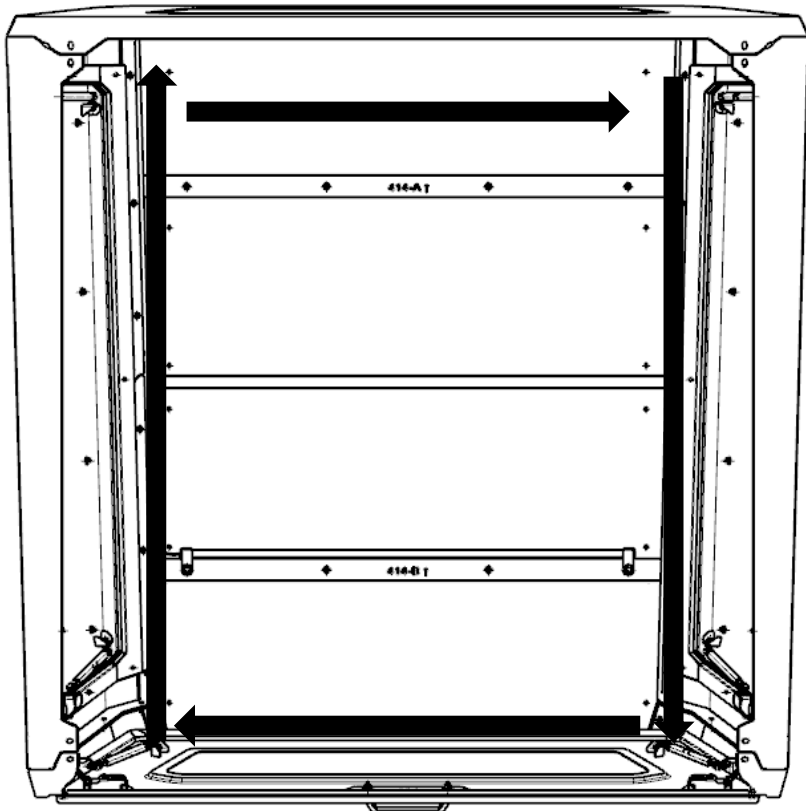
Align all panels

INSTALLATION INSTRUCTIONS

➔ Tighten the (16) bolts of the bed cap then proceed to the top panel hardware.

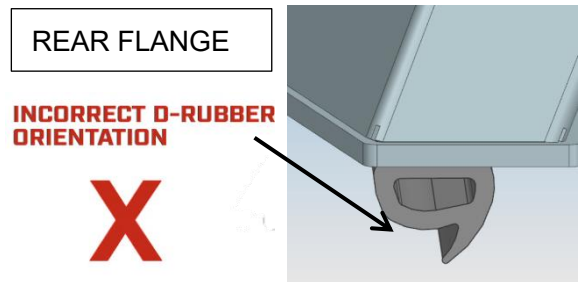
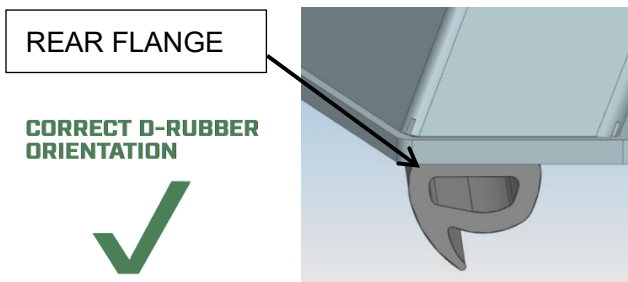


➔ Tighten (23) bolts of top panel as shown below.



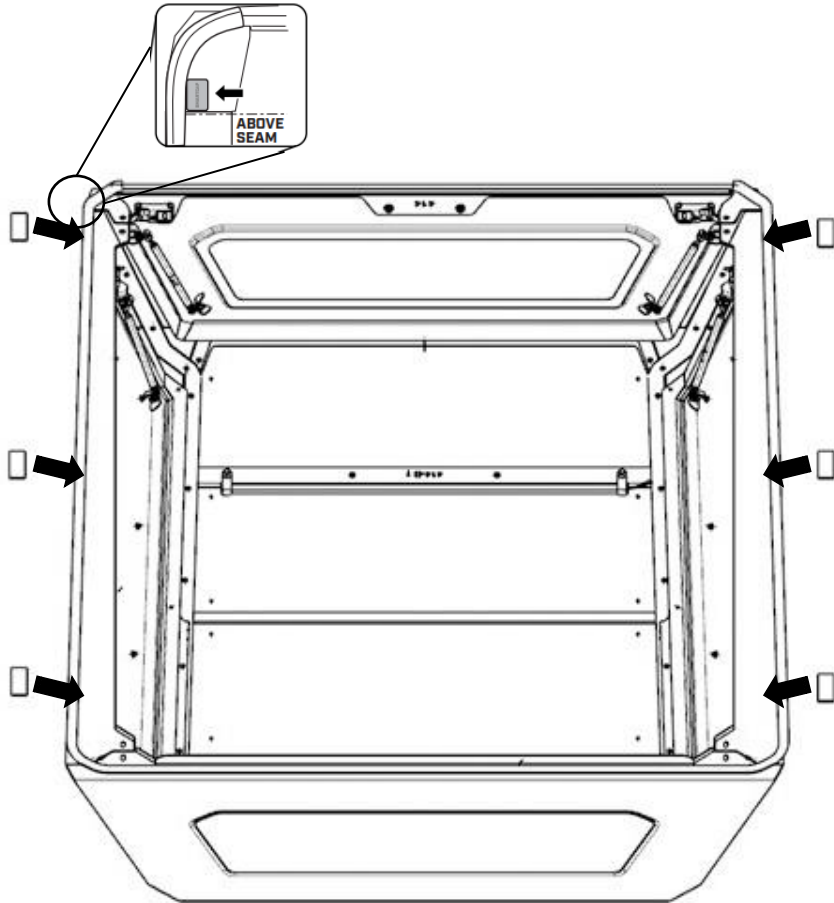
STEP 8

Wipe and clean the bottom of the bed cap. Apply adhesive promoter evenly around the area where the Sealing strip needs to be applied, Apply the Sealing Strip to the bottom paying attention to the location and orientation of the strip. See below.



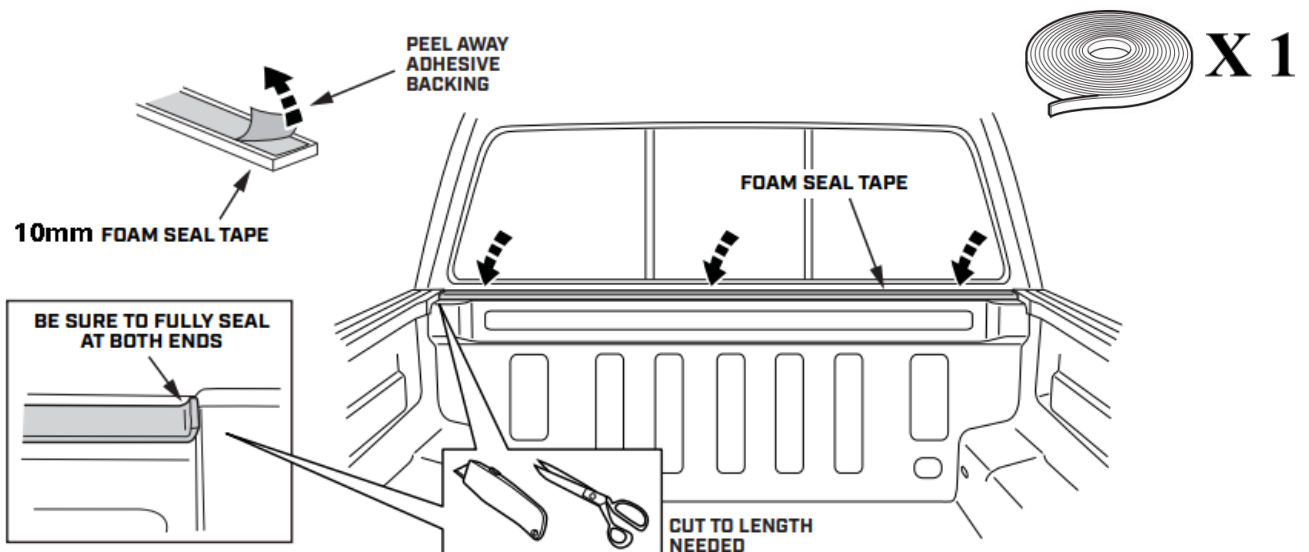
STEP 9

Place the short pads along the inside of the sealing strip previously installed at the indicated locations. This is performed to give the bed cap a firm location to rest and protect the bed of the vehicle.



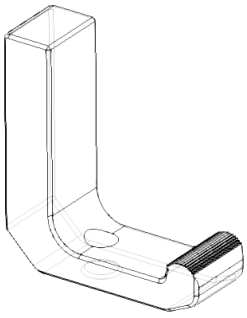
STEP 10

Apply the Foam Seal Tape to the top of the bulkhead on the truck bed and trim any excess if needed.



INSTALLATION INSTRUCTIONS

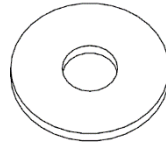
- **Mounting brackets and hardware**



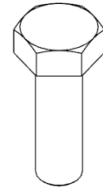
Bottom Brackets x6



Upper Brackets x6



10mm Flat Washers x6

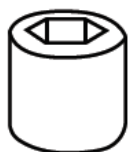


10mmx70mm Hex Bolts

- **Tools**



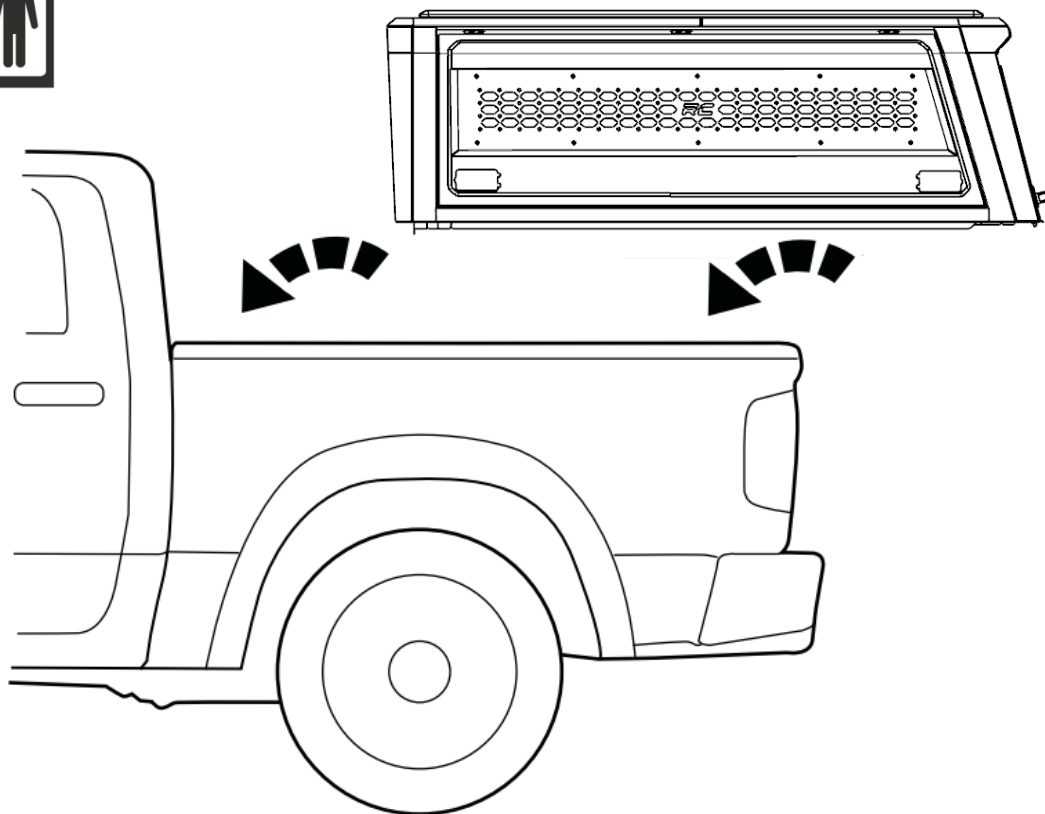
Ratchet



17mm Socket

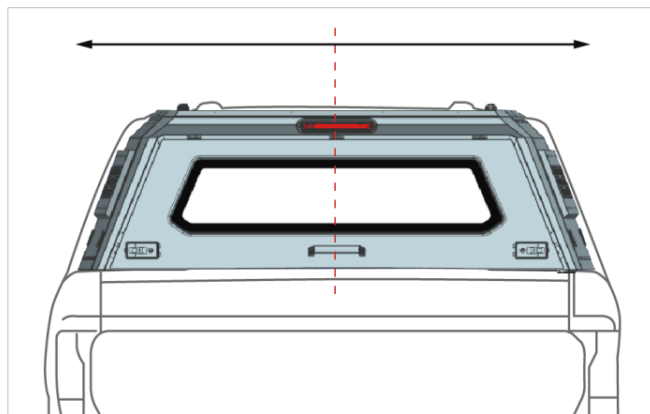
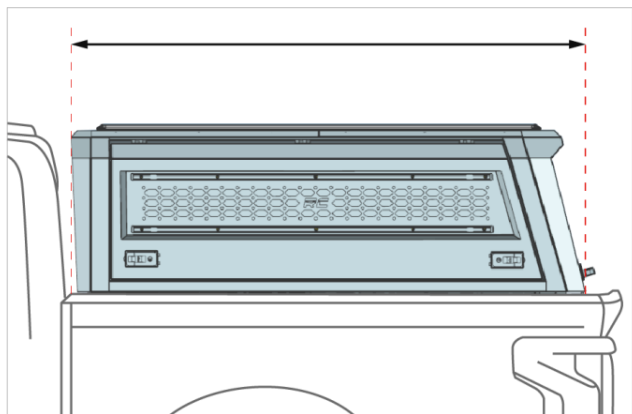
STEP 11

It is recommended to use four people to lift the assembled bed cap onto the bed of the vehicle. To avoid damaging the bottom sealing strip, do not slide the bed cap lid into position.



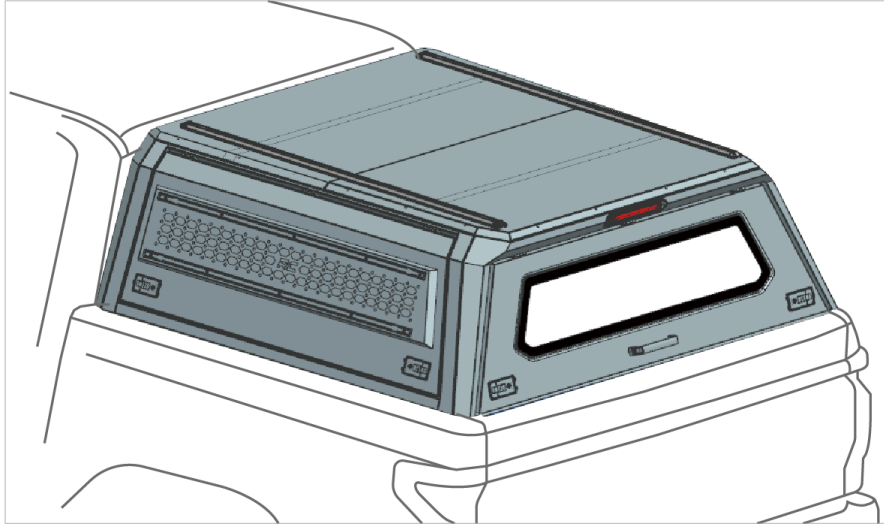
STEP 12

Check the position of the bed cap with the vehicle and center if needed. Do NOT slide the bed cap as that could cause damage to the lower seal. Please note that there should be a gap of 16mm or more between the bed cap and the cab. Do NOT push the bed cap too close to the cab.



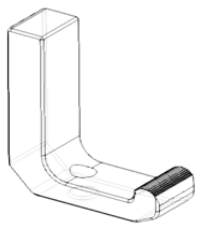
STEP 13

Walk around the bed cap and bed to ensure that the bottom seal strip is installed correctly and the strip is properly inserted under the bed cap.



STEP 14

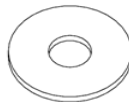
Install the Bottom Brackets and Upper Brackets to the bed cap by using the supplied 10mm flat washers/ 10mmx70mm hex bolts (The same method will be used for the opposite side.)



Bottom Brackets x6



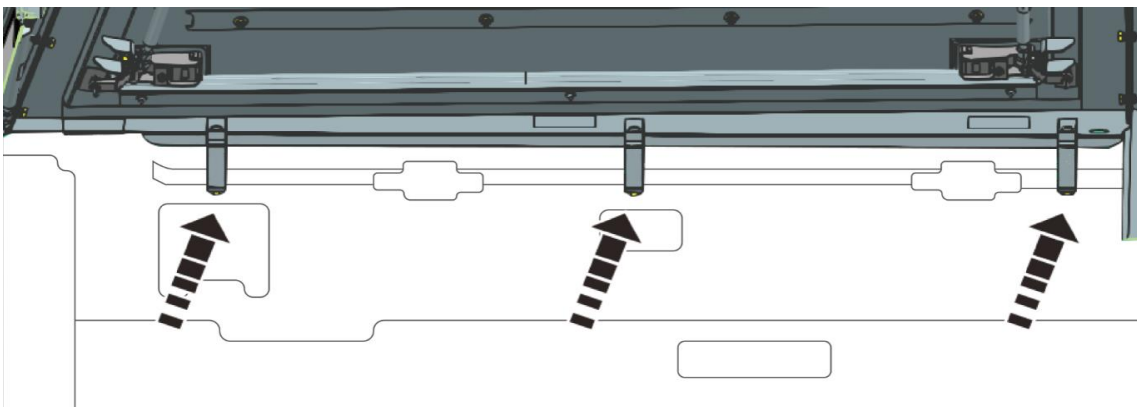
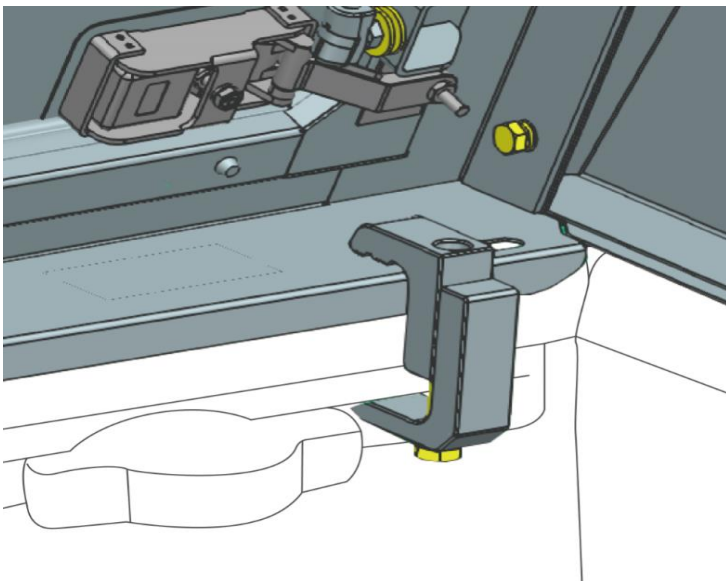
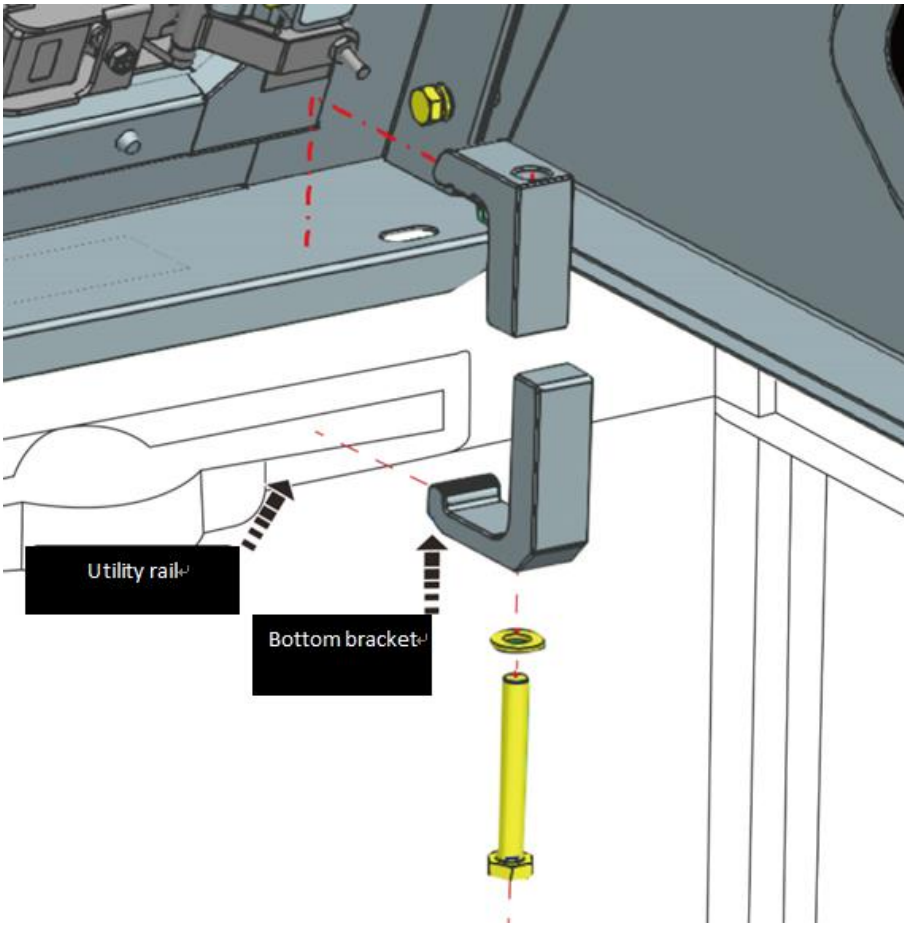
Upper Brackets x6



10mm Flat Washers x6



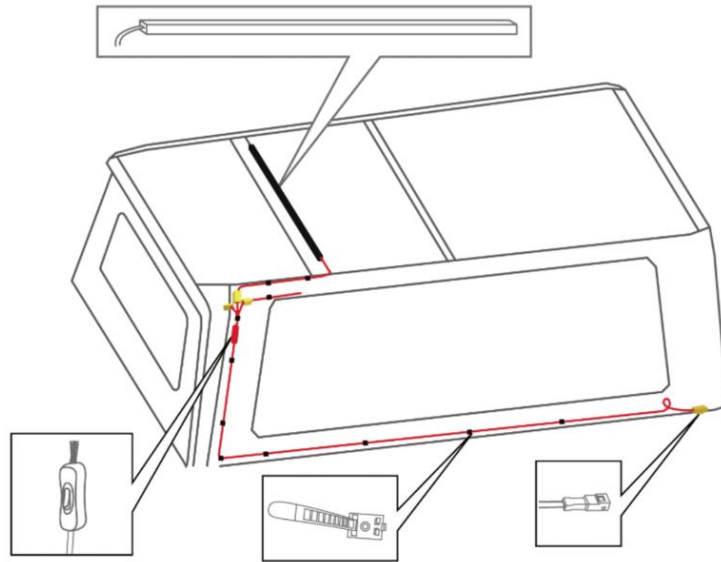
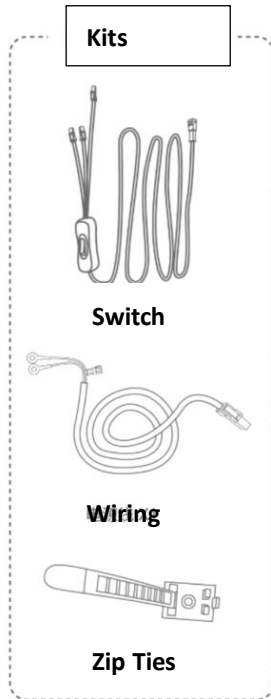
10mmx70mm Hex Bolts



INSTALLATION INSTRUCTIONS

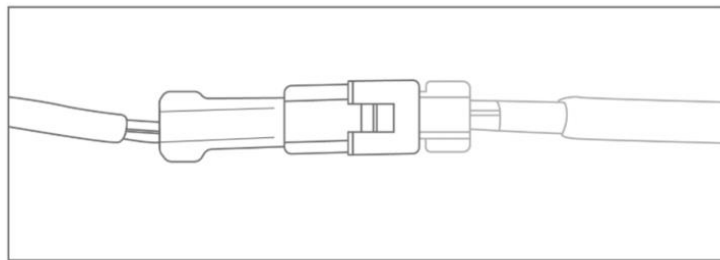
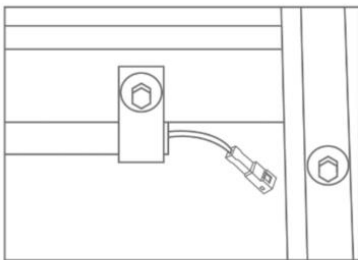
STEP 15

Peel off the backing on the adhesive back of the switch and position the switch onto the bed cap panel. Using zip ties, secure the wire onto the bed cap.



STEP 16

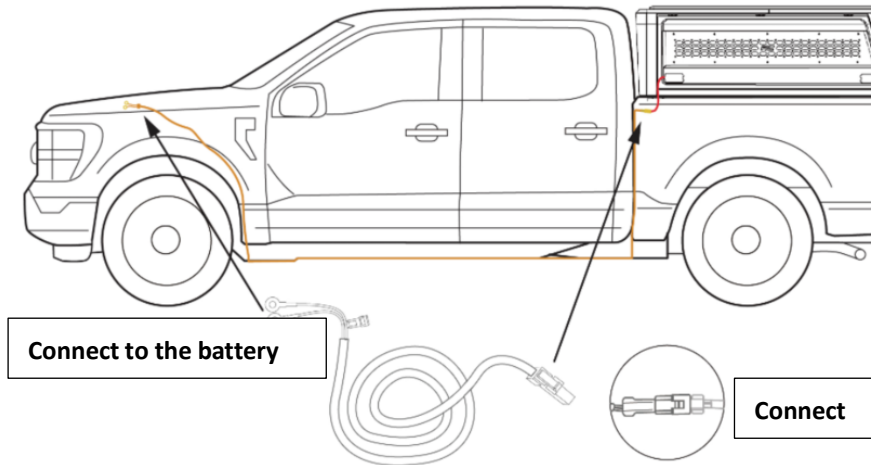
There are three plugs connected together on the switch. Connect the plug with the House label on the wire to the plug of the light strip. The other two plugs are for the optional side shelf unit and side storage unit with molle panel.



STEP 17

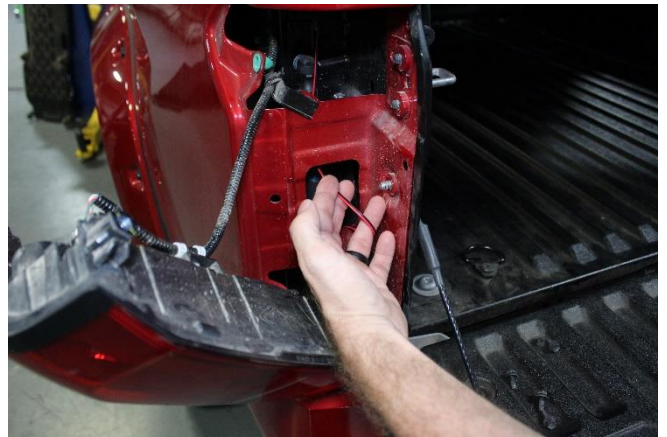
Connect the plug on the wiring to the separate plug on the switch, then route the wiring from the rear of the vehicle along the bottom of the vehicle taking care to route away from excessive heat and moving components. Route to the battery position or other 12-volt source on the vehicle. Connect the positive and negative of the wiring to the positive and negative terminals of the battery or 12-volt source. (See Next Page)

INSTALLATION INSTRUCTIONS

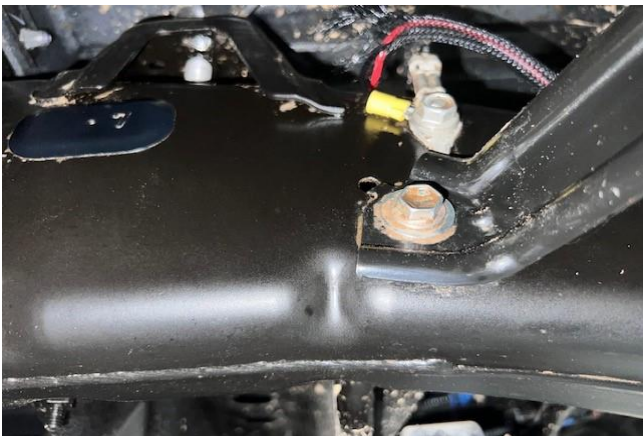


STEP 18

Remove the tail light by removing the two bolts on the inside bed with a 10mm socket. Pull the two wires of the brake light along the edge of the bed cap and route into the driver side tail light mounting area through the bed. Route the brake light harness toward the back of the cab along the frame taking care to keep the harness out of harm's way. Place the tail light back into position and tighten using a 10mm socket.



Near the bumper support bracket, locate the ground on the frame. Remove the bolt from the frame using a 12mm wrench. Secure the black ground from the bed cap harness on the bolt and re-tighten the ground bolt. Remove the driver side rear door entry guard.



INSTALLATION INSTRUCTIONS

Route the red wire through the rubber plug in the floor.

Locate the light teal wire and using a wire-tap, connect the red wire to the teal wire.



Tuck the wiring harness back into place and replace the plastic entry guard cover.

By purchasing any item sold by Rough Country, LLC, the buyer expressly warrants that he/she is in compliance with all applicable, State, and Local laws and regulations regarding the purchase, ownership, and use of the item. It shall be the buyer's responsibility to comply with all Federal, State and Local laws governing the sales of any items listed, illustrated or sold. The buyer expressly agrees to indemnify and hold harmless Rough Country, LLC for all claims resulting directly or indirectly from the purchase, ownership, or use of the items.