

INSTALLATION INSTRUCTIONS

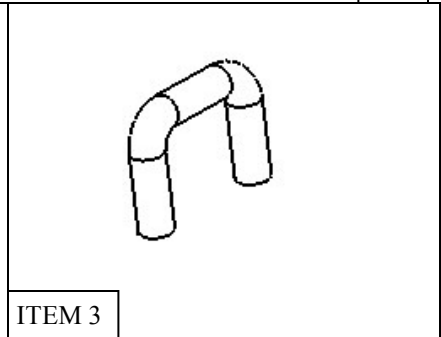
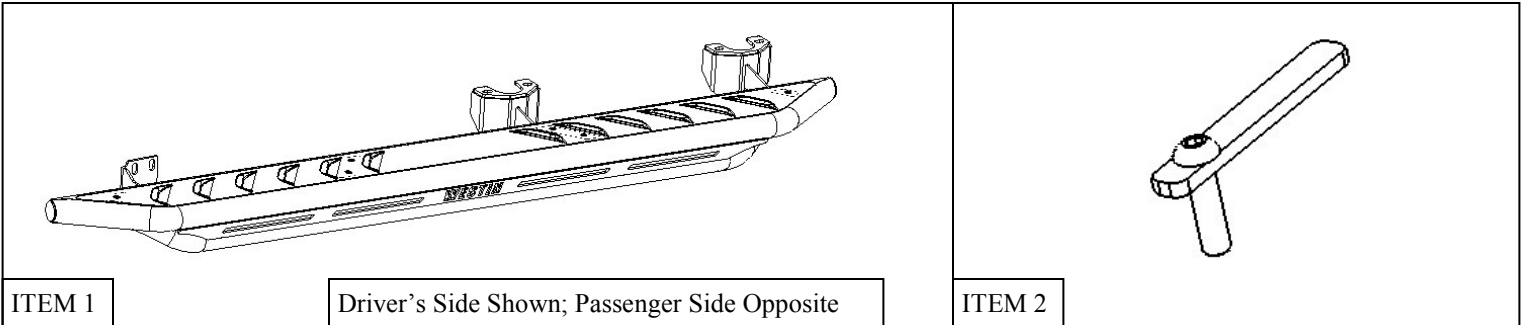
TRIPLE TUBE ROCK RAILS



APPLICATION:
2018 Jeep Wrangler JL Unlimited 4-Door
PART NUMBER:
42-6025

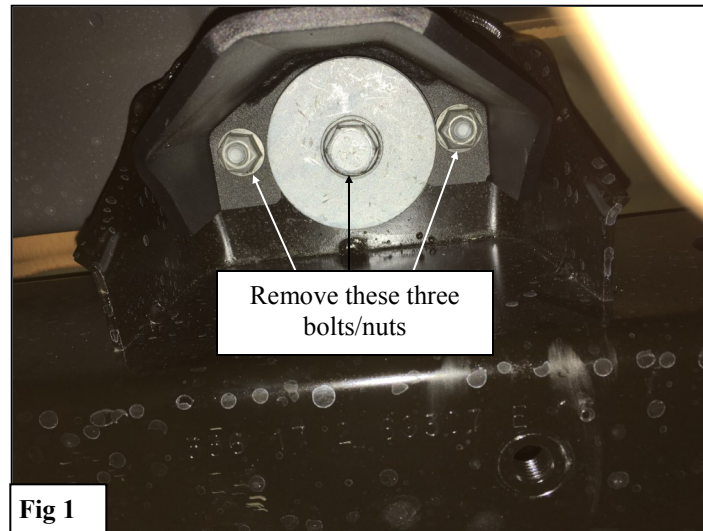
CONTENT			
ITEM	QUANTITY	DESCRIPTION	TOOLS NEEDED
1	2	STEP BAR ASSEMBLY (1 PASSENGER, 1 DRIVER)	18MM SOCKET
2	2	M12 BOLT PLATE	18MM WRENCH
3	2	M10 U-BOLT	16MM SOCKET
4	2	M12 HEX NUT	16MM WRENCH
5	2	M12 FLAT WASHER	RATCHET
6	2	M12 SPLIT LOCK WASHER	TORQUE WRENCH
7	4	M10 FLAT WASHER	
8	4	M10 HEX NUT	
9	4	M10 SPLIT LOCK WASHER	
10	2	M12 POLY RETAINER	
11	4	M10 POLY RETAINER	

ANTI-SEIZE LUBRICANT MUST BE USED ON ALL STAINLESS STEEL FASTENERS TO PREVENT THREAD DAMAGE AND GALLING

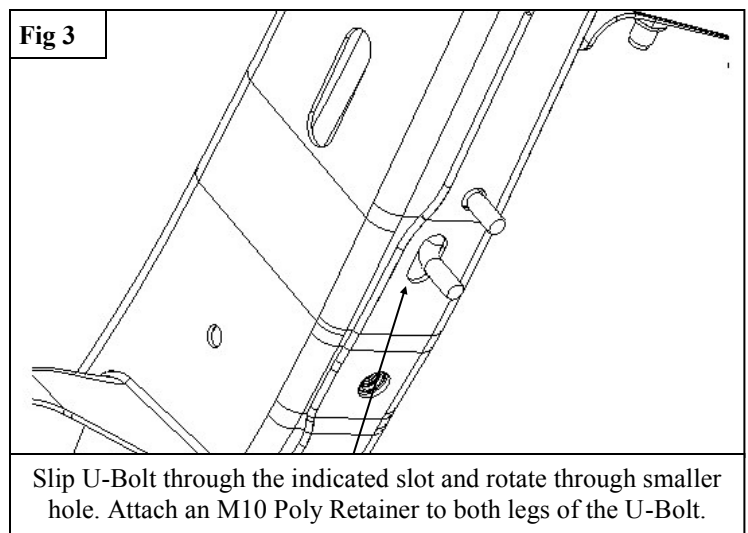
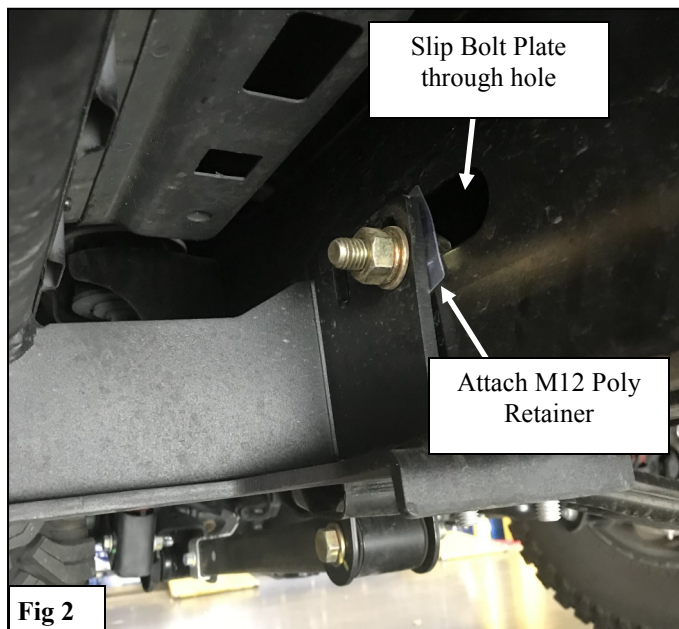


PROCEDURE

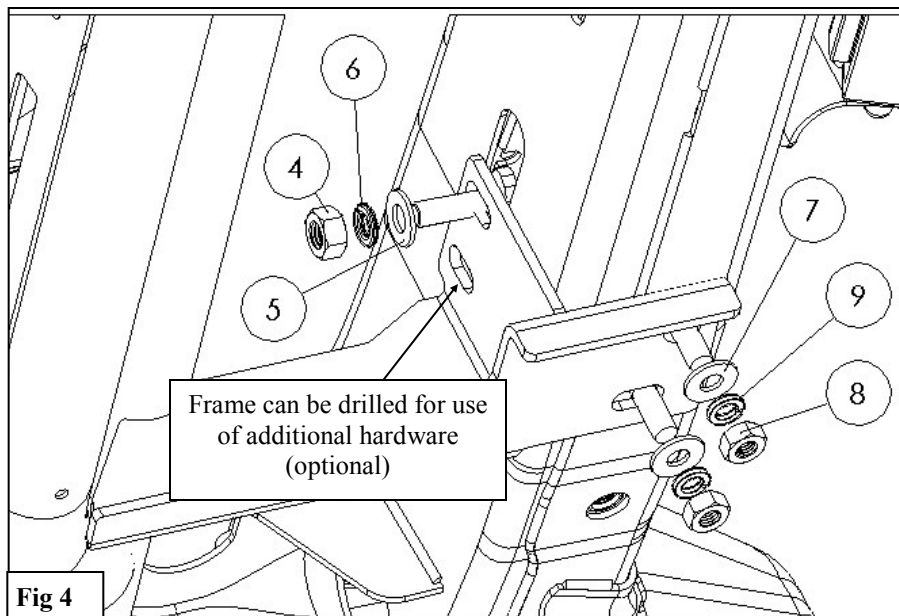
1. Remove contents from box, verify if all parts listed are present and free from damage. Carefully read and understand all instructions before attempting installation.
Failure to identify damage before installation could lead to a rejection of any claim.
2. **BE SURE TO REMOVE ANY OEM OR PREVIOUS AFTERMARKET STEP BARS OR ROCK RAILS PRIOR TO INSTALLATION.**
3. Remove the factory M12 body mount bolt and factory M10 nuts where the Triple Tubes will be mounted. See **Figure 1**.



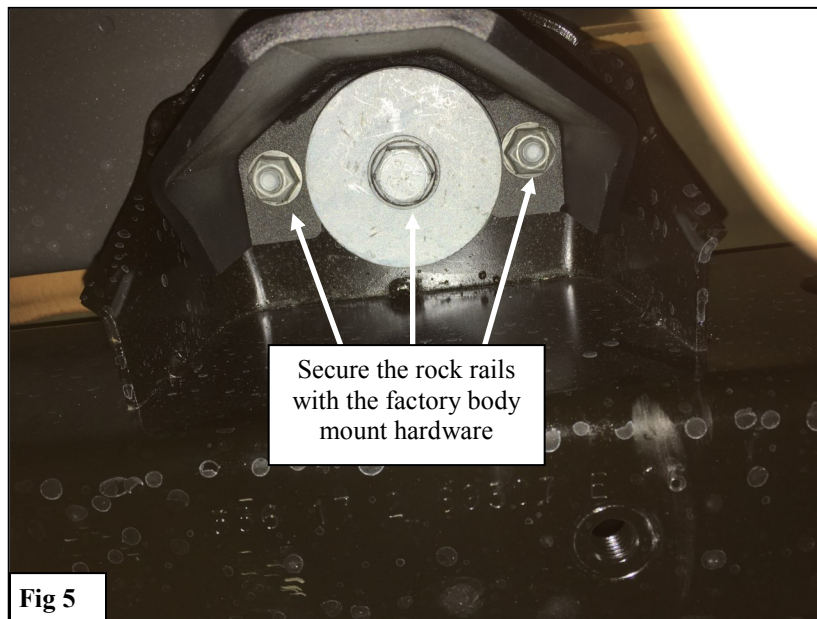
4. Slip the M12 Bolt Plate (2) through the frame and attach an M12 Poly Retainer (10). See **Figure 2**
5. Fish an M10 U-Bolt (3) through the mounting hole on the frame and rotate it through the second hole. Attach two M10 Poly Retainers (11). See **Figure 3**



6. Lift the Step Bar Assembly (1) into place and align the mounting locations.
7. Use the supplied M10 and M12 hardware to loosely secure the front mounting bracket. **See Figure 4** *Note: The second hole in the bracket is an optional location for drilling and additional hardware if desired.*



8. Use the factory hardware to loosely secure the two body mount brackets as shown in **Figure 5**.
9. Repeat all steps for the Passenger Side.
10. Align and adjust step board to desired location, and torque ; M10 hardware to 32 ft-lbs, and M12 hardware to 55 ft-lbs. Factory hardware will be torqued; M10 to 45ft-lbs, and M12 to 78 ft-lbs



CARE INSTRUCTIONS

- REGULAR WAXING IS RECOMMENDED. DO NOT USE ANY TYPE OF POLISH OR WAX THAT MAY CONTAIN ABRASIVES
- STAINLESS STEEL PRODUCTS CAN BE CLEANED WITH MILD SOAP AND WATER. STAINLESS STEEL POLISH SHOULD BE USED TO POLISH SMALL SCRATCHES.
- GLOSS BLACK FINISHES SHOULD BE CLEANED WITH MILD SOAP AND WATER

INSTALLATION COMPLETE





WARNING



Failure to follow these instructions could lead to death, personal injury, and / or property damage.

Failure to follow these instructions could lead to death, personal injury, and / or property damage.

FASTENERS:

All Westin supplied fasteners must be utilized and installed in accordance with the installation instructions and apply torque to the specifications as defined. **DOUBLE CHECK ALL FASTENERS BEFORE INITIAL USE, AND PERIODICALLY IN THE FUTURE TO ENSURE PROPER FUNCTION AND SAFETY.**

DRILLING:

Most Westin products do not require drilling for installation. If drilling is defined as required, use caution when drilling a vehicle. **FAILURE TO REVIEW AN AREA TO BE DRILLED MAY RESULT IN PERSONAL INJURY AND/OR INJURY TO OTHERS AS WELL AS VEHICLE DAMAGE.**

EYE PROTECTION:

ALWAYS WEAR SAFETY GLASSES OR GOGGLES DURING THE INSTALLATION PROCESS TO AVOID PERSONAL INJURY.

MAXIMUM TOWING/CARRYING CAPACITY:

The Westin Receiver Hitches will have a visible tow rating label affixed directly on the product. User should never exceed the vehicle manufacturers maximum tow and weight rating regardless of the capacity of the hitch. **FAILURE TO FOLLOW THESE GUIDELINES WILL VOID THE WESTIN WARRANTY AND MAY RESULT IN PERSONAL INJURY AND/OR INJURY TO OTHERS AS WELL AS VEHICLE DAMAGE.**



Westin Automotive Products, Inc.
320 W. Covina Blvd
San Dimas, Ca. 91773