

# INSTALLATION INSTRUCTIONS

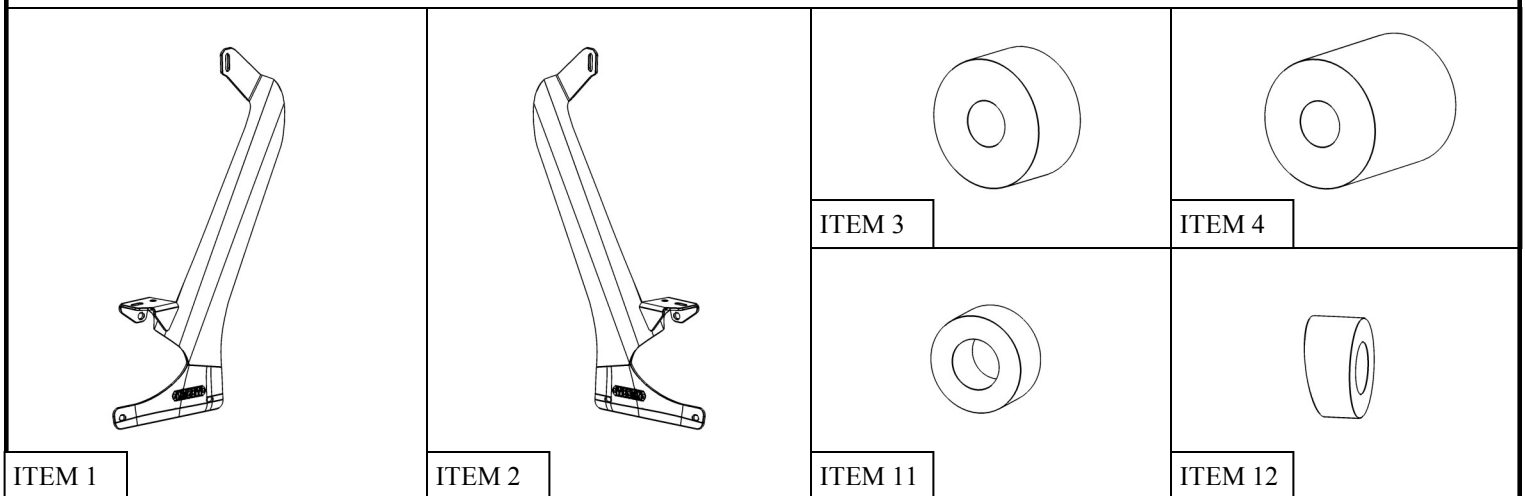
## PILLAR LIGHT MOUNT



**APPLICATION:**  
2018-2019 Jeep Wrangler JL  
**PART NUMBER:**  
62-41085

CONTENT			
ITEM	QUANTITY	DESCRIPTION	TOOLS NEEDED
1	1	DRIVER SIDE PILLAR MOUNT	ALLEN WRENCH
2	1	PASSENGER SIDE PILLAR MOUNT	TORQUE WRENCH
3	2	SMALL 25MM SPACER	
4	2	LARGE 25MM SPACER	
5,6	2	UPPER GASKET (DRIVER, PASSENGER)	
7,8	2	MIDDLE GASKET (DRIVER, PASSENGER)	
9,10	2	LOWER GASKET (DRIVER, PASSENGER)	
11	2	FLAT-CUT 10MM SPACER	
12	2	SLANT-CUT 10MM SPACER	
13	6	LONG M8 BUTTON HEAD SCREW (BLACK ZINC)	
14	6	M8 FLAT WASHER (BLACK ZINC)	
15	6	M8 SPLIT LOCK WASHER (BLACK ZINC)	
16	2	SHORT M8 BUTTON HEAD SCREW (BLACK ZINC)	
17	2	M10 BELLEVILLE WASHER (BLACK ZINC)	
18	4	M10 FLAT WASHER (BLACK ZINC)	
19	2	BINDING SCREW (BLACK ZINC)	
20	2	M8 BUTTON HEAD SCREW (STAINLESS)	
21	1	SPECIAL HEX KEY	

**ANTI-SEIZE LUBRICANT MUST BE USED ON ALL STAINLESS STEEL FASTENERS TO PREVENT THREAD DAMAGE AND GALLING**



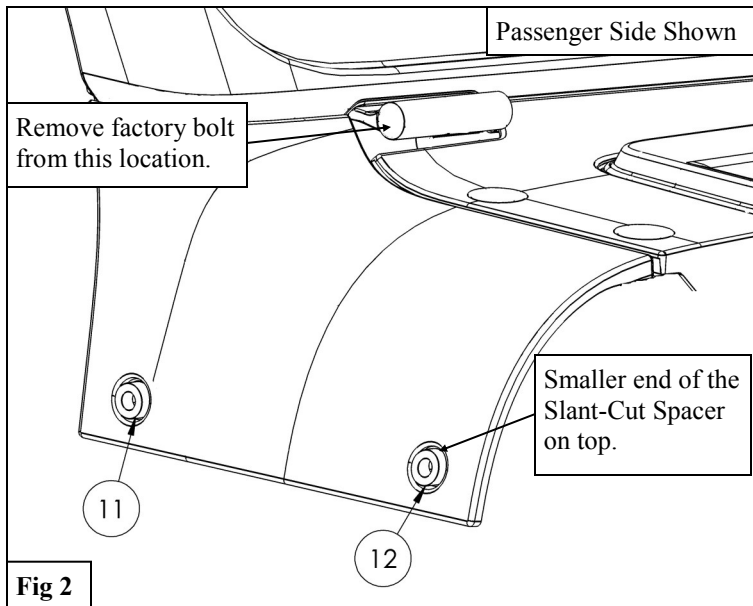
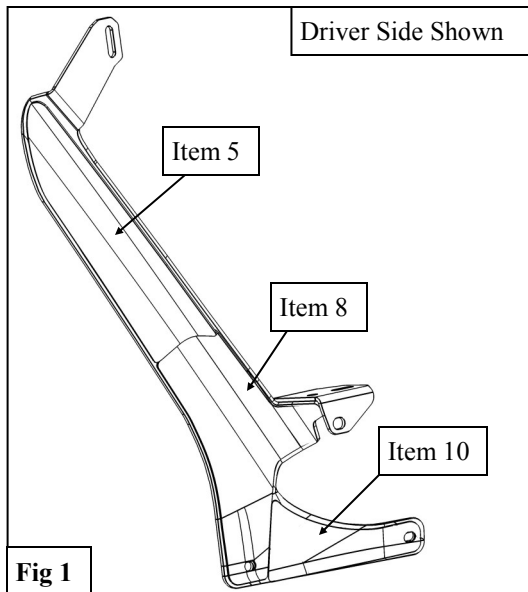
## PROCEDURE

1. Remove contents from box, verify if all parts listed are present and free from damage.

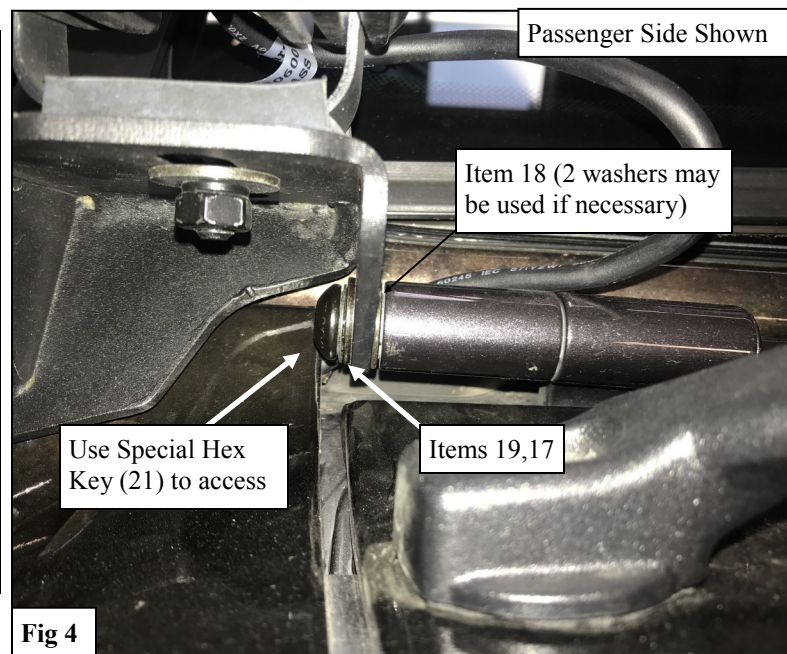
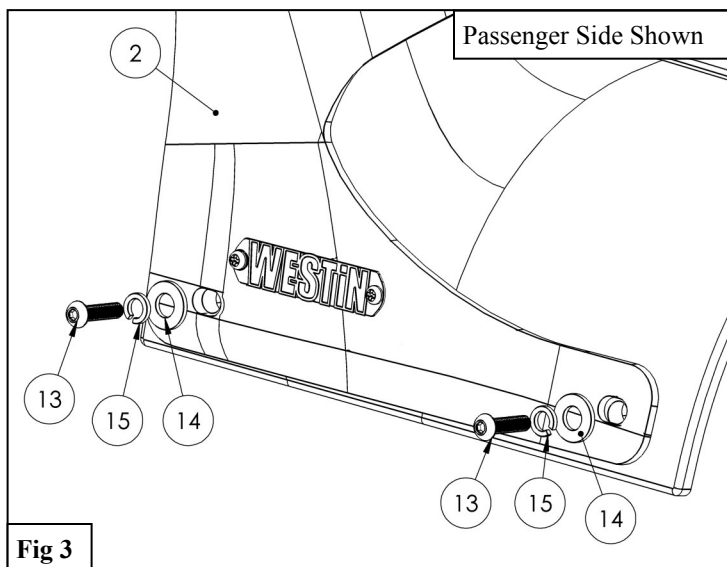
Carefully read and understand all instructions before attempting installation.

**Failure to identify damage before installation could lead to a rejection of any claim.**

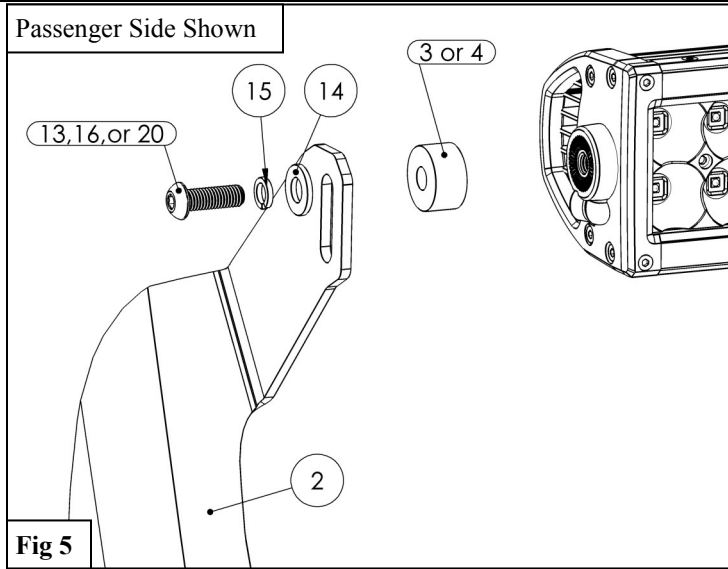
2. Use the supplied Gaskets (5-10) to cover the back side of each Pillar Mount (1,2). See **Figure 1**.
3. Remove the factory bolts for the window hinge and on the side of the cowl and insert the 10mm Spacers (11,12) as shown in **Figure 2**. *Note: The supplied double-sided tape may be used to hold the spacers in place.*



4. Loosely install the Pillar Mount (1,2) to the vehicle using the supplied hardware. See **Figures 3 & 4**.



5. Install your LED Light Bar (sold separately) using the supplied M8 Hardware and 25mm Spacers (3,4) as needed. See **Figure 5**. *Note: Depending on your Light Bar, you may need to use one of the supplied spacers (3,4) as shown. This will also need a different size button head bolt. You may use any of the supplied button head bolts (13,16, or 20) as needed.*
6. Torque all hardware: M8 to 18 ft-lbs, Use regular hex key to fully tighten the Binding Screws (19).



INSTALLATION COMPLETE



**CARE INSTRUCTIONS**

- REGULAR WAXING IS RECOMMENDED. DO NOT USE ANY TYPE OF POLISH OR WAX THAT MAY CONTAIN ABRASIVES.
- STAINLESS STEEL PRODUCTS CAN BE CLEANED WITH MILD SOAP AND WATER. STAINLESS STEEL POLISH SHOULD BE USED TO POLISH SMALL SCRATCHES.
- GLOSS BLACK FINISHES SHOULD BE CLEANED WITH MILD SOAP AND WATER

**WESTIN** Westin Automotive Products, Inc.  
320 W. Covina Blvd  
San Dimas, Ca. 91773

Thank you for choosing Westin products  
for additional installation assistance please call  
Customer Service (800) 793-7846



## WARNING



Failure to follow these instructions could lead to death, personal injury, and / or property damage.

Failure to follow these instructions could lead to death, personal injury, and / or property damage.

### FASTENERS:

All Westin supplied fasteners must be utilized and installed in accordance with the installation instructions and apply torque to the specifications as defined. **DOUBLE CHECK ALL FASTENERS BEFORE INITIAL USE, AND PERIODICALLY IN THE FUTURE TO ENSURE PROPER FUNCTION AND SAFETY.**

### DRILLING:

Most Westin products do not require drilling for installation. If drilling is defined as required, use caution when drilling a vehicle. **FAILURE TO REVIEW AN AREA TO BE DRILLED MAY RESULT IN PERSONAL INJURY AND/OR INJURY TO OTHERS AS WELL AS VEHICLE DAMAGE.**

### EYE PROTECTION:

**ALWAYS WEAR SAFETY GLASSES OR GOGGLES DURING THE INSTALLATION PROCESS TO AVOID PERSONAL INJURY.**

### MAXIMUM TOWING/CARRYING CAPACITY: (if applicable)

The Westin Receiver Hitches will have a visible tow rating label affixed directly on the product. User should never exceed the vehicle manufacturers maximum tow and weight rating regardless of the capacity of the hitch. **FAILURE TO FOLLOW THESE GUIDELINES WILL VOID THE WESTIN WARRANTY AND MAY RESULT IN PERSONAL INJURY AND/OR INJURY TO OTHERS AS WELL AS VEHICLE DAMAGE.**

### FOR CALIFORNIA RESIDENTS ONLY-PROP 65 WARNING:

Some products may contain chemicals such as DEHP, which can cause cancer, birth defects or other reproductive harm. For more info go to [www.p65warnings.ca.gov](http://www.p65warnings.ca.gov)



Westin Automotive Products, Inc.  
320 W. Covina Blvd  
San Dimas, Ca. 91773