



Installation Instructions

Flexatrunk™

Vehicle Application:

- Jeep® Wrangler and Wrangler Unlimited
2007 – Current
Part Number: 42635

www.Bestop.com - We're here to help! Visit our web site and click on "[Ask a Question](#)". Click here for more [Jeep® Accessories by Bestop](#).

INSTALLATION TIME	SKILL LEVEL		
 1/2 Hour	 1 - Easy		
TOOLS			
 10 mm and 3/8"		 9/16", 10mm and 13mm	 1/8"
			



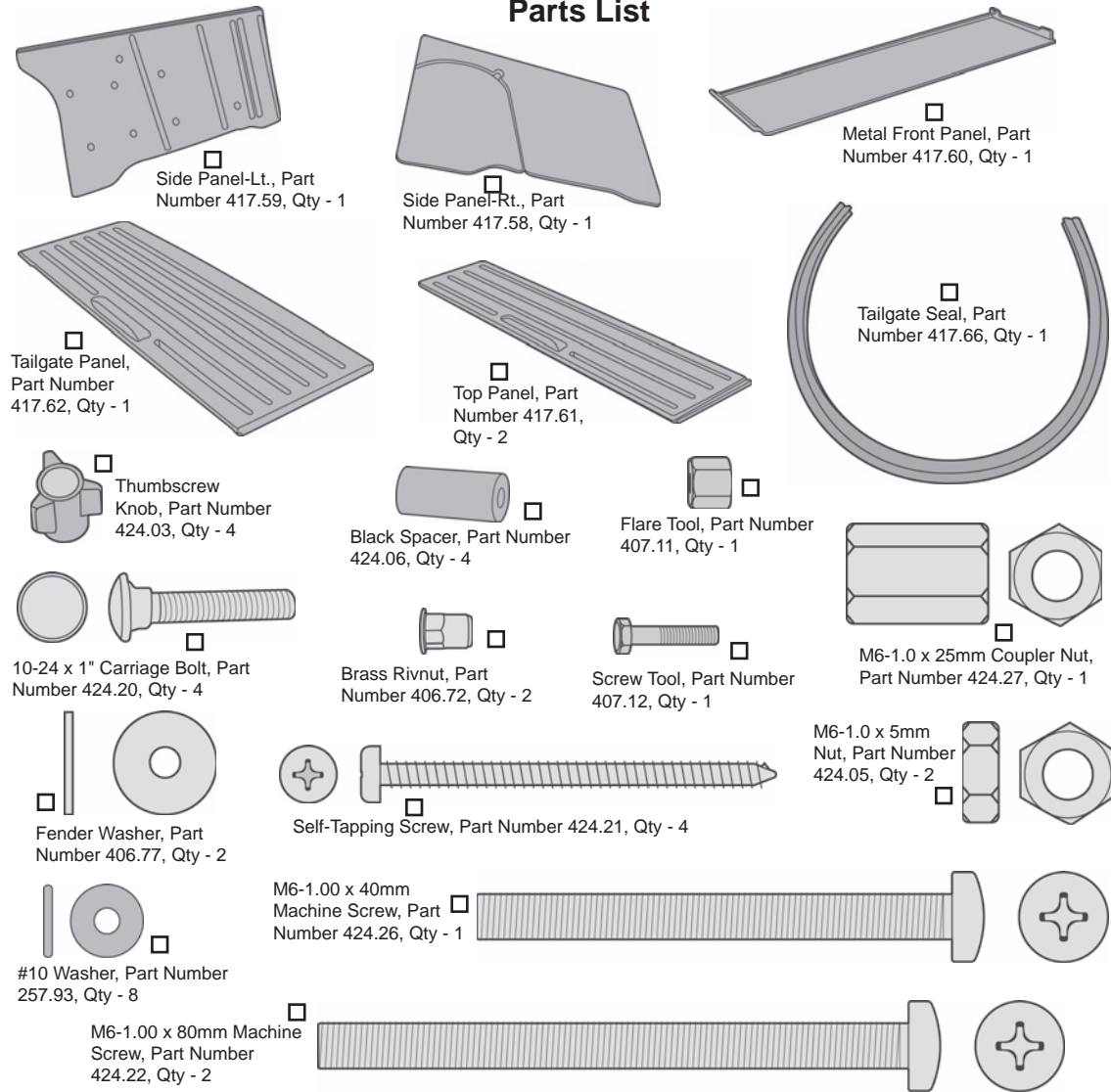
⚠ WARNING This product is designed primarily to enhance the appearance of the vehicle. Do not rely in any way on the components of this product to protect against injury or death in the event of an accident. Never operate the vehicle in excess of manufacturer's specifications.

WEAR SEAT BELTS AT ALL TIMES

Read and follow, precisely, all installation instructions provided when installing product. Failure to do so may result in a poor fit and could place occupants of the vehicle in a potentially dangerous situation.

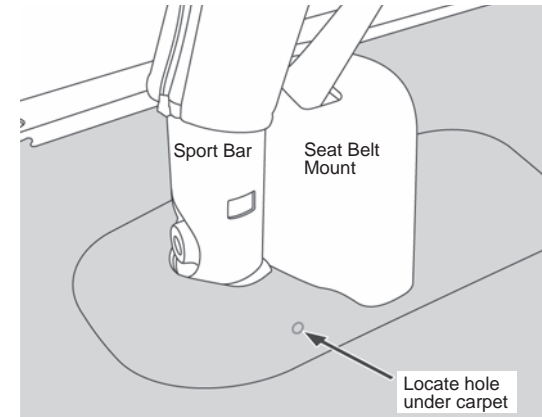
Flexatrunk™ Installation Instructions

Parts List



1 Locate Holes

Locate the hole in the side of the tub under the carpet at the base of the sport bar on each side of the vehicle.

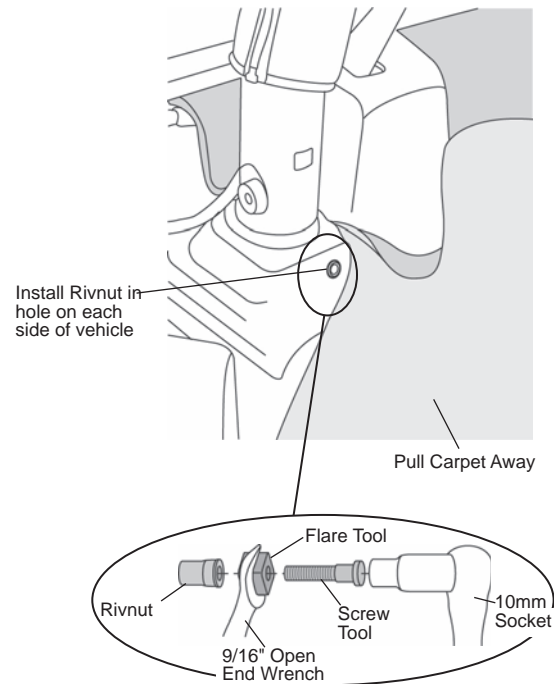


Flexatrunk™ Installation Instructions

2 Install the Brass Rivnuts.

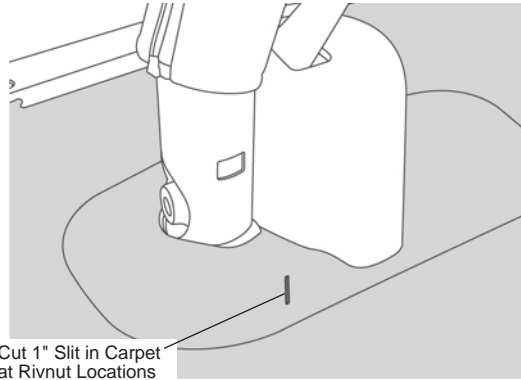
Carefully pull the carpet away from the rear wheel wells so that the hook and loop remains attached to the carpet for reinstallation later.

Locate the Brass Rivnuts in the parts kit. Use the Flare and Screw Tools provided and a 9/16" Open End Wrench and a 10mm Socket to install them into the holes. Make sure that the flange of the Rivnut is completely against the metal while installing.



3 Replace Carpet

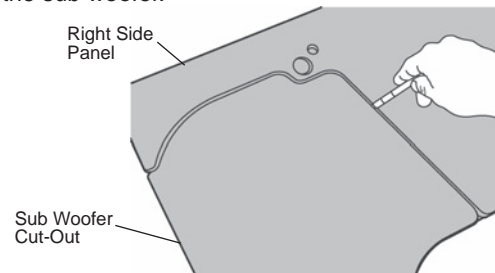
Replace the carpet, smoothing it out and covering the Rivnuts. Use a utility knife to cut a 1" vertical slit in the carpet at each Wellnut location.



4 Sub Woofer Cut Out – Optional

If your vehicle is not equipped with a sub woofer, skip to Step 5.

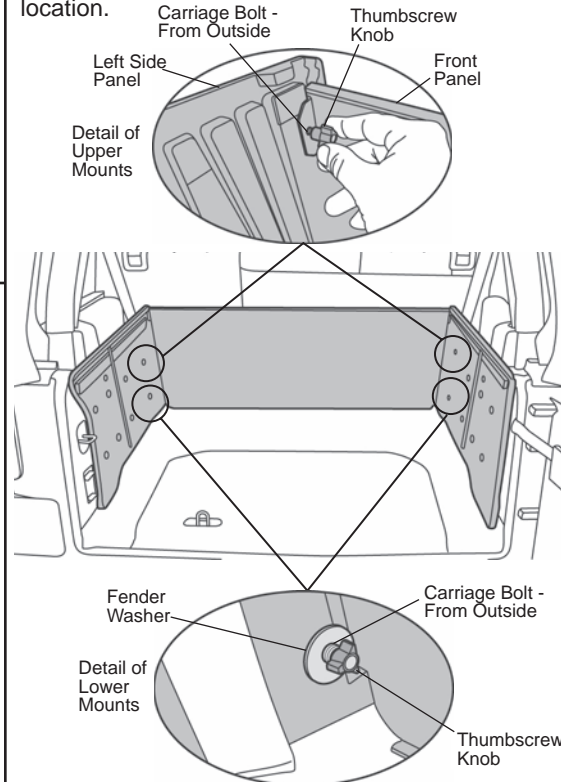
If your vehicle is equipped with a sub woofer, use a utility knife or jig saw to cut out the scored area on the Right Side Panel to fit around the sub woofer.



5 Assemble Front and Side Panels

Place the Front and Side Panels in the rear of the vehicle.

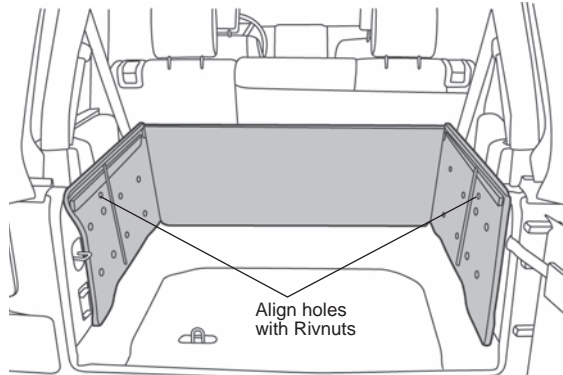
Slide the edges of the Front Panel into the groove along the front inside of the Right and Left Side Panels. Place a Carriage Bolt through two (2) holes in each Side Panel from the outside and install a Thumbscrew Knob from the inside at each hole location.



Flexatrunk™ Installation Instructions

6 Place Flexatrunk™ In Vehicle

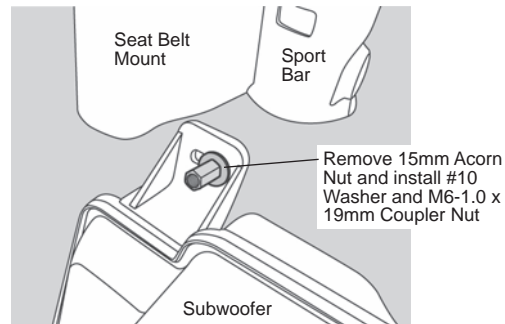
Place the Flexatrunk™ in the vehicle with the opening toward the rear. Align the holes in the Flexatrunk™ with the Rivnut locations.



7 Install Coupler Nut – Vehicles with Subwoofers Only

Use a 15mm socket to remove the upper front acorn nut that secures the subwoofer.

Place a #10 Washer over the stud and install the M6-1.0 x 19mm Coupler Nut.

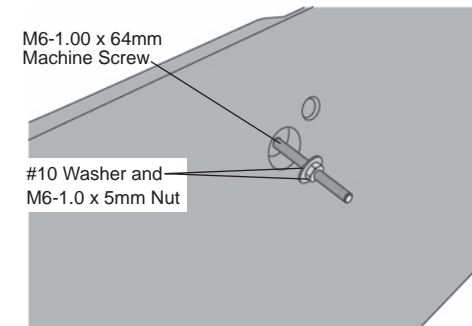


8 Secure Flexatrunk™ – Vehicles without Subwoofers Only

Place the M6-1.00 x 80mm Machine Screw through the Side Panel from inside and install a #10 Washer and an M6-1.0 x 5mm Nut on the screw.

Screw the panel into the Rivnut.

NOTE The M6-1.00 x 64mm Machine Screw will not be used.



9 Secure Flexatrunk™ – Vehicles with Subwoofers Only

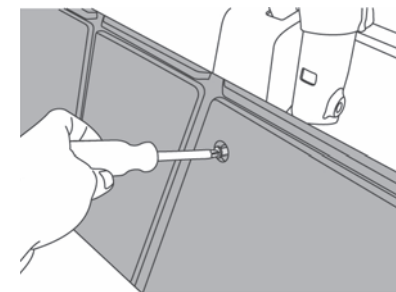
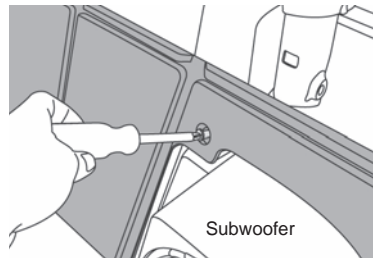
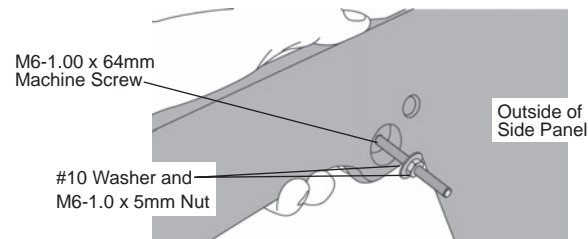
On the right side, place the M6-1.00 x 64mm Machine Screw through the Side Panel from inside and install a #10 Washer and an M6-1.0 x 5mm Nut on the screw.

Screw the panel into the Coupler Nut.

On the left side, place an M6-1.00 x 80mm Machine Screw through the Side Panel from inside and install a #10 Washer and an M6-1.0 x 5mm Nut on the screw.

Screw the panel into the Rivnut.

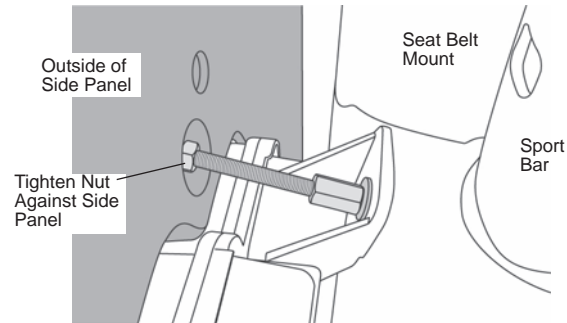
NOTE In vehicles with subwoofers, one (1) M6-1.00 x 80mm Machine Screw will be discarded.



Flexatrunk™ Installation Instructions

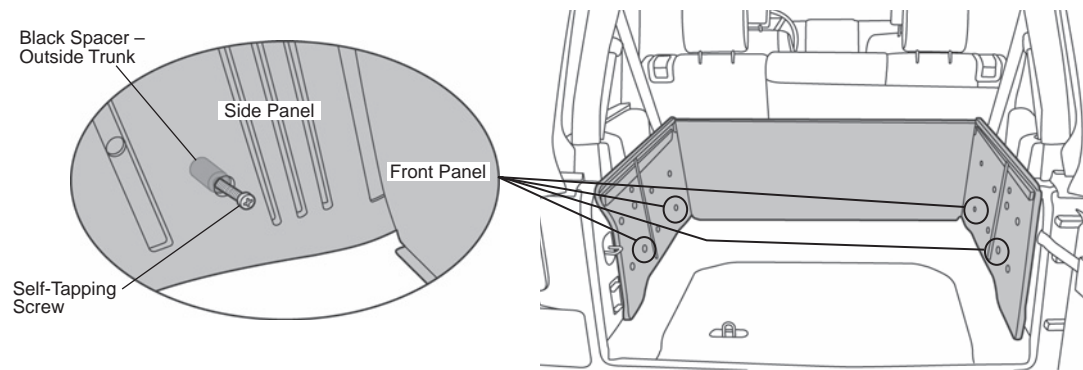
10 Secure Flexatrunk™ – All Vehicles

Tighten the M6-1.0 x 5mm Nuts on the outside of the panels against the panels on both sides of the vehicle.



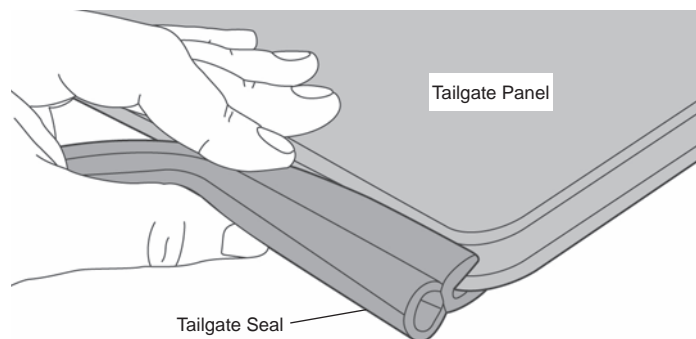
11 Install Self-Tapping Screws

Locate the four (4) mounting hole near the lower corners of the side panels. If desired, drill a 1/8" pilot hole in the vehicle at this location. Place a Black Spacer outside the trunk and install a Self-Tapping Screw through the spacer and into the tub of the vehicle. Do this on both sides of the vehicle.



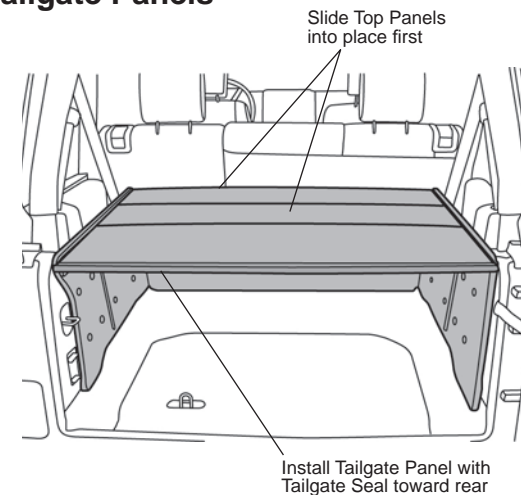
12 Install Tailgate Seal

Press the Tailgate Seal onto the rear edge of the Tailgate Panel. Work across from one side of the panel to the other.



13 Install Top and Tailgate Panels

Slide both of the Top Panels into the track along the top of the Side Panels. Slide them as far forward as possible. Then slide the Tailgate Panel into the track so that the Tailgate Seal forms a seal with the tailgate.



Flexatrunk™ Installation Instructions

LIMITED WARRANTY

We warrant our product to be free from defects in material and workmanship, for the terms specified below, provided there has been normal use and proper maintenance. This warranty applies to the original purchaser only. All remedies under this warranty are limited to the repair or replacement of any item or items found by the factory to be defective within the time period specified. If you have a warranty claim, first you must call our factory at the number below for instructions. You must retain proof of purchase and submit a copy with any items returned for warranty work. Upon completion of warranty work, if any, we will return the repaired or replaced item or items to you freight prepaid. Damage to our products caused by accidents, fire, vandalism, negligence, misinstallation, misuse, Acts of God, or by defective parts not manufactured by us, is not covered under this warranty.

THE WARRANTY TIME PERIOD IS AS FOLLOWS FOR REPLACE-A-TOP™, SAILCLOTH REPLACE-A-TOP™, SUPERTOP®, SUPERTOP® REPLACEMENT SKINS, SUNRIDER®, AND TIGERTOP®: TWO YEARS FROM DATE OF PURCHASE.

THE WARRANTY TIME PERIOD IS AS FOLLOWS FOR ALL OTHER “SOFT GOODS” MANUFACTURED BY OUR COMPANY (USING PRIMARILY VINYL, PLASTICS, AND/OR FOAM): ONE YEAR FROM DATE OF PURCHASE.

THE WARRANTY TIME PERIOD IS AS FOLLOWS FOR ALL OTHER “HARD GOODS” MANUFACTURED BY OUR COMPANY (USING PRIMARILY METALS, PLASTICS, AND/OR FIBERGLASS): ONE YEAR FROM DATE OF PURCHASE.

ANY IMPLIED WARRANTIES OF MERCHANTABILITY AND/OR FITNESS FOR A PARTICULAR PURPOSE CREATED HEREBY ARE LIMITED IN DURATION TO THE SAME DURATION AND SCOPE AS THE EXPRESS WRITTEN WARRANTY. OUR COMPANY SHALL NOT BE LIABLE FOR ANY INCIDENTAL OR CONSEQUENTIAL DAMAGE.

Some states do not allow limitations on how long an implied warranty lasts, or the exclusion or limitation of incidental or consequential damages, so the above limitations or exclusions may not apply to you. This warranty gives you specific legal rights, and you may also have other rights which vary from state to state.



For further information or request for warranty work, please contact:
Bestop Inc. Customer Service
Toll-Free: (800)845-3567
Main: (303)465-1755
E-mail: csbestop@Bestop.com
Website: www.Bestop.com