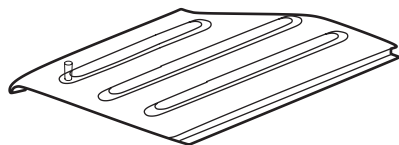




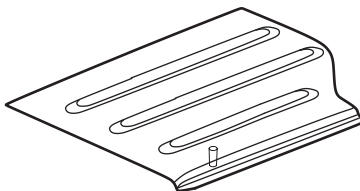
MOPAR®

# JEEP WRANGLER

## Suntop Kit



**A**

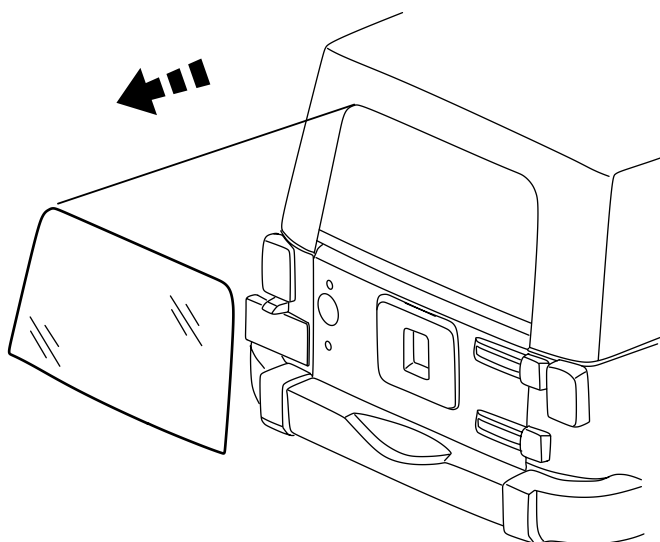


**B**

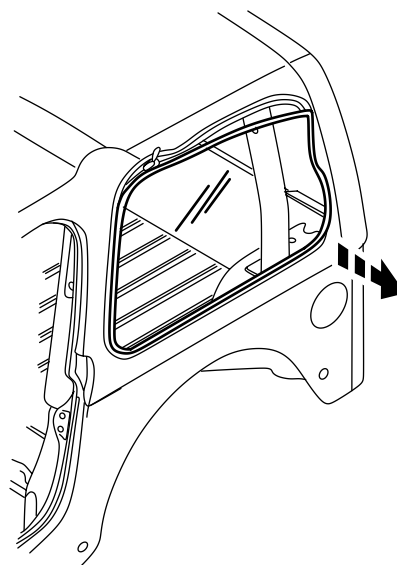


**C** 2x

REMOVE REAR VINYL WINDOW.

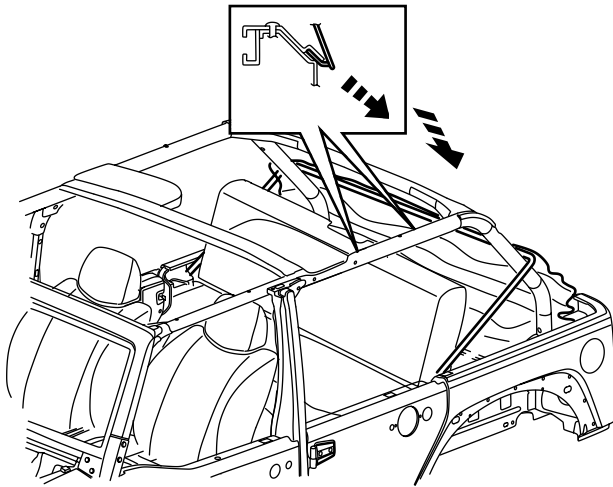


**1**



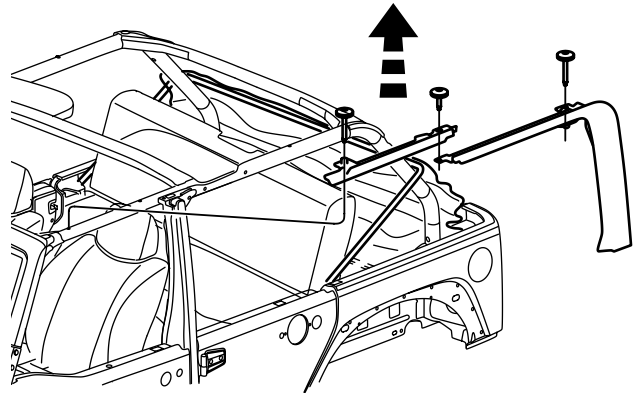
REMOVE BOTH REAR VINYL WINDOWS.

**2**



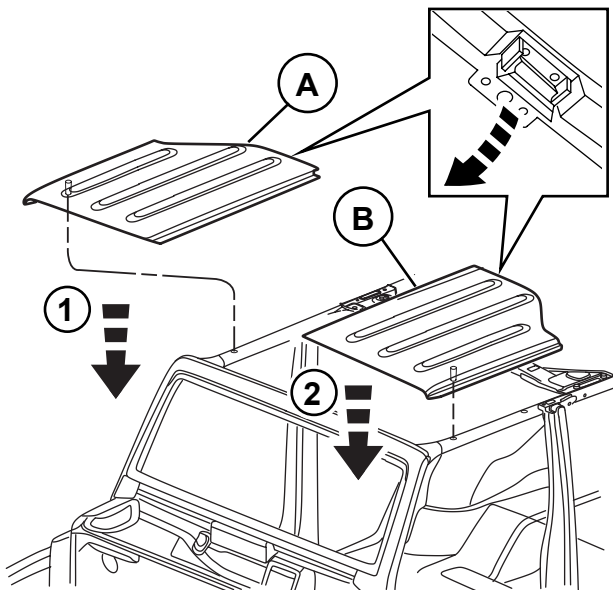
TOP IS DISENGAGED ALONG THE SIDES AND IN REAR SO IT CAN BE FOLDED AND STORED.

3



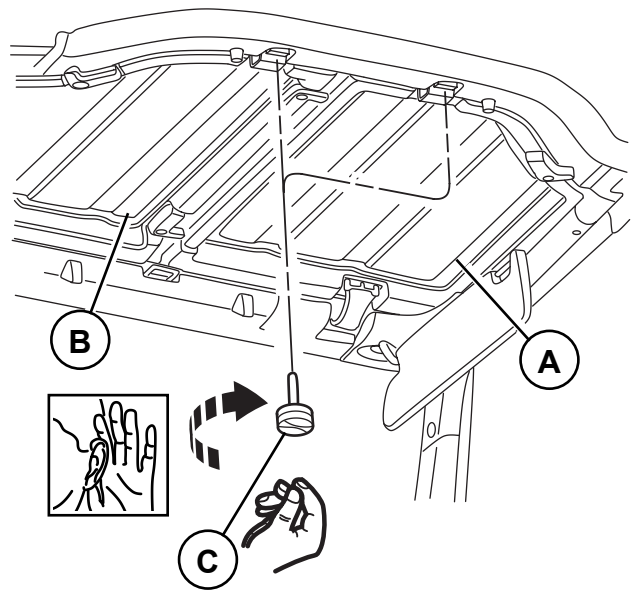
REMOVE THE SOFT TOP RAIL RETAINERS AS SHOWN ON 4 DOOR MODEL.

4 2x



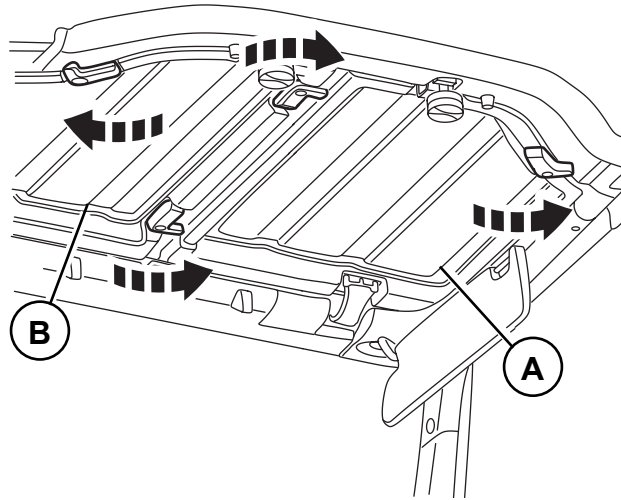
FLIP DOWN REAR SUPPORTS TO CONTACT ROOF CROSSMEMBER.

5



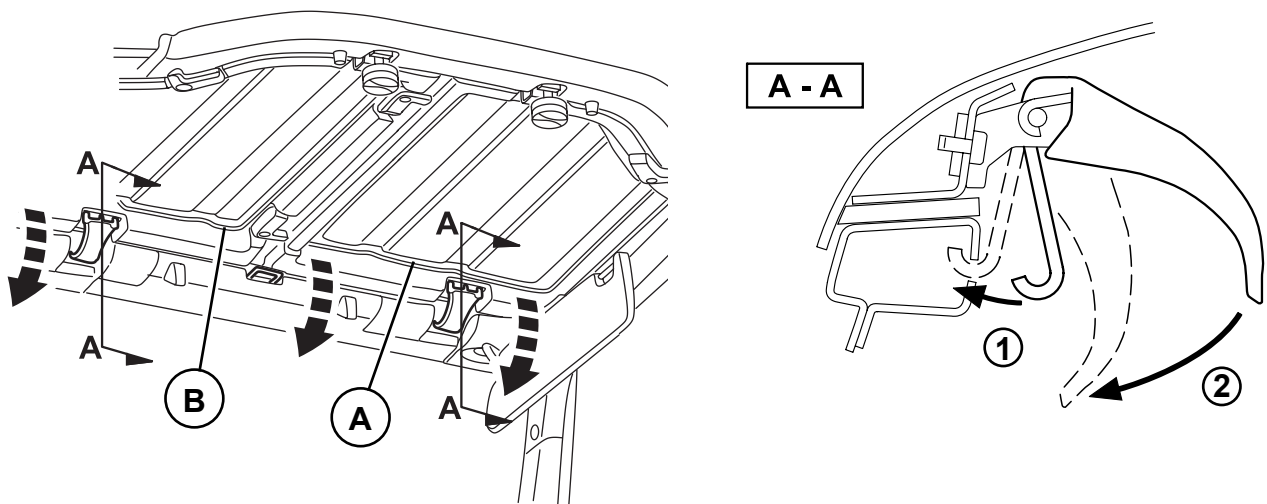
TIGHTEN TO HEAR CLICK / RATCHETING NOISE

6



ROTATE LEVERS TO SECURE HARD TOP COVERS.

7



LATCH HARD TOP COVERS TO WINDSHIELD STRUCTURE.

8