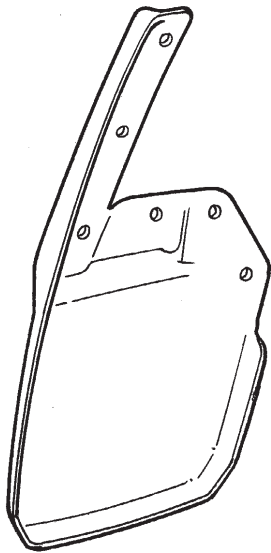




JEEP WRANGLER

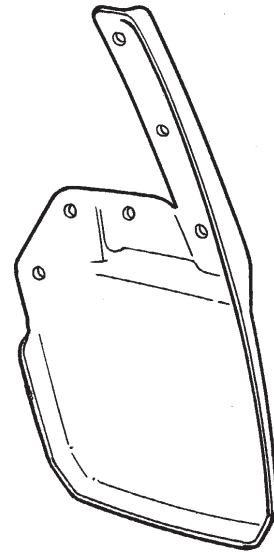
Front Splashguard

Front Right

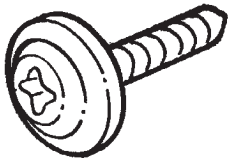


A

Front Left



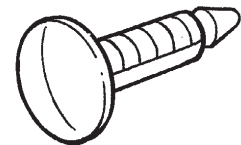
B



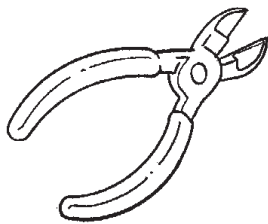
C 6X



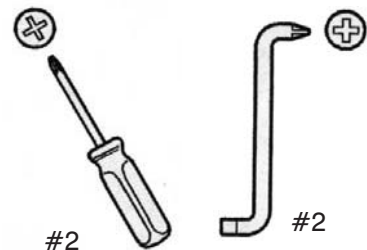
D 4X



E 6X

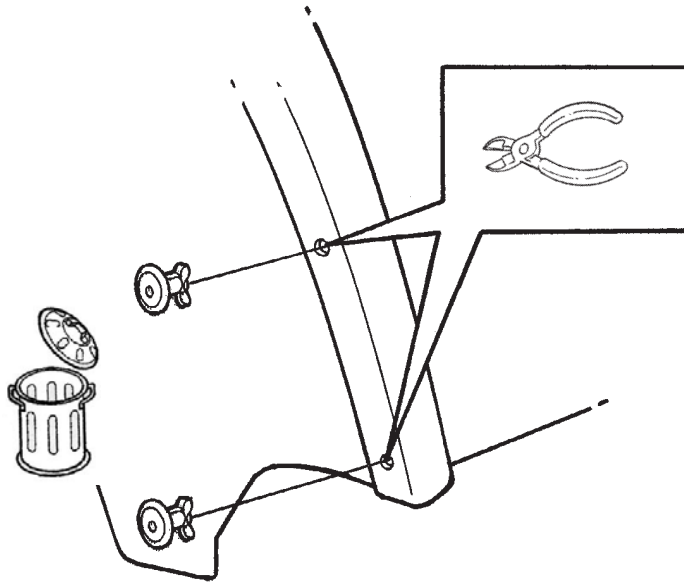


3/32" (2.5 mm)
1/4" (6.3 mm)

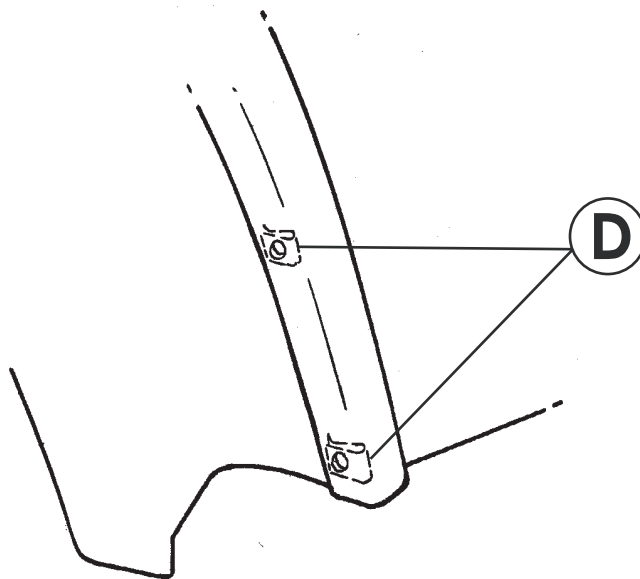


#2

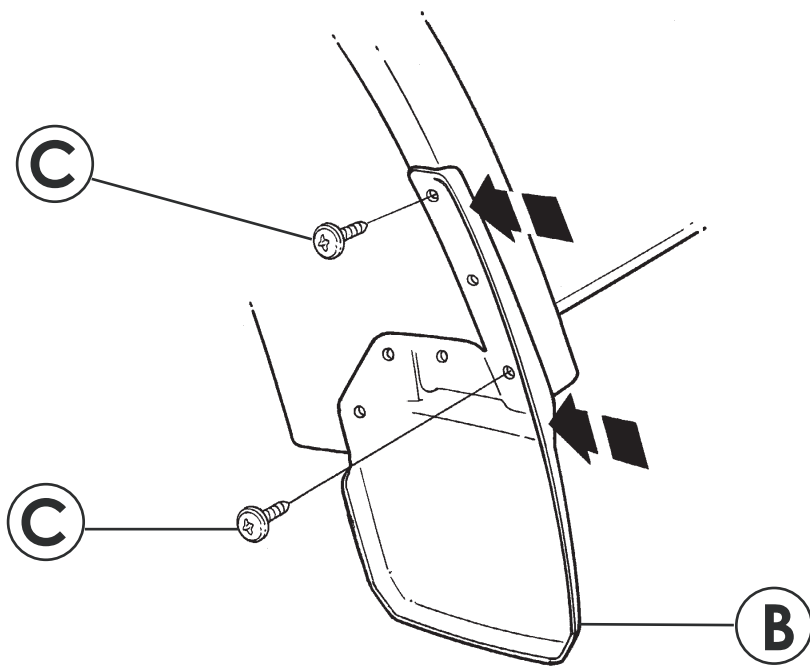
#2



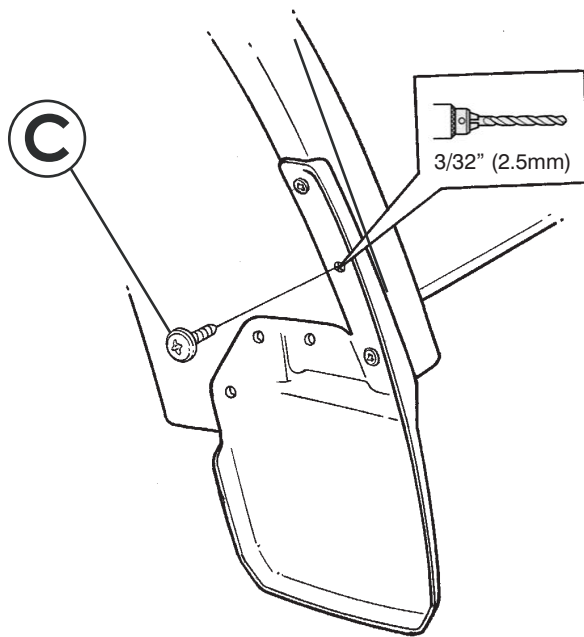
1



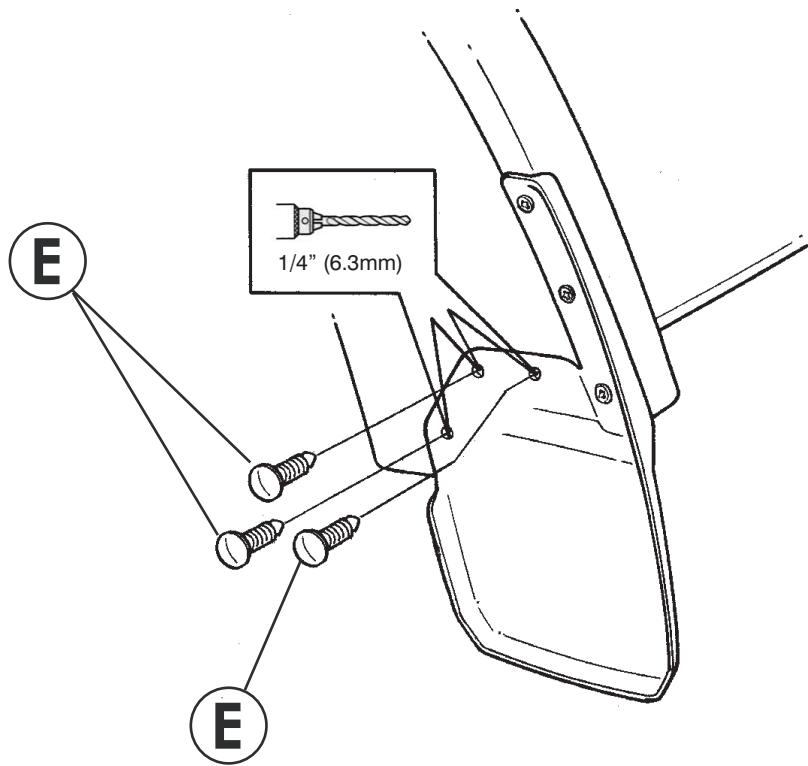
2



3



4



5