

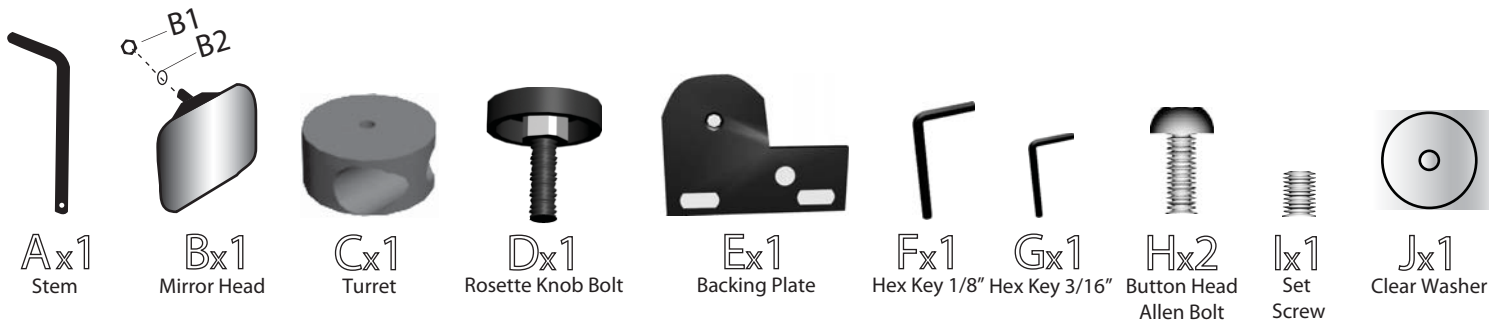
## Mirror II Passenger/Driver Side Mirror Instructions

Includes Part Numbers: 025-692, 023-693, 023-110, 023-111

Tools needed: T-40 torque head ratchet driver ( for removal of Jeep windshield bolts)

### STEP 1: Identify Parts

If parts are missing please call the Lange Originals factory toll-free 1-866-284-7428. Or go to the contact page at [www.langeoriginals.com](http://www.langeoriginals.com), and send us an e-mail. In your correspondence please include the description of the missing part, your name, shipping address, phone number, who you ordered the part from, and e-mail address. Colors and style may vary.



### STEP 2: Mounting the backing plate (E)

Remove Torque head screw bolts on windshield using T-40 Torque head socket shown in figure 2 and 3 (tip: this bolt may be stubborn to remove, be sure to use the right size of torque driver with a ratchet driver for improved leverage). Follow figure 4 and 5 to then put the backing plate on the windshield bracket. Fig. 4 Illustrates a driver side installation. Fig. 5 Illustrates a passenger side installation. Only two holes will align with your bracket, the third is not used.

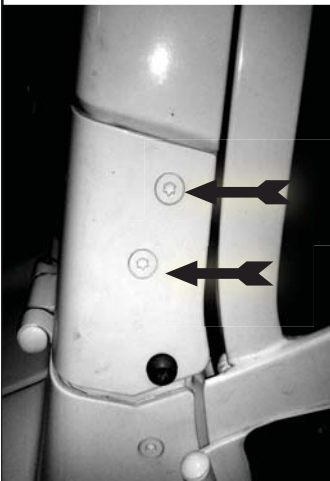


Fig 2  
TJ two bolts for  
removal

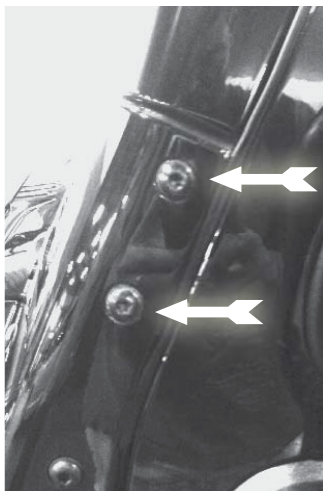


Figure 3  
JK two bolts for  
removal

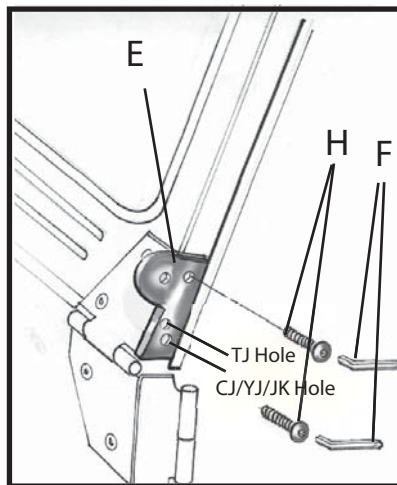


Figure 4  
Drivers side  
installation

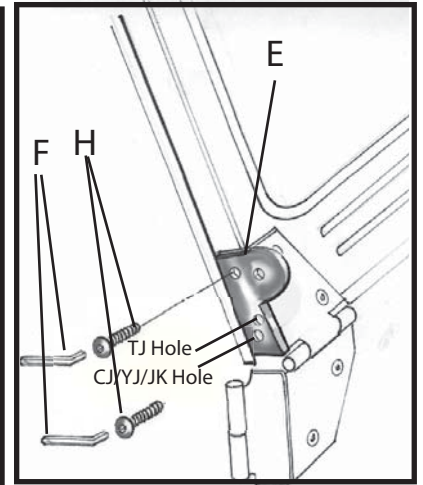


Figure 5  
Passenger side  
installation

### STEP 3 Mirror assembly

Figure 6 illustrates the assembly order of parts A-J. CAUTION DO NOT OVERTIGHTEN THE ROSETTE KNOB BOLT (D) Rosette knob bolt (D) Should be finger tight.

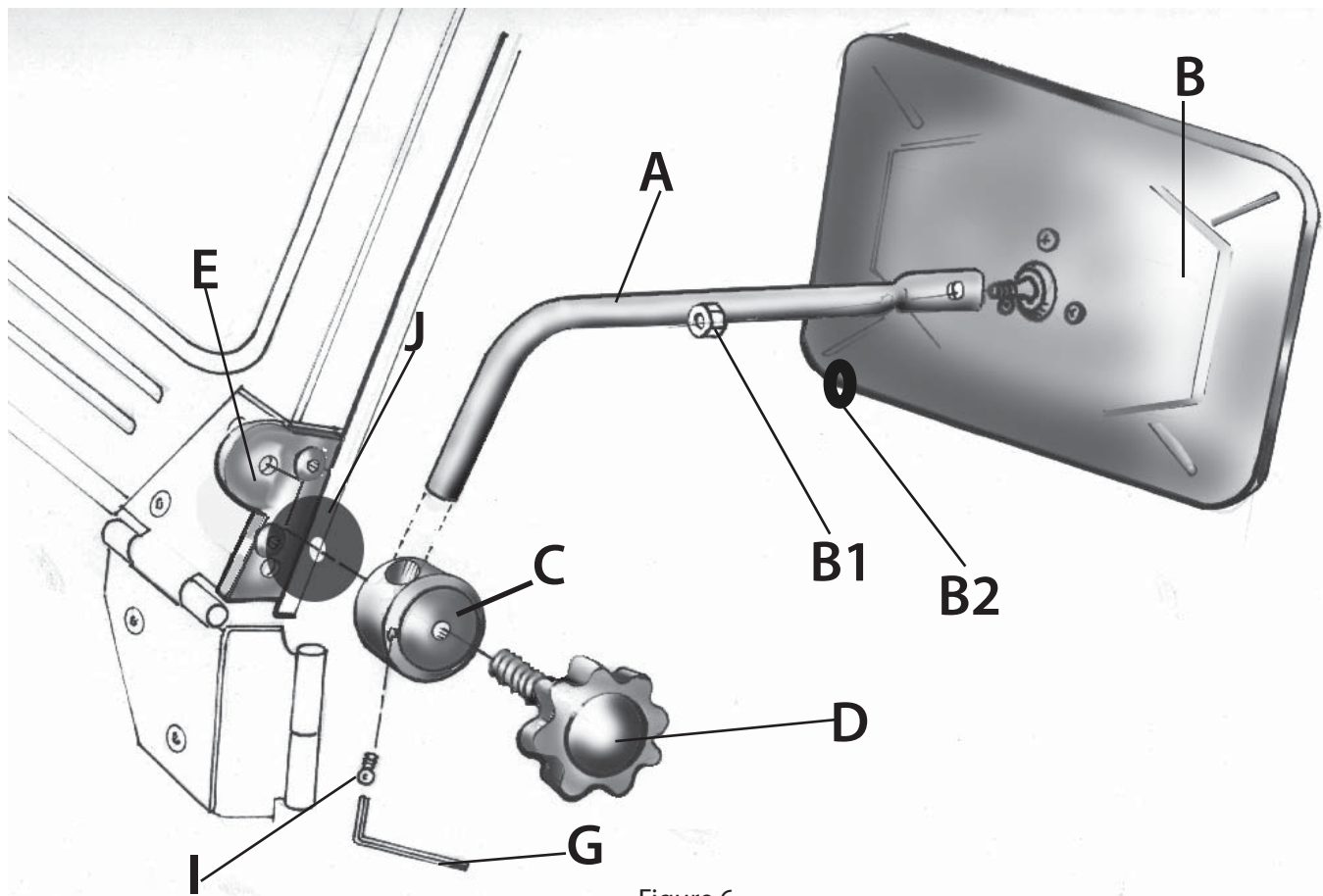


Figure 6

### STEP 4: Adjustments

Adjustments to the stem (A) are made by releasing the tension on the set screw (I) to change the forward position. Adjustments are made to the mirror head itself by loosening the three screws on the back of the mirror head (B) to release the tension on the ball, and then tightening to preferred tension.

**CUSTOMERS WITH HALF DOORS:** a special order stem is available for the passenger side for viewing through the windshield. This must be ordered from Lange website mirror section directly.

#### Limited Warranty

This product is warranted for a period of one year. Soft rubber and plastic parts are warranted for 90 days. This Warranty covers defects in material or workmanship and does not cover abuse, improper installation, or misuse. This Warranty is for the said product only and does not cover consequential damages of any kind due to the use of this product. Warranty service requires proof of purchase, and pre-approved return authorization when returned postage prepaid. Lange will repair or replace product at its discretion and return postage paid to customer.

Please call or write if you encounter problems or need assistance. Please call for a return authorization for items needing Warranty

Service. The Warranty Period is based on your receipt. Items will be either repaired or replace at Lange's option.

