







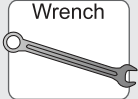
Installation Instructions Highrock™ 4x4 Element™ Enclosure Kit

Vehicle Application


• Jeep TJ Wrangler
1976 - 2006

Part Number: 51792


www.Bestop.com - We're here to help! Visit our web site and click on "[Ask a Question](#)". Click here for more [Jeep® Accessories by Bestop](#).

INSTALLATION TIME	SKILL LEVEL	
 1/2 Hour	 1 - Easy	
TOOLS		
 Safety Glasses	 Phillips Screwdriver	 Wrench 7/16" and 13mm



 **CAUTION** Safety glasses should be worn at all times while installing this product.

Installation Tips
Before you begin installing this assembly, read all instructions thoroughly.

 **WARNING** This product is designed primarily to enhance the appearance of the vehicle and to shield the occupants from ordinary weather conditions. Do not rely in any way on the components of this product to contain occupants within the vehicle, or to protect against injury or death in the event of an accident. This product will not protect the occupants from falling objects. Never operate the vehicle in excess of manufacturer's specifications.

WEAR SEAT BELTS AT ALL TIMES

Read and follow, precisely, all installation instructions provided when installing product. Failure to do so may result in a poor fit and could place occupants of the vehicle in a potentially dangerous situation.

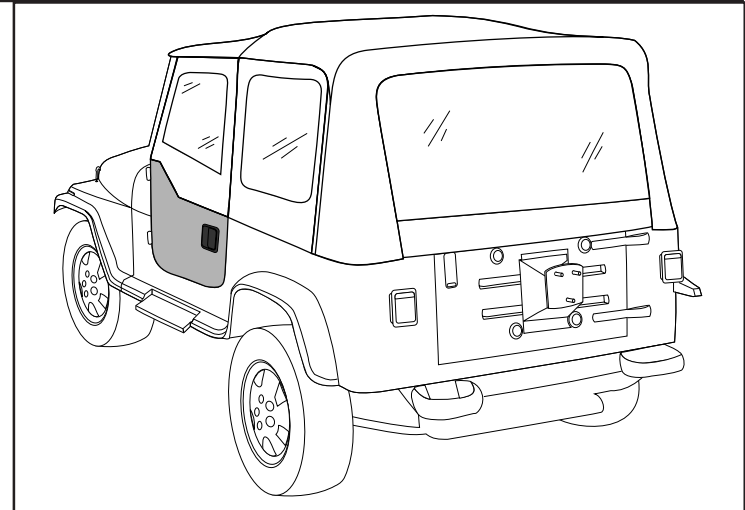
Element™ Enclosure Kit Installation Instructions

Parts List and Hardware Identification

Right Door Enclosure	Qty - 1
Part Number 422.12	
Left Door Enclosure	Qty - 1
Part Number 422.00	

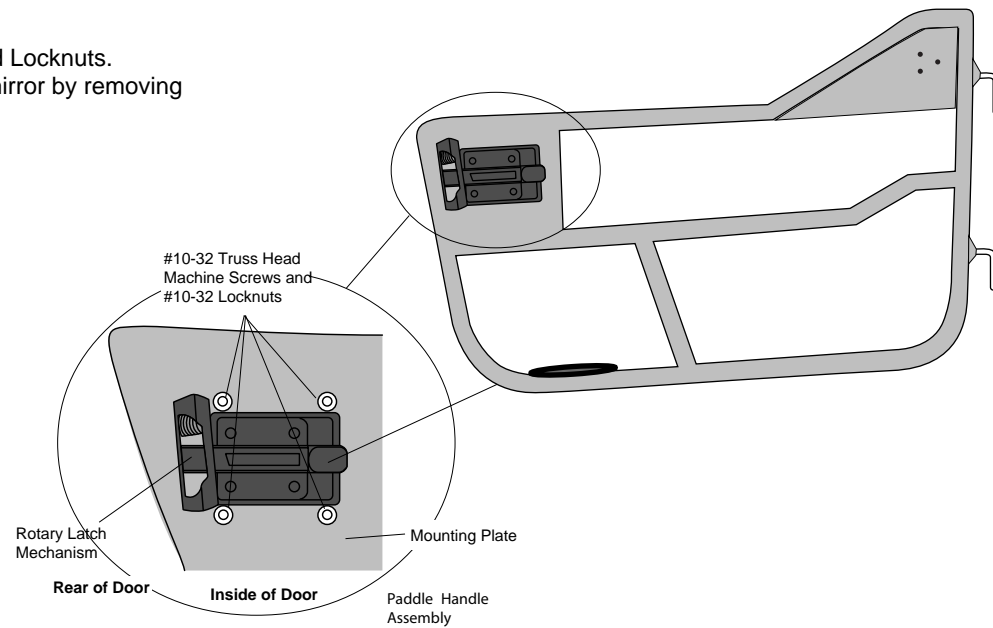


Enclosure Seal Qty - 1,
Part Number 420.92



1 Remove Paddle Handle

Remove the four #10-32 Truss Head Machine Screws and Locknuts. Remove the Paddle Handle from the door. Detach the mirror by removing the three screws that attach the mirror to the door.

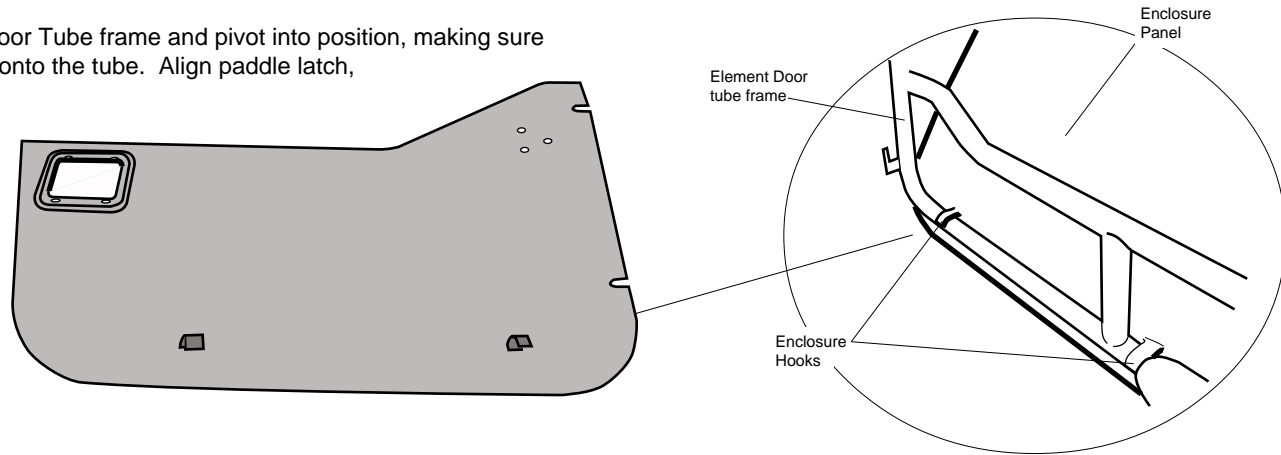


Element™ Lower Door Frame & Bag Installation Instructions

1 Enclosure panel

Engage hooks onto Element Door Tube frame and pivot into position, making sure that the hooks are fully seated onto the tube. Align paddle latch, and mirror holes.

Note: Make sure to install the Element Door Sport Bag with pockets toward the inside of the vehicle when using both the enclosure, and Sport Bag.

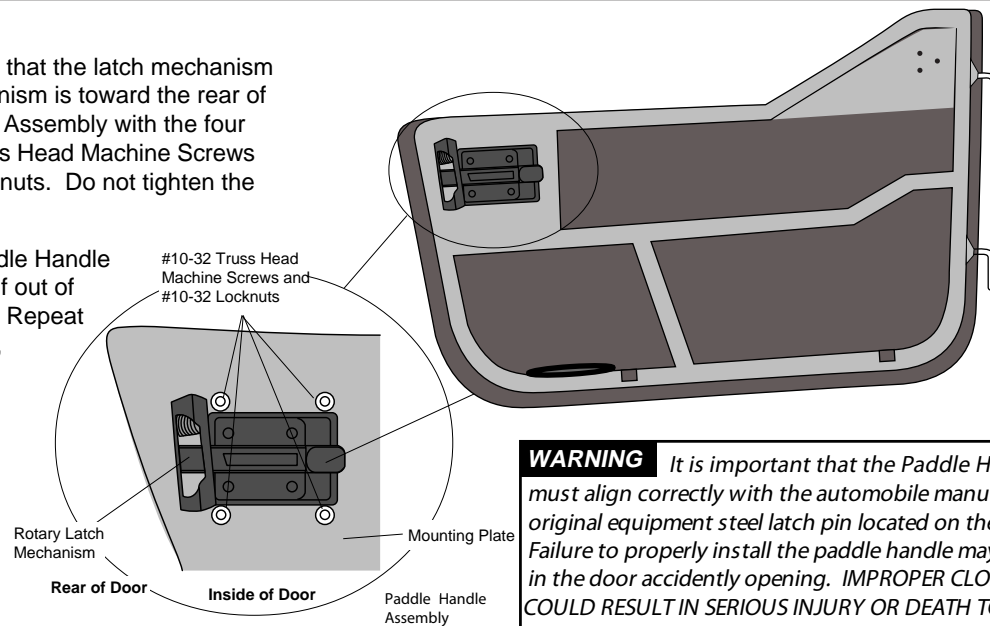


1 Reinstall Paddle Handle

Insert the Paddle Handle into the mounting plate so that the latch mechanism is inside of the vehicle and the Rotary Latch Mechanism is toward the rear of the door. Align the four holes in the Paddle Handle Assembly with the four holes in the mounting plate. Insert four #10-32 Truss Head Machine Screws from the outside and secure them with #10-32 Locknuts. Do not tighten the screws until all four are in place.

Important: You should check alignment of the Paddle Handle to the steel latch pin before tightening the screws. If out of alignment, align and retighten the screws securely. Repeat for both lower doors. If more adjustment is needed, adjust the vehicles door striker.

WARNING: The Element Door System is equipped for protection against the elements. The door will not contain occupants during an accident. The Element Door step (maximum 250 lb. weight) is only to be used while vehicle is parked in a level position-with the door closed and securely latched. Wear Seatbelts at all times.



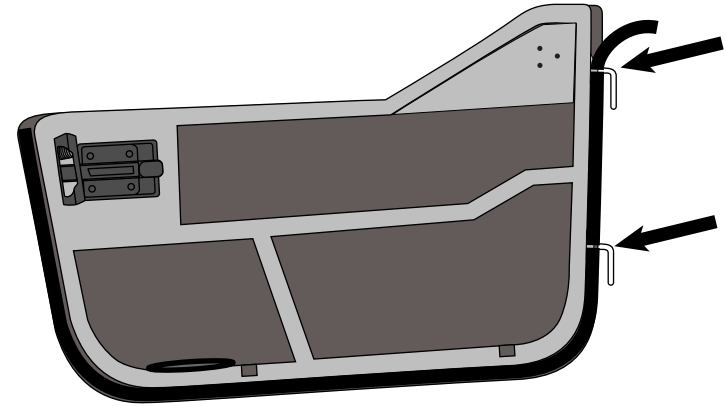
WARNING It is important that the Paddle Handle must align correctly with the automobile manufacturer's original equipment steel latch pin located on the vehicle. Failure to properly install the paddle handle may result in the door accidentally opening. **IMPROPER CLOSURE COULD RESULT IN SERIOUS INJURY OR DEATH TO THE OCCUPANTS. DRIVE CAREFULLY.**



Element™ Lower Door Frame & Bag Installation Instructions

1 Install Enclosure seal

Once Enclosure panel is in place, install the Enclosure seal. Expose adhesive tape on one end of the seal, and apply to the inside top back corner of Enclosure panel and work towards the front of the door aligning the seal to the outer most edge of the Enclosure panel. Complete the seal installation by trimming off the excess seal, and cutting the seal over the door pins.



Limited Warranty

We warrant our product to be free from defects in material and workmanship, for the terms specified below, provided there has been normal use and proper maintenance. This warranty applies to the original purchaser only. All remedies under this warranty are limited to the repair or replacement of any item or items found by the factory to be defective within the time period specified.

If you have a warranty claim, first you must call our factory at the number below for instructions. You must retain proof of purchase and submit a copy with any items returned for warranty work. Upon completion of warranty work, if any, we will return the repaired or replaced item or items to you freight prepaid. Damage to our products caused by accidents, fire, vandalism, negligence, misinstallation, misuse, Acts of God, or by defective parts not manufactured by us, is not covered under this warranty.

THE WARRANTY TIME PERIOD IS AS FOLLOWS: ALL "SOFT GOODS" MANUFACTURED BY OUR COMPANY (USING PRIMARILY VINYL, PLASTICS, AND/OR FOAM): ONE YEAR FROM DATE OF PURCHASE.

ANY IMPLIED WARRANTIES OF MERCHANTABILITY AND/OR FITNESS FOR A PARTICULAR PURPOSE CREATED HEREBY ARE LIMITED IN DURATION TO THE SAME DURATION AND SCOPE AS THE EXPRESS WRITTEN WARRANTY. OUR COMPANY SHALL NOT BE LIABLE FOR ANY INCIDENTAL OR CONSEQUENTIAL DAMAGE.

Some states do not allow limitations on how long an implied warranty lasts, or the exclusion or limitation of incidental or consequential damages, so the above limitations or exclusions may not apply to you.

This warranty gives you specific legal rights, and you may also have other rights which vary from state to state.



For further information or request for warranty work, please contact:

Bestop Inc. Customer Service

(800) 845-3567

(303) 465-1755

* All or a portion of this product may be made in China