

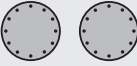









Installation Instructions TrailMax™ DVD Console

Vehicle Application:

- Jeep JK Wrangler and Wrangler Unlimited
2007 – Current
Part Number: 81705

www.Bestop.com - We're here to help! Visit our web site and click on "[Ask a Question](#)". Click here for more [Jeep® Accessories by Bestop](#).

INSTALLATION TIME	SKILL LEVEL		
 2 Hours	 3 - Moderately Hard		
TOOLS			
 Phillips Screwdriver	 Wire Cutters	 Power Drill	 Socket
		3/32" and 1/2" Bits	10mm
 Ratchet	 Safety Glasses		



! WARNING The manufacturer strongly recommends that this product be professionally installed.

! WARNING Failure to carefully follow the electrical installation steps could result in severe electrical shock which could harm the installer and/or damage the vehicle.

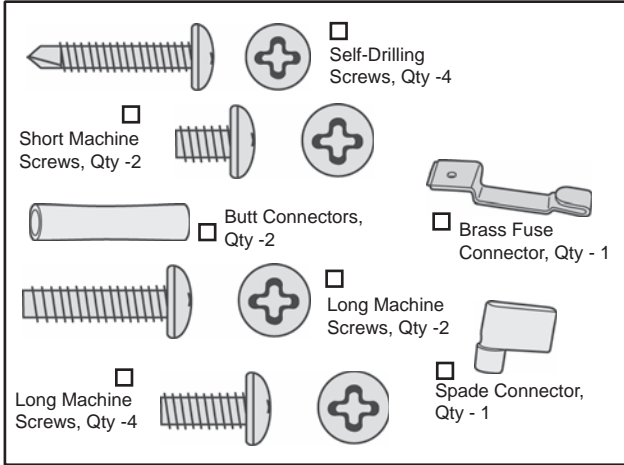
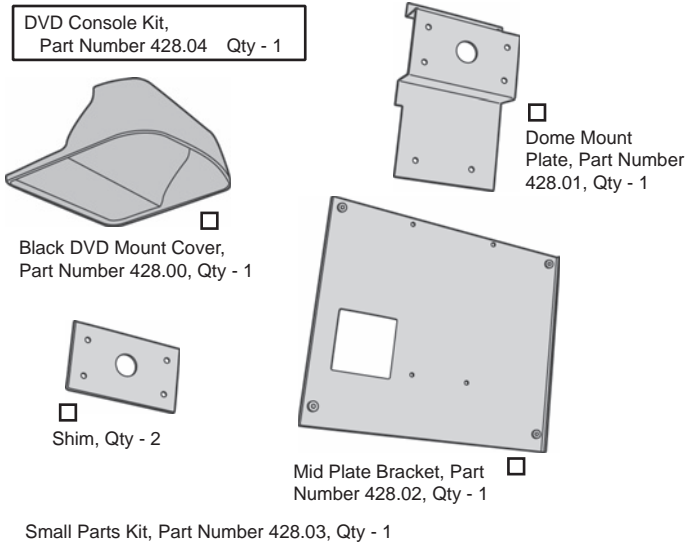
! WARNING This product is designed primarily to enhance the appearance of the vehicle. Do not rely in any way on the components of this product to protect against injury or death in the event of an accident. Never operate the vehicle in excess of manufacturer's specifications.

WEAR SEAT BELTS AT ALL TIMES

Read and follow, precisely, all installation instructions provided when installing product. Failure to do so may result in a poor fit and could place occupants of the vehicle in a potentially dangerous situation.

TrailMax™ DVD Console Installation Instructions

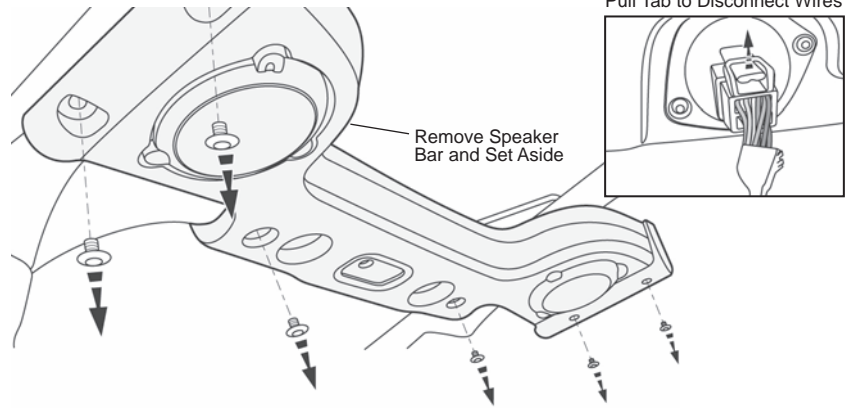
Parts List and Hardware Identification



! WARNING Disconnect the battery before beginning this installation

1 Remove Speaker Bar

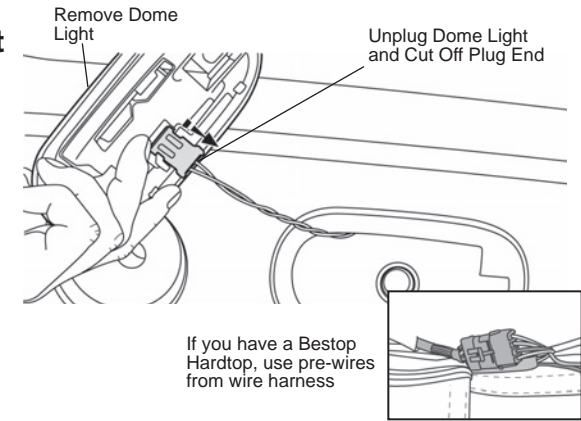
Lower your soft top or remove your hardtop panels before starting this installation. Use a 10mm socket to remove the six (6) bolts that secure the speaker bar to the vehicle. Locate the wires and connector on the passenger side. Lift up on the tab on the connector to release the wires. Set the speaker bar and hardware aside to be reinstalled later.



2 Remove Dome Light

Remove the dome light and cover. Unhook the plug from the dome light and use the wire cutters to cut off the plug end as close to the plug as possible.

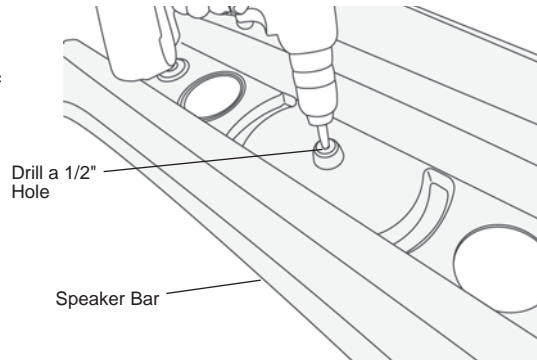
If you have a Bestop Hardtop, use the 2 pre-wires from the hardtop wire harness for the DVD power wire. **Do not cut dome switch.**



TrailMax™ DVD Console Installation Instructions

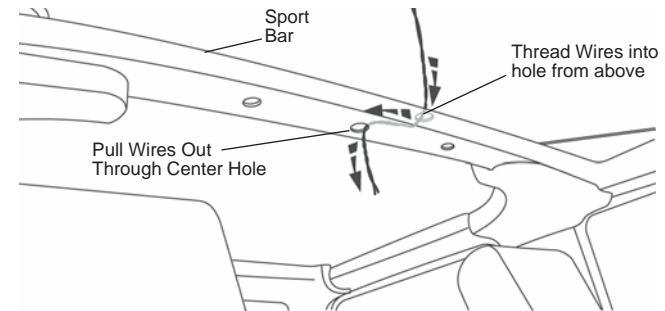
3 Drill Hole in Speaker Bar

Locate the round recess in the center of the plastic speaker bar molding. Drill a 1/2" hole in the center of the recess.



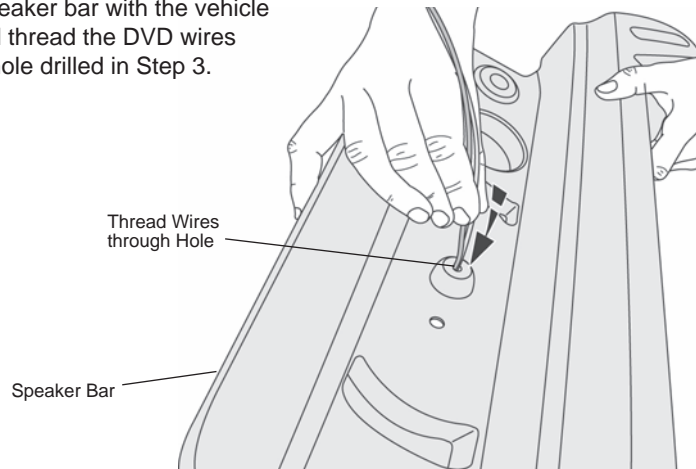
4 Install DVD Wires through Sport Bar

Locate the wiring harness from the DVD Console Kit and select the two (2) wires that will be connected to the dome light wires. Locate the two (2) holes that are offset slightly in the center of the sport bar. Thread the wires through these holes from above the sport bar.



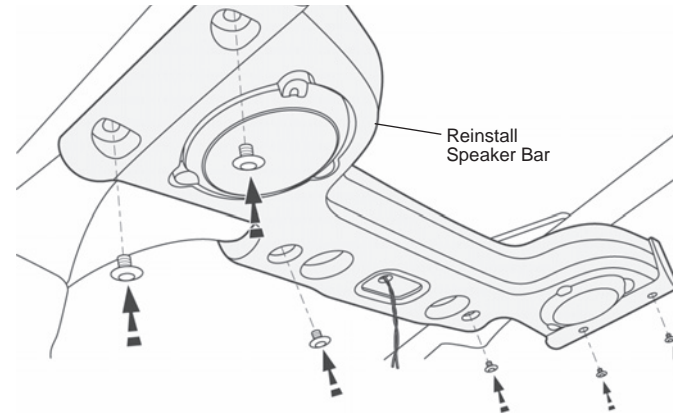
5 Install DVD Wires through Speaker Bar

Orient the speaker bar with the vehicle sport bar and thread the DVD wires through the hole drilled in Step 3.



6 Reinstall Speaker Bar

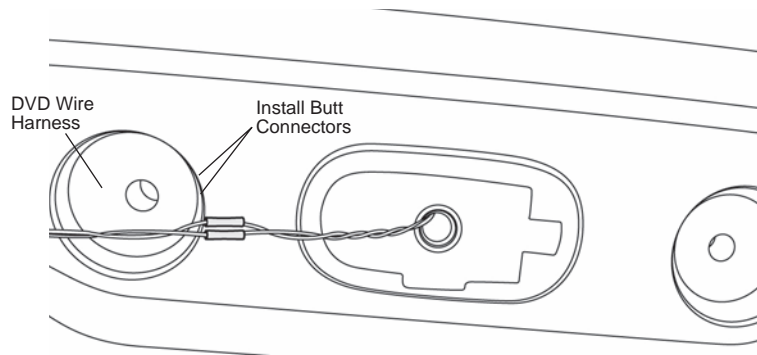
Use a 10mm socket to reinstall the six (6) bolts that secure the speaker bar to the vehicle.



TrailMax™ DVD Console Installation Instructions

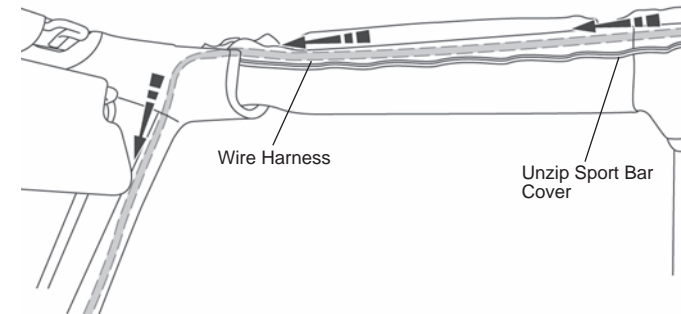
7 Install Butt Connectors

Install a Butt Connector on the end of each wire and install the wires from the DVD wire harness into the other ends of the Butt Connectors.



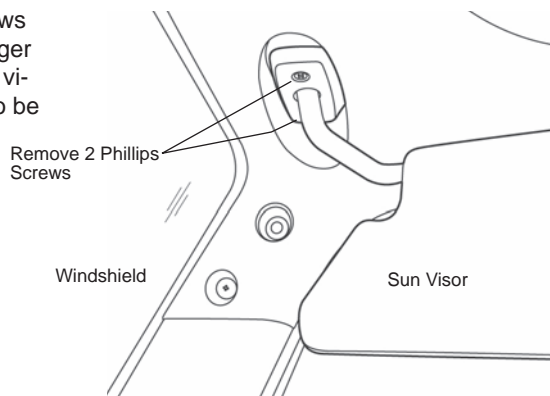
8 Thread Wiring Harness under Sport Bar Cover

Route the wiring harness to the passenger side sport bar. Unzip the sport bar cover and route the wiring harness along the sport bar toward the windshield. Zip the sport bar cover closed.



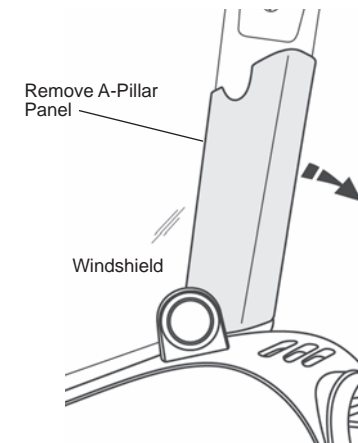
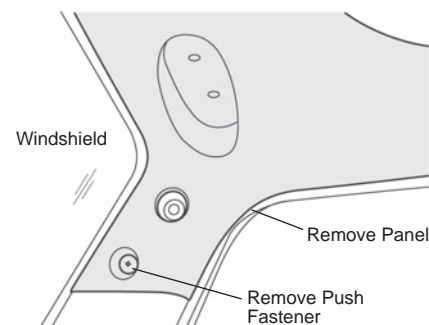
9 Remove Passenger Sun Visor

Use a phillips screwdriver to remove the two screws that secure the passenger side Sun Visor. Set the visor and screws aside to be reinstalled later.



10 Remove Molded Corner Panel and A-Pillar Panel

Remove the push fastener that holds the Molded Corner Panel in place. Set the fastener and panel aside to be reused later. Then remove the A-Pillar Panel.

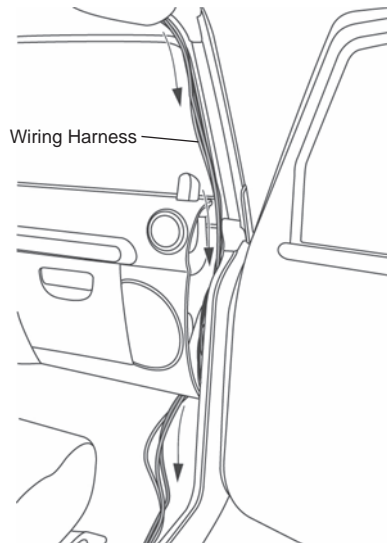


TrailMax™ DVD Console Installation Instructions

11 Thread Wire through Dash

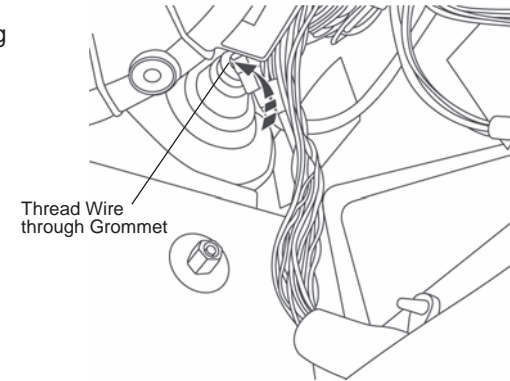
Pull the panel along the side of the dash away.

Route the wiring harness from the sport bar down along the A-Pillar and under the dash into the footwell.



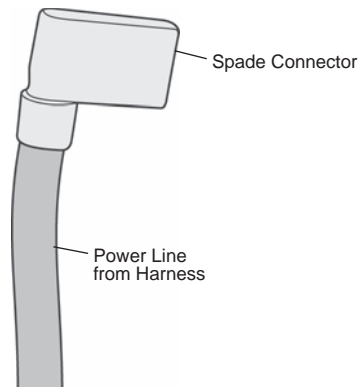
12 Thread Wiring Harness through Fire Wall

Continue to route the wiring harness along the route of the other bundled wires through grommet in the firewall and into the engine compartment.



13 Install Spade Connector

Press the Spade Connector on the end of the power line on the Wiring Harness.



! WARNING

Disconnect the battery before installing the Fuse Connector.

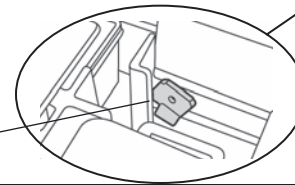
14 Install Brass Fuse Connector

Route the Wiring Harness along the engine compartment to the accessory connection point for power source when the key is on (Fuse CB1 Ignition off accessory power) in the fuse box. Install the Brass Fuse Connector. Connect the Spade Connector to the Brass Fuse Connector.

Connect the ground on the Wiring Harness to the ground off the battery.

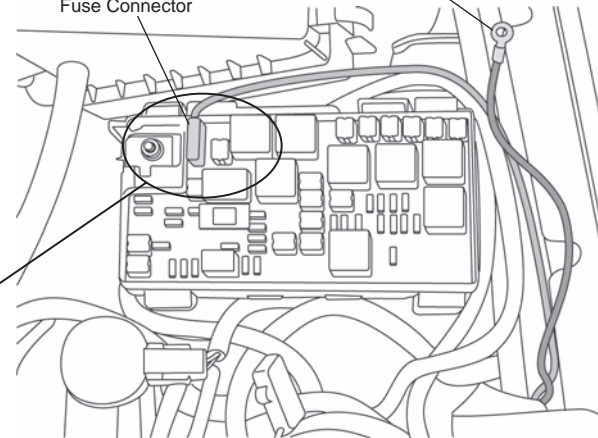
Reconnect the battery.

Install Brass Fuse Connector



Connect Spade Connector to Brass Fuse Connector

Connect Ground to the Ground off the Battery



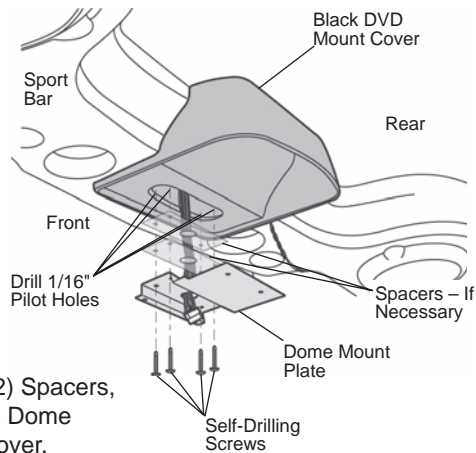
TrailMax™ DVD Console Installation Instructions

15 Install Black DVD Mount Cover and Dome Mount Plate

Place the Black DVD Mount Cover on the sport bar where the dome light was mounted. Orient the cover with the rounded molding against the rear of the sport bar. Place the Dome Mount Plate on top of the cover and make sure the wires are free.

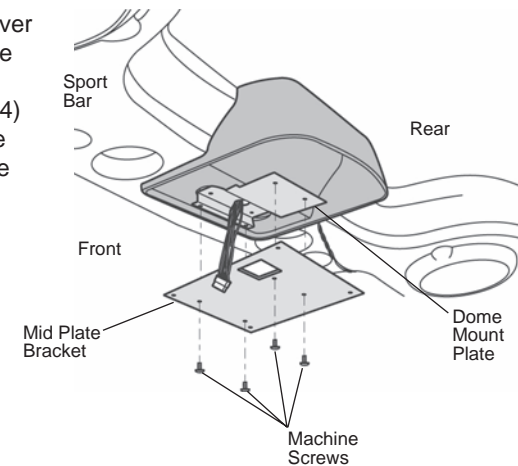
Pre-drill four (4) 3/32" pilot holes and Install four (4) Self-Drilling screws to secure the DVD Mount Cover and the Dome Mount Plate.

NOTE If your kit includes two (2) Spacers, install them between the Dome Mount Plate and the DVD Mount Cover.



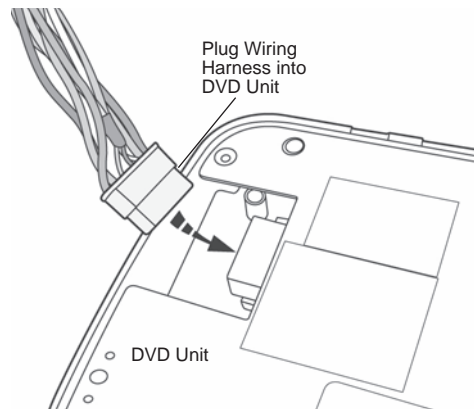
16 Install Mid Plate Bracket

Place the Mid Plate Bracket over the Dome Mount Plate with the opening the plate toward the driver's side rear. Install four (4) Machine Screws to secure the Mid Plate Bracket to the Dome Mount Plate.



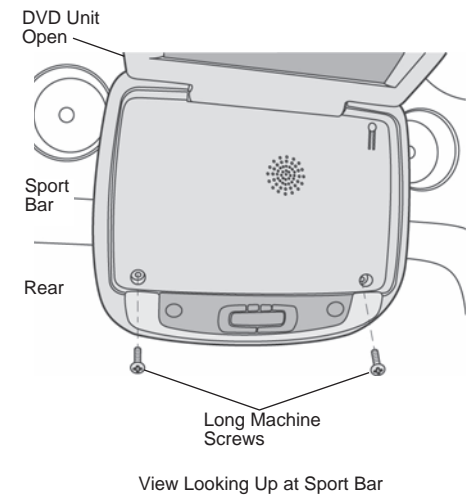
17 Connect DVD Unit

Plug the wiring harness into the DVD Unit.



18 Install DVD Unit

Position the DVD Unit on the Mid Plate Bracket. Open the DVD Unit to access the mounting holes near the control panel. Use two (2) Long Machine Screws to mount the DVD Unit to the Mid Plate Bracket.

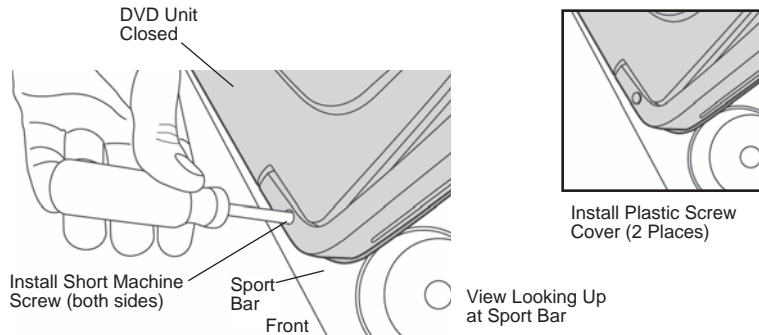


TrailMax™ DVD Console Installation Instructions

19 Install DVD Unit

Close the DVD Unit to access the forward mounting holes. Install two (2) Short Machine Screws to mount the DVD Unit to the Mid Plate Bracket.

Place the two (2) Plastic Screw Covers over the Short Machine Screws.



20 Reinstall Panels and Sun Visor

Reinstall the panel along the side of the dash.

Reinstall the A-Pillar Panel and the Molded Corner Panel.

Reinstall the passenger side Sun Visor.

Reinstall the top.

LIMITED WARRANTY

We warrant our product to be free from defects in material and workmanship, for the terms specified below, provided there has been normal use and proper maintenance. This warranty applies to the original purchaser only. All remedies under this warranty are limited to the repair or replacement of any item or items found by the factory to be defective within the time period specified. If you have a warranty claim, first you must call our factory at the number below for instructions. You must retain proof of purchase and submit a copy with any items returned for warranty work. Upon completion of warranty work, if any, we will return the repaired or replaced item or items to you freight prepaid. Damage to our products caused by accidents, fire, vandalism, negligence, misinstallation, misuse, Acts of God, or by defective parts not manufactured by us, is not covered under this warranty.

THE WARRANTY TIME PERIOD IS AS FOLLOWS FOR REPLACE-A-TOP™, SAILCLOTH REPLACE-A-TOP™, SUPERTOP®, SUPERTOP® REPLACEMENT SKINS, SUNRIDER®, AND TIGERTOP®: TWO YEARS FROM DATE OF PURCHASE.

THE WARRANTY TIME PERIOD IS AS FOLLOWS FOR ALL OTHER "SOFT GOODS" MANUFACTURED BY OUR COMPANY (USING PRIMARILY VINYL, PLASTICS, AND/OR FOAM): ONE YEAR FROM DATE OF PURCHASE.

THE WARRANTY TIME PERIOD IS AS FOLLOWS FOR ALL OTHER "HARD GOODS" MANUFACTURED BY OUR COMPANY (USING PRIMARILY METALS, PLASTICS, AND/OR FIBERGLASS): ONE YEAR FROM DATE OF PURCHASE.

ANY IMPLIED WARRANTIES OF MERCHANTABILITY AND/OR FITNESS FOR A PARTICULAR PURPOSE CREATED HEREBY ARE LIMITED IN DURATION TO THE SAME DURATION AND SCOPE AS THE EXPRESS WRITTEN WARRANTY. OUR COMPANY SHALL NOT BE LIABLE FOR ANY INCIDENTAL OR CONSEQUENTIAL DAMAGE.

Some states do not allow limitations on how long an implied warranty lasts, or the exclusion or limitation of incidental or consequential damages, so the above limitations or exclusions may not apply to you. This warranty gives you specific legal rights, and you may also have other rights which vary from state to state.

For further information or request for warranty work, please contact:

Infinity Products
1-800-562-3344
www.infinity-products.com