







# Installation Instructions TrailMax™ Overhead Console

## Vehicle Application:

- Jeep JK Wrangler and Wrangler Unlimited  
2007 – Current  
Part Number: 81680

[www.Bestop.com](http://www.Bestop.com) - We're here to help! Visit our web site and click on "[Ask a Question](#)". Click here for more [Jeep® Accessories by Bestop](#).

INSTALLATION TIME	SKILL LEVEL
 <b>3/4 Hour</b>	 <b>2 - Moderately Easy</b>
TOOLS	
 Phillips Screwdriver	 Safety Glasses



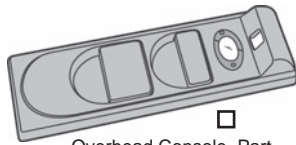
**⚠ WARNING** This product is designed primarily to enhance the appearance of the vehicle. Do not rely in any way on the components of this product to protect against injury or death in the event of an accident. Never operate the vehicle in excess of manufacturer's specifications.

### WEAR SEAT BELTS AT ALL TIMES

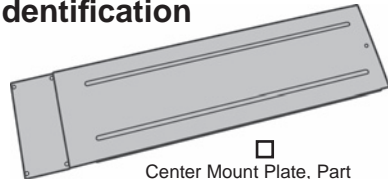
Read and follow, precisely, all installation instructions provided when installing product. Failure to do so may result in a poor fit and could place occupants of the vehicle in a potentially dangerous situation.

# TrailMax™ Overhead Console Installation Instructions

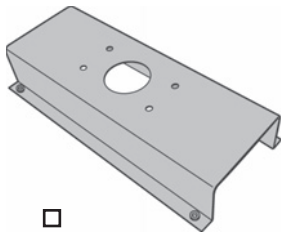
## Parts List and Hardware Identification



Overhead Console, Part Number 427.44, Qty - 1



Center Mount Plate, Part Number 427.45, Qty - 1



Center Sportbar Mount Bracket, Part Number 427.46, Qty - 1

Console Hardware Kit, Part Number 426.98, Qty - 1



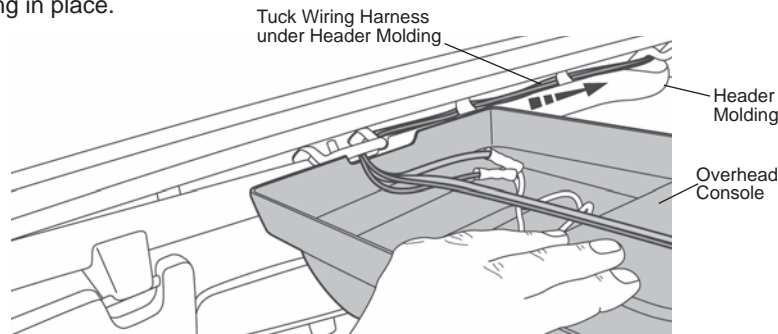
Footman Loop Bracket, Qty -1



Screws, Qty -11

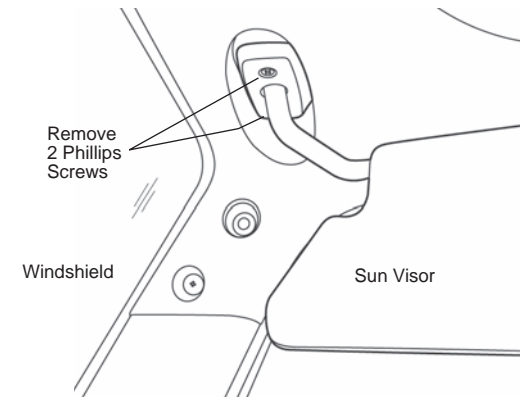
## 1 Thread Wiring Harness under Header Molding

Lower your soft top or remove your hardtop panels before starting this installation. Locate the wiring harness attached to the Overhead Console. Hold the console and pull down gently on the header molding to tuck the end of the wire harness under the molding running toward the passenger side of the vehicle. Let the console hang in place.



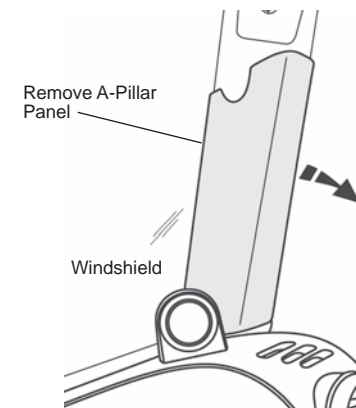
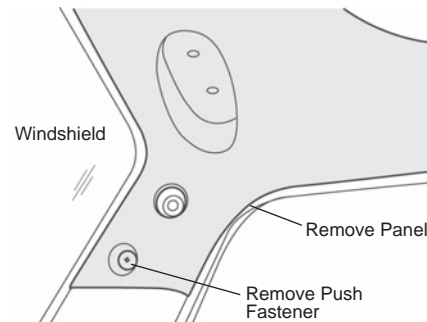
## 2 Remove Passenger Sun Visor

Use a phillips screwdriver to remove the two screws that secure the passenger side Sun Visor. Set the visor and screws aside to be reinstalled later.



## 3 Remove Molded Corner Panel and A-Pillar Panel

Remove the push fastener that holds the Molded Corner Panel in place. Set the fastener and panel aside to be reused later. Then remove the A-Pillar Panel.

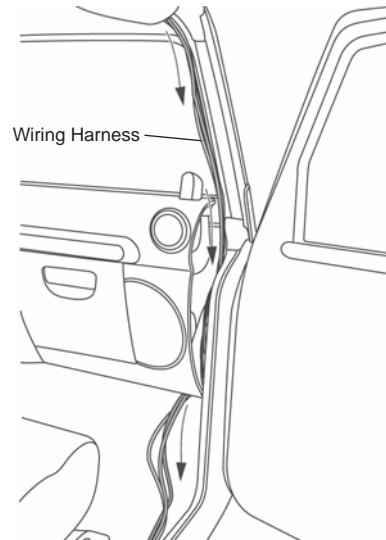


## TrailMax™ Overhead Console Installation Instructions

### 4 Thread Wire through Dash

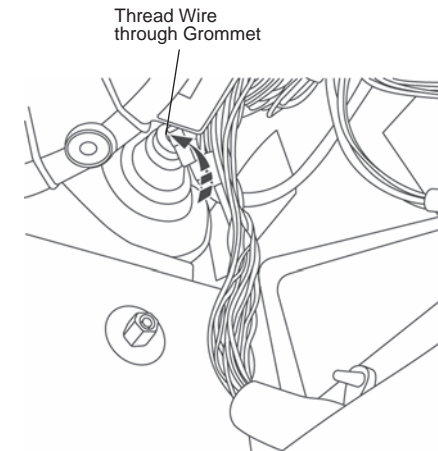
Pull the panel along the side of the dash away.

Route the wiring harness from the sport bar down along the A-Pillar and under the dash into the footwell.



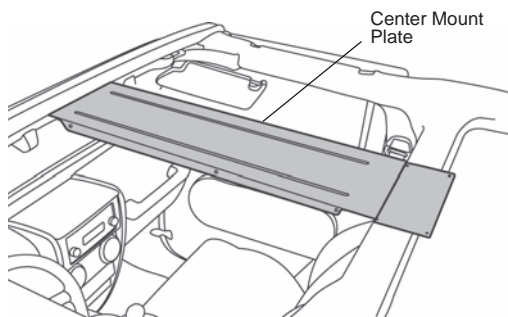
### 5 Thread Wiring Harness through Fire Wall

Continue to route the wiring harness along the route of the other bundled wires through grommet in the firewall and into the engine compartment.



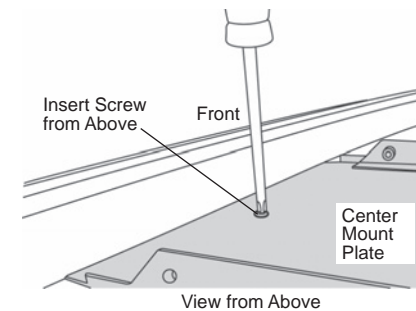
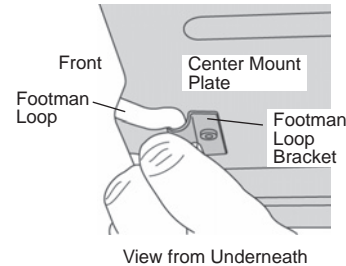
### 6 Position Center Mount Plate

Place the Center Mount Plate between the windshield and the sport bar in the center of the vehicle.



### 7 Install Footman Loop Bracket

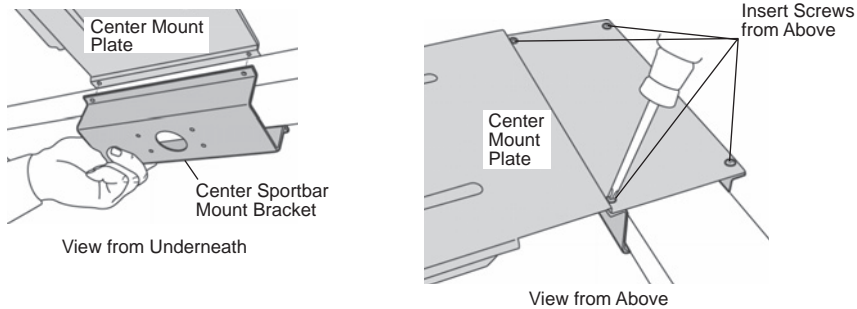
Place the Footman Loop Bracket over the footman loop above the windshield. Place a Screw through the Center Mount Plate to mount the bracket to the plate.



## TrailMax™ Overhead Console Installation Instructions

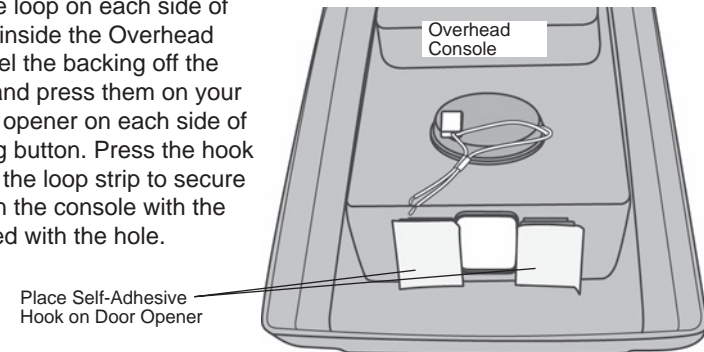
### 8 Install Center Sportbar Mount Bracket

Place the Center Sportbar Mount Bracket around the center sportbar so that the holes in the bracket line up with the holes in the Center Mount Plate. Install four (4) Screws from above the Center Mount Plate.



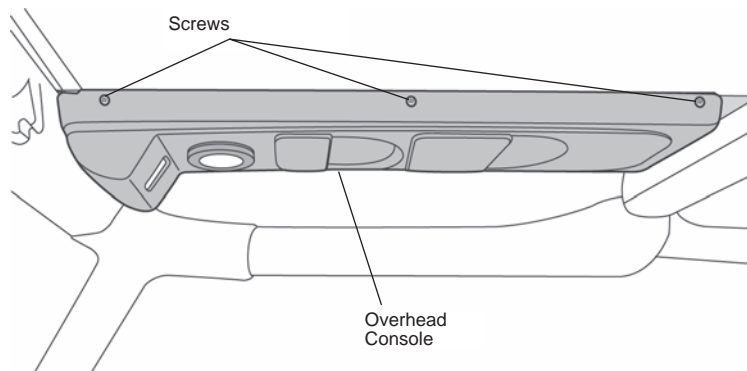
### 9 Install Garage Door Opener in Console

Separate the self-adhesive hook strip from the loop on each side of the opening inside the Overhead Console. Peel the backing off the hook strips and press them on your garage door opener on each side of the operating button. Press the hook strip against the loop strip to secure the opener in the console with the button aligned with the hole.



### 10 Mount Overhead Console to Center Mount Plate

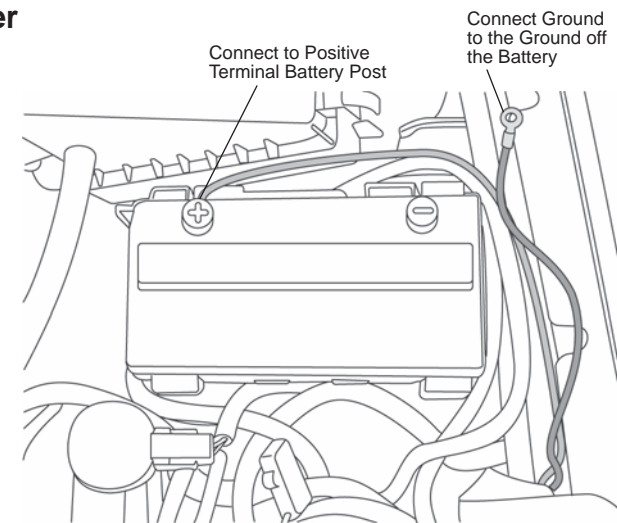
Install six (6) Screws to mount the Overhead Console to the Center Mount Plate.



### 11 Connect Power

Route the wiring harness along the engine compartment and attach it to the positive terminal on the battery.

Connect the ground on the wiring harness to the ground off the battery.



## TrailMax™ Overhead Console Installation Instructions

---

### **12** Reinstall Panels and Sun Visor

Reinstall the panel along the side of the dash.

Reinstall the A-Pillar Panel and the Molded Corner Panel.

Reinstall the passenger side Sun Visor.

---

### LIMITED WARRANTY

We warrant our product to be free from defects in material and workmanship, for the terms specified below, provided there has been normal use and proper maintenance. This warranty applies to the original purchaser only. All remedies under this warranty are limited to the repair or replacement of any item or items found by the factory to be defective within the time period specified. If you have a warranty claim, first you must call our factory at the number below for instructions. You must retain proof of purchase and submit a copy with any items returned for warranty work. Upon completion of warranty work, if any, we will return the repaired or replaced item or items to you freight prepaid. Damage to our products caused by accidents, fire, vandalism, negligence, misinstallation, misuse, Acts of God, or by defective parts not manufactured by us, is not covered under this warranty.

THE WARRANTY TIME PERIOD IS AS FOLLOWS FOR REPLACE-A-TOP™, SAILCLOTH REPLACE-A-TOP™, SUPERTOP®, SUPERTOP® REPLACEMENT SKINS, SUNRIDER®, AND TIGERTOP®: TWO YEARS FROM DATE OF PURCHASE.

THE WARRANTY TIME PERIOD IS AS FOLLOWS FOR ALL OTHER "SOFT GOODS" MANUFACTURED BY OUR COMPANY (USING PRIMARILY VINYL, PLASTICS, AND/OR FOAM): ONE YEAR FROM DATE OF PURCHASE.

THE WARRANTY TIME PERIOD IS AS FOLLOWS FOR ALL OTHER "HARD GOODS" MANUFACTURED BY OUR COMPANY (USING PRIMARILY METALS, PLASTICS, AND/OR FIBERGLASS): ONE YEAR FROM DATE OF PURCHASE.

ANY IMPLIED WARRANTIES OF MERCHANTABILITY AND/OR FITNESS FOR A PARTICULAR PURPOSE CREATED HEREBY ARE LIMITED IN DURATION TO THE SAME DURATION AND SCOPE AS THE EXPRESS WRITTEN WARRANTY. OUR COMPANY SHALL NOT BE LIABLE FOR ANY INCIDENTAL OR CONSEQUENTIAL DAMAGE.

Some states do not allow limitations on how long an implied warranty lasts, or the exclusion or limitation of incidental or consequential damages, so the above limitations or exclusions may not apply to you. This warranty gives you specific legal rights, and you may also have other rights which vary from state to state.



For further information or request for warranty work, please contact:

Bestop Inc. Customer Service  
Toll-Free: (800)845-3567  
Main: (303)465-1755  
E-mail: [csbestop@Bestop.com](mailto:csbestop@Bestop.com)  
Website: [www.Bestop.com](http://www.Bestop.com)