



*Manufacturers of Specialty Products
for Sport Utility and 4X4 Vehicles*

316 Millar Avenue; El Cajon, CA 92020
Phone (619)440-7415; FAX (619)440-0851

Part#44072

Installation Instructions

1. Remove both rear taillight assemblies. Remove the two inboard screws on the tail -lights and remove lights and disconnect wiring. Set the lights aside, all the rear brackets and support bracket installation are done through the light body access hole.
2. Remove the license plate and housing assembly using a 7mm socket. Reach inside access hole and push on clips for housing assembly to come off. Disconnect or cut license light wires, they will reconnect later in the installation. Rear bumper may have to be loosened and lowered slightly to gain access to the two lower 7mm head screws.
3. Measure and mark holes to be drilled, refer to page 3. Double check measurements before drilling. Drill holes
4. Install rear mount support brackets and inside support brackets, as shown on page 3A and 4.
5. Install rear supports to mounting brackets as shown on page 5.
6. Remove the top three bolts on each side of the windshield brackets (use T-40 socket) and install both front supports using hardware provided, as shown on page 6. Slightly tighten to hold in place. Make sure all sealed washers fit into the recess.
7. Assemble roof rack as shown on page 7.
8. Install flooring as shown on page 8.
9. Install black panel cover, course side out, and grommet, re-using the 7mm head factory screws, as shown on page 10.
10. For ease of assembly, install license plate bracket to drivers side rear support, as shown on page 10, figure 1. Install license plate and license cover (if applicable)
11. Install license plate light assembly as shown on page 10, figure 2. Feed wires through rubber grommet and back out through tail light access hole. Cut wire to desired length and connect to factory wiring, as shown on page 10, figure 2. Check license light operation.
12. Re-install tail light assemblies.
13. With some help, set the assembled roof rack and flooring on the four roof rack support arms and secure, as shown on page 9, figure 1.
14. Re-check alignment and tighten all mounting hardware.
15. Assemble the tilt brackets as shown on page 9, figure 2. Refer to page 9A for tilting instructions.
16. This type of product is always subject to nicks and scratches. Touch-up all nicks and scratches with a rust preventative satin black paint. Failure to touch-up will result in rusting. If rust is visible clean and touch up.
17. **CAUTION!!! LOADING AND WEIGHT CAPACITY**, use common sense when loading items on this roof rack. The roof rack will support more weight that the vehicle roof mounting will safely support. Use manufacturers weight limits as a guide for loading this roof rack.

WILDERNESS PRODUCTS

JEEP JK 2 DOOR ROOF RACK PART # 44072

PARTS AND HARDWARE LIST



Page 2 of 10

PARTS LIST

- 2 - RACK ENDS (4'6" X 4")
- 2 - SIDES (48 1/4" X 4")
- 8 - FLOORS (66" LONG)
- 6 - TOP CROSSBAR BRACKETS
- 2 - FRONT ROOF RACK SUPPORT MOUNTS (RIGHT & LEFT)
- 2 - REAR ROOF RACK SUPPORT MOUNTS (RIGHT & LEFT)
- 2 - TOP SUPPORT BRACKETS
- 2 - LOWER SUPPORT BRACKETS (RIGHT & LEFT)
- 2 - TILT SUPPORT BRACKETS
- 2 - INSIDE CONNECTING BRACKETS
- 4 - INSIDE SUPPORT BRACKETS (2 - 3" & 2 - 5")
- 1 - LICENSE PLATE MOUNTING BRACKET
- 1 - LICENSE PLATE LIGHT ASSEMBLY WITH 30" WIRING

HARDWARE KITS

ROOF RACK & FLOORING (PAGE 7 & 8)

- 1 - BOLT KIT # 2000
- 1 - FLOORING BOLT KIT
- Plus The Additional Hardware
- 4 - 1/4 X 1 1/4" BOLTS
- 4 - 1/4 LOCKWASHERS
- 4 - 1/4 FLATWASHERS (1 1/4" DIA.)
- 4 - BLACK PLASTIC END CAPS

REAR MOUNT SUPPORTS (PAGE 3A & 4) (INSIDE AND OUT)

- 4 - 5/16 X 1 1/2 CARRIAGE BOLTS
- 4 - 5/16 X 2 CARRIAGE BOLTS
- 2 - 5/16 X 1 BUTTON HEAD ALLEN BOLTS
- 2 - 1/4 X 1 X 3 THREADED NUT PLATE
- 8 - 5/16 USS FLATWASHERS (SILVER)
- 8 - 5/16 NYLON LOCKNUTS
- 2 - 5/16 BLACK NYLON FLATWASHERS
- 2 - 5/16 NYLON FLATWASHERS (1/8" THICK)
- 2 - OUTSIDE SUPPORT PLATES
- 2 - OUTSIDE SUPPORT PLATE GASKETS

FRONT SUPPORTS (PAGE 6)

- 6 - 8MM X 35MM X1.25P BUTTON HEAD ALLEN BOLTS (5MM ALLEN)
- 6 - 5/16 LOCKWASHERS
- 6 - 5/16 FLATWASHERS
- 6 - 5/16 SEALED WASHERS
- 6 - 5/16 BLACK NYLON FLATWASHERS

REAR SUPPORT RUBBER BUMPERS

- 2 - 1 1/2" DIA. RUBBER BUMPERS (PAGE 4A)
- 2 - 5/16 X 1 1/2 ALL THREAD BOLTS
- 4 - 5/16 JAM NUTS
- 2 - 3/8 FENDER WASHERS (1 1/2" DIA.)
- 2 - 5/15 X 1/2 BUTTON HEAD ALLEN BOLTS

ROOF RACK TOP MOUNTING (PAGE 9)

- 6 - 3/8 X 2 CARRIAGE BOLTS
- 6 - 3/8 H.D. FLATWASHERS (1 3/8" DIA.)
- 6 - REGULAR NYLON LOCK NUTS

LICENSE PLATE (PAGE 10)

- 4 - 1/4 X 3/4 PAN HEAD (PHILLOPS) BOLTS
- 4 - 1/4 FLATWASHERS
- 4 - 1/4 THIN NYLON LOCKNUTS
- 2 - 5/16 X 1 CARRIAGE BOLTS
- 2 - 5/16 FLATWASHERS
- 2 - 5/16 NYLON LOCKNUTS

LICENSE PLATE LIGHT ASSEMBLY (PAGE 10)

- 2 - 1/4 X 1 1/4 PAN HEAD (PHILLOPS) BOLTS
- 2 - 1/4 FLATWASHERS
- 2 - 1/4 THIN NYLON LOCKNUTS
- 2 - BLACK 1/4" THICK SPACERS
- 1 - PANEL COVER WITH 5/16 RUBBER GROMMET
- 2 - BLUE ELECTRICAL CONNECTORS

TILT BRACKETS (PAGE 9 & 9A)

- 2 - 5/16 X 2 ALL THREAD BOLTS
- 2 - 5/16 X 1 1/4 ALL THREAD BOLTS
- 4 - 5/16 NUTS

REAR SUPPORT MOUNTS (PAGE 5)

- 2 - 7/16 X 3 1/4 GR8 (GOLD) BOLTS
- 4 - 7/16 SAE FLATWASHERS (GOLD)
- 4 - 7/16 NYLON FLARWASHERS (1/8 THICK)
- 2 - 7/16 TOP LOCKNUTS
- 2 - 3/8 X 2 1/4 BOLTS
- 4 - 3/8 USS FLATWASHERS (1" DIA.)
- 2 - 3/8 REGULAR NYLON LOCKNUTS
- 2 - 3/8 NYLON FLATWASHERS (1/8" THICK)

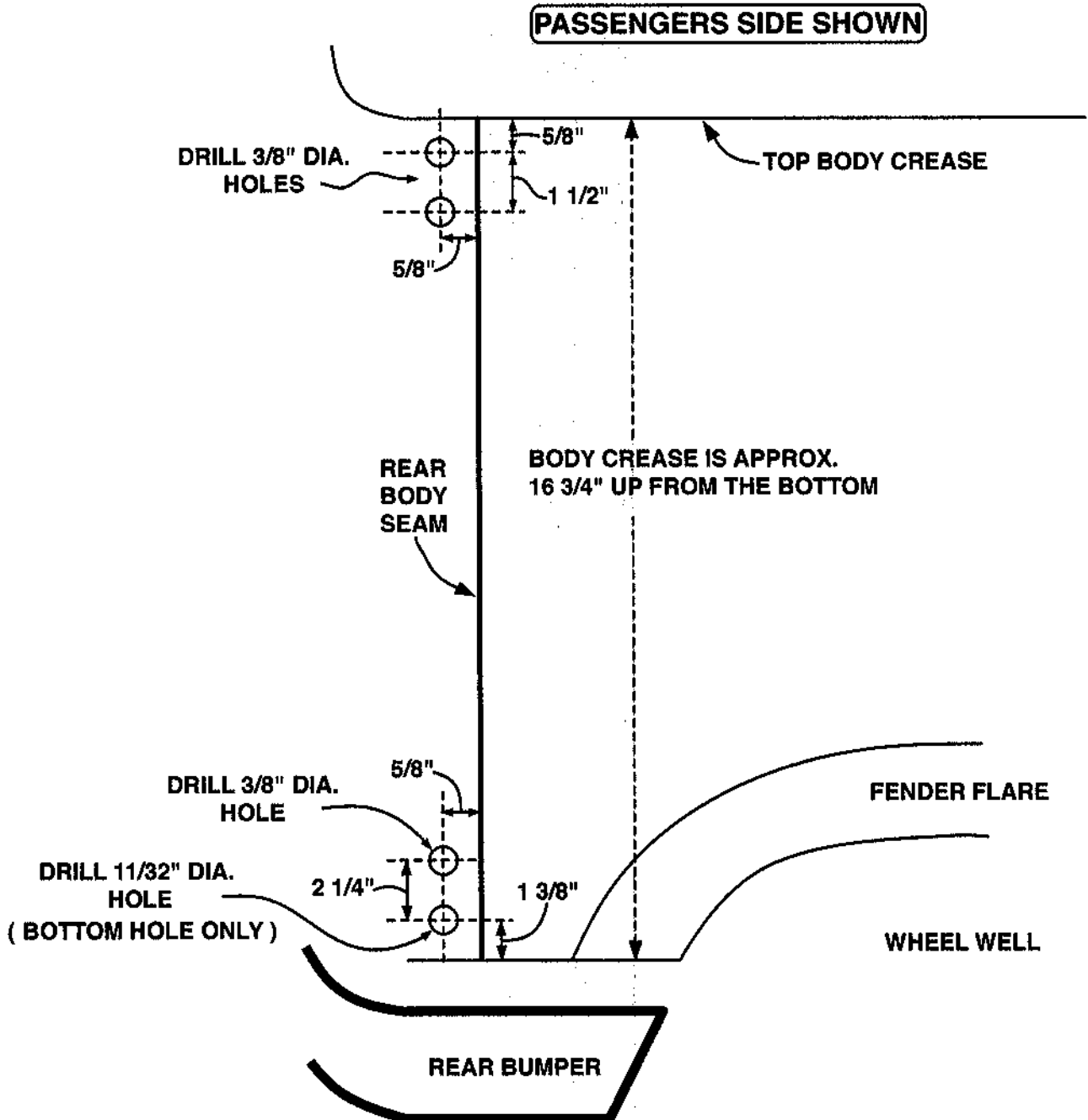
WILDERNESS PRODUCTS

JEEP JK 2 DR. AND 4 DR. EXPEDITION ROOF RACK
REAR MOUNT SUPPORTS DRILLING DIAGRAM



PAGE 3 OF 10

PUT MASTING TAPE OVER THE AREA TO BE MARKED AND DRILLED
THEN MARK AND DRILL A SMALL 1/8" DIA. PILOT HOLE FIRST,
THEN ENLARGE THE HOLE TO THE PROPER SIZE



WILDERNESS PRODUCTS

JEEP JK 2 DR AND 4 DR. EXPEDITION ROOF RACK

TOP SUPPORT BRACKET INSTALLATION



PAGE 3A OF 10

ACCESS THROUGH REMOVED TAIL LIGHT

PASSENGERS SIDE SHOWN

INSTRUCTIONS

- 1 - LAYOUT AND DRILL HOLES IN BODY REFER TO PAGE 3.
- 2 - INSTALL TOP SUPPORT, SUPPORT PLATE AND GASKET AS SHOWN ON PAGE 3A & 4.
- 3 - ALIGN SUPPORT BRACKET AND TIGHTEN THE TWO MOUNTING BOLTS (5/16 X 2 CARRIAGE)
- 4 - USING THE HOLE IN THE OUTSIDE SUPPORT PLATE AS A GUIDE, DRILL A 11/32" DIA. THROUGH THE BODY.
- 5 - SECURE AS SHOWN, USING 5/16 ALLEN BOLT AND THREADED NUT PLATE
- 6 - TIGHTEN ALL FASTENERS.

INSIDE BODY PANEL SEAM

1/4 X 1 X 3 THREADED NUT PLATE

DRILL 11/32 HOLE AFTER INSTALLATION OF TOP SUPPORT BRACKET

REAR BODY SEAM

GASKET

OUTSIDE SUPPORT PLATE GASKET

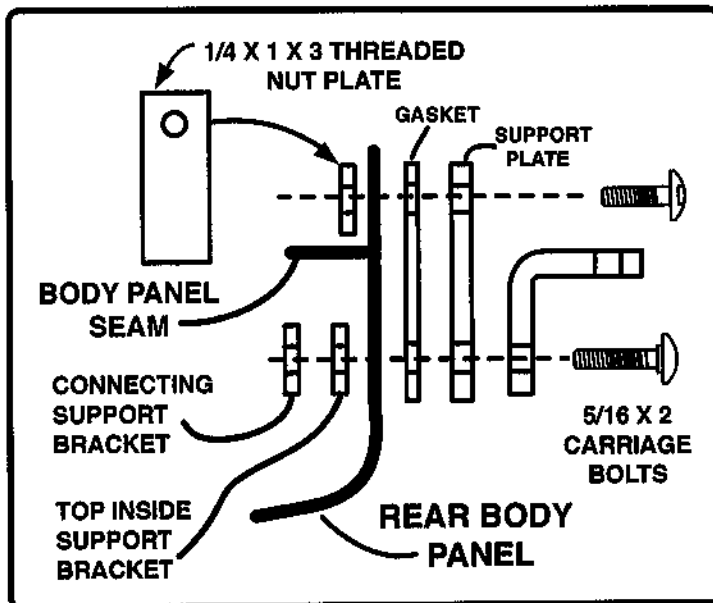
SUPPORT PLATE

OUTSIDE SUPPORT PLATE

5/16 X 1 BUTTON HEAD ALLEN BOLT

TOP SUPPORT BRACKET

5/16 X 2 CARRIAGE BOLTS



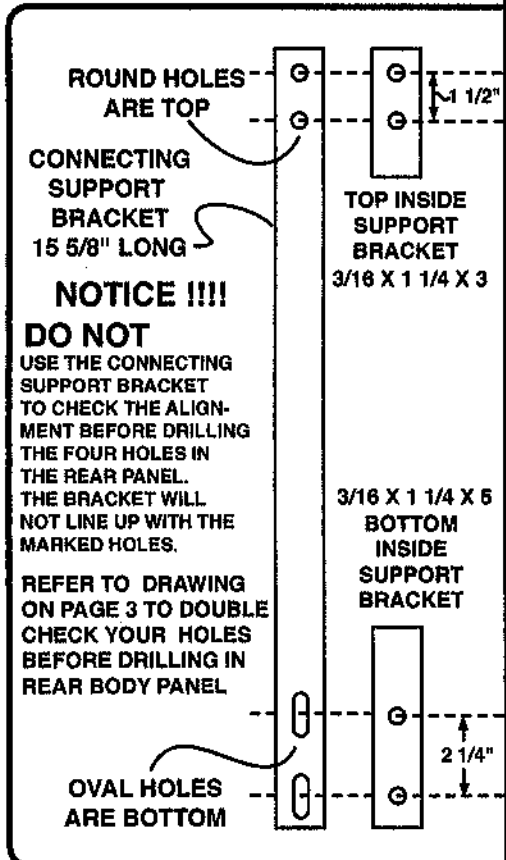
WILDERNESS PRODUCTS

JEEP JK 2 DR. AND 4 DR. EXPEDITION ROOF RACK REAR MOUNT SUPPORTS INSIDE AND OUTSIDE INSTALLATION DIAGRAM



FRONT VIEW

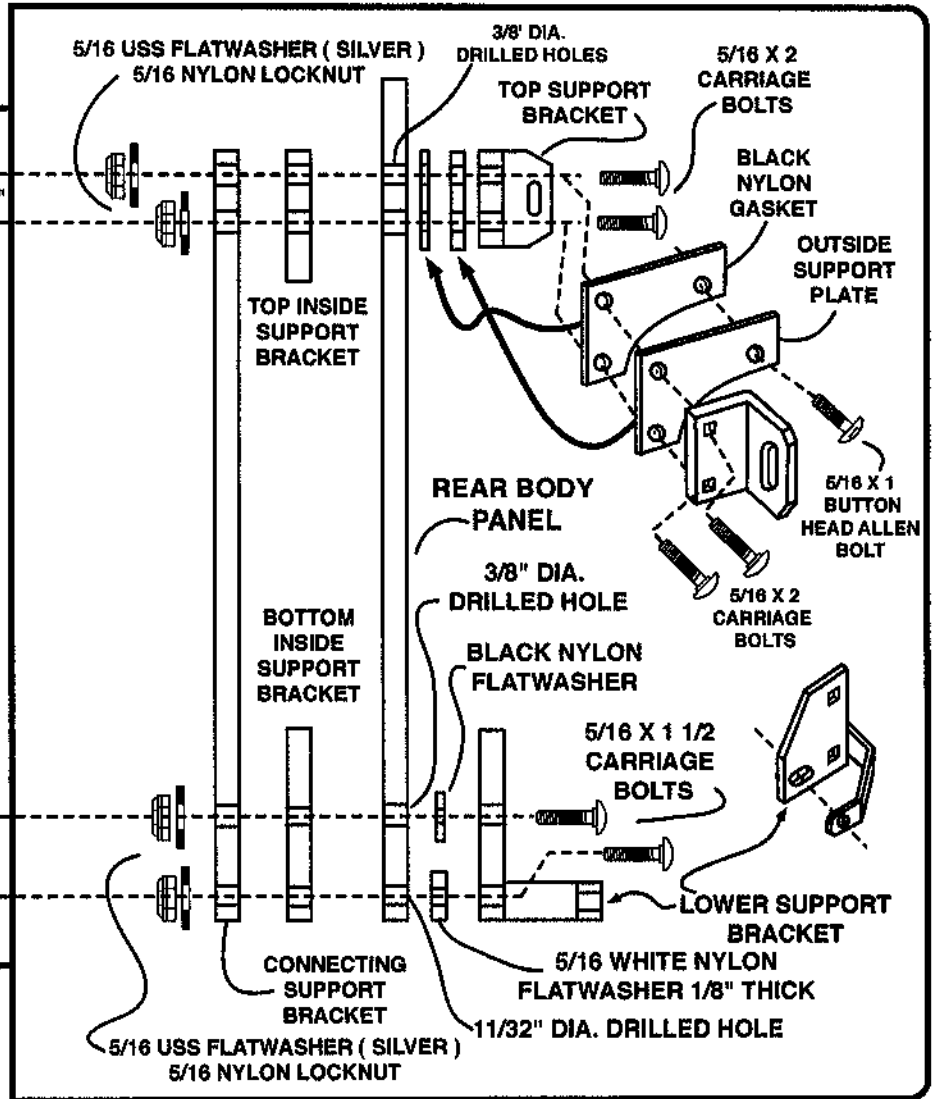
FRONT VIEW FOR PARTS IDENTIFICATION ONLY



NOTICE !!!!
DO NOT USE THE CONNECTING SUPPORT BRACKET TO CHECK THE ALIGNMENT BEFORE DRILLING THE FOUR HOLES IN THE REAR PANEL. THE BRACKET WILL NOT LINE UP WITH THE MARKED HOLES.
REFER TO DRAWING ON PAGE 3 TO DOUBLE CHECK YOUR HOLES BEFORE DRILLING IN REAR BODY PANEL

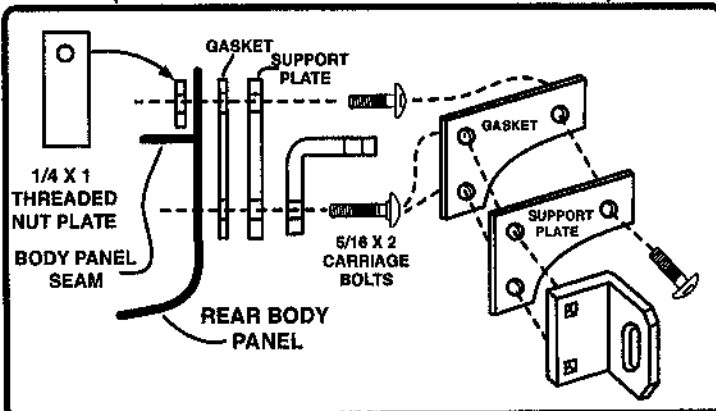
ALL THE INSTALLATION IS DONE THROUGH THE TAIL LIGHT ACCESS HOLE

SIDE VIEW



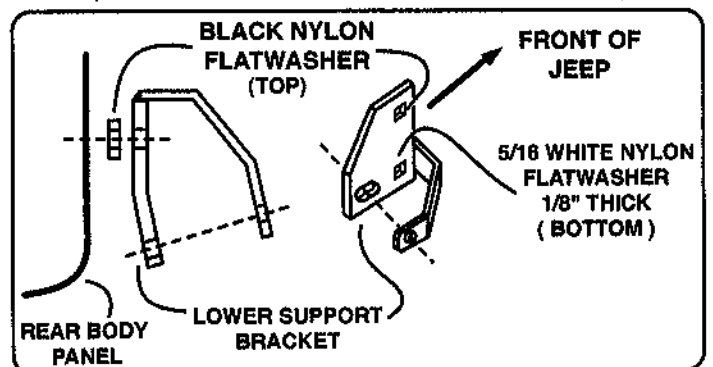
TOP VIEW

(PASSENGERS SIDE TOP SUPPORT BRACKET)



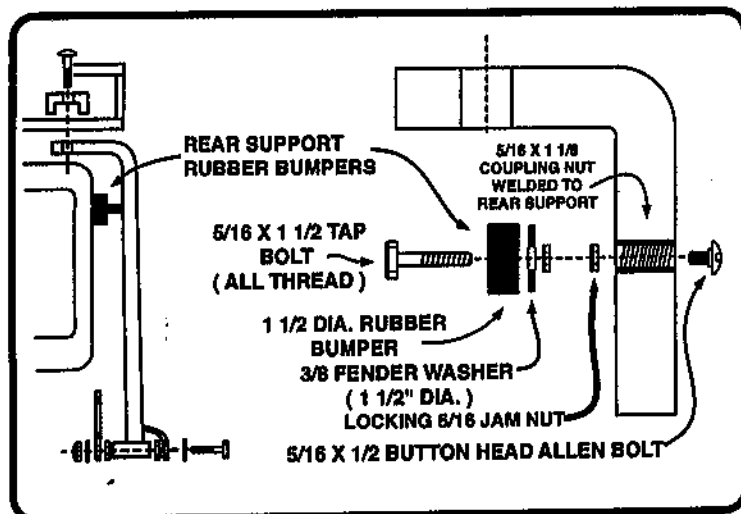
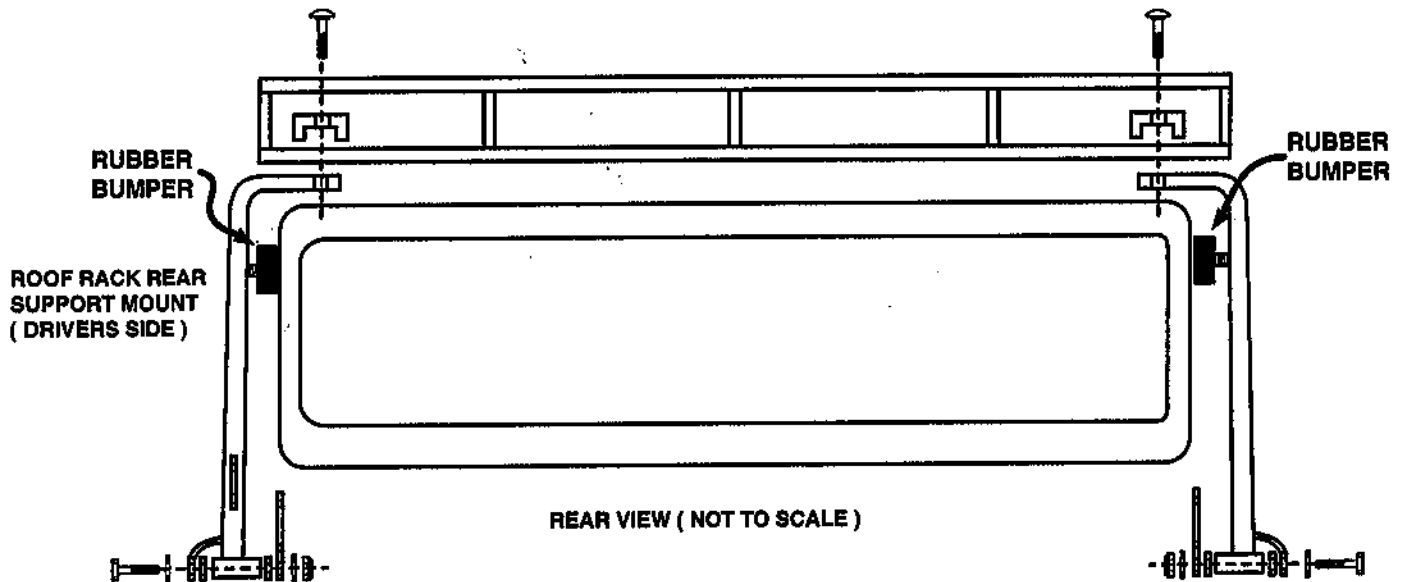
TOP VIEW

(PASSENGERS SIDE LOWER SUPPORT BRACKET)



**THIS SUPPLEMENT INSTRUCTION SHEET
 IS ONLY FOR THE JK HARDTOP MODELS**

- 1 - SCREW RUBBER BUMPER ASSEMBLY INTO THREADED COUPLING NUT THAT IS WELDED ON THE REAR SUPPORT ARMS. THIS SHOULD BE DONE BEFORE INSTALLING REAR SUPPORTS TO JEEP.**
- 2 - AFTER COMPLETING THE ROOF RACK INSTALLATION, ADJUST THE RUBBER BUMPER SLIGHTLY AGAINST THE TOP AND SECURE WITH THE LOCKING JAM NUT.**



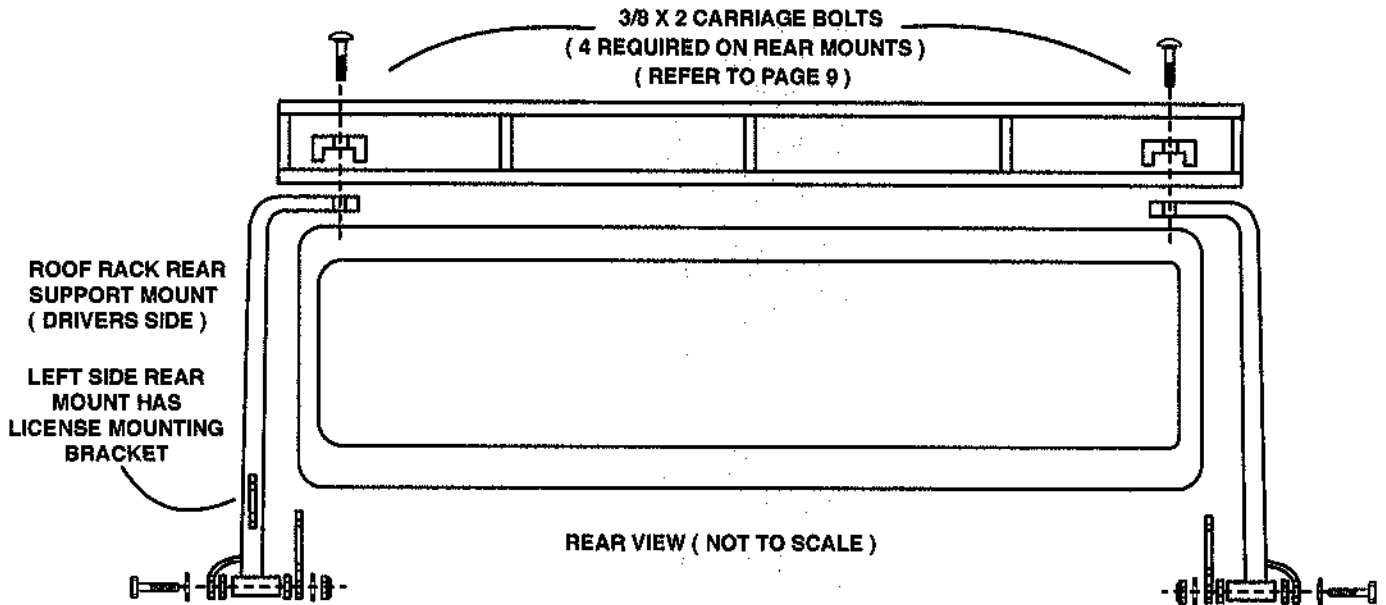
PARTS LIST

REAR SUPPORT RUBBER BUMPERS

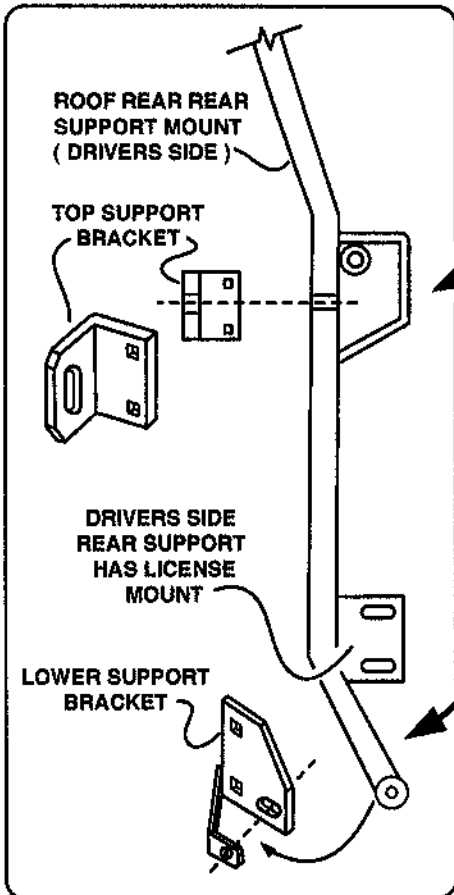
- 2 - 1 1/2" DIA. RUBBER BUMPERS**
- 2 - 5/16 X 1 1/2 ALL THREAD BOLTS**
- 4 - 5/16 JAM NUTS**
- 2 - 3/8 FENDER WASHERS (1 1/2" DIA.)**
- 2 - 5/16 X 1/2 BUTTON HEAD ALLEN BOLTS**

WILDERNESS PRODUCTS

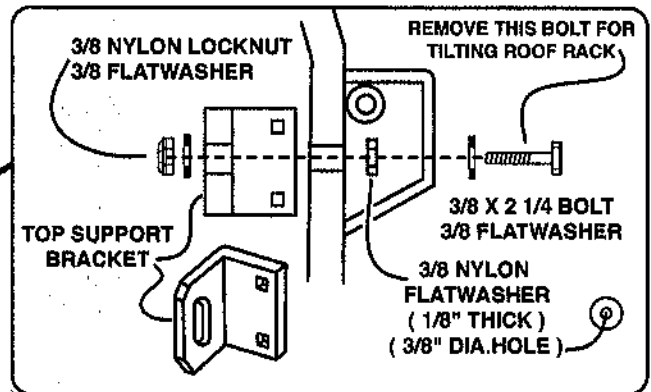
JEEP JK 2 DR. AND 4 DR. EXPEDITION ROOF RACK REAR MOUNTING SUPPORTS



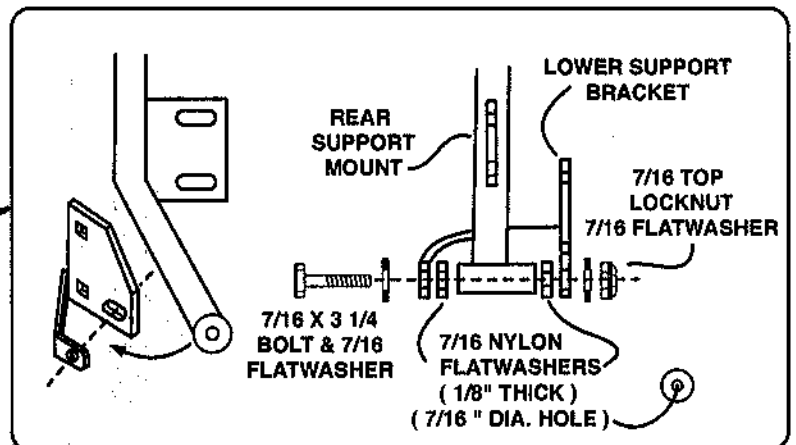
SIDE VIEW (DRIVERS SIDE)



TOP SUPPORT BRACKET ASSEMBLY



LOWER SUPPORT BRACKET ASSEMBLY

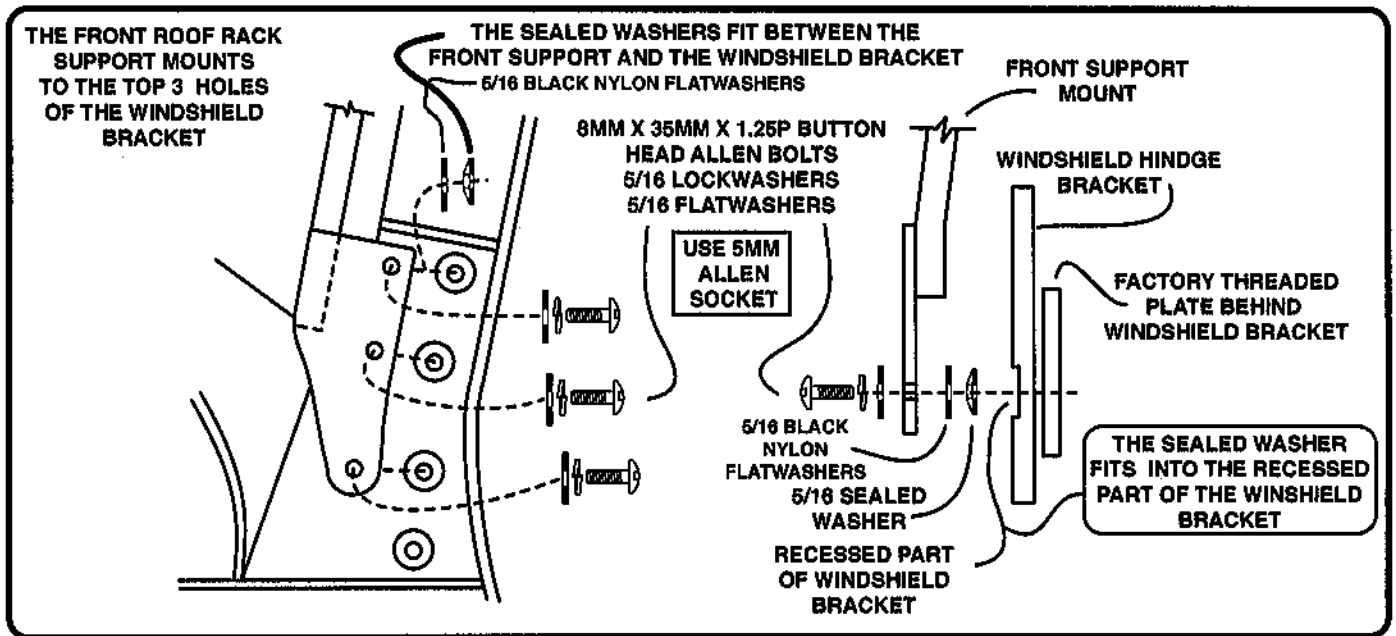
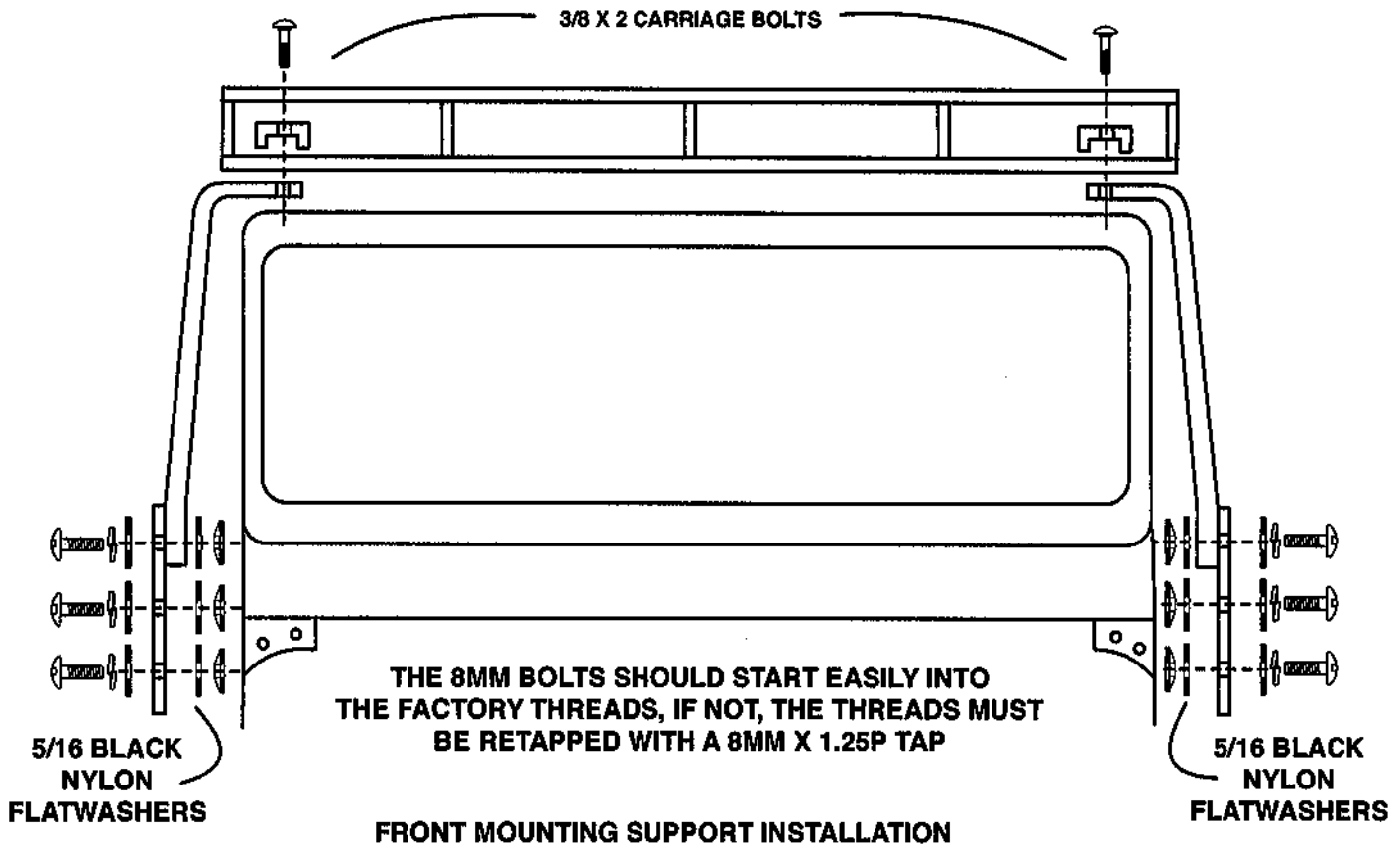


WILDERNESS PRODUCTS

JEEP JK 2 DR. AND 4 DR. EXPEDITION ROOF RACK FRONT MOUNTING SUPPORTS



PAGE 6 OF 10



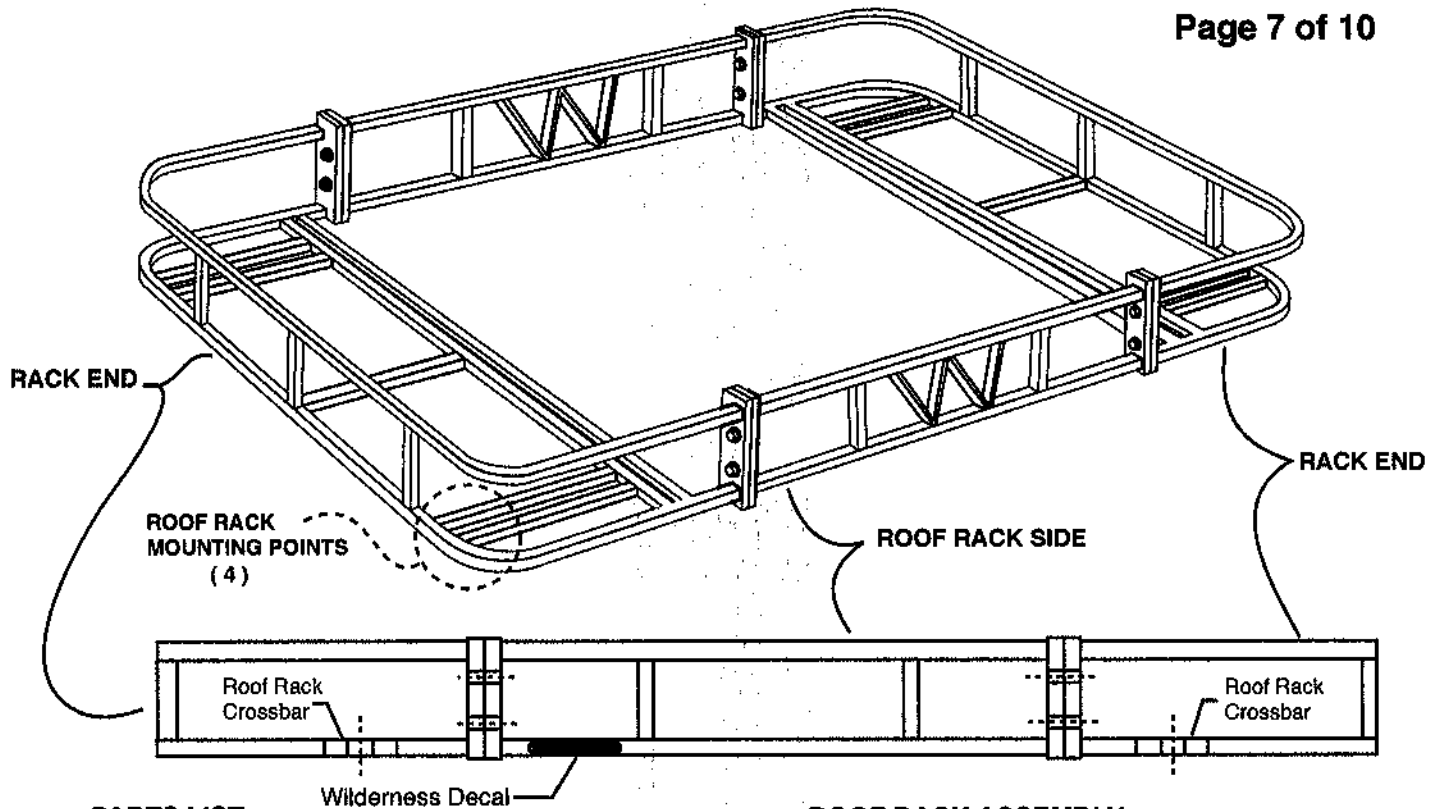
WILDERNESS OFF ROAD RACK SERIES

GENERAL ASSEMBLY INSTRUCTION (JEEP JK 2 DOOR)

PART # 44072 SIZE 4' 6" x 6" x 4"



Page 7 of 10



PARTS LIST

ROOF RACK ASSEMBLY

- 1- FRONT RACK END (4' 6" x 4")
- 1- REAR RACK END (4' 6" x 4")
- 1- BOLT KIT # 2000
- 2- SIDES (48 1/4" x 4")

- 1 - Assemble roof rack ends to roof rack sides as shown in figures I and J.
- 2 - Align and tighten all fasteners.
- 3 - Roof rack flooring and vehicle mounting are shown in their respective installation instructions.

LIGHT MOUNTING BRACKET
PART# 88134 (each)

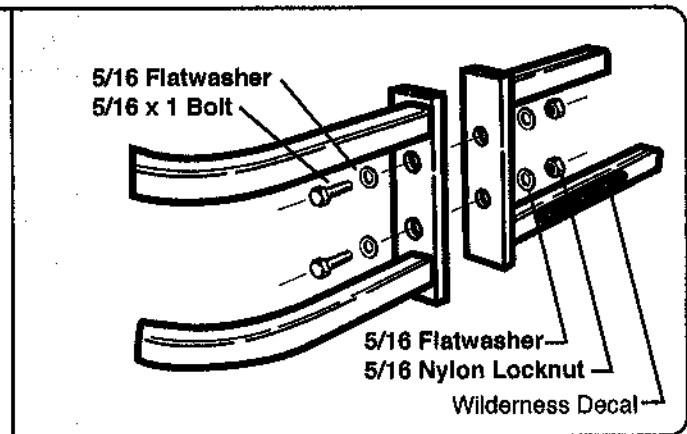
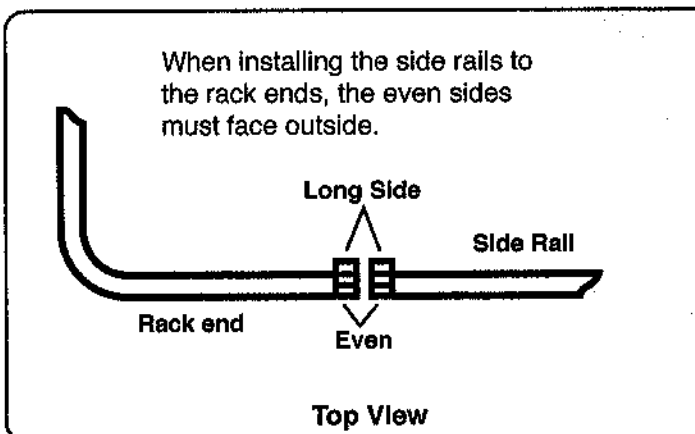
WIND DEFLECTOR PART # 29964

CAUTION!!! LOADING and WEIGHT CAPACITY

- 1 - Use common sense when loading items on this roof rack.
- 2 - The roof rack will support more weight than the vehicle roof mounting will safely support.
- 3 - As a general rule up to 300 Lbs. evenly distributed is a safe load for this rack.

FIGURE I

FIGURE J



WILDERNESS ROOF RACK FLOORING

ASSEMBLY INSTRUCTIONS PART # 44072

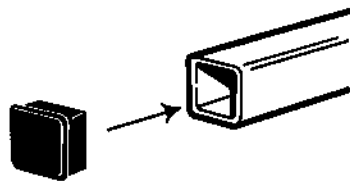
JEEP JK 2 DOOR



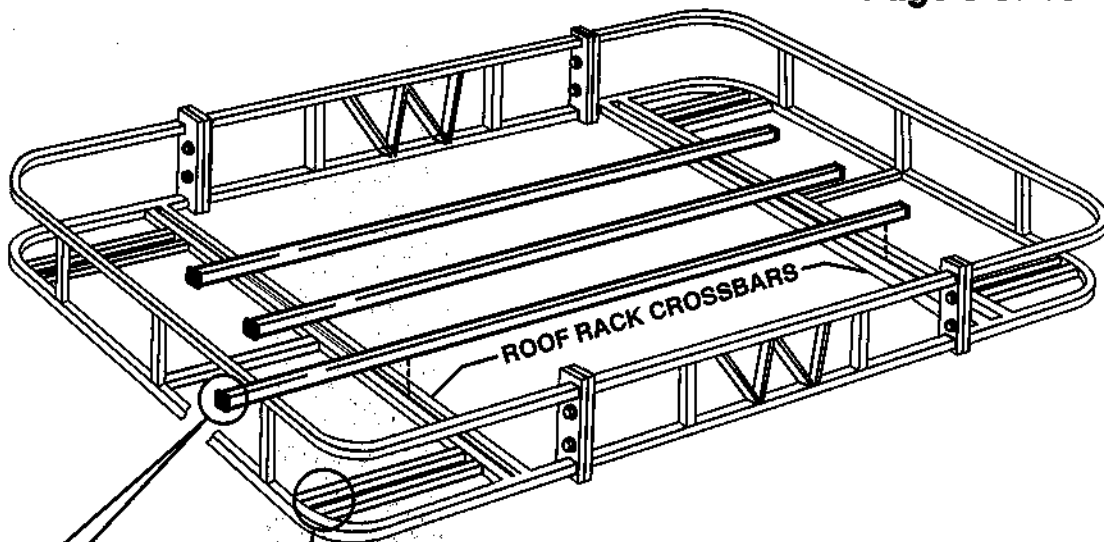
Page 8 of 10

FIGURE K

Install black plastic plugs into end of flooring. Use silicon around plug before installing for added protection in (wet) weather conditions.



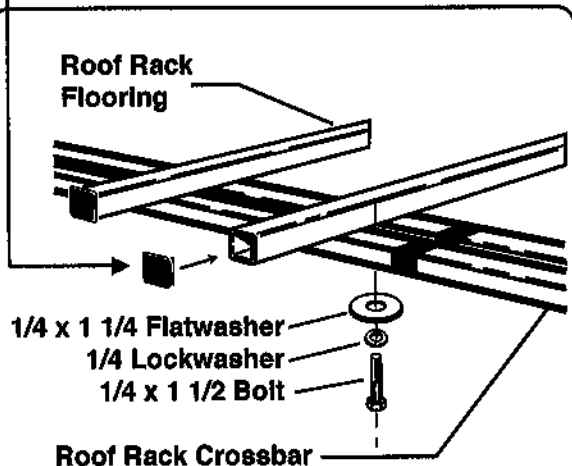
BLACK PLASTIC END CAP



ROOF RACK MOUNTING POINTS (4)

THE 8 FLOOR PIECES THAT ARE SUPPLIED WITH THIS KIT, MOUNT ON THE TOP OF THE ROOF RACK CROSSBARS AS SHOWN. ADDITIONAL FLOOR PIECES CAN BE PURCHASED FROM GARVIN INDUSTRIES.

FIGURE L



Apply Loctite to threads of 1/4 x 1 1/2" bolts for off road use.

SEE YELLOW CAUTION SHEET BEFORE TIGHTENING FLOORING BOLTS

PARTS LIST

- 8 - FLOOR PIECES (66")
- 1 - FLOORING BOLT KIT
- PLUS THE ADDITIONAL HARDWARE
- 4 - 1/4 X 1 1/4" BOLTS
- 4 - 1/4 LOCKWASHERS
- 4 - 1/4 FLATWASHERS (1 1/4" DIA.)
- 4 - BLACK PLASTIC END CAPS

INSTALLATION INSTRUCTIONS

- 1 - INSTALL BLACK PLASTIC END CAPS IN FLOOR ENDS (FIGURE K)
- 2 - INSTALL FLOORS TO ROOF RACK CROSSBARS (FIGURE L)
- 3 - START ALL BOLTS IN FLOORING (FIGURE B), LEAVE BOLTS LOOSE, EVENLY SPACE FLOORS ON ROOF RACK.
- 4 - ALIGN FLOORS AND THEN READ THE YELLOW CAUTION SHEET (ENCLOSED) BEFORE TIGHTENING 1/4 X 1 1/2" BOLTS.
- 5 - WHEN SPACING THE TWO (2) OUTBOARD FLOORS, MAKE SURE THEY CLEAR THE ROOF RACK MOUNTING POINTS AS SHOWN IN THE DRAWING ABOVE.
- 6 - WHEN INSTALLING THE SPARE TIRE CARRIER PART# 29880, THE TWO MIDDLE FLOORS MUST BE SPACED SO THE OUTSIDE MEASUREMENT IS 5 3/8".

CAUTION !!!

DO NOT MOUNT A TIRE AND WHEEL ASSEMBLY LARGER THAN 31" ON THIS RACK.
IF YOU MOUNT A SPARE ON THE RACK, MOUNT THE TIRE OVER THE CROSSBAR, NOT IN THE MIDDLE OF THE RACK.
DO NOT DRIVE OFF ROAD IN EXTREME CONDITIONS WITH A SPARE TIRE IN THE RACK.

A QUALITY SWING-A-WAY TIRE CARRIER AND BUMPER ASSEMBLY, SUCH AS THE WILDERNESS PART# 34900 IS HIGHLY RECOMMENDED FOR ALL TIRES OVER 31" WHILE DRIVING IN ROUGH OFF ROAD CONDITIONS

WILDERNESS PRODUCTS

JEEP JK 2 DR. AND 4 DR. EXPEDITION ROOF RACK
ROOF RACK TOP MOUNTING AND TILT BRACKETS



PAGE 9 OF 10

FIGURE 1

FRONT MOUNTING

REAR MOUNTING

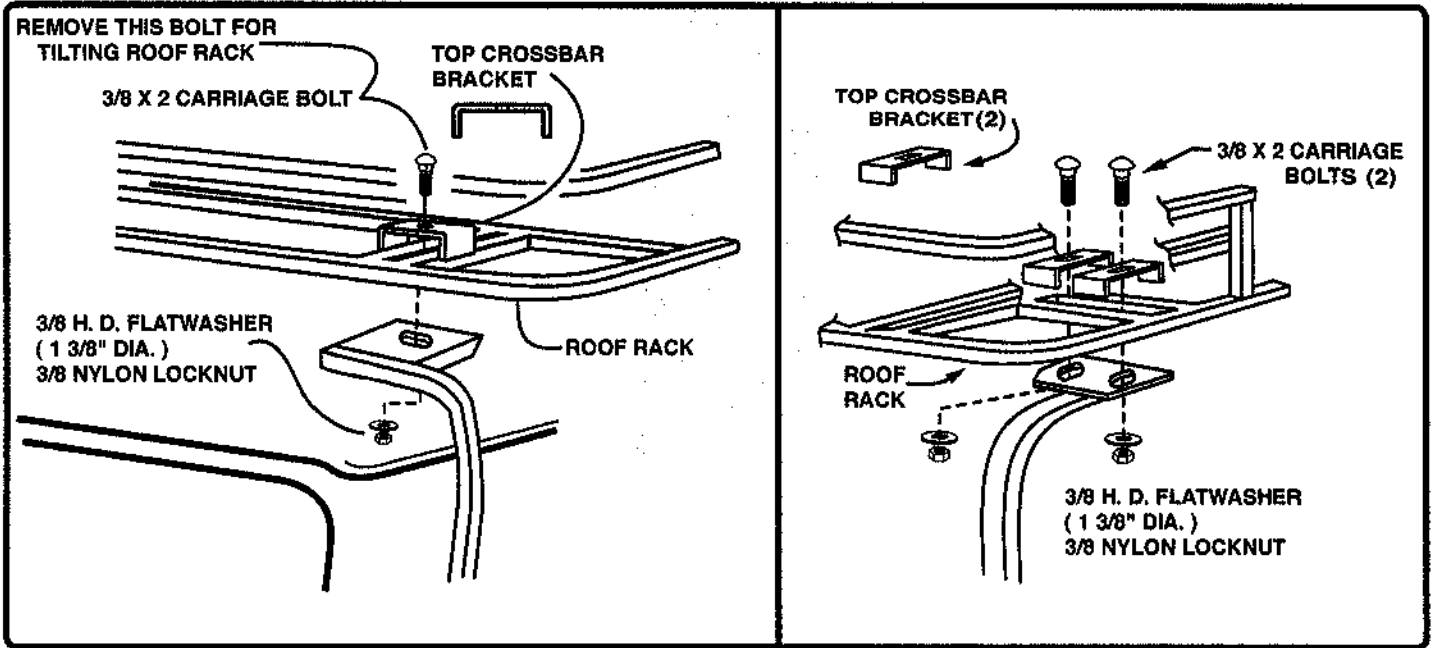
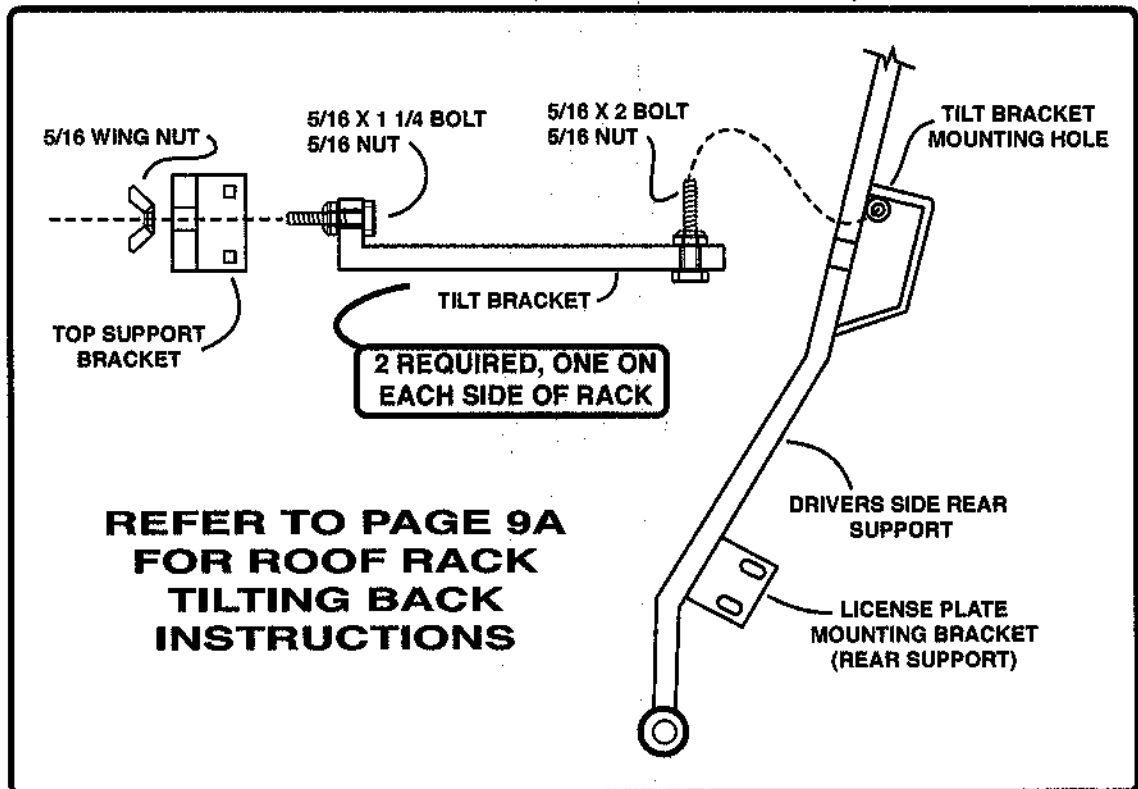


FIGURE 2

TILT BRACKET (DRIVERS SIDE SHOWN)



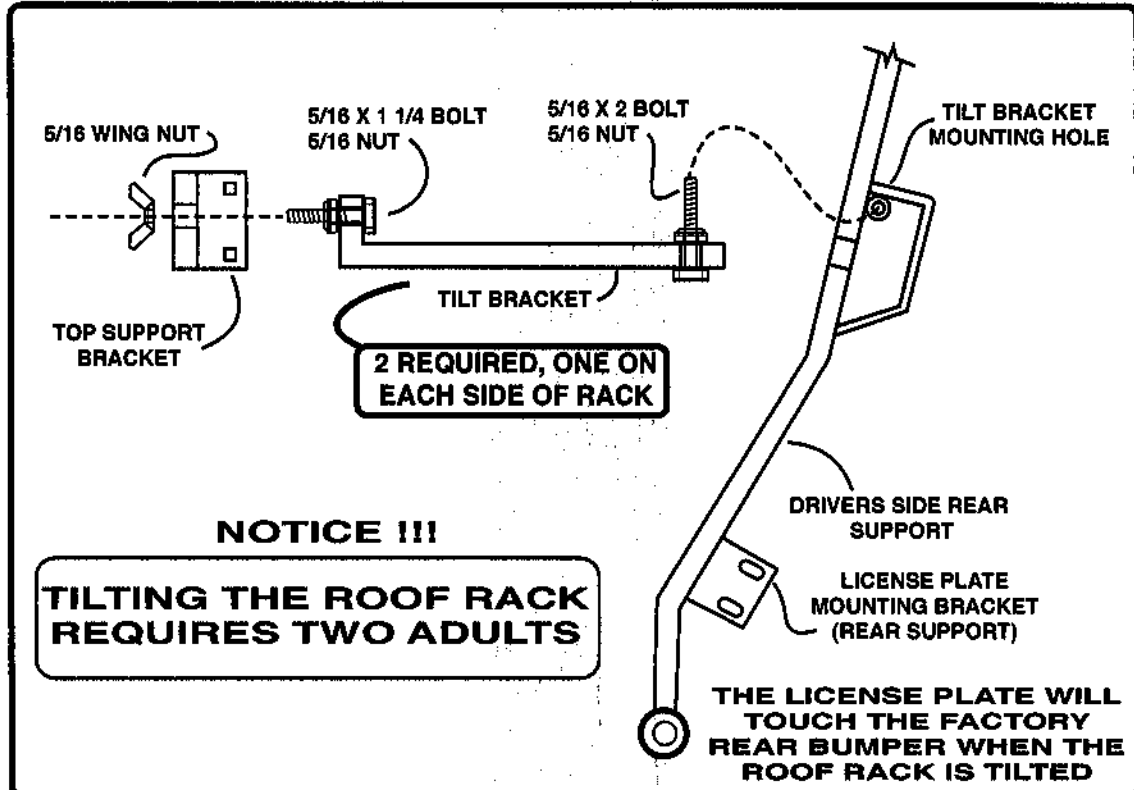
WILDERNESS PRODUCTS

JEEP JK 2 DR. AND 4 DR. EXPEDITION ROOF RACK TILTING THE ROOF RACK



PAGE 9A OF 10

TILT BRACKET (DRIVERS SIDE SHOWN)



- 1- ROOF RACK MUST BE EMPTY
- 2- REMOVE FRONT TOP ROOF RACK MOUNTING BOLTS, REFER TO PAGE 9 FIGURE 1
- 3- REMOVE TOP SUPPORT BOLTS ON BOTH REAR SUPPORTS, REFER TO PAGE 5
- 4- EACH PERSON GRABS THE ROOF RACK AND THE REAR SUPPORT ON EACH SIDE AND PULLS BACK ON THE RACK, WHEN THE RACK IS HIGH ENOUGH IT WILL SOME WHAT BALANCE ITSELF. HOLD THE RACK UP WHILE INSTALLING THE TILT BRACKETS.
- 5- INSTALL THE TILT BRACKETS IN THE ROUND HOLES IN THE REAR SUPPORTS, REFER TO ABOVE DRAWING
- 6- SLOWLY LET THE RACK GO FORWARD AS YOU GUIDE THE TILT BRACKET BOLT INTO THE TOP SUPPORT BRACKET AS SHOWN IN ABOVE DRAWING.
- 7- SECURE WITH THE 5/16 WING NUT.

- 8- TO LET THE ROOF RACK BACK DOWN, REVERSE THE PROCEDURE, AND LET THE RACK DOWN SLOWLY.
- 9- RE-SECURE THE ROOF RACK TO THE MOUNTING SUPPORTS.

WILDERNESS PRODUCTS

JEEP JK 2 DR. AND 4 DR. EXPEDITION ROOF RACK
LICENSE PLATE ASSEMBLY AND WIRING



PAGE 10 OF 10

FIGURE 1 (LICENSE PLATE MOUNTING)

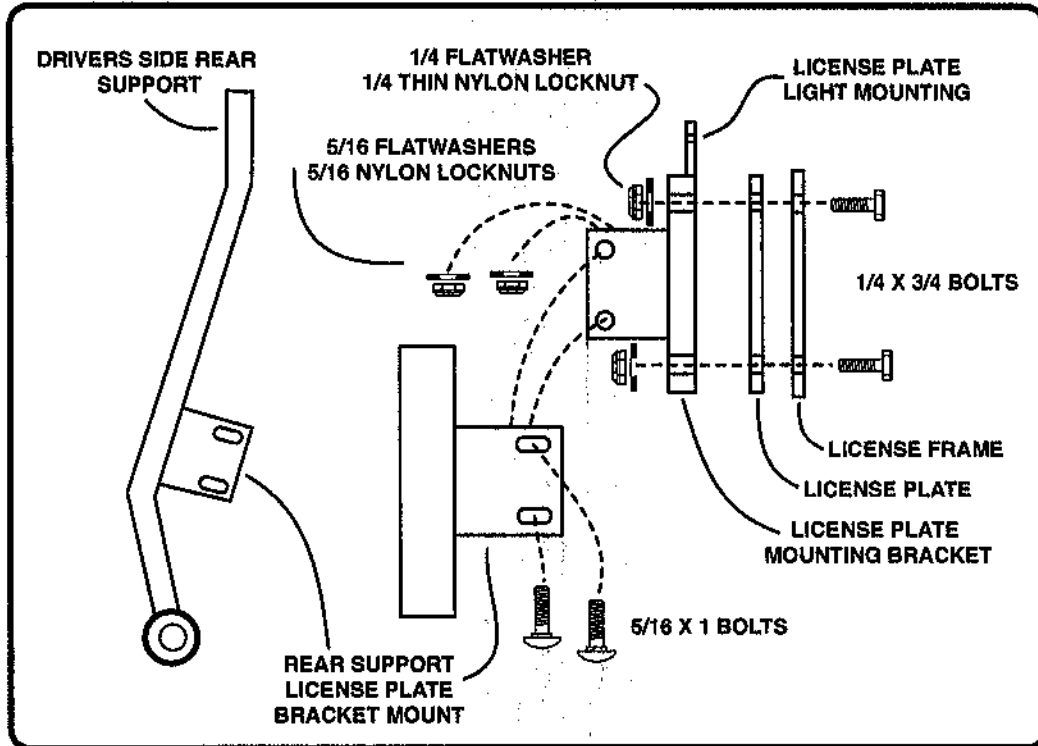


FIGURE 2 (LICENSE PLATE LIGHT AND WIRING INSTALLATION)

