



# CD6112

## Instruction Manual





## TABLE OF CONTENTS

Table of Contents .....	i
Introduction .....	1
Installation .....	2
Wiring Diagram .....	4
Front Panel Release .....	5
Operation .....	6
Tuner Operation .....	8
CD Player Operation .....	9
Remote Control .....	10
Care and Maintenance .....	11
Troubleshooting .....	12
Specifications .....	13



## **INTRODUCTION**

Congratulations on your purchase of the Jensen CD6112 Mobile Receiver. It's a good idea to read all of the instructions before beginning the installation. We recommend having your Jensen CD6112 installed by a reputable installation shop.

### **Features**

#### ***CD***

- CD R / RW Compatible
- Last Position Memory
- Audible Forward / Reverse Track Search
- Random, Repeat and Intro
- Play, Pause, Stop, Next Track and Previous Track

#### ***AM-FM***

- USA / Europe Frequency Spacing
- 30 Station Presets (18 FM / 12 AM)
- Stereo / Mono
- Local / Distance
- Auto Store / Preview Scan

#### ***Chassis***

- Detachable Faceplate
- 1.0 DIN (Import / ISO-DIN Mountable)
- 8 Character / Segment Type LCD Display
- Chassis Mounted Rear Auxiliary Inputs

#### ***General***

- Infrared Remote Control
- Media Adapter Cable (2 meter male 3.5mm to male RCA cable)
- Programmable Volume Control
- Three Preset EQ Curves
- Loudness
- Rotary Encoder Audio Control
- Beep Tone Confirmation (On-OFF Option)
- Rear Line Output
- 200-Ohm Preamp Line Outputs
- 2VRMS Line Outputs

## INSTALLATION

This unit is designed for installation in cars, trucks and vans with an existing radio opening. In many cases, a special installation kit will be required to mount the radio to the dashboard. These kits are available at electronics supply stores and car stereo specialty shops. Always check the kit application before purchasing to make sure the kit works with your vehicle. If you have trouble locating a kit or need installation assistance, contact Technical Support at 1-800-323-4815 from 8:30am to 7:00pm EST Monday through Friday and from 9:00am to 5:00pm EST on Saturday.

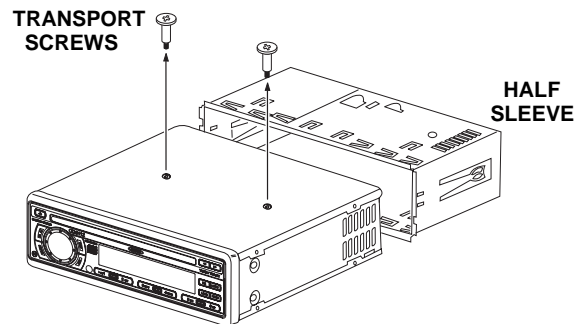
### Tools and Supplies

The following tools and supplies are needed to install the radio:

- Torx type, flathead and Philips screwdrivers
- Wire cutters and strippers
- Tools to remove existing radio (screwdriver, socket wrench set or other tools)
- Electrical tape
- Crimping tool
- Volt meter/test light
- Crimp connections
- 18 gauge wire for power connections
- 16-18 gauge speaker wire

### Preparation

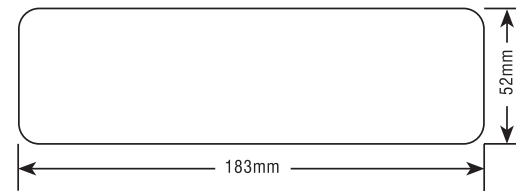
1. **Disconnect Battery**  
Before you begin, always disconnect the battery negative terminal.
2. **Remove Transport Screws**



3. **Remove Radio from Sleeve**  
Lift latches on both sides of sleeve to remove half-sleeve from radio.

### Using the Mounting Sleeve

1. Slide the mounting sleeve off the chassis. If it is locked into position, use the removal tools (supplied) to disengage it.
2. Check the dashboard opening size by sliding the mounting sleeve into it.

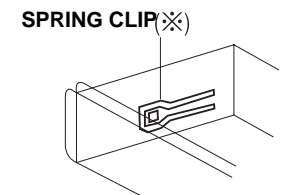


If the opening is too small, carefully cut or file as necessary until the sleeve easily slides into the opening. Do not force the sleeve into the opening or cause it to bend or bow. Check for sufficient space behind the dashboard for the radio chassis.

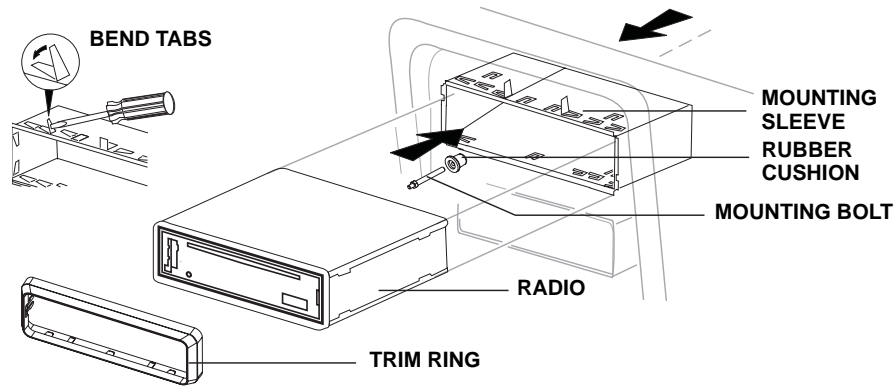
3. Locate the series of bend tabs along the top, bottom, and sides of the mounting sleeve. With the sleeve fully inserted into the dashboard opening, bend as many of the tabs outward as necessary to firmly secure the sleeve to the dashboard.

**CAUTION: For proper operation of the CD player, the chassis must be mounted within 20° of horizontal. Make sure the unit is mounted within this limitation.**

4. Place the radio in front of the dashboard opening so the wiring can be brought through the mounting sleeve. Follow the wiring diagram carefully and make certain all connections are secure and insulated with wire nuts or electrical tape. See "Wiring Diagram" on page 4. After completing the wiring connections, turn the unit on to confirm operation (vehicle ignition must be on). If the unit does not operate, re-check all wiring until the problem is corrected.
5. Make sure the radio is right-side up, then carefully slide the radio into the mounting sleeve until it is fully seated and the spring clips lock it into place.
6. Secure the rear of the unit to the car body using the mounting bolt and rubber cushion.



7. Test the radio using the Operating Instructions that follow.



### Kit Installation

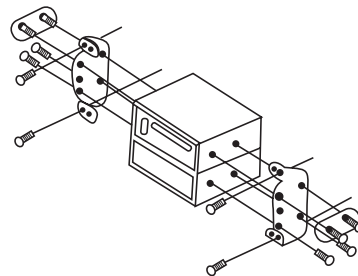
If your vehicle requires the use of an installation kit to mount this radio, follow the instructions included with the installation kit to attach the radio to the mounting plate supplied with the kit.

1. Wire and test the radio as outlined in the Universal Installation instructions.
2. Install the radio/mounting plate assembly to the sub-dashboard according to the instructions in the installation kit.
3. Attach the support strap to the radio and dashboard as described in the Universal Installation instructions.
4. Replace the dashboard trim panel.

### ISO Installation

This unit has threaded holes in the chassis side panels which may be used with the original factory mounting brackets of some vehicles to mount the radio to the dashboard. Please consult with your local car stereo shop for assistance on this type of installation.

1. Remove the existing factory radio from the dashboard or center console mounting. Save all hardware and brackets as they will be used to mount the new radio.



2. Carefully unsnap the plastic frame from the front of the new radio chassis. Remove and discard the frame.
3. Remove the factory mounting brackets and hardware from the existing radio and attach them to the new radio. Do not exceed M5 x 9 MM maximum screw size. Longer screws may damage components inside the chassis.
4. Wire the new radio to the vehicle as outlined in the Universal Installation instructions.
5. Mount the new radio assembly to the dashboard or center console using the reverse procedure of step 1.

### Fuses

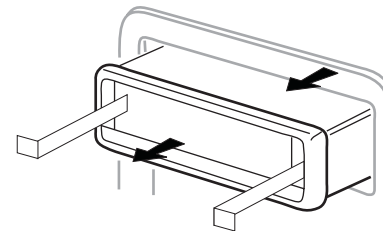
When replacing a fuse, make sure the new fuse is the correct type and amperage. Using an incorrect fuse could damage the radio.

### Reconnect Battery

When wiring is complete, reconnect the battery negative terminal.

### Removing the Radio

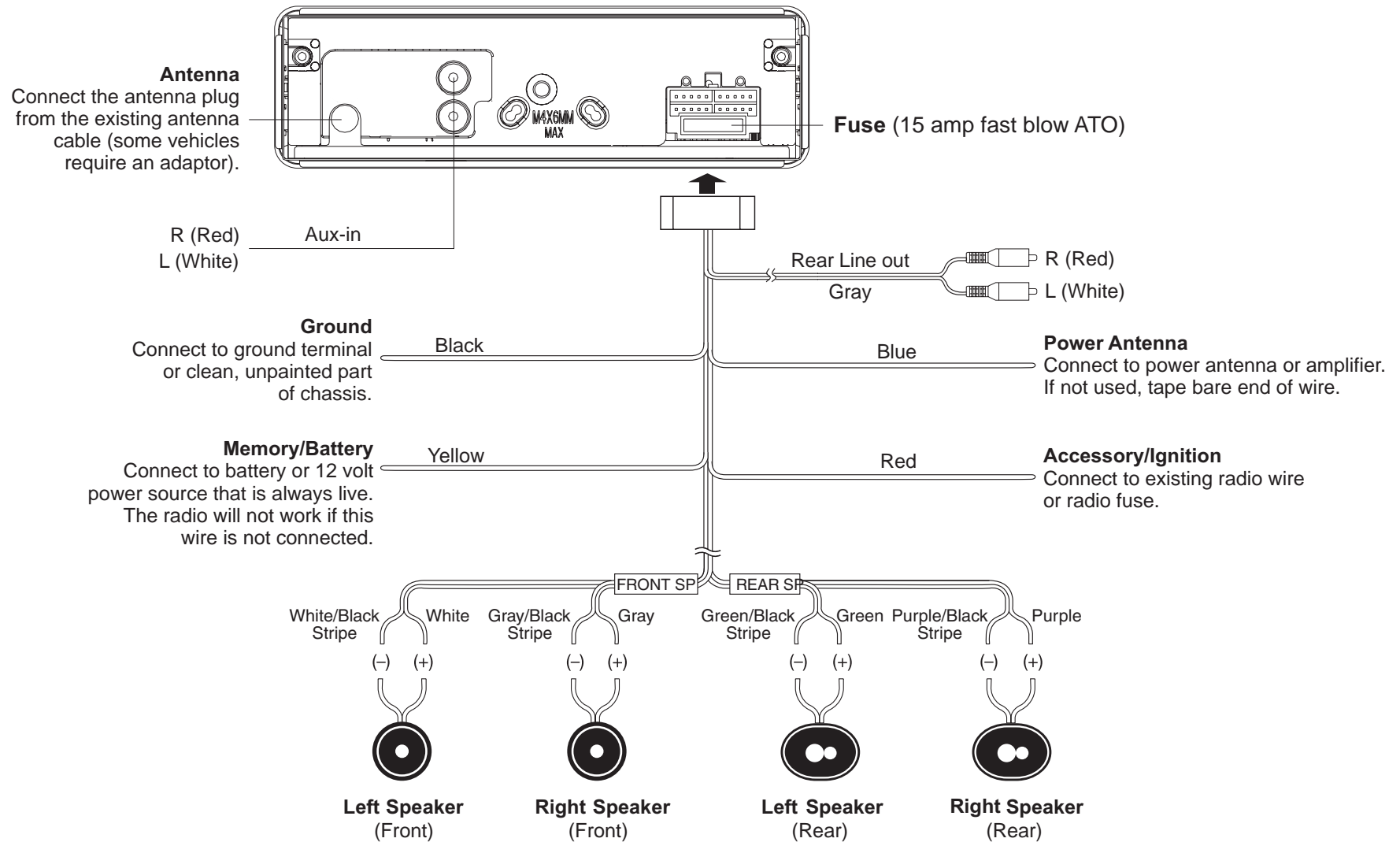
To remove the radio after installation, remove the trim ring by lifting in the center and pulling it off from either side. Insert the removal keys straight back until they lock, then pull the radio out. If removal keys are inserted at an angle, they will not lock properly and will not release the unit.



### Technical Assistance

If you require assistance, contact Technical Support at 1-800-323-4815 from 8:30am to 7:00pm EST Monday through Friday and from 9:00am to 5:00pm EST on Saturday.

# WIRING DIAGRAM



**NOTE:** The amplifier in this radio is only designed for use with four speakers. Never combine (bridge) outputs for use with two speakers. Never ground negative speaker leads to chassis ground. Failure to wire exactly as shown may cause electrical damage to the radio.

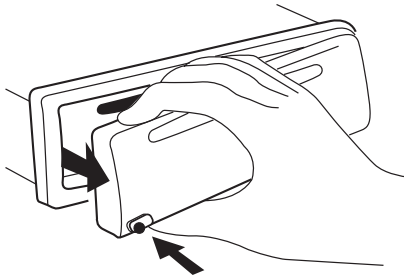
**NOTE:** Only connect speakers rated in the load impedance of 4 ohms. Speakers with a load impedance less than 4 ohms could damage the unit.

## FRONT PANEL RELEASE

The front panel release button (4) releases the mechanism that holds the front panel to the chassis.

### ***Detaching the Front Panel***

To detach the front panel, first press the front panel release button to release the left side of the panel. Next, grasp the released side and pull it off the chassis. After removing the front panel, store it in the supplied carrying case to protect it from dirt and damage.



### ***Re-attaching the Front Panel***

To re-attach the front panel, make sure the electrical terminals on the back of the panel are free of dust and dirt, as debris could cause intermittent operation or other malfunctions. Position the right side of the panel in place so that it is correctly engaged, then lightly press the left side of the panel until the mechanism locks it into place.

## OPERATION

### Power

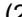

Press the power button (2) to turn the unit on. *Press and hold* the power button again to turn the unit off.

**NOTE:** LCD panels may take longer to respond when subjected to cold temperatures for an extended period of time. In addition, the visibility of the numbers on the LCD may decrease slightly. The LCD display will return to normal when the temperature increases to a normal range.

### Source

Press the **SRC** button (6) to select a different mode of operation, as indicated on the display panel. Available modes include tuner (FM1, FM2, FM3, AM1, AM2), CD, and auxiliary (AUX). CD mode appears in the menu only if a CD is present in the CD player.

### Audio Mute

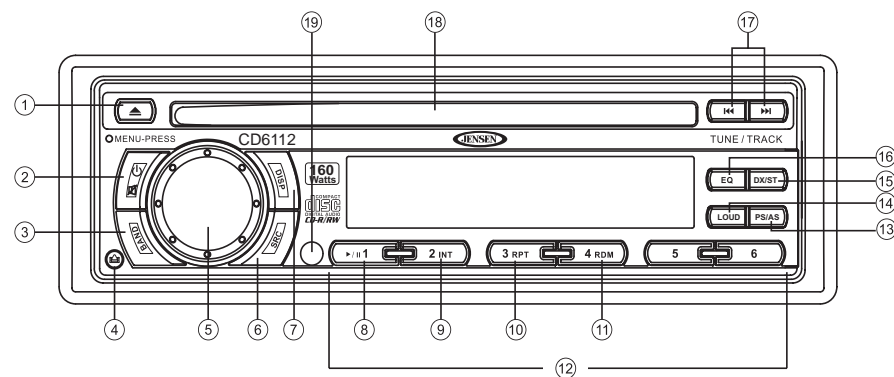
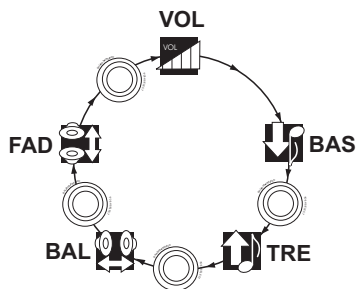
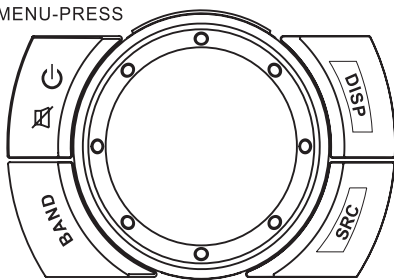
Press the mute  button (2) to silence the audio volume. "Mute" appears on the display. Press mute  again to restore volume to the previous setting.

### Volume / Audio Control

To increase the volume, turn the rotary encoder (5) clockwise. To decrease the volume, turn the rotary encoder counter-clockwise. When volume is adjusted, the volume level will be shown on the display panel as a number ranging from "0" (lowest) to "46" (highest).

Press the **MENU** button (5) repeatedly to step through the following audio functions: volume (VOL), bass (BAS), treble (TRE), balance (BAL), fader (FAD) and back to volume. The unit automatically exits audio control mode after five seconds of inactivity.

○ MENU-PRESS



### Bass

To adjust the bass level from "-6" to "+6", press the **MENU** button (5) until "BAS" appears in the display. Turn the rotary encoder clockwise to increase or counter-clockwise to decrease the bass. "0" represents a flat response.

### Treble

To adjust the treble level from "-6" to "+6", press the **MENU** button until "TRE" appears in the display. Turn the rotary encoder clockwise to increase or counter-clockwise to decrease the treble. "0" represents a flat response.

### Balance

To adjust the balance from "12L" (full left) to "12R" (full right), press the **MENU** button until "BAL" appears in the display. Turn the rotary encoder to adjust the balance between the left and right speakers. "L = R" represents a center balance.

### Fader

To adjust the fader from "12F" (full front) to "12R" (full rear), press the **MENU** button until "FAD" appears in the display. Turn the rotary encoder to adjust the fader between the front and rear speakers. "F = R" represents a center fader level.

### Equalizer Selector

The equalizer function applies preset sound effects to the unit's audio output signal. Press **EQ** (16) to step through the following equalizer options: "ROCK", "HIP-HOP", "DANCE", and "EQ OFF".

When the equalizer function is activated, the most recently selected bass/treble levels cannot be adjusted. When the equalizer function is not active, the unit will return to the most recently selected bass and treble levels.

### Loudness Control (LOUD)

When listening to music at low volume levels, this feature will boost the bass and treble ranges to compensate for the characteristics of human hearing. Press the **LOUD** button (14) to turn the LOUD function on/off.

### Menu Operation

Press and hold the **MENU** button (5) for more than two seconds to access the menu. Press the **MENU** button to move through the following menu options: VOL LAST/VOL ADJ, BEEP ON/OFF, AREA SET MODE, 12/24 HOUR SET MODE.

#### Programmable Turn-on Volume Level

Press the **MENU** button (5) to select "VOL LAST" or "VOL ADJ".

- VOL LAST: When the unit is turned on, the volume will resume at the level selected when last turned off.
- VOL ADJ: After selecting "VOL ADJ", turn the rotary encoder (5) to select the desired level. When this option is selected, the unit will revert to the adjusted volume each time the unit is turned on.

#### Beep Tone

The beep tone feature allows the selection of an audible beep tone to be heard each time a button is pressed on the face of the radio. "BEEP ON" is the default display.

To turn the audible beep off:

1. Press the **MENU** button to select "BEEP ON".
2. Turn the rotary encoder to select the "BEEP OFF" option.

#### Frequency Spacing

This option allows you to select the appropriate frequency spacing for your area. "AREA U.S.A." is the default setting. Turn the rotary encoder to select "EUROPE".

#### 12/24 Hour Time Format

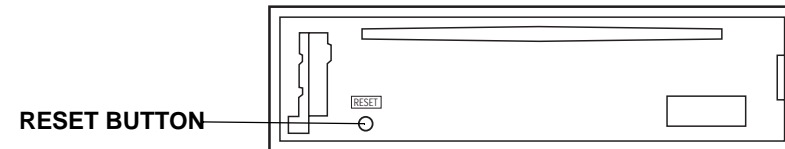
This option allows selection of a 12 hour or 24 hour clock format. "12 HOUR" is the default setting. Turn the rotary encoder to change to the 24 hour clock format.

### Clock Set

1. Press the **DISP** button (7) to display the clock.
2. Press and hold the **DISP** button until the clock blinks.
3. Turn the rotary encoder (5) clockwise to set the hour and counter-clockwise to set the minutes.

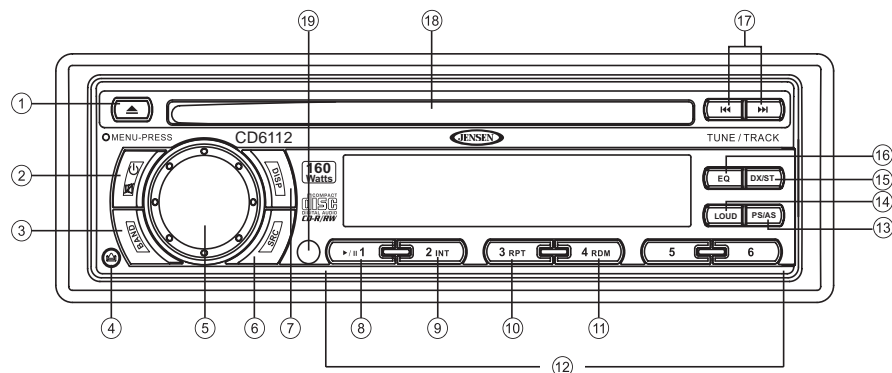
### Reset Button

The **RESET** button is located on the front of the chassis and can only be accessed with the front panel removed. The reset circuitry protects the microprocessor circuitry. Since resetting the unit will erase the time and preset memories, it should only be activated upon initial installation after all wiring is complete or if there is a malfunction of any of the switches on the unit. In these circumstances, pressing the **RESET** button will clear the system and return the unit to normal operation.



## TUNER OPERATION

The CD6112 allows you to receive channels in U.S.A. or EUROPE mode. See "Frequency Spacing" on page 7 to learn how to change the tuner options.



### Select a Band

Press **BAND** (3) to change between three FM bands and two AM bands. Each band stores up to six preset stations.

### Mono/Stereo Selection

Press and hold the **DX/ST** button (15) to switch between monaural and stereo reception. Choose mono when a strong stereo signal cannot be achieved (stereo mode is indicated by the icon). "MONO" or "STEREO" temporarily appears on the screen when selected.

### Local/Distant Reception

When the Local function is on, only radio stations with a strong radio signal are played. Activate the Local (LOC) function by pressing the **DX/ST** button (15). Press **DX/ST** again to activate the Distant (DX) mode (indicated by the triangle with rings above it).

## Tuning

### Manual Tuning

Press the **UP TUNING >>|** or **DOWN TUNING |<<** buttons (17) for more than three seconds to enter manual tuning mode, then press the Up Tuning or Down Tuning buttons to move the radio frequency number up or down one step.

### Auto Seek Tuning

Press the **UP TUNING >>|** or **DOWN TUNING |<<** buttons (17) for less than three seconds to move to the next/previous station automatically.

### Preset Stations

Up to six stations on each band can be stored as presets and can then be instantly recalled by pressing the associated preset button (12). To store a station, turn the radio on and select the desired band and station. Press and hold the desired preset button (numbered one through six on the face of the radio) for more than two seconds. When stored, the preset number will appear in the display. The station is now stored and can be re-called at any time by pressing the corresponding preset button. Repeat for the remaining five presets on the current band and for all presets on the other four bands.

### Preview Scan / Automatically Store (PS/AS)

#### Preview Scan

Press **PS/AS** (13) to scan all strong stations in the current band. The unit will stop at each station for five seconds before continuing to the next station. Press **PS/AS** again to stop scanning and listen to the current station.

#### Automatically Store

Select six strong stations and store them in the current band using the Automatic Store feature. To enable this feature, *press and hold* **PS/AS** (13) for more than two seconds. The radio will automatically scan the band in use and enter strong stations into the preset memory positions for that band. After entering the stations into memory, the unit will automatically stop at each station for five seconds so each can be heard. When using the Automatically Store feature, the new stations replace any stations already stored in preset memory for the selected band.

## CD PLAYER OPERATION

### Insert and Eject CD

Insert a CD, label side up. To stop CD play and eject the CD, press the eject button (1).

---

**NOTE: The unit is designed for play of standard 5" (12 cm.) compact discs only. Do not attempt to use 3" (8 cm.) CD singles in this unit, either with or without an adaptor, as damage to the player and/or the disc may occur. Such damage will not be covered by the warranty on this product.**

---

### Pause

Press the pause >|| button (8) to suspend disc play. Press the pause button again to resume disc play.

### Track Select

Press the **UP TUNING** >>| or **DOWN TUNING** |<< buttons (17) for less than one second to advance to the next track on the CD. The selected track number will appear on the display. Press and hold the **UP TUNING** >>| or **DOWN TUNING** |<< buttons (17) to fast forward or fast reverse through the disc. CD play starts when the button is released.

### Intro Scan (INT)

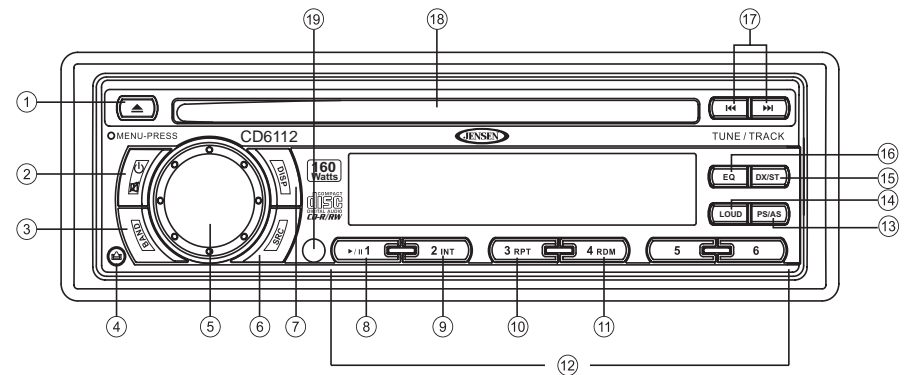
During disc play, press **INT** (9) to play the first 10 seconds of each track on the disc. When the desired track is reached, press **INT** again to end the scan and play the selected track.

### Repeat (RPT)

Press **RPT** (10) during disc play to continuously repeat the track. Press **RPT** again to stop repeating.

### Random (RDM)

Press **RDM** (11) during disc play to play all tracks on a CD in random, shuffled order. Press **RDM** again to stop random play.



### CD Player Error Codes

If a problem should develop while operating the CD player, an error code (ER-1, ER-2, etc.) may appear on the display panel. This can indicate a number of problems with the unit, including a mechanical error or an error in the microprocessor control of the player. If an error code should appear, try ejecting and reloading the disc into the player. While the disc is out of the unit, make sure it is clean and undamaged, and then load it correctly. If this does not solve the problem, pressing the **RESET** button may help, but will erase the time and preset memory. If the suggested measures do not solve the problem, contact an approved warranty station near you for further assistance.

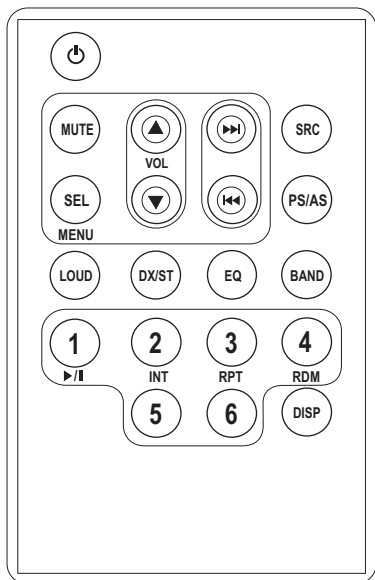
---

**NOTE: If an MP3 or other unsupported format disc is inserted in the unit, 'Disc Error' appears on the LCD. This unit only supports the CD-DA format.**

---

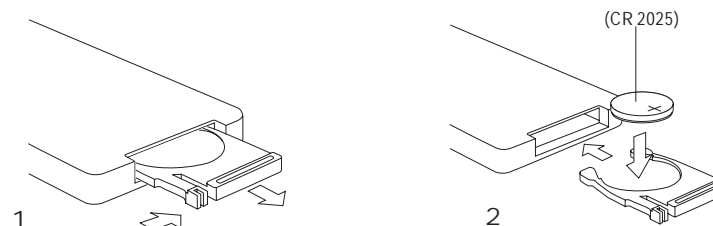
## REMOTE CONTROL

The remote control will allow you to control the basic functions of the CD6112.



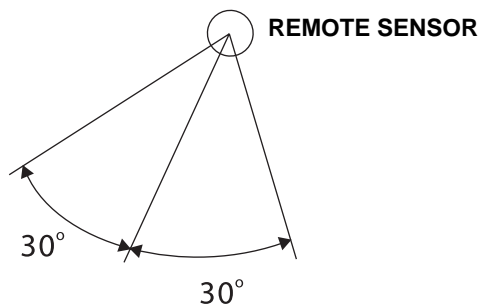
## Replacing the Battery

When the range of operation of the card remote control becomes short or stops functioning, replace the battery with a new lithium battery. Be sure to observe the proper polarity, as indicated below.



## Operating Range

The remote control sensor (19) is located to the right of the **SRC** button. The remote control can operate within a distance of 3~5m.



## CARE AND MAINTENANCE

### CD Player

The following guidelines will help you extend the life of your CD player:

1. When cleaning the vehicle interior, do not get water or cleaning fluids on the unit.
2. DO NOT attempt to disassemble the unit. Laser beams from the optical pickup are dangerous to the eyes.
3. The CD player may not operate properly in extreme hot/cold or under damp conditions. In case of such conditions, wait until the vehicle interior reaches a normal temperature or any condensation on the disc player lens has evaporated before using the player.
4. Never insert anything other than round 5" CDs into the player. Attempting to insert CDs of other sizes (even with an adaptor) will cause damage not covered by the warranty.
5. Always remove the CD when the player is not in use.
6. The unit is designed with a vibration dampening CD mechanism to minimize interruption of disc play due to normal vibration in a moving vehicle. However, occasional sound skips may occur when driving on very rough roads. This will not scratch or damage the disc, and normal play will resume when the rough conditions cease.

### Compact Discs

#### ***CD-R and CD-RW Capability***

Depending on media type and method of "recording/burning", some CD-R/RWs may be incompatible with this unit. After "recording/burning", the session **must be closed**. Please refer to your software's recommended procedures for closing a disc/session. Review your recording software to familiarize yourself with the correct "recording/burning" procedures. We recommend using the latest versions of ROXIO™ or NERO™ burning software.

In addition, this unit will only recognize the CDDA (Compact Disc Digital Audio) format "recorded / burned" onto a CD-R/RW. **This unit does not support .MP3, .WMA, .WAV, .OGG or other formats.**

#### ***CD Care and Handling***

Dirt, dust, scratches and warpage can cause skips in the playback and deterioration of sound quality. Please follow these guidelines to take care of your compact discs.

1. Carefully wipe fingerprints, dust and dirt from the disc's playing surface with a soft cloth. Wipe in a straight motion from the inside to the outside

of the disc. Playing a defective or dusty CD can cause dropouts in sound.

2. Never use chemicals such as record sprays or household cleaners to clean CDs, as they can irreparably damage the disc's surface.
3. This unit cannot play 3-inch ( 8cm ) CDs. NEVER insert a 3-inch CD contained in the adapter or an irregularly shaped CD. The unit may not be able to eject it, resulting in a malfunction.
4. Discs should be kept in their storage cases when not in use.
5. Do not expose discs to direct sunlight, high temperatures or high humidity for long periods.
6. **Do not stick paper, tape or CD labels on disc surfaces, as internal damage may occur.**

## TROUBLESHOOTING

Problem	Cause	Corrective Action
Does not operate (display does not light)	No power to yellow wire; no power to red wire	Check connection with test light; check vehicle fuse with test light
	Inline fuse blown	Replace fuse
No power to unit	Inline fuse blown	Check/replace fuse
Not all speakers operate	Incorrect splices or connections	Check all splices and connections
	Speaker wires shorting to chassis ground or to each other	Check splices; insulate all bare wires
Blows fuses	Power wire shorting to ground	Make sure wire is not pinched
	Speaker wires shorting to ground	Make sure wire is not pinched
	Incorrect fuse; fuse too small	Install fuse of correct rating

## SPECIFICATIONS



### CEA Power Ratings

Power Output	13 Watts RMS x 4 channels into 4-Ohms @ $\leq 1\%$ THD+N
Signal to Noise Ratio	70dBA below reference (Reference: 1 Watt, 4-Ohms)
Frequency Response	20 Hz - 20 kHz, -3dB (Aux Input used as reference input)
Reference Supply Voltage	14.4VDC

### CD Player

Compatible Disc Media	CD-R / RW
Compatible Media Formats	CD-DA
Signal to Noise Ratio @ 1 kHz	>90dB
Frequency Response	20Hz to 20 kHz, -3dB
Channel Separation	> 60dB @ 1 kHz
D/A Converter	1bit/channel

### FM Tuner

Tuning Range	87.5MHz - 107.9MHz
Mono Sensitivity (-30dB)	11dBf
Quieting Sensitivity (-50dB)	15dBf
Signal to Noise Ratio @ 1 kHz	58dB
Stereo Separation @ 1 kHz	>30dB
Frequency Response	30Hz - 12kHz, -3dB

### AM Tuner

Tuning Range	530 kHz - 1710 kHz
Sensitivity (-20dB)	15uV
Signal to Noise Ratio @ 1 kHz	50dB
Frequency Response	50Hz - 2kHz, -3dB

### Auxiliary Input

Input Sensitivity	400mV RMS for 1 watt RMS into 4-ohms
Frequency Response	20Hz to 20kHz, -3dB
Input Impedance	10k ohms

### General

Power Supply	11 to 16VDC, negative ground
Power Antenna (Blue)	500mA max, current limited protection
Operating Temperature	-20C ~ 65C
Fuse	15-amp, ATO type

\* Specifications subject to change without notice.



# Limited Warranty

*CD or Multimedia Radios/Headunits*

---

**DO NOT RETURN THIS PRODUCT TO THE STORE**

**Audiovox Electronics Corporation (“the Company”) is committed to quality and customer service, and are pleased to offer you this Warranty. Please read it thoroughly and contact the Company at 1-800-323-4815 with any questions.**

## ***Who is covered?***

The Company extends this warranty to the original retail purchaser of products purchased through an authorized Audiovox retailer in the U.S.A., Puerto Rico or Canada. This warranty is not transferable or assignable. Proof of purchase is required in the form of an original sales receipt.

## ***What is covered?***

The Company warrants that should this product or any part thereof, under normal use, be proven defective in material or workmanship within 12 months from the date of original purchase, such defect(s) will be repaired or replaced with a new or reconditioned product (at the Company's option) without charge for parts and repair labor.

## ***What is not covered?***

This Warranty *does not* cover the following:

- Damage incurred during shipping or transporting the product to the Company or a service center
- Elimination of car static or motor noise
- Defects in cosmetic, decorative or non-operative structural parts
- Correction of antenna problems
- Costs incurred for installation, removal or reinstallation of the product
- Consequential damage to compact discs, USB devices, digital media cards, accessories or vehicle electrical systems
- Damage caused by improper installation, mishandling, misuse, neglect, accident, blown fuse, battery leakage, theft or improper storage
- Products whose factory serial number/bar code label(s) or markings have been removed or defaced
- Damage resulting from moisture, humidity, excessive temperature, extreme environmental conditions or external natural causes

**Please review the “Care and Maintenance” section of your Installation and Operation Manual for additional information regarding the proper use of your product.**

## ***Limitations***

THE EXTENT OF THE COMPANY'S LIABILITY UNDER THIS WARRANTY IS LIMITED TO THE REPAIR OR REPLACEMENT PROVIDED ABOVE AND, IN NO EVENT, SHALL THE COMPANY'S LIABILITY EXCEED THE PURCHASE PRICE PAID BY PURCHASER FOR THE PRODUCT.

This Warranty is in lieu of all other express warranties or liabilities. ANY IMPLIED WARRANTIES, INCLUDING ANY IMPLIED WARRANTY OF MERCHANTABILITY, SHALL BE LIMITED TO THE DURATION OF THIS WRITTEN WARRANTY. ANY ACTION FOR BREACH OF ANY WARRANTY HEREUNDER INCLUDING ANY IMPLIED WARRANTY OF MERCHANTABILITY MUST BE BROUGHT WITHIN A PERIOD OF 24 MONTHS FROM DATE OF ORIGINAL PURCHASE. IN NO CASE SHALL THE COMPANY BE LIABLE FOR ANY CONSEQUENTIAL OR INCIDENTAL DAMAGES FOR BREACH OF THIS OR ANY OTHER WARRANTY, EXPRESS OR IMPLIED, WHATSOEVER. No person or representative is authorized to assume for the Company any liability other than expressed herein in connection with the sale of this product.

Some states do not allow limitations on how long an implied warranty lasts or the exclusion or limitation of incidental or consequential damage so the above limitations or exclusions may not apply to you. This Warranty gives you specific legal rights and you may also have other rights which vary from state to state.

## ***Obtaining Warranty Service***

- To obtain repair or replacement within the terms of this Warranty, call 1-800-323-4815 for the location of a warranty station serving your area.
- You must prepay the initial shipping charges to the Company. The Company will pay the return shipping charges for all warranted products returned to an address within the U.S.A., Puerto Rico or Canada.
- Please package the product securely to avoid shipping damage. We recommend using a carrier that provides tracking service to prevent lost packages. Lost or damaged packages are not covered by this warranty.
- Provide a detailed description of the problem(s) for which you require service.

# Garantía Limitada

## Radios del CD o de los Multimedia

## NO RETORNE ESTE PRODUCTO A LA TIENDA

**Audiovox Electronics Corporation (“la Compañía) es una corporación comprometida con la calidad y el servicio al cliente, y se complace en ofrecerle esta Garantía. Por favor, léala completamente y contacte a la Compañía al 1-800-323-4815 por cualquier duda.**

### ¿Quién está cubierto?

La Compañía extiende esta garantía al comprador minorista original de los productos comprados a un distribuidor Audiovox autorizado en USA, Puerto Rico o Canadá. Esta garantía no es transferible o asignable. Se requiere prueba de compra en forma de recibo de venta original.

### ¿Qué está cubierto?

La Compañía garantiza que si este producto o cualquier parte del mismo, bajo uso normal, se prueba que tiene defectos en materiales o mano de obra dentro de los 12 meses desde la fecha de compra original, dichos defectos serán reparados o reemplazados con un producto nuevo o reacondicionado (a opción de la Compañía) sin costos por repuestos o por labor de reparación.

### ¿Qué no está cubierto?

Esta Garantía *no cubre* lo siguiente:

- Daños ocurridos durante el envío o transporte del producto a la Compañía o al centro de servicio
- Eliminación de estática o ruido de motor
- Defectos en cosmética, partes estructurales decorativas o no operativas
- Corrección de problemas de antena
- Costos incurridos por instalación, retiro o reinstalación del producto
- Daños consecuentes a discos compactos, dispositivos USB, tarjetas multimedia digitales, accesorios o sistemas eléctricos del vehículo
- Daños causados por instalación inadecuada, mal manejo o uso, negligencia, accidentes, fusibles quemados, goteras en la batería, robo o almacenamiento inadecuado.
- Productos cuyo número de serie o código de barra de fábrica o sus marcas hayan sido quitados o borrados
- Daños resultantes de la humedad, temperatura excesiva, condiciones medioambientales extremas o causas naturales externas

**Por favor, revea la sección “Cuidados y Mantenimiento” de su Manual de Instalación y Operación para obtener información adicional relacionada al uso adecuado de su producto.**

### Limitaciones

LA EXTENSIÓN DE LA RESPONSABILIDAD DE LA COMPAÑÍA BAJO ESTA GARANTÍA SE LIMITA A LA REPARACIÓN O REEMPLAZO PROVISTO ARRIBA Y, EN NINGÚN CASO, EXCEDERÁ LA RESPONSABILIDAD DE LA COMPAÑÍA EL PRECIO DE COMPRA PAGADO POR EL COMPRADOR DEL PRODUCTO.

Esta Garantía está en lugar de todas las otras garantías o responsabilidades. CUALQUIER GARANTÍAS IMPLICADAS, INCLUYENDO CUALQUIER GARANTÍA IMPLICADA DE MERCANTIBILIDAD, SERÁ LIMITADA A LA DURACIÓN DE ESTA GARANTÍA ESCRITA. CUALQUIER ACCIÓN POR INCLUMPLIMIENTO DE CUALQUIER GARANTÍA AQUÍ ESPECIFICADA INCLUIDA CUALQUIER GARANTÍA IMPLÍCITA DE MERCANTIBILIDAD DEBE SER LLEVADA A CABO DENTRO DE UN PERIODO DE 24 MESES DESDE LA FECHA DE COMPRA ORIGINAL. IN NINGÚN CASO LA COMPAÑÍA SERÁ RESPONSABLE POR NINGÚN DAÑO CONSECUENTE O INCIDENTAL POR INCLUMPLIMIENTO DE ESTA O CUALQUIER OTRA GARANTÍA, EXPRESA O IMPLICADA, DE NINGUNA FORMA. No se autoriza a ninguna persona o representante a asumir por parte de la Compañía ninguna responsabilidad diferente a la aquí expresada en conexión con la venta de este producto.

Algunos estados no permiten limitaciones sobre el tiempo de duración de una garantía implicada o de la exclusión o limitación de daños incidentales o consecuentes, entonces las limitaciones y exclusiones antes mencionadas pueden no aplicarle a usted. Esta Garantía le da derechos legales específicos y usted también puede tener otros derechos que pueden variar de estado en estado.

### Obteniendo el Servicio de Garantía

- Para obtener reparación o reemplazo dentro de los términos de esta Garantía, llame al 1-800-323-4815 por la ubicación de un servicio de garantía en su área.
- Usted debe pagar previamente los costos de envío inicial a la Compañía. La Compañía pagará los costos de envío de retorno de todos los productos en garantía enviados a direcciones dentro de USA, Puerto Rico o Canadá.
- Por favor empaquete el producto de forma segura para evitar daños en el transporte. Recomendamos usar una empresa de transporte que provea servicio de rastreo para prevenir la pérdida de paquetes. Paquetes perdidos o dañados no están cubiertos por esta garantía.
- Provea una descripción detallada del problema o problemas por los cuales usted requiere servicio.

# Garantie Limitée

*Radios CD ou Multimédia / Unités principales*

**NE RENVOYEZ PAS CE PRODUIT AU MAGASIN**

**Audiovox Electronics Corporation (la Société) s'engage à la qualité et au service des clients, et est content de vous offrir cette garantie. Nous vous prions de le lire attentivement et prendre contact avec la Société au 1-800-323-4815 avec des questions.**

## **Qui est couvert ?**

La Société étend cette garantie à l'acheteur d'origine en détail des produits achetés à un détaillant autorisé d'Audiovox aux Etats-Unis, Puerto Rico ou Canada. Cette garantie ne peut pas être transférée ni aliénée. Preuve d'achat est exigé sous forme du récépissé de vente d'origine.

## **Ce qui est couvert ?**

La Société garantit que si ce produit ou une partie de ce produit, sous l'utilisation normale par l'acheteur d'origine, dans des conditions normales, s'avère défectueux en matériel ou en artisanat, dans 12 mois depuis la date d'achat d'origine, de tels défauts seront réparés ou remplacés avec un nouveau produit ou un produit reconditionné (à la seule discrétion de la société) sans frais pour les pièces de rechange ou le travail réparateur.

## **Ce qui n'est pas couvert ?**

Cette garantie *ne* couvre pas le suivant :

- Des dommages survenus lors de la transportation de ce produit à la Société ou à un centre d'entretien.
- Elimination des parasites de voiture ou le bruit du moteur
- Des défauts dans des parties cosmétiques, décoratives ou structurelles non-opératives
- Rectification des problèmes d'antenne
- Le coût de l'installation, de l'enlèvement ou de la réinstallation du produit
- Dommages indirects aux disques compacts, des engins USB, des cartes de média digitales, des accessoires ou le système électrique du véhicule
- Des dégâts survenus à cause de la manipulation mauvaise, l'installation incorrecte, mauvaise utilisation, négligence, des accidents, des fusibles sautés, fuite de la pile, du vol et du stockage incorrect
- Produits soumis à l'enlèvement ou la dégradation du numéro de série d'usine/étiquettes de code à barres ou des marquages.
- Des dégâts survenus à cause de la moisissure, l'humidité, des températures excessives, des conditions environnementales extrêmes ou des causes naturelles externes

**Veillez revoir la section Soins et Entretien de votre Guide d'Opération, pour avoir des informations supplémentaires quant à la bonne utilisation de votre produit.**

## **Limitations**

LA MESURE DE LA RESPONSABILITE DE LA SOCIETE SOUS CETTE GARANTIE EST LIMITEE A LA REPARATION OU REMPLACEMENT MENTIONNES CI-DESSUS ET DANS AUCUN CAS LA RESPONSABILITE DE LA SOCIETE N'EXCEDERA LE PRIX D'ACHAT PAYE PAR L'ACHETEUR POUR CE PRODUIT.

Cette garantie tient lieu de toute autre garantie ou responsabilité expresses. TOUTE GARANTIE IMPLIQUEE, Y COMPRIS UNE GARANTIE IMPLIQUEE DE MARCHANDABILITE, SERA LIMITEE A LA DUREE DE CETTE GARANTIE ECRITE. TOUTE ACTION POUR RUPTURE D'UNE GARANTIE QUELCONQUE SOUS LA PRESENTE, Y COMPRIS TOUTE GARANTIE IMPLIQUEE DE MARCHANDABILITE DOIT ÊTRE PORTEE DANS UNE PERIODE DE 24 MOIS DEPUIS LA DATE D'ACHAT D'ORIGINE. EN AUCUN CAS LA SOCIETE NE SERA RESPONSABLE POUR TOUT DOMMAGE INDIRECT OU ACCESSOIRE POUR RUPTURE DE CETTE GARANTIE OU TOUTE AUTRE GARANTIE, EXPRESSE OU IMPLIQUEE. Aucune personne ni un représentant n'est autorisée d'assumer de la part de la société une responsabilité autre que celle exprimée ici relatif à la vente de ce produit.

Certains états ne permettent pas de limitations sur la durée d'une garantie impliquée ou sur l'exclusion ou la limitation des dommages indirects et accessoires, tels que les informations ci-dessus ne s'appliquent pas à vous. Cette garantie vous donne des droits légaux spécifiques et vous pouvez aussi jouir d'autres droits qui varient d'état à l'état.

## **Obtenir le service de garantie**

- Pour obtenir la réparation ou le remplacement dans les termes de cette garantie, appelez 1-800-323-4815 pour avoir l'emplacement d'une station de garantie qui dessert votre région.
- Si le produit est envoyé pour un service de garantie vous devez payer les frais de transportation de départ. La Société payera la transportation de retour pour tout produit sous garantie si le produit est retourné à une adresse située aux Etats-Unis, Puerto Rico ou Canada.
- Assurez-vous que le produit soit bien emballé pour éviter des accidents pendant la transportation. Nous recommandons un transporteur qui fournit un service de dépistage pour éviter la perte des paquets. Des paquets perdus ou endommagés ne sont pas couverts par cette garantie.
- Fournissez une description détaillée des problèmes que vous voulez faire résoudre par le service de garantie.

if it's too  
**LOUD**  
you're too  
**OLD!**



Audiovox Electronics Corporation  
Hauppauge, NY 11788  
Technical Assistance: 1-800-323-4815  
[www.jensen.com](http://www.jensen.com)

© 2007 Audiovox  
Ver. 013007  
Printed in China