



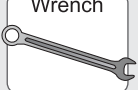



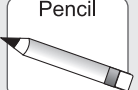



Installation Instructions Hard Top Auxiliary Light Kit

Application:

- Jeep Wrangler and Wrangler Unlimited
2007 – Current
Part Number: 41490

www.Bestop.com - We're here to help! Visit our web site and click on "[Ask a Question](#)". Click here for more [Jeep Accessories by Bestop](#).

INSTALLATION TIME	SKILL LEVEL
 <p>45 Minutes</p>	<p>1 2 3 4</p> <p>2 - Moderately Easy</p>
TOOLS	
<p>Power Drill</p>  <p>5/16" Bit</p>	<p>Wrench</p>  <p>1/2"</p>
<p>Wire Stripper</p> 	<p>Phillips Screwdriver</p> 
<p>Tape Measure</p> 	<p>Pencil</p> 
<p>Safety Glasses</p> 	



! WARNING The manufacturer strongly recommends that this product be professionally installed.

! WARNING Failure to carefully follow the electrical installation steps could result in severe electrical shock which could harm the installer and/or damage the vehicle.

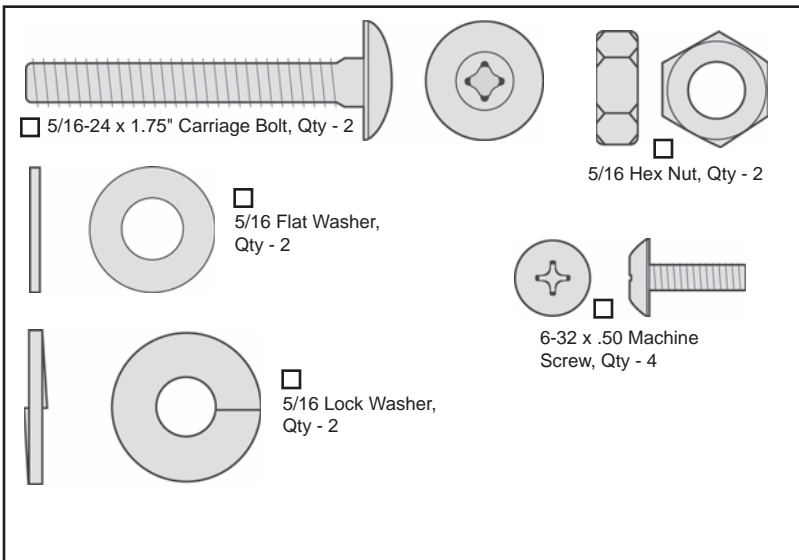
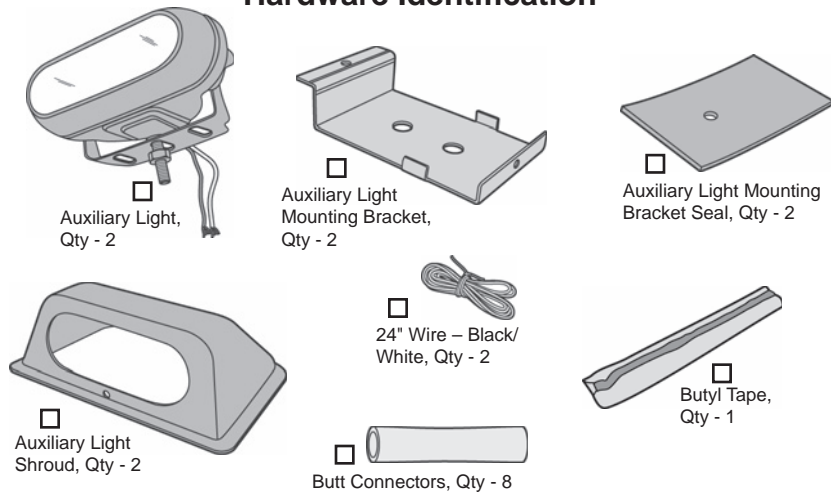
! WARNING This product is designed primarily to enhance the appearance of the vehicle and to shield the occupants from ordinary weather conditions. Do not rely in any way on the components of this product to contain occupants within the vehicle, or to protect against injury or death in the event of an accident. This product will not protect the occupants from falling objects. Never operate the vehicle in excess of manufacturer's specifications.

WEAR SEAT BELTS AT ALL TIMES

Read and follow, precisely, all installation instructions provided when installing product. Failure to do so may result in a poor fit and could place occupants of the vehicle in a potentially dangerous situation.

Hard Top Auxiliary Light Kit Installation Instructions

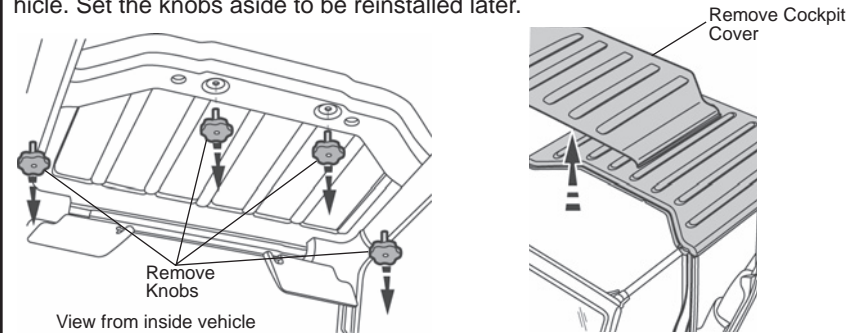
Parts List and Hardware Identification



! WARNING Disconnect the battery before beginning this installation

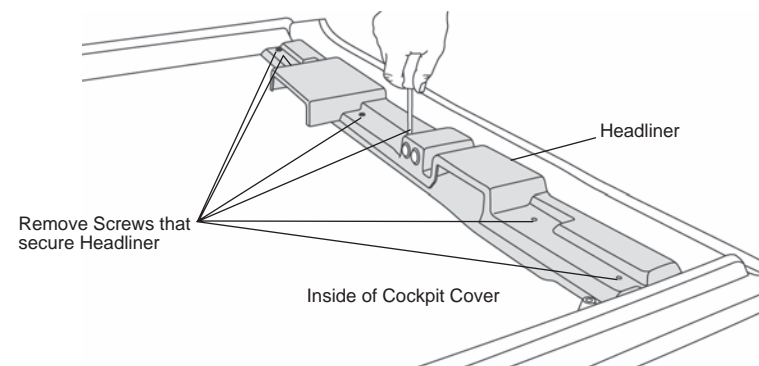
1 Remove Cockpit Cover from Vehicle

Remove the knobs that secure the cockpit cover and lift the cover off the vehicle. Set the knobs aside to be reinstalled later.



2 Remove Headliner

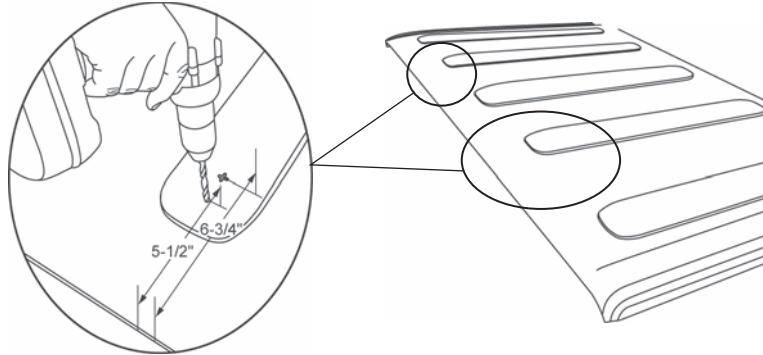
Lay the cockpit cover upside down on a clean work surface. Use a phillips screwdriver to remove the six (6) screws that secure the headliner to the cockpit cover. Set the screws and headliner aside to be reinstalled later.



Hard Top Auxiliary Light Kit Installation Instructions

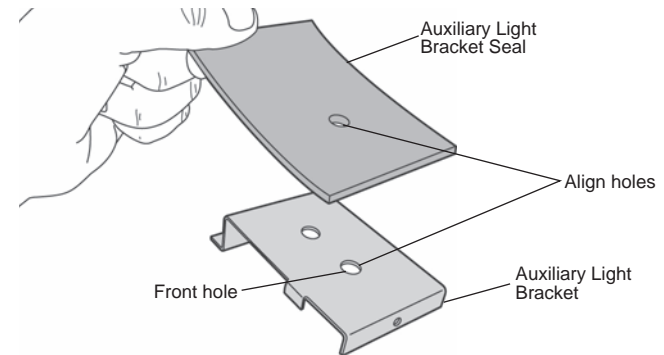
3 Locate and Drill 5/16" Holes

Locate the center of the 2nd and 4th ribs on the cockpit cover. Measure 5-1/2" and 6-3/4" from the front edge of the cockpit cover and mark these locations. Drill a 5/16" hole at each of these locations.



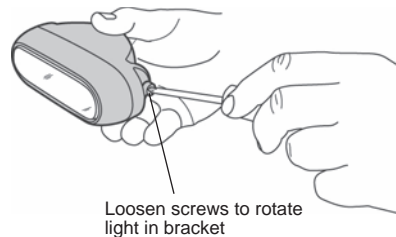
4 Install Auxiliary Light Bracket Seals on Auxiliary Light Mounting Brackets

Orient the Auxiliary Light Bracket Seals with the Auxiliary Light Mounting Brackets so that the hole in the seals line up with the front hole in each Auxiliary Light Mounting Bracket. Remove the backing from the Seals and press one into place on each of the Mounting Brackets.



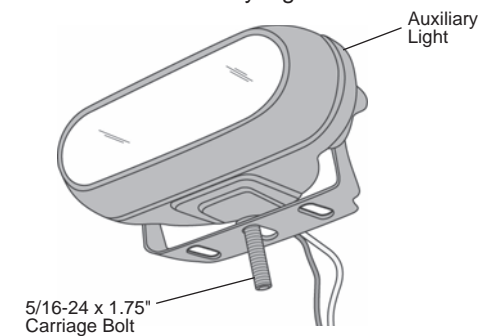
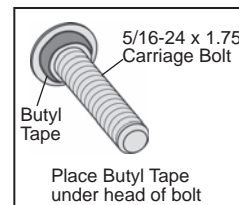
5 Remove Existing Auxiliary Light Hardware

Use a phillips screwdriver to loosen the screws on each side of the light. Do not remove the screws. Rotate the light bracket so that the existing bolt, lock washer and nut can be removed. Repeat this for both Auxiliary Lights.



6 Install Carriage Bolt in Auxiliary Light

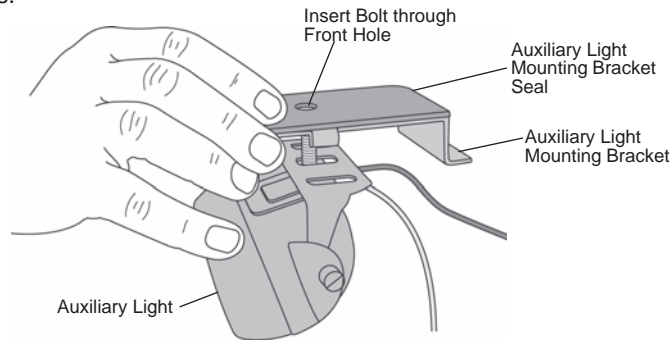
Place a small amount of Butyl Tape under the head of the 5/16-24 x 1.75" Carriage Bolt. Install the bolt in the bracket of the Auxiliary Light where the bolt was removed in the last step. Repeat this for both Auxiliary Lights.



Hard Top Auxiliary Light Kit Installation Instructions

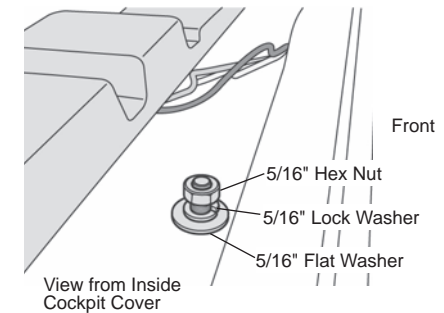
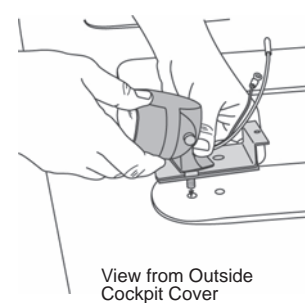
7 Install Auxiliary Light Assembly on Auxiliary Light Mounting Bracket

Orient the Auxiliary Light Mounting Brackets with the deeper ridge toward the rear. Place the 5/16-24 x 1.75" Carriage Bolt on the Auxiliary Light Assembly through the front hole in the Auxiliary Light Mount Bracket. Repeat this for both Auxiliary Lights.



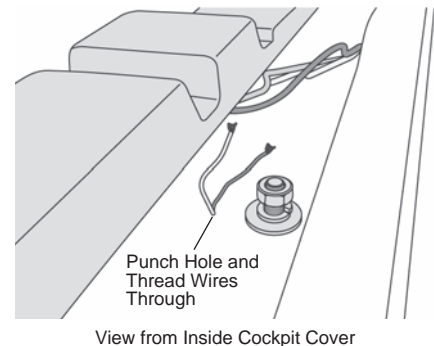
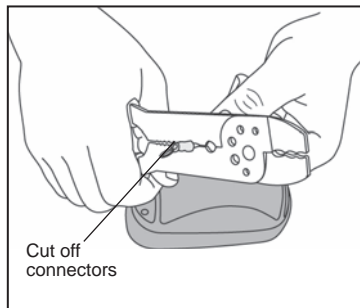
8 Install Auxiliary Light Assembly on Cockpit Cover

Orient the Auxiliary Light Assembly on the outside of the cockpit cover so that the 5/16-24 x 1.75" Carriage Bolt is aligned with the front hole. Align the light with the front of the top and install the assembly in the front hole with a 5/16" Flat Washer, 5/16" Lock Washer and 5/16" Hex Nut. Repeat this for both Auxiliary Lights.



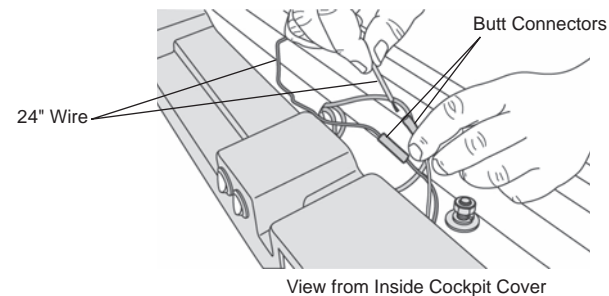
9 Route Lighting Wires

Use wire strippers to cut off the connectors on the wires of the Auxiliary Light and strip 3/4" of housing off the wires. Punch a small hole in the Auxiliary Light Mounting Bracket Seal at the location of the second hole in the Auxiliary Light Mounting Bracket. Thread the wires through the Auxiliary Light Mounting Bracket and cockpit cover.



10 Install 24" Wire

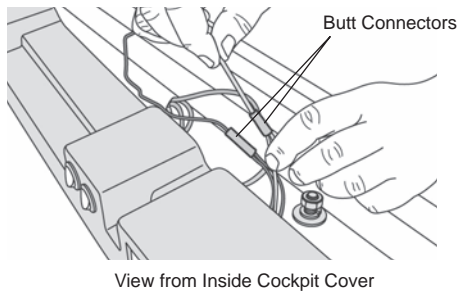
Use two (2) Butt Connectors to connect the 24" Wire to the passenger side Auxiliary Light wires. Match the black wire on the 24" Wire to the black light wire and the white wire to the white light wire. Place the ends of each wire in a Butt Connector and use the crimper on the wire stripper to crimp the connectors.



Hard Top Auxiliary Light Kit Installation Instructions

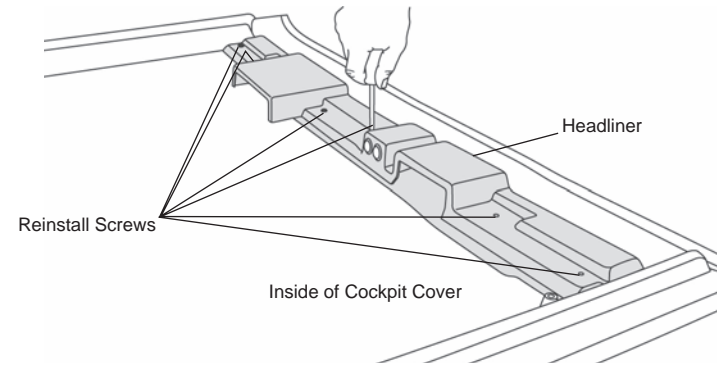
11 Connect Wiring

Use the remaining two (2) Butt Connectors to connect the cockpit switch wires, the driver's side Auxiliary Light wires and the 24" Wire from the passenger light. Again connect the wires black to black to black and white to white to tan. Place the ends of each wire in a Butt Connector and use the crimper on the wire stripper to crimp the connectors.



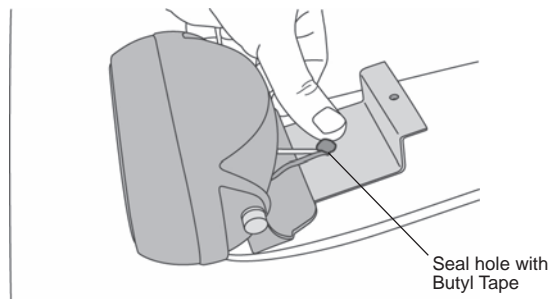
12 Reinstall Headliner

Tuck in the wires and reinstall the headliner using the screws removed in Step 2.



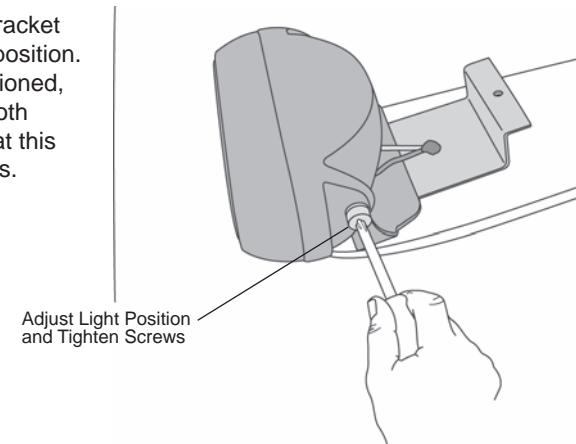
13 Seal Wiring Holes

Use the Butyl Tape to seal the wiring holes in both Auxiliary Light Mounting Brackets.



14 Position Lights

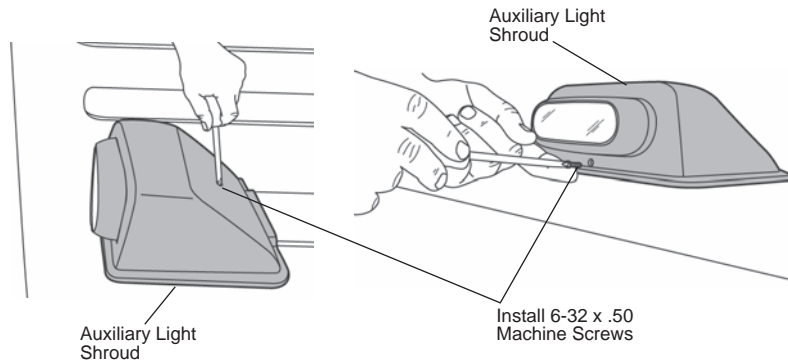
Rotate the light in the bracket until it is in the desired position. Once it is properly positioned, tighten the screws on both sides of the light. Repeat this with both Auxiliary Lights.



Hard Top Auxiliary Light Kit Installation Instructions

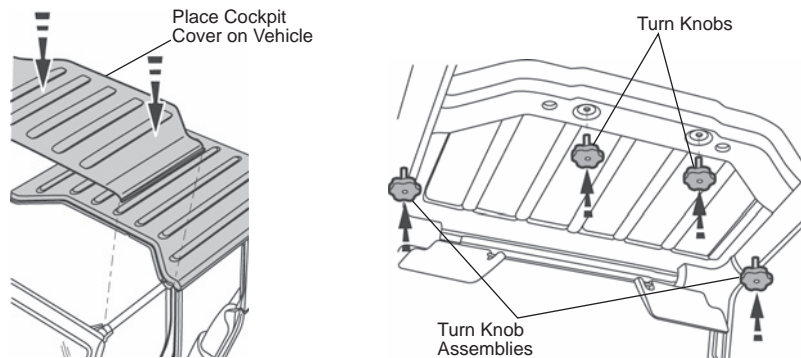
15 Install Auxiliary Light Shroud

Place an Auxiliary Light Shroud over each Auxiliary Light and install two (2) 6-32 x .50 Machine Screws in each Shroud.



16 Reinstall Cockpit Cover

Place the Cockpit Cover on the vehicle, rear edge first, then lay the front edge down on the windshield. You may need to pull the cover toward the rear to engage the seal. Use the two (2) Knobs with Washers to secure the outside holes and the other two (2) Knobs to secure it in the center.



LIMITED WARRANTY

We warrant our product to be free from defects in material and workmanship, for the terms specified below, provided there has been normal use and proper maintenance. This warranty applies to the original purchaser only. All remedies under this warranty are limited to the repair or replacement of any item or items found by the factory to be defective within the time period specified. If you have a warranty claim, first you must call our factory at the number below for instructions. You must retain proof of purchase and submit a copy with any items returned for warranty work. Upon completion of warranty work, if any, we will return the repaired or replaced item or items to you freight prepaid. Damage to our products caused by accidents, fire, vandalism, negligence, misinstallation, misuse, Acts of God, or by defective parts not manufactured by us, is not covered under this warranty.

THE WARRANTY TIME PERIOD IS AS FOLLOWS FOR REPLACE-A-TOP™, SAILCLOTH REPLACE-A-TOP™, SUPERTOP®, SUPERTOP® REPLACEMENT SKINS, SUNRIDER®, AND TIGERTOP®: TWO YEARS FROM DATE OF PURCHASE.

THE WARRANTY TIME PERIOD IS AS FOLLOWS FOR ALL OTHER "SOFT GOODS" MANUFACTURED BY OUR COMPANY (USING PRIMARILY VINYL, PLASTICS, AND/OR FOAM): ONE YEAR FROM DATE OF PURCHASE.

THE WARRANTY TIME PERIOD IS AS FOLLOWS FOR ALL OTHER "HARD GOODS" MANUFACTURED BY OUR COMPANY (USING PRIMARILY METALS, PLASTICS, AND/OR FIBERGLASS): ONE YEAR FROM DATE OF PURCHASE.

ANY IMPLIED WARRANTIES OF MERCHANTABILITY AND/OR FITNESS FOR A PARTICULAR PURPOSE CREATED HEREBY ARE LIMITED IN DURATION TO THE SAME DURATION AND SCOPE AS THE EXPRESS WRITTEN WARRANTY. OUR COMPANY SHALL NOT BE LIABLE FOR ANY INCIDENTAL OR CONSEQUENTIAL DAMAGE.

Some states do not allow limitations on how long an implied warranty lasts, or the exclusion or limitation of incidental or consequential damages, so the above limitations or exclusions may not apply to you. This warranty gives you specific legal rights, and you may also have other rights which vary from state to state.

For further information or request for warranty work, please contact:
Bestop Inc., Customer Service
Toll-Free: (800)845-3567
Main: (303)465-1755
E-mail: csbestop@Bestop.com
Website: www.Bestop.com

