





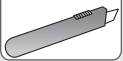
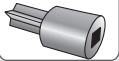





# Installation Instructions Sport Bar Cover

## Vehicle Application

- Jeep Wrangler 2 Door  
2007  
Part Number: 80024

[www.Bestop.com](http://www.Bestop.com) - We're here to help! Visit our web site and click on "[Ask a Question](#)". Click here for more [Jeep Accessories by Bestop](#).

INSTALLATION TIME	SKILL LEVEL
 <b>3/4 Hour</b>	 <b>2 - Moderately Easy</b>

TOOLS			
 Utility Knife	 Torx Socket	 Ratchet	 Socket
 Scissors	 50/50 Solution Alcohol/Water	 Safety Glasses	





### Installation Tips

Before you begin installing this assembly, read all instructions thoroughly.

#### For a smooth fit:

For ease in installation, the product should be installed at temperatures above 72° F. Below this temperature, the fabric may contract an inch or more, making it difficult to fit to the vehicle. It is normal for fabric to contract and wrinkle when stored in the shipping carton. Within a few days after the installation, the fabric will relax and the wrinkles will disappear.

 **CAUTION** Safety glasses should be worn at all times while installing this product.

 **WARNING** This product is designed primarily to enhance the appearance of the vehicle and to shield the occupants from ordinary weather conditions. Do not rely in any way on the components of this product to contain occupants within the vehicle, or to protect against injury or death in the event of an accident. This product will not protect the occupants from falling objects. Never operate the vehicle in excess of manufacturer's specifications.

#### WEAR SEAT BELTS AT ALL TIMES

Read and follow, precisely, all installation instructions provided when installing product. Failure to do so may result in a poor fit and could place occupants of the vehicle in a potentially dangerous situation.

# Sport Bar Cover – Installation Instructions

## Parts List

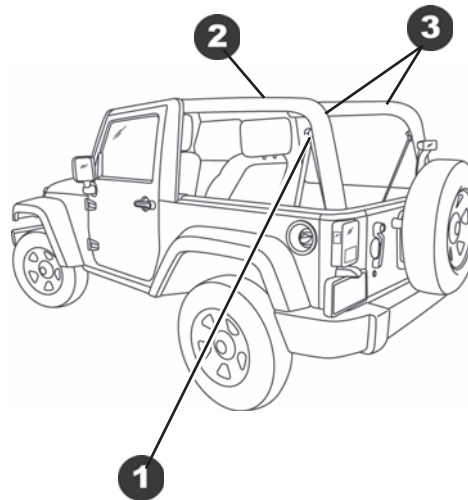
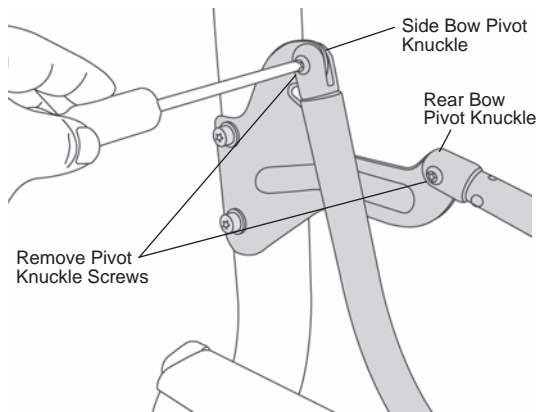
Sport Bar Cover, Lt.	Qty - 1
Sport Bar Cover, Rt.	Qty - 1
Self-Adhesive Hook Strip	Qty - 1

### 1 Lower Soft Top

If your vehicle has a soft top, release the top from the windshield and lay the top and bows down on the tailgate.

Use a T-30 Torx driver to remove the Pivot Knuckle Screws that attach the Side Bow and Rear Bows to the brackets on each side of the vehicle. Push down on each bow to pop it loose from the bracket.

Leave the bows and fabric laying on the tailgate.



### 2 Remove Speaker Bar

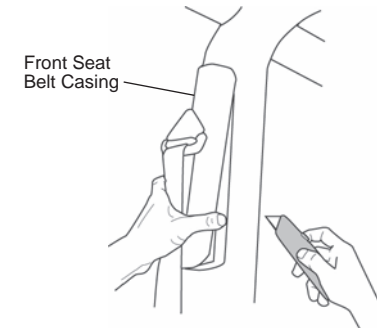
Use the 10mm Socket to remove the bolts that secure the Speaker Bar.

Locate the wires and connector on the passenger side of the vehicle. Lift up on the tab on the connector to release the wires. Set the Speaker Bar and bolts aside to be reinstalled later.



### 3 Remove Existing Sport Bar Covers

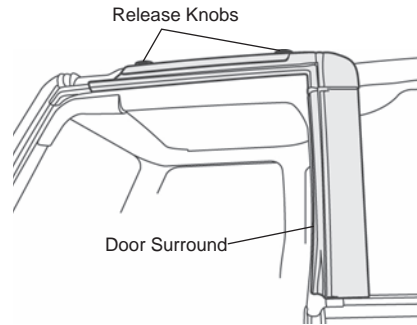
If your vehicle has sport bar covers, you must cut them off before beginning this installation. The casing around the front seat belts can be pulled out slightly to remove the fabric under it.



## Sport Bar Cover – Installation Instructions

### 4 Remove Door Surrounds

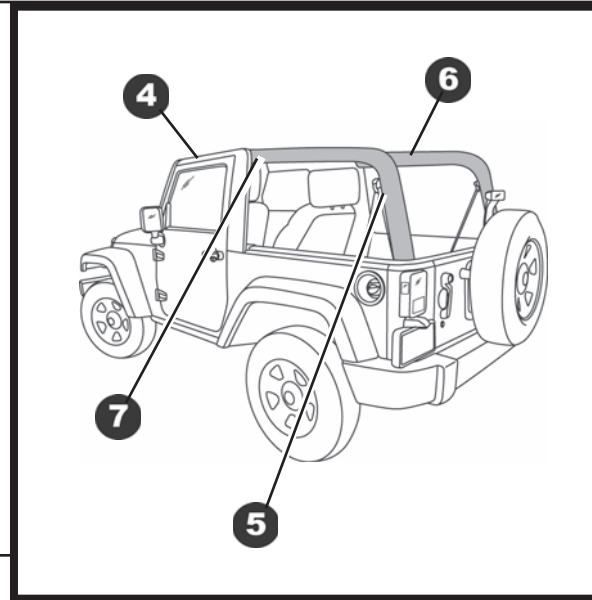
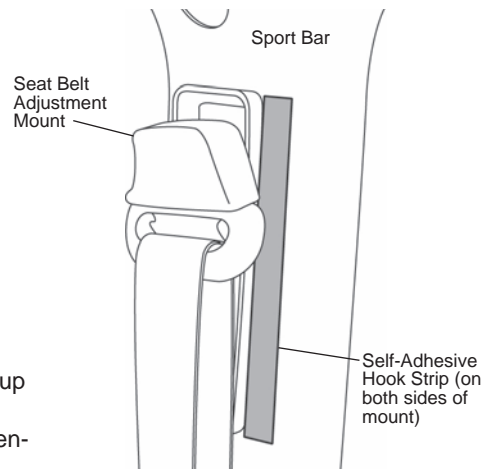
The installation of the Sport Bar Covers will be easier if the door surrounds are removed. Unscrew the knobs above each door opening and lift the molding off of the vehicle.



### 5 Install Self-Adhesive Hook Strip

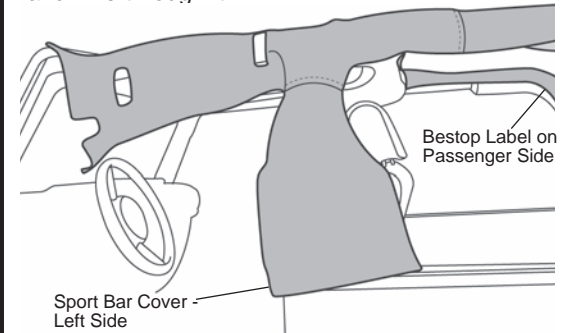
Locate the Self-Adhesive Hook Strip in the parts kit. Cut it into four (4) 7.5" pieces. Use a 50% Alcohol Solution to clean the area on each side of the Seat Belt Adjustment Mount on each side of the vehicle. Peel the backing off a Hook Strip and press it firmly into place along the side of one of the mounts. Repeat with the remaining strips.

**NOTE** The adhesive may take up to 72 hours to set. Avoid unnecessary fastening and unfastening of the cover for 72 hours.



### 6 Orient the Sport Bar Covers on Vehicle

Orient the Sport Bar Covers on the vehicle. The Bestop label on the rear leg is the passenger's side cover. Locate the hole in the cover on the passenger's side and slip the speaker connector and wire through it.



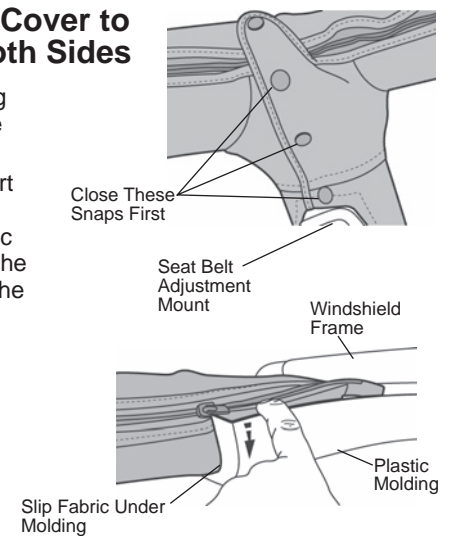
### 7 Secure the Sport Bar Cover to Center Sport Bar – Both Sides

Wrap the fabric around the vertical leg of the center sport bar and secure the lower three (3) snaps near the top.

Start the zipper at the front of the sport bar and close it toward the rear of the vehicle. Pull down gently on the plastic molding near the windshield to allow the fabric under the housing. Make sure the openings in the fabric line up with the Door Surround mounting holes.

Repeat this on the other side of the vehicle.

Close the flap over the zippers and secure the top snap.



## Sport Bar Cover – Installation Instructions

### 8 Secure Center Sport Bar Legs

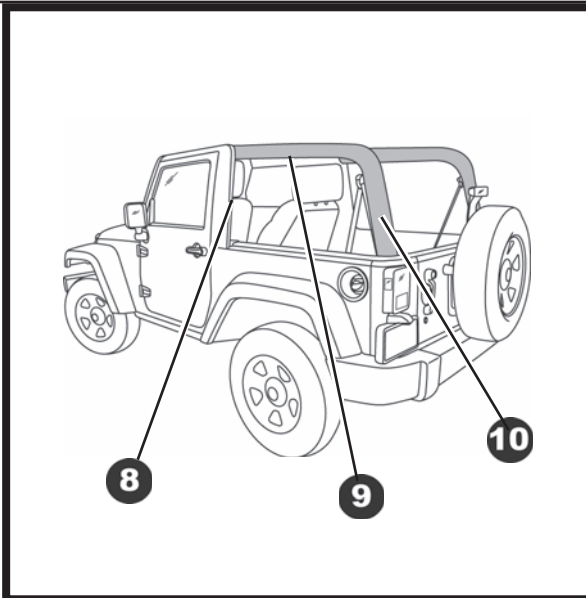
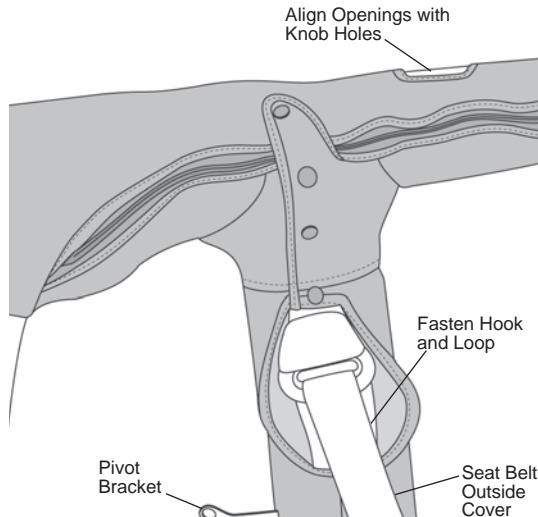
Wrap the fabric around the center sport bar below the seat belt mount. Make sure that the seat belt is not caught in the fabric and that it operates freely. If you have a soft top, slip the flanges in the Pivot Brackets through the openings in the fabric.

Start the zipper at the bottom and close a few inches. Work the bottom edge of the fabric under the plastic housing at the bottom of the sport bar.

Fasten the loop strips sewn to the cover to the Self-Adhesive Hook installed on the sport bar. Close the zipper the rest of the way.

Adjust the snaps above the Seat Belt Mount if necessary.

Repeat on both sides of the vehicle.

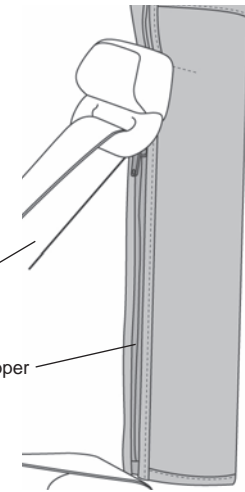


### 10 Secure Lower Rear Leg of Sport Bar Cover

Start the lower zipper at the bottom of the cover and close it up to the seat belt mount. Make sure that the seat belt is not caught in the cover and operates freely. Repeat this on both sides of the vehicle.

Seat Belt Outside Cover

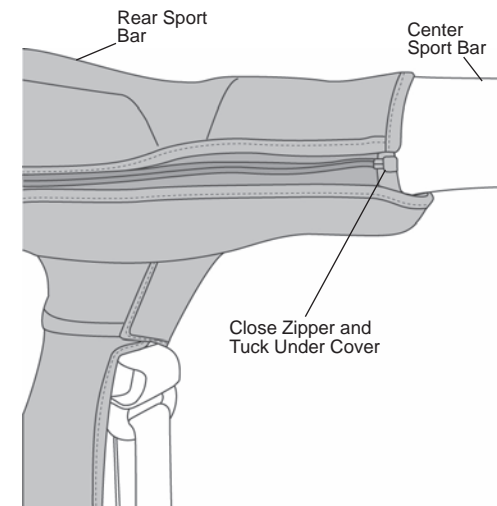
Close Zipper



### 9 Secure Upper Rear Leg of Sport Bar Cover

Drape the rear legs of the cover over the sport bar and fit the curve in the fabric to the curve of the bar. Start the zipper above the rear seat belt mount and close it to the end of the zipper.

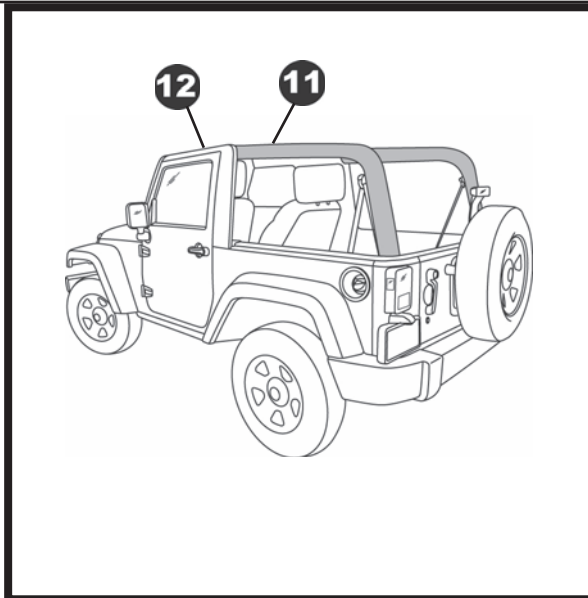
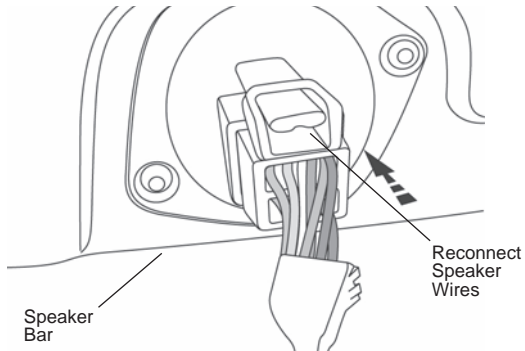
Repeat this on both sides of the vehicle.



## Sport Bar Cover – Installation Instructions

### 11 Reinstall Speaker Bar

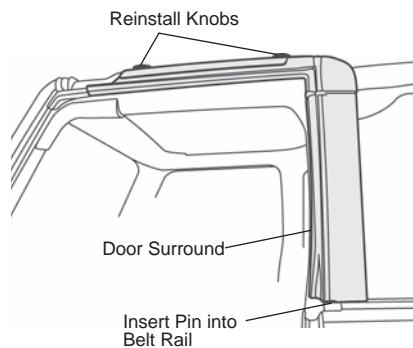
Pre-cut holes in the fabric allow access for the push fasteners, wiring and bolts to reinstall the speaker bar. Reconnect the wiring and use a 10mm socket to tighten the bolts.



### 12 Reinstall Door Surrounds

If you have a soft top, you will need to reinstall the door surrounds. Insert the pin on the bottom of the door surround into the hole in the belt rail behind the door. Press the channels along the top of the door surround around the horizontal sport bar above the door opening. Insert two knobs into the door surround and tighten them down.

Repeat on both sides of the vehicle.



## Sport Bar Cover – Installation Instructions

### Care and Maintenance of your Bestop Product

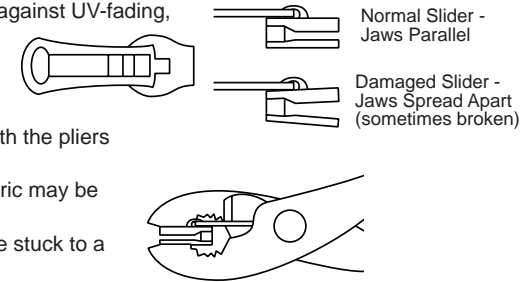
Your Bestop product is made of the finest materials available. To keep it looking new and for the maximum possible wear, it will need periodic cleaning and maintenance.

**Washing:** The fabric should be washed often using soap, warm water and a soft bristle brush. Rinse with clear water to remove all traces of soap or use Bestop-recommended Bestop Cleaner and Bestop Protectant. Bestop Cleaner and Bestop Protectant are specially formulated to provide a total cleaning and protection system. Bestop Cleaner will not harm vehicle finish, is biodegradable and environmentally friendly. Bestop Protectant protects against UV-fading, cracking and hardening.

**Zippers:** Keeping the zipper cleaned and lubricated with a silicone lubricant will help prevent damage and keep the zippers in a smooth working condition. If a zipper opens behind the slider, the slider may have been spread apart. This problem can usually be repaired by using an ordinary pair of pliers to bring the sides back into parallel. Return slider to the end of the zipper in the normal Open position. Squeeze lightly at first and test the zipper. If the zipper continues to remain open squeeze more firmly with the pliers and try the zipper again. Repeat this procedure until the zipper operates correctly.

**Water:** Seeping through at the seams may be stopped by applying 3-M Scotchgard® on the inside of the seams. Rips in the fabric may be repaired with Bondex® iron on patches. Iron the patches to the Inside of the top, carefully following the Bondex® instructions.

**Snaps:** Keep snaps cleaned and lubricated with silicone to help prevent snaps from sticking to the studs. If a snap does become stuck to a stud, use a screwdriver and GENTLY pry apart to prevent permanent damage to the snap or the top fabric.



### LIMITED WARRANTY

We warrant our product to be free from defects in material and workmanship, for the terms specified below, provided there has been normal use and proper maintenance. This warranty applies to the original purchaser only. All remedies under this warranty are limited to the repair or replacement of any item or items found by the factory to be defective within the time period specified. If you have a warranty claim, first you must call our factory at the number below for instructions. You must retain proof of purchase and submit a copy with any items returned for warranty work. Upon completion of warranty work, if any, we will return the repaired or replaced item or items to you freight prepaid. Damage to our products caused by accidents, fire, vandalism, negligence, misinstallation, misuse, Acts of God, or by defective parts not manufactured by us, is not covered under this warranty.

THE WARRANTY TIME PERIOD IS AS FOLLOWS FOR REPLACE-A-TOP™, SAILCLOTH REPLACE-A-TOP™, SUPERTOP®, SUPERTOP® REPLACEMENT SKINS, SUNRIDER®, AND TIGERTOP®: TWO YEARS FROM DATE OF PURCHASE.

THE WARRANTY TIME PERIOD IS AS FOLLOWS FOR ALL OTHER "SOFT GOODS" MANUFACTURED BY OUR COMPANY (USING PRIMARILY VINYL, PLASTICS, AND/OR FOAM): ONE YEAR FROM DATE OF PURCHASE.

THE WARRANTY TIME PERIOD IS AS FOLLOWS FOR ALL OTHER "HARD GOODS" MANUFACTURED BY OUR COMPANY (USING PRIMARILY METALS, PLASTICS, AND/OR FIBERGLASS): ONE YEAR FROM DATE OF PURCHASE.

ANY IMPLIED WARRANTIES OF MERCHANTABILITY AND/OR FITNESS FOR A PARTICULAR PURPOSE CREATED HEREBY ARE LIMITED IN DURATION TO THE SAME DURATION AND SCOPE AS THE EXPRESS WRITTEN WARRANTY. OUR COMPANY SHALL NOT BE LIABLE FOR ANY INCIDENTAL OR CONSEQUENTIAL DAMAGE.

Some states do not allow limitations on how long an implied warranty lasts, or the exclusion or limitation of incidental or consequential damages, so the above limitations or exclusions may not apply to you. This warranty gives you specific legal rights, and you may also have other rights which vary from state to state.



For further information or request for warranty work, please contact:  
Bestop Inc., Customer Service  
Toll-Free: (800)845-3567  
Main: (303)465-1755  
E-mail: [csbestop@Bestop.com](mailto:csbestop@Bestop.com)  
Website: [www.Bestop.com](http://www.Bestop.com)