

English .....	2
Français .....	13
Español .....	24
Svenska .....	35
Deutsch .....	46
Italian .....	57
Finnish .....	68

# Warnings and Cautions



As you read these instructions, you will see WARNINGS, CAUTIONS, NOTICES and NOTES. Each message has a specific purpose. WARNINGS are safety messages that indicate a potentially hazardous situation, which, if not avoided could result in serious injury. CAUTIONS are safety messages that indicate a potentially hazardous situation which, if not avoided, could result in minor or moderate injury. A CAUTION may also be used to alert against unsafe practice. CAUTIONS and WARNINGS identify the hazard, indicate how to avoid the hazard, and advise of the probable consequence of not avoiding the hazard. NOTICES are messages to avoid property damage. NOTES are additional information to help you complete a procedure. **PLEASE WORK SAFELY!**

**WARNING**

**MOVING PARTS ENTANGLEMENT HAZARD**

Failure to observe these instructions could lead to severe injury or death.

To avoid injury to hands or fingers:

- **Always** keep hands clear of rope, hook loop, hook and fairlead opening during installation, operation and when spooling in or out.
- **Always** use extreme caution when handling hook and rope during spooling operations.
- **Always** use supplied hook strap whenever spooling rope in or out, during installation, and during operation.
- **Always** keep vehicle in sight during winching operation.
- **Always** wear heavy leather gloves when handling rope.

**WARNING**

**CHEMICAL AND FIRE HAZARD**

Failure to observe these instructions could lead to severe injury or death.

- **Always** remove jewelry and wear eye protection.
- **Never** lean over battery while making connections.
- **Always** verify area is clear of fuel lines, fuel tank, brake lines, electrical wires, etc. when drilling.
- **Never** route electrical cables:
  - Across any sharp edges.
  - Through or near moving parts.
  - Near parts that become hot.
- **Always** insulate and protect all exposed wiring and electrical terminals.
- **Always** install terminal boots as directed in installation instructions.

**CAUTION**

**MOVING PARTS ENTANGLEMENT HAZARD**

Failure to observe these instructions could lead to minor or moderate injury.

- **Always** keep wired remote control lead clear of the drum, rope and rigging. Inspect for cracks, pinches, frayed wires or loose connections. Replace remote control if damaged.
- **Always** pass wired remote control through a window to avoid pinching lead in door, when using remote inside a vehicle.
- **Never** leave remote control where it can be activated during freespooling, rigging, or when the winch is not being used.

**CAUTION**

**MOVING PARTS ENTANGLEMENT HAZARD**

Failure to observe these instructions could lead to minor or moderate injury.

**General Safety:**

- **Always** know your winch. Take time to fully read the Installation Guide and the Basic Guide to Winching Techniques in order to understand your winch and its operation.
- **Never** operate this winch if you are under 16 years of age.
- **Never** operate this winch when under the influence of drugs, alcohol or medication.
- **Never** exceed winch or rope capacity listed on product data sheet. Double line using a snatch block to reduce winch load.

**Installation Safety:**

- **Always** choose a mounting location that is sufficiently strong to withstand the maximum pulling capacity of your winch.
- **Always** use factory approved mounting hardware, components, and accessories.
- **Always** use grade 5 or better mounting hardware.
- **Never** weld mounting bolts.
- **Always** use care when using longer bolts than those supplied from factory. Bolts that are too long can damage the base and/or prevent the winch from being mounted securely.
- **Always** mount the winch and attach the hook to the rope's end loop before connecting the electrical wiring.
- **Always** position fairlead with WARNING label on top.
- **Always** spool the rope onto the drum in the direction specified by the winch warning label on the winch and/or documentation. This is required for the automatic brake to function properly.
- **Always** prestretch wire rope and respool under load before use. Tightly wound wire rope reduces chances of "binding", which can damage the rope.

**CAUTION**

**MOVING PARTS ENTANGLEMENT HAZARD**

Failure to observe these instructions could lead to minor or moderate injury.

- **Always** inspect, rope, hook, and slings before operating winch. Damaged components must be replaced before operation. Protect parts from damage.
- **Never** leave remote control plugged into winch when free spooling, rigging, or when the winch is not being used.
- **Never** hook rope back onto itself. This damages the rope.
- **Always** use a choker chain, choker rope, or tree trunk protector on the anchor.
- **Always** remove any element or obstacle that may interfere with safe operation of the winch.
- **Always** take time to use appropriate rigging techniques for a winch pull.
- **Always** be certain the anchor you select will withstand the load and the strap or chain will not slip.
- **Never** engage or disengage clutch if winch is under load, rope is in tension or drum is moving.
- **Never** winch with less than 5 wraps of rope around the drum. The rope could come loose from the drum.
- **Never** touch rope or hook while in tension or under load.
- **Never** touch rope or hook while someone else is at the control switch or during winching operation.
- **Always** stand clear of rope and load and keep others away while winching.
- **Always** be aware of stability of vehicle and load during winching. Alert all bystanders of any unstable condition.
- **Never** use winch to secure a load.

**CAUTION**



**CUT AND BURN HAZARD**

Failure to observe these instructions could lead to minor or moderate injury.

To avoid injury to hands and fingers:

- Always wear heavy leather gloves when handling a rope.
- Never let rope slip through your hands.
- Always be aware of possible hot surface at winch motor, drum or rope during or after winch use.

**WARNING**



**FALLING OR CRUSHING HAZARD**

Failure to observe these instructions could lead to severe injury or death.

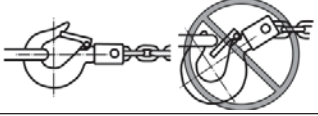
- Never use winch to lift or move persons.
- Never use winch as a hoist or to suspend a load.

**NOTICE**

**AVOID WINCH AND EQUIPMENT DAMAGE**

- Always avoid side pulls which can pile up rope at one end of the drum. This can damage rope or winch.
- Always ensure the clutch is fully engaged or disengaged.
- Never use winch to tow other vehicles or objects. Shock loads can momentarily exceed capacity of rope and winch.
- Always avoid "powering out" for extended distances. This causes excess heat and wear on the winch motor and brake.
- Always use care to not damage the vehicle frame when anchoring to a vehicle during a winching operation.
- Never "jog" rope under load. Shock loads can momentarily exceed capacity of rope and winch.
- Never use winch to secure a load during transport.
- Never submerge winch in water.
- Always store the remote control in a protected, clean, dry area.
- Always double line or pick distant anchor point when rigging. This maximizes pulling power and avoids overloading the winch.

**CAUTION**



**MOVING PARTS ENTANGLEMENT HAZARD**

Failure to observe these instructions could lead to minor to moderate injury.

- Always use a hook with a latch
- Always insure hook latch is closed and not supporting load.
- Never apply load to hook tip or latch. Apply load only to the center of hook.
- Never use a hook whose throat opening has increased, or whose tip is bent or twisted.

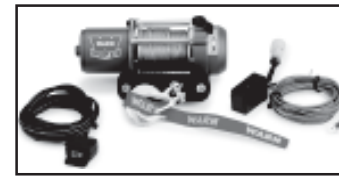


Figure 1. WARN RT/XT15 winch kit

## Specifications

**Part number:** PN 78000 (RT15); PN 78500 (XT15)

**Rated line pull:** 1500 lbs. (680 kgs.) single-line

**Motor:** 12V DC, .4 hp (.3kW) permanent magnet

**Control:** Handlebar mounted Mini-rocker switch

**Geartrain:** 3-Stage Planetary

**Gear ratio:** 103:1

**Clutch (freespooling):** Cam activated

**Brake:** Mechanical brake standard

**Drum diameter/Length:** 1.5"/3.0" (3,8cm/7,6cm)

**Weight:** 11.5 lbs. (5.2 kgs)

**Wire rope:** 50', 5/32" diameter (15m, 4mm diam.)

**Fairlead:** Hawse

**Recommended Battery:** 12 Amp/hour minimum for winching

**Battery leads:** 10 gauge

**Duty Cycle:** Intermittent

**Finish:** Grey

## Performance Data

Line Pull lbs (kgs)	Line Speed ft/min (m/min)	Motor Current Amps
0	15 (4.6)	6
500 (227)	11 (3.3)	27
1000 (455)	7 (2.1)	44
1500 (680)	5 (1.5)	65

Above performance specs are based on first layer of drum

**Pulling power**      **Wire rope layer**  
lbs (kgs)              1st is closest to drum

1500 (680)	1st
1320 (599)	2nd
1162 (527)	3rd
1020 (463)	4th

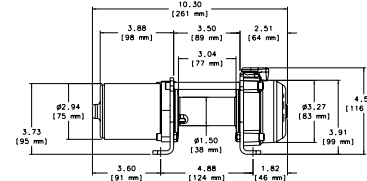


Figure 2. Winch dimensions:  
10.3" L. x 4.0" D. x 4.56" H.  
26cm L. x 10cm D. x 11cm H.

## ⚠ CAUTION

To prevent accidental activation of the winch and serious injury, complete the winch installation and attach the hook before installing the wiring.

## Step One: Safety First!

When installing your ATV winch system, read and follow all mounting and safety instructions. Always use caution when working with electricity and remember to verify that no exposed electrical connections exist before energizing your winch circuit.

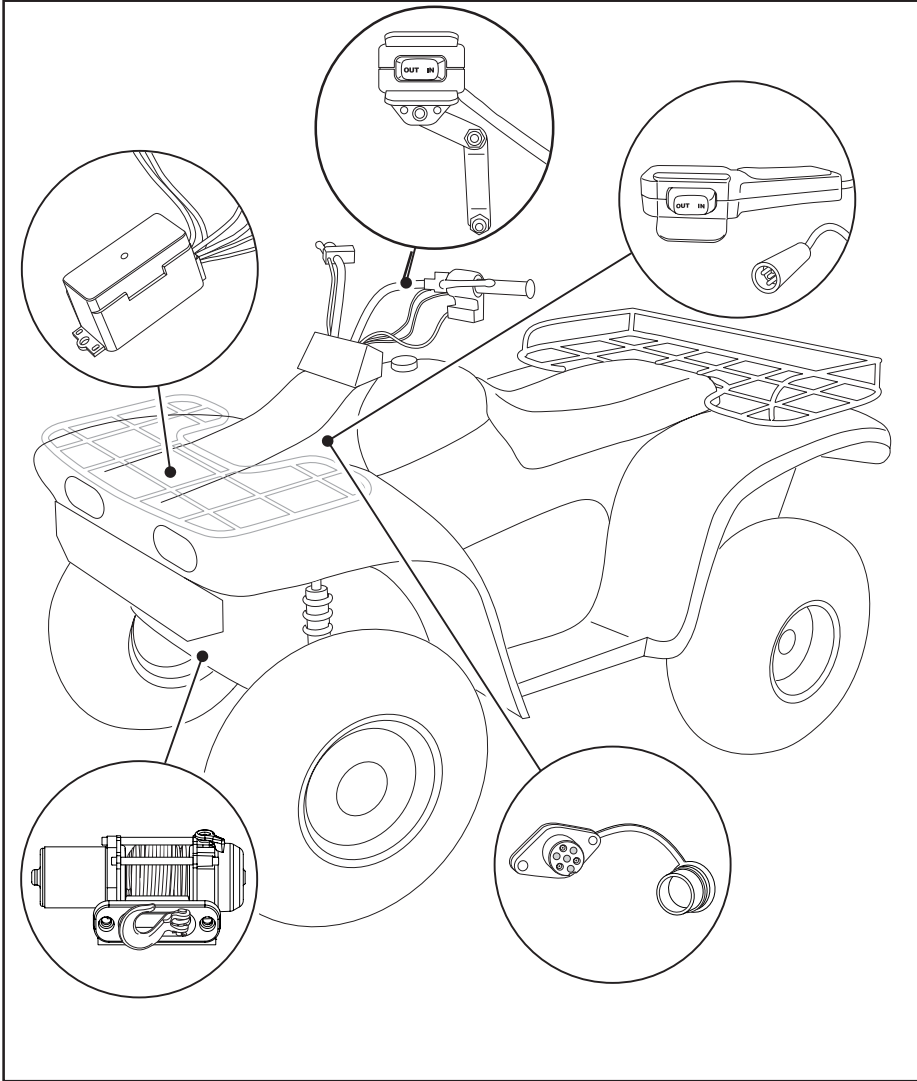


Figure 3: To install the complete kit, you will need to mount the winch, contactor handlebar mounted Mini-rocker switch and remote socket (optional on the RT/XT15 winch). Mounting locations may vary depending on make and model of the ATV. Read and understand the following instructions to choose the appropriate mounting locations.

## WARN mounting plates are recommended

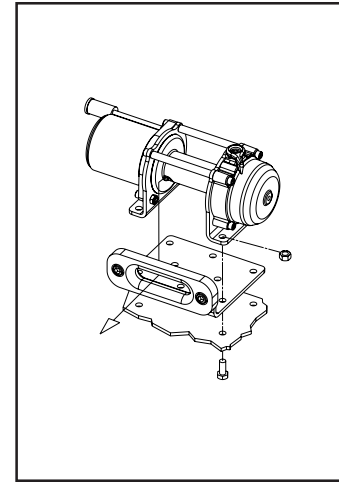


Figure 4: Orientation of winch to mounting plate.

## Step Two: Winch Mounting

ATV winch mounting kits are available from your Warn Dealer to satisfy nearly all ATV applications. For information on available kits, contact your WARN product dealer.

To secure the winch, always use:

- A flat, secure mounting location at least 3/16 in. (4.8 mm) thick.
- 5/16 - 18 Nyloc Nuts
- Must use the 5/16-18 x 1 in., grade 5 hex head cap screws supplied. Use 5/16 - 18 x 3/4 if mount has integrated fairlead mount.

- Torque mounting bolts to 12 ft-lbs (1.7 kg-m).

Attach the clevis hook to the wire rope at this time.

- Put clutch in freespool position.
- Manually feed cable loop through fairlead.
- Attach hook to cable loop and re-engage clutch.

## Step Three: Contactor Location

- The contactor is a primary safety feature in your winch system. It disconnects your winch from its power source when the ATV is not in use. The contactor must be correctly installed to work properly.

- It is recommended that the contactor be mounted in a location that is as clean and dry as possible. Exact location will vary, depending on the ATV.

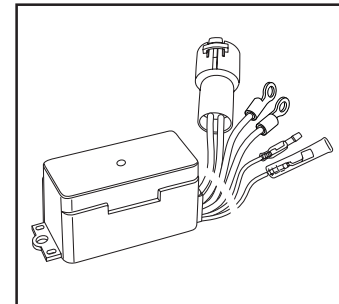


Figure 5. Contactor for the WARN ATV RT/XT15 winch

## Step Four: Mount the Handlebar Switch

### WARNING

TO PREVENT SERIOUS INJURY OR DEATH FROM ELECTRICAL FIRE:

- Do NOT route electrical cables across sharp edges.
- Do NOT route electrical cables through or near moving parts.
- Do NOT route electrical cables through or near any high heat parts.
- Avoid pinch and wear/abrasion points when installing all electrical cables.

TO AVOID INJURY AND PROPERTY DAMAGE:

- Use caution when moving or repositioning any vehicle controls so as to not compromise the safe operation of the ATV. Select a mounting position that will provide clearance for all vehicle controls.
- Before securing the switch cable with tie wraps, make sure that the handlebars have full range of motion.

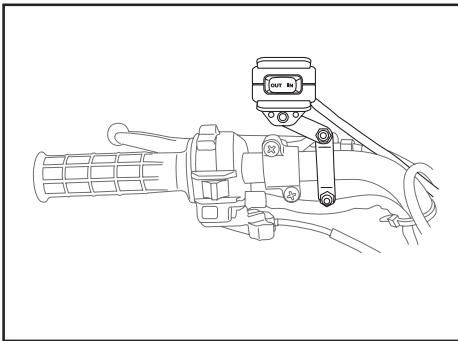
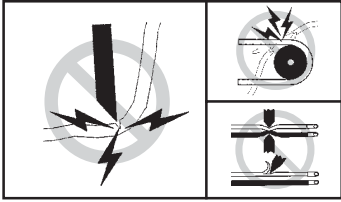


Figure 6: Handlebar mount. Exact positioning may vary depending on ATV make and model.

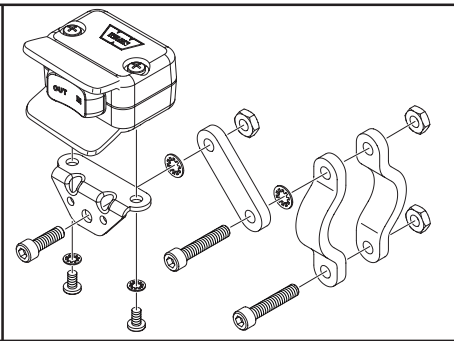


Figure 7: Mini-rocker switch assembly.

- It is recommended that the switch be installed on the left handlebar. A piece of electrical tape around the handlebar will help prevent rotation of mount on the handle bar.
- Do not tighten over any hoses or cables.
- Once the handle bar switch is mounted, route the two bullet terminal wires back to where the contactor will be mounted. Splice the end of the red 20ga wire to a key controlled accessory circuit of the ATV (use the provided wire splice). Using a test light, locate a suitable wire from the ATV key switch. The wire should only have power when the key is in the "ON" position.

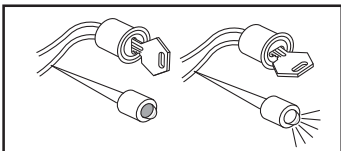


Figure 8: Use a test light to locate a suitable wire.

## Step Five: Remote Socket Installation (optional for RT/XT15)

### WARNING

TO PREVENT SERIOUS INJURY OR DEATH FROM EXPLOSION:

- Do not drill into gas tank.
- Verify the area is clear behind the mounting location before drilling.

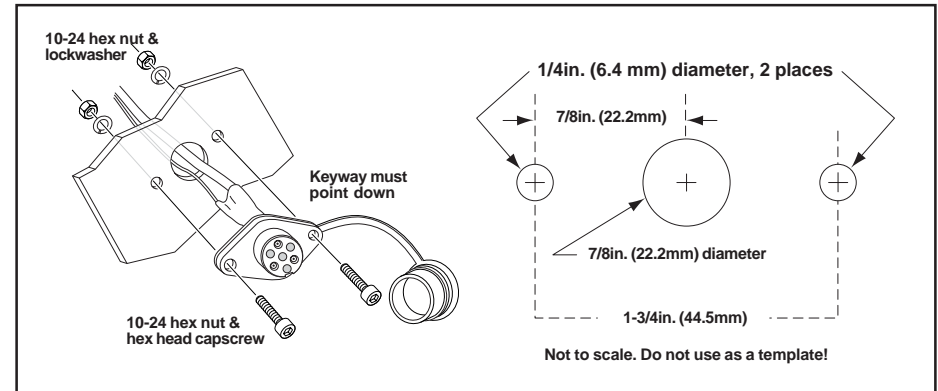


Figure 9. Remote socket installation.

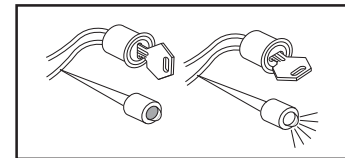


Figure 10: Use a test light to locate a suitable wire.

- After determining the mounting location for the remote socket, drill three holes and install. (see figure 9)
- Once the remote socket is mounted, route the two bullet terminal wires back to where the contactor will be mounted. Splice the end of the red 20ga wire to a key controlled accessory circuit of the ATV (use the provided wire splice). Using a test light, locate a suitable wire from the ATV key switch. The wire should only have power when the key is in the "ON" position.

**NOTE: If installing both switches, both 20 gage red wires MUST be spliced to a key controlled wire of the ATV as described above.**



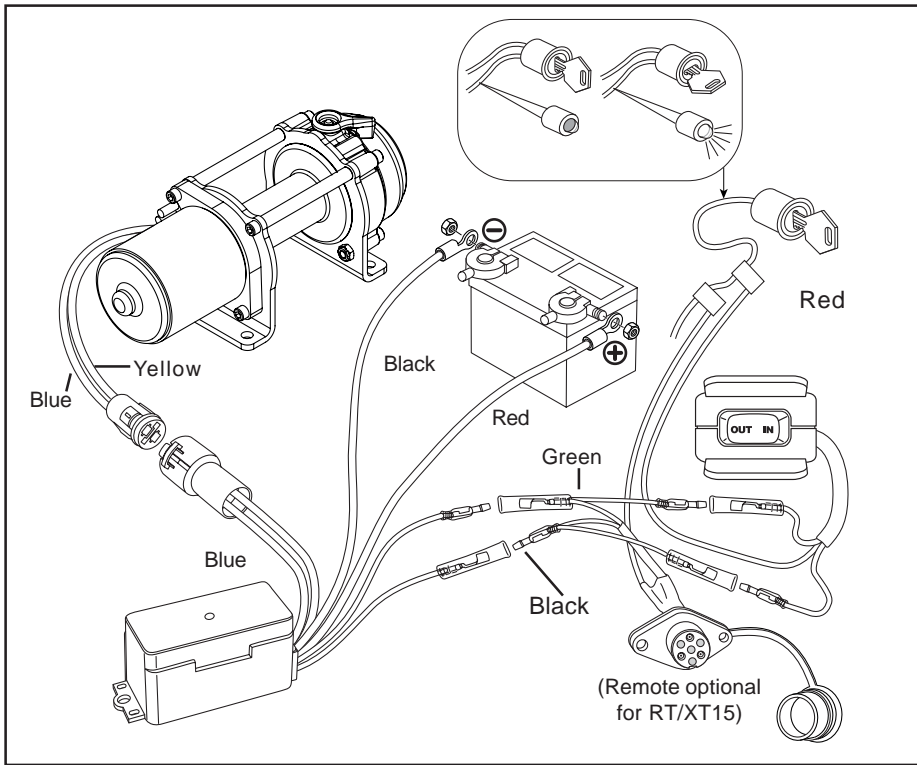


Figure 11. Wiring Installation diagram

## Step Six: Wiring Installation



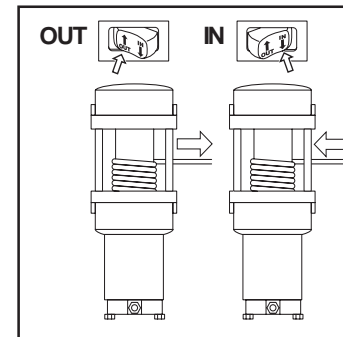
- Route the wires from the winch along the frame toward the steering column of the vehicle. The contactor must be installed in the cleanest and dry place on ATV. The contactor will also need to be located so the handlebar switch wires can reach the contactor.
- Secure the contactor with a 1/4" bolt and zip tie or two zip ties. The contactor must be secured on both sides.
- If installing both the handle bar switch and the remote socket, first, attach the terminals on the green and black remote socket wires into the contactor (green to green, black to black). Next, attach the terminals on the handle bar switch wires into the "Y" connectors on the remote socket wire harness after removing the dust caps.

- If only installing the handlebar switch, attach the terminals on the green and black handle bar switch wires directly to the terminals of the contactor.
- When possible, route the winch kit power (red) and ground (black) wires along the ATV's existing wire routing path in the under seat and battery location areas. Ensure the wiring is not pinched when the seat is reinstalled.
- Assure that cables do not cross sharp edges, moving parts, or contact items that may become hot.
- Secure loose wiring with zip ties or electrical tape prior to final ATV reassembly.

## Step Seven: System Check

Before using the winch, verify the following:

- Wiring to all components is correct. All loose wires are tie wrapped tight.
- There are no exposed wiring or terminals. Cover any existing terminal exposures with terminal boots, heat shrink tubing or electricians tape.
- Turn ATV key switch to ON position. Check winch for proper operation. The wire rope should spool in and out in the direction indicated on the switch.



KNOW YOUR WINCH:

- Take time to fully understand your winch and the winching operation by reviewing the *Basic Guide to Winching Techniques* included with your winch.

## Service

Should you encounter a problem during installation or operation of your winch, please follow these steps toward resolving the problem:

1. Refer to your operator's guide and installation instructions. It has illustrations and detailed information on the installation and safe and proper operation of your winch. It also includes a replacement parts list and assembly diagrams. If you are unable to resolve the problem, then go to step 2.
2. Contact your dealer where you purchased your winch. If, after discussing the problem with their parts and service staff, you are still unable to resolve the problem then go to step 3.

- Call an Authorized WARN Service center from the list provided on the back of the warranty sheet included with the product. When calling, please have the following information available: winch model number and purchase date, make, model and year of ATV.
- If you are unable to resolve the problem to your satisfaction, please call Warn Industries Customer Service at: 1-800-543-9276. When calling, please have the following information available: winch model number and purchase date, make, model and year of ATV. You may also contact Warn Industries by visiting our website: [www.warn.com](http://www.warn.com).

## Warranty

Please refer to the warranty sheet enclosed with your winch for details.

## Replacement Part Numbers

Ordering information: Parts may be obtained through your local dealer or distributor.

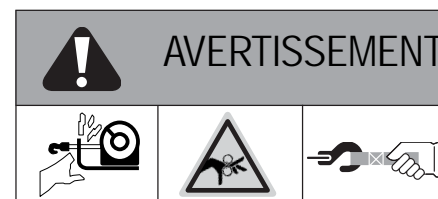
Part Number	Description
PN 69336	Wire Rope assembly, 5/32" x 50'
PN 69344	Motor Winch, RT/XT15, grey
PN 69281	Contacteur, RT/XT15
PN 64849	Remote control, 10 ft.
PN 62258	Remote control socket
PN 28929	Roller fairlead kit
PN 28930	Hawse fairlead kit
PN 39557	Hook, 5/16 Clevis slip with strap
PN 38293	Strap, hook
PN 69206	Switch Kit, Mini, 19" SP

The above list represents the most commonly requested replacement parts. A full listing of replacement and service parts are available. Check with your WARN authorized dealer or on the web: [www.warn.com](http://www.warn.com)

## Avertissements et mises en garde



Les directives suivantes comprennent des indications intitulées AVERTISSEMENT, MISE EN GARDE, AVIS et REMARQUE. Chacune a un objectif bien précis : AVERTISSEMENT présente des consignes de sécurité soulignant un danger potentiel qui, s'il n'est pas évité, peut entraîner des blessures graves. MISE EN GARDE comprend des consignes de sécurité signalant un danger potentiel qui, s'il n'est pas évité, peut entraîner des blessures légères ou modérées. MISE EN GARDE sert aussi à signaler une utilisation dangereuse. MISE EN GARDE et AVERTISSEMENT identifient un danger, indiquent comment l'éviter et montrent ses conséquences possibles si on l'ignore. AVIS présente des consignes visant à éviter les dommages matériels. REMARQUE donne des renseignements additionnels qui aident à accomplir une procédure. **TRAVAILLEZ PRUDEMMENT !**



### DANGER DE HAPPEMENT PAR DES PIÈCES MOBILES

Le non-respect des consignes peut entraîner des blessures graves ou la mort.

- Toujours garder les mains éloignées du câble, de la boucle du crochet, du crochet et de l'ouverture du guide-câble durant l'installation et l'utilisation du treuil et l'enroulement ou le déroulement du câble.
- Toujours faire très attention en manipulant le crochet et le câble pendant les manœuvres de déroulement.
- Toujours utiliser le cordon du crochet fourni pour enrouler ou dérouler le câble, durant l'installation ou l'utilisation.
- Toujours garder l'œil sur le véhicule durant les opérations de treuillage.
- Toujours porter des gants de cuir épais durant la manipulation du câble.



### AVERTISSEMENT



### RISQUES ASSOCIÉS AUX PRODUITS CHIMIQUES ET RISQUE D'INCENDIE

Le non-respect des consignes peut entraîner des blessures graves ou la mort.

- Toujours retirer les bijoux et porter des lunettes de sécurité.
- Ne jamais se pencher au-dessus de la batterie en procédant aux connexions.
- Avant de percer, toujours s'assurer que la zone ne contient pas de conduites de carburant, de réservoir de carburant, de conduites de frein, de câblage électrique, etc.
- Ne jamais faire passer des câbles électriques :
  - Sur des bords tranchants.
  - Par des pièces mobiles ou à proximité.
  - À proximité de pièces pouvant devenir chaudes.
- Toujours isoler et protéger tous les fils et bornes électriques exposés.
- Toujours installer les capuchons de borne de la manière indiquée dans les instructions d'installation.



### MISE EN GARDE

### DANGER DE HAPPEMENT PAR DES PIÈCES MOBILES

- Le non-respect des instructions peut entraîner des blessures mineures ou modérées.
- Toujours garder le fil de la télécommande à l'écart du tambour, du câble et du câblage. S'assurer qu'il n'y a pas de fissures, de points de pincement, de fils effilochés ou de connexions desserrées. Remplacer la télécommande en cas de dommages.
- Si l'on manie la télécommande de l'intérieur d'un véhicule, toujours faire passer la télécommande par la fenêtre pour éviter de pincer le fil.
- Ne jamais laisser la télécommande dans un endroit où elle peut être activée durant la mise en roue libre, le câblage ou quand le treuil n'est pas utilisé.



## MISE EN GARDE

### DANGER DE HAPPEMENT PAR DES PIÈCES MOBILES

Le non-respect des instructions peut entraîner des blessures mineures ou modérées.

#### Consignes de sécurité générales :

- Toujours se familiariser avec le treuil. Prendre le temps de bien lire le manuel d'installation et le manuel de base des techniques de treuillage afin de comprendre l'appareil et son fonctionnement.
- Les personnes âgées de moins de 16 ans ne doivent jamais faire fonctionner cet appareil.
- Ne jamais faire fonctionner l'appareil sous l'effet de drogues, de l'alcool ou de médicaments.
- Ne jamais excéder la capacité nominale du treuil ou du câble d'acier indiquée sur la fiche technique du produit. Un câblage double avec poulie ouvrante permet de réduire la charge subie par le treuil.
- Ne jamais se servir du treuil ou du câble pour faire du remorquage.

#### Consignes de sécurité se rapportant à l'installation :

- Toujours choisir une surface de montage suffisamment résistante pour supporter la capacité de traction maximale du treuil.
- Toujours utiliser du matériel de montage, des composants et des accessoires homologués par le fabricant.
- Toujours utiliser un matériel de montage de catégorie 8 ou supérieure.
- Ne jamais souder les boulons de montage.
- Toujours faire attention quand on utilise des boulons plus longs que ceux fournis par le fabricant. Des boulons trop longs peuvent endommager la base ou empêcher le treuil d'être monté de manière sûre.
- Toujours monter le treuil et fixer le crochet à la boucle d'extrémité du câble avant de raccorder le câblage électrique.
- Toujours positionner le guide-câble avec l'étiquette d'AVERTISSEMENT sur le dessus.
- Toujours enrouler le câble sur le tambour dans le sens spécifié par l'étiquette d'avertissement apposée sur le treuil ou la documentation du treuil. Cela est nécessaire pour que le frein automatique fonctionne correctement.
- Toujours étirer le câble au préalable et l'enrouler sous charge avant de l'utiliser. Un câble enroulé de manière serrée réduit le risque qu'il coince et soit endommagé.



## MISE EN GARDE

### DANGER DE HAPPEMENT PAR DES PIÈCES MOBILES

Le non-respect des instructions peut entraîner des blessures mineures ou modérées.

- Toujours inspecter le câble, le crochet et les élingues avant de faire fonctionner le treuil. Tous les composants endommagés doivent être remplacés avant d'utiliser le produit. Protéger toutes les pièces contre le risque de dommages.
- Ne jamais laisser la télécommande branchée sur le treuil durant la mise en roue libre, le câblage ou quand le treuil n'est pas utilisé.
- Ne jamais accrocher le câble à lui-même. Cela l'endommagerait.
- Toujours utiliser une chaîne ou un câble à nœud coulant, ou une protection de tronc d'arbre sur le point d'ancrage.
- Toujours s'assurer que tous les obstacles potentiels sont écartés.
- Toujours prendre le temps d'utiliser les techniques de câblage appropriées avant de faire fonctionner le treuil.
- Toujours s'assurer que le point d'ancrage choisi peut supporter la charge et que la sangle ou la chaîne ne glisse pas.
- Ne jamais essayer d'embrayer ou de débrayer si le treuil est sous charge, si le câble est en tension ou si le tambour est en train de tourner.
- Ne jamais utiliser le treuil avec moins de 5 spires de câble enroulées autour du tambour. Le câble pourrait se dérouler du tambour.
- Ne jamais toucher le câble ou le crochet lorsque le câble est tendu ou sous charge.
- Ne jamais toucher le câble ou le crochet lorsqu'une autre personne manipule l'interrupteur de commande ou durant le fonctionnement du treuil.
- Toujours se tenir à l'écart du câble et de la charge et ne jamais laisser personne s'approcher durant l'utilisation.
- Toujours être conscient de la stabilité du véhicule et de la charge durant l'utilisation. Alerter toutes les personnes alentour en cas d'instabilité.
- Ne jamais se servir du treuil pour maintenir une charge.



## MISE EN GARDE



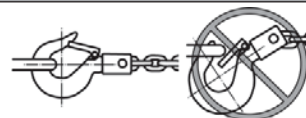
### RISQUE DE COUPURE ET DE BRÛLURE

Le non-respect des instructions peut entraîner des blessures mineures ou modérées.

- Pour éviter de se blesser les mains et les doigts :
- Toujours porter des gants de cuir résistants durant la manipulation du câble.
- Ne jamais laisser le câble glisser dans les mains.
- Toujours penser aux surfaces chaudes au niveau du moteur du treuil, du tambour ou du câble durant ou après l'utilisation du treuil.



## MISE EN GARDE



### DANGER DE HAPPEMENT PAR DES PIÈCES MOBILES

Le non-respect des instructions peut entraîner des blessures mineures ou modérées.

- Toujours utiliser un crochet avec loquet.
- Toujours s'assurer que le loquet du crochet est fermé et qu'il ne supporte aucune charge.
- Ne jamais appliquer la charge sur l'extrémité ou le loquet du crochet. Appliquer la charge uniquement au centre du crochet.
- Ne jamais utiliser un crochet dont l'ouverture de la gorge a augmenté ou dont l'extrémité est courbée ou tordue.



## AVERTISSEMENT



### DANGER DE CHUTE OU D'ÉCRASEMENT

Le non-respect des consignes peut entraîner des blessures graves ou la mort.

- Ne jamais utiliser le treuil pour soulever ou transporter des personnes.
- Ne jamais utiliser le treuil comme palan ou pour suspendre une charge.

## AVIS

### ÉVITER D'ENDOMMAGER LE TREUIL ET L'ÉQUIPEMENT

Toujours éviter de tirer sur le côté, ce qui a pour effet d'empiler le câble sur l'une des extrémités du tambour. Cela peut endommager le câble ou le treuil.

- Toujours s'assurer d'avoir complètement embrayé ou complètement débrayé.
- Ne jamais se servir du treuil pour remorquer d'autres véhicules ou objets. Les charges de choc peuvent momentanément dépasser de loin la capacité du câble et du treuil.
- Toujours éviter de dérouler le câble sur de grandes distances. Cela pourrait surchauffer et user le moteur du treuil et le frein.
- Toujours faire attention à ne pas endommager le cadre si l'on décide d'arrimer le véhicule pour pouvoir travailler avec le treuil.
- Ne jamais « secouer » le câble sous charge. Les charges de choc peuvent momentanément dépasser de loin la capacité du câble et du treuil.
- Ne jamais se servir du treuil pour maintenir une charge pendant le transport.
- Ne jamais submerger le treuil dans l'eau.
- Toujours ranger la télécommande dans un endroit sûr, propre et sec.
- Toujours utiliser une ligne double ou choisir un point d'ancrage distant pour le câblage. Cela optimise la puissance de traction et évite de surcharger le treuil.





Figure 1 : Kit de treuil WARN RT/XT15

## Caractéristiques

**Numéro de pièce** : réf. 78000 (RT15); 78500 (XT15)

**Effort en 1ère couche** : 680 kg (1500 lb) sur un brin

**Moteur** : Aimant permanent 12 V c.c., 0,3 kW (0,4 hp)

**Commande** : Mini-interrupteur à bascule installé sur le guidon

**Train d'engrenages** : Planétaire à 3 étages

**Rapport de démultiplication** : 103/1

**Embrayage (déroulement en roue libre)** : Activé par came

**Frein** : frein mécanique

**Longueur / diamètre du tambour** : 3,8cm / 7,6 cm (1,5 po / 3,0 po)

**Poids** : 5,2 kg (11,5 lb)

**Câble** : Longueur de 15 m (50 pi), diamètre de 4 mm (5/32 po)

**Guide-câble** : À haussière

**Batterie recommandée** : 12 Ah minimum pour le treuillage

**Fils de batterie** : Calibre 10

**Cycle d'utilisation** : Intermittent

**Finition** : Gris

## Données de performance

Effort par couche lb (kg)	Vitesse pi/min (m/min)	Intensité A
0	15 (4,6)	6
500 (227)	11 (3,3)	27
1000 (455)	7 (2,1)	44
1500 (680)	5 (1,5)	65

Les performances ci-dessus sont basées sur la première couche de tambour.

Puissance de traction lb (kg)	Couche du câble La 1ère couche la plus proche du tambour
1500 (680)	1ère
1320 (599)	2ème
1162 (527)	3ème
1020 (463)	4ème

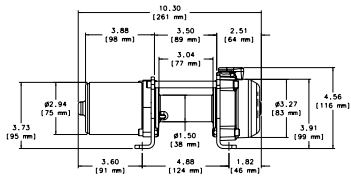


Figure 2 : dimensions du treuil :  
10.3 po (L) x 4.0 po (P) x 4.56 po (H)  
26 cm (L) x 10 cm (P) x 11 cm (H)

## ▲ Mise en garde

Pour éviter une activation accidentelle du treuil et des blessures graves, compléter l'installation du treuil et fixez le crochet avant d'installer le câblage électrique.

## Première Etape - La Sécurité Avant Tout!

Lisez et suivez les instructions de montage et de sécurité lors de l'installation du système de treuil VTT. Soyez toujours prudent(e) lorsque vous travaillez avec l'électricité et n'oubliez pas de vous assurer qu'aucune connexion électrique n'est exposée avant de mettre le circuit du treuil sous tension.

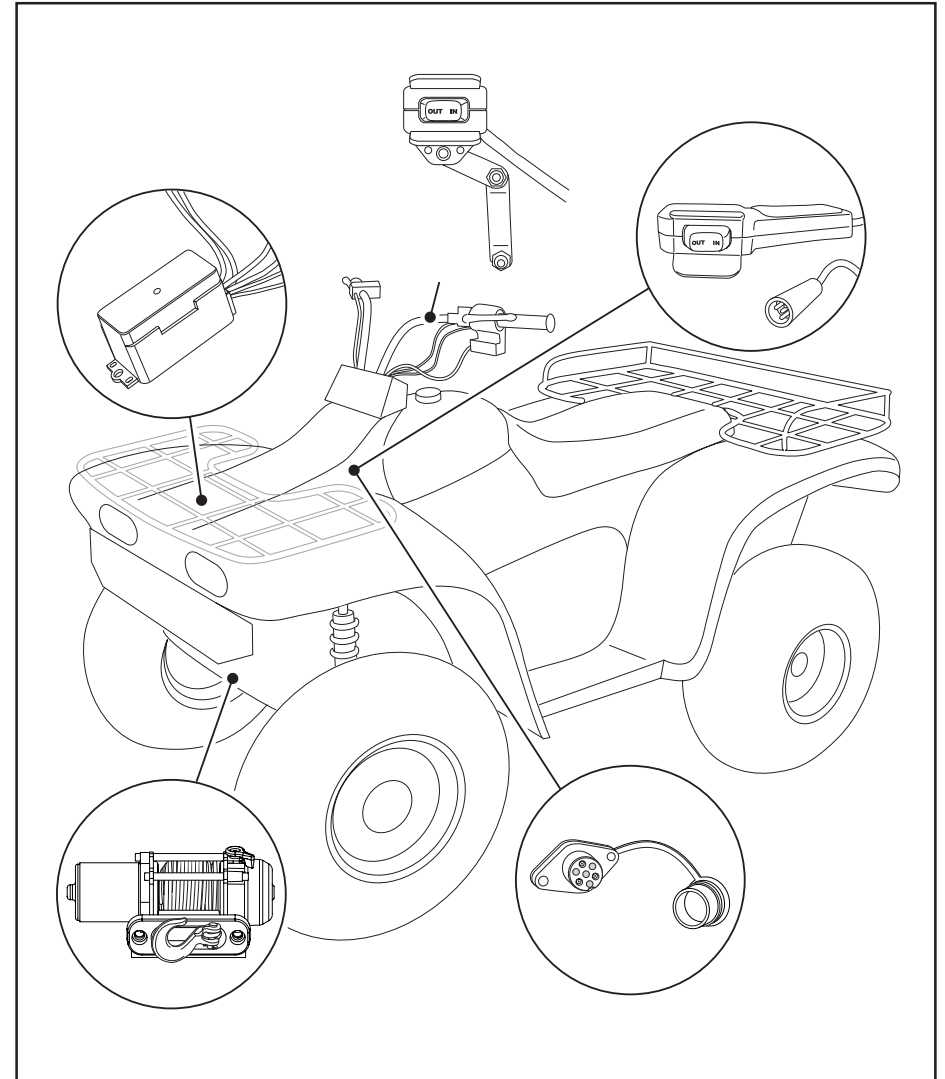


Figure 3 : pour installer le kit complet, vous devez installer le treuil, le mini-interrupteur à bascule installé sur le guidon du contacteur et la prise de la télécommande (en option sur le treuil RT/XT15). Les emplacements de montage peuvent varier selon la marque et le modèle de VTT. Prenez soin de bien lire et comprendre les instructions suivantes afin de choisir les emplacements de montage appropriés.

Les plaques de montage WARN sont recommandées.

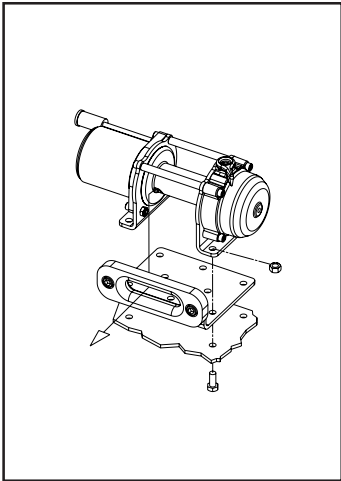


Figure 4 : orientation du treuil par rapport à la plaque de montage.

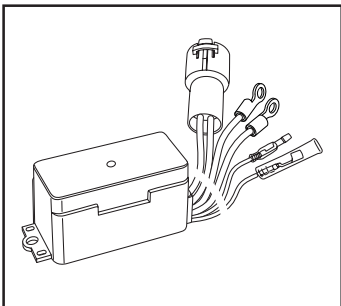


Figure 5 : contacteur pour le treuil de VTT WARN.

## Deuxième Etape - Montage du Treuil

Vous trouverez auprès de votre concessionnaire Warn des kits de montage de treuil pour VTT capables de satisfaire pratiquement tous vos besoins. Pour de plus amples informations sur les kits disponibles, contactez votre concessionnaire de produits WARN.

Pour fixer le treuil, servez-vous toujours des éléments suivants :

- Un emplacement de montage plat et sûr d'une épaisseur d'au moins 4,8 mm (3/16 po).
- 5/16 -18 Écrous à frein élastique
- Vous devez utiliser les vis à tête hexagonale 5/16-18 x 1 po, catégorie 5, fournies. Utilisez un boulon 5/16-18 x 3/4 si la pièce de montage comporte une plaque de guide-câble intégrée.
- Vissez les boulons de fixation à un couple de 1,7 kgf.m (12 pi-lb).

Attachez maintenant le crochet de la manille au câble.

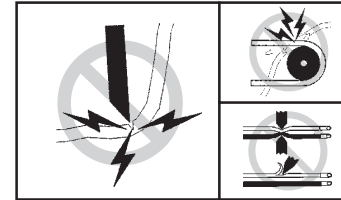
- Mettez l'embrayage en position de déroulement en roue libre.
- Passez manuellement la boucle du câble dans le guide-câble.
- Attachez le crochet à la boucle du câble et embraquez de nouveau.

## Troisième Etape – Emplacement du Contacteur

- Le contacteur constitue le principal dispositif de sécurité de votre treuil. Il déconnecte celui-ci de sa source d'alimentation lorsque le VTT n'est pas utilisé. En effet, le contacteur doit être correctement installé pour bien fonctionner.
- Il est recommandé d'installer le contacteur près de la batterie dans un emplacement aussi sec et propre que possible. L'emplacement exact variera selon le VTT.

## Quatrième Etape - Montez l'interrupteur sur guidon

### ⚠ AVERTISSEMENT



POUR ÉVITER LES RISQUES DE BLESSURES GRAVES OU MORTELLES SUITE À UN FEU ÉLECTRIQUE :

- Ne faites PAS passer les câbles électriques sur des bords tranchants.
- Ne faites PAS passer les câbles électriques par des pièces mobiles ou à proximité.
- Ne faites PAS passer les câbles électriques à travers des pièces très chaudes ou à proximité.
- Évitez les points de pincement et d'usure / abrasion lors de l'installation des câbles électriques.

POUR ÉVITER LES RISQUES DE BLESSURES ET DE DOMMAGES MATÉRIELS :

- Soyez prudent lorsque vous déplacez ou repositionnez les commandes du véhicule afin de ne pas créer de risques durant le fonctionnement du VTT. Sélectionnez un emplacement de montage permettant de dégager toutes les commandes du véhicule.
- Avant de fixer le câble de l'interrupteur avec des attaches autobloquantes, assurez-vous que les poignées peuvent tourner librement.

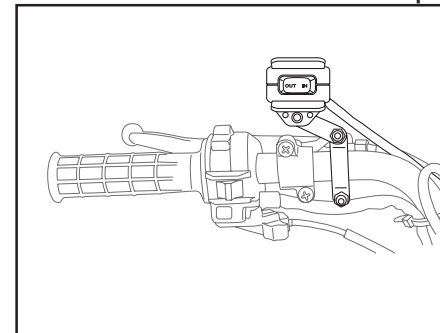


Figure 6 : montage sur la poignée. L'emplacement exact peut varier selon la marque et le modèle de VTT.

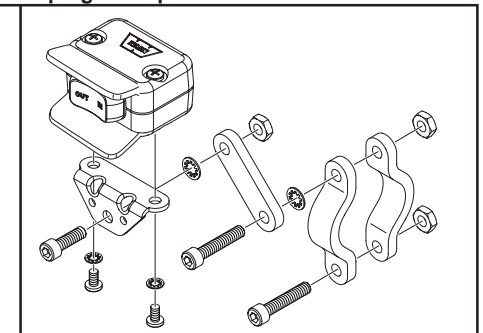


Figure 7 : ensemble de mini-interrupteur à bascule.

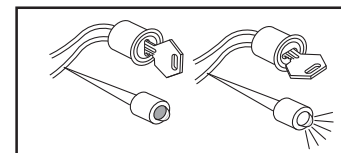


Figure 8 : utilisez une lampe témoin pour trouver le bon fil.

- Il est recommandé d'installer l'interrupteur sur la poignée gauche. Enroulez un morceau de ruban isolant autour de la poignée pour éviter que le support ne pivote sur la poignée.
- Ne serrez pas sur des tuyaux ou des câbles.
- Une fois l'interrupteur de la poignée installé, ramenez les deux fils à cosse cylindrique là où sera installé le contacteur. Épissez l'extrémité du fil rouge de calibre 0,5 avec le fil électrique du quad contrôlé par contact. Repérez, à l'aide d'une lampe témoin, un fil approprié provenant du contacteur à clé du quad. Le fil ne doit être sous tension que lorsque la clé est en position « ON » (marche).

## Cinquième Etape - Installation de la Prise de Télécommande (en option pour le RT/XT15)



### **⚠ AVERTISSEMENT**

**POUR ÉVITER LES RISQUES DE BLESSURES GRAVES OU DE MORT SUITE À UNE EXPLOSION :**

- Ne percez pas le réservoir à essence.
- Assurez-vous qu'aucun objet ne se trouve derrière l'emplacement de montage avant de percer.

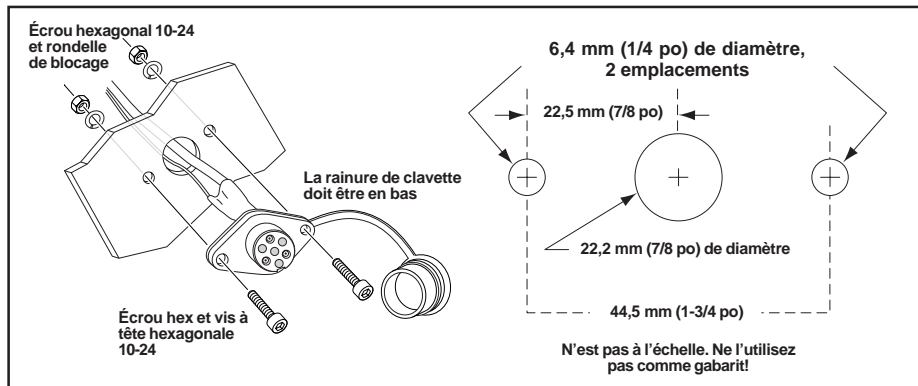


Figure 9 : installation de la prise de télécommande

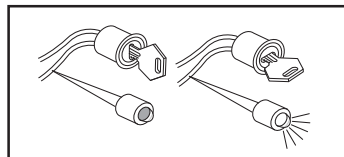


Figure 10 : utilisez une lampe témoin pour trouver le bon fil.

- Après avoir déterminé l'emplacement où sera installée la prise de télécommande, percez trois trous et installez-la. (Voir figure 9.)
- Une fois la prise de télécommande installée, ramenez les deux fils à cosse cylindrique là où sera installé le contacteur. Épissez l'extrémité du fil rouge de calibre 20 avec un circuit accessoire contrôlé par contact du quad (utilisez l'épissure fournie). Repérez, à l'aide d'une lampe témoin, un fil approprié provenant du contacteur à clé du quad. Le fil ne doit être sous tension que lorsque la clé est en position « ON » (marche).

**REMARQUE :** Si vous installez les deux interrupteurs, vous DEVEZ épisser les deux fils rouges de calibre 20 au fil du VTT contrôlé par contact tel que décrit ci-dessus.

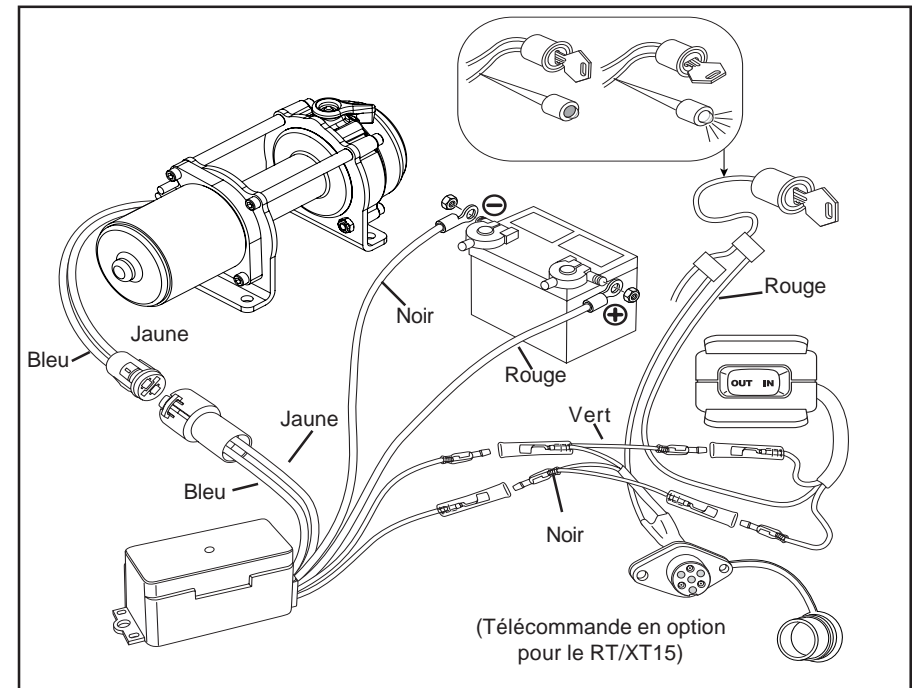


Figure 11 : schéma de câblage

## Sixième Etape - Installation du Câblage

### **⚠ ATTENTION**

Placez les capuchons fournis sur les fils avant de les fixer sur le contacteur. Tous les fils doivent être fixés au contacteur avant d'installer celui-ci sur le VTT.

- Faites passer les fils du treuil le long du cadre en direction de la colonne de direction du véhicule. Le contacteur doit être installé à l'emplacement le plus propre et le plus sec du VTT. Il doit aussi être placé de sorte que les fils se trouvant sur la poignée puissent atteindre le contacteur.
- Fixez le contacteur au moyen d'un boulon ¼ po et d'une attache type colson (zip tie) ou de deux de ces attaches. Le contacteur doit être fixé des deux côtés.
- Si vous installez à la fois l'interrupteur de la poignée et la prise de télécommande, fixez les bornes des fils vert et noir de la prise de télécommande dans le contacteur (vert sur vert, noir sur noir). Fixez ensuite les bornes du fils de l'interrupteur de la poignée dans les connecteurs « Y » du faisceau de fils de la prise de télécommande après avoir retiré au préalable les capuchons antipoussière.

- Si vous installez seulement l'interrupteur de la poignée, fixez les bornes des fils vert et noir de l'interrupteur aux bornes du contacteur.
- Assurez-vous que les fils ne sont pas coincés une fois le siège remis en place.
- Fixez le contacteur à son emplacement prédéterminé sur le VTT. Assurez-vous que les câbles ne passent pas sur des bords tranchants ou des pièces mobiles et ne touchent pas des éléments pouvant devenir chauds.
- Fixez les fils lâches au moyen d'attaches type colson (zip ties) ou d'un ruban isolant avant de procéder au montage final du VTT.

## Septième Etape – Vérification du Système

Avant d'utiliser le treuil, veuillez vérifier les points suivants :

- Le câblage de tous les composants est correct. Tous les fils lâches sont bien attachés.
- Aucun câble ni aucune borne n'est exposé. Couvrez-les sinon à l'aide de capuchons, de gaines thermorétractibles ou de ruban isolant.
- Mettez le contacteur à clé du VTT en position « ON » (marche). Vérifiez que le treuil fonctionne correctement. Le câble d'acier devrait se dérouler et s'enrouler dans le sens indiqué sur l'interrupteur.

### ⚠ ATTENTION

#### FAMILIARISEZ-VOUS AVEC LE TREUIL :

- Prenez le temps de bien vous familiariser avec le treuil et son fonctionnement en examinant le *Manuel de base des techniques de treuillage* inclus avec votre treuil.

#### Service

En cas de problème durant l'installation ou le fonctionnement du treuil, appliquez les consignes suivantes :

1. Consultez le manuel de l'utilisateur et les instructions de montage. Il comporte des illustrations ainsi que des informations détaillées sur l'installation du treuil et la manière de le faire fonctionner correctement et en toute sécurité. Vous y trouverez également une liste des pièces de rechange et des schémas d'assemblage. Si vous ne parvenez pas à résoudre le problème, passez à l'étape 2.
2. Communiquez avec le concessionnaire chez qui vous avez fait l'acquisition du treuil. Si vous n'arrivez toujours pas à résoudre le problème après en avoir discuté avec le service technique, passez à l'étape 3.

3. Appelez un des centres de service autorisés WARN indiqués sur la liste figurant au verso de la garantie qui accompagne le produit. Avant d'appeler, veuillez avoir les informations suivantes à portée de main : numéro de modèle et date d'achat du treuil, marque, modèle et année du véhicule tout-terrain.
4. Si vous ne parvenez pas à résoudre le problème de manière satisfaisante, appelez le service à la clientèle de Warn Industries au 1-800-543-9276. Avant d'appeler, veuillez avoir les informations suivantes à portée de main : numéro de modèle et date d'achat du treuil, marque, modèle et année du véhicule tout-terrain. Vous pouvez également communiquer avec Warn en visitant le site Web [www.warn.com](http://www.warn.com).

## Garantie

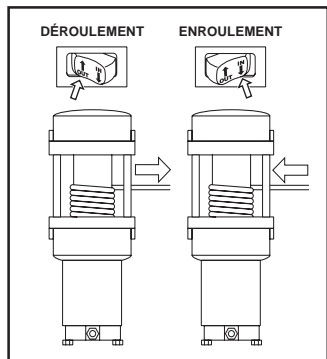
Pour plus de précisions, consultez la feuille de garantie qui accompagne votre treuil.

## Références des Pièces de Rechange

Pour passer une commande : les pièces de rechange sont disponibles auprès du concessionnaire ou distributeur régional.

Numéro de Référence	Description
Réf. 69336	Ens. de câble, (5/32 po x 50 pi)
Réf. 69344	Moteur, RT/XT15, gris
Réf. 69281	Contacteur RT/XT15
Réf. 64849	Télécommande, 3 m (10 pi)
Réf. 62258	Prise de télécommande
Réf. 28929	Kit de guide-câble à rouleaux
Réf. 28930	Kit de guide-câble à haussière
Réf. 39557	Crochet à largage rapide à manille 5/16 avec sangle
Réf. 38293	Sangle de crochet
Réf. 69206	Kit de mini interrupteur 19 po SP

La liste ci-dessus représente les pièces de rechange les plus fréquemment demandées. Une liste complète des pièces de rechange est disponible. Consultez votre concessionnaire agréé WARN ou bien notre site Web : [www.warn.com](http://www.warn.com).





# Advertencias y precauciones



Al leer estas instrucciones, verá ADVERTENCIAS, PRECAUCIONES, AVISOS y NOTAS. Cada mensaje tiene un propósito específico. Las ADVERTENCIAS son mensajes de seguridad que indican que está ante una situación potencialmente peligrosa que, si no se evita, puede acarrear lesiones graves. Las PRECAUCIONES son mensajes de seguridad que indican una situación de posible peligro que, si no se evita, puede resultar en lesiones menores o de poca gravedad. Las PRECAUCIONES pueden también alertar contra prácticas no seguras. Las PRECAUCIONES y ADVERTENCIAS identifican el peligro, indican cómo evitarlo y advierten de las posibles consecuencias si no se evita tal peligro. Los AVISOS son mensajes para evitar daños a la propiedad. Las NOTAS son información adicional que le ayudarán a llevar a cabo un procedimiento. ¡POR FAVOR, TRABAJE SIEMPRE DE FORMA SEGURA!

## ADVERTENCIA



### PELIGRO DE ENREDARSE EN LAS PIEZAS MÓVILES

De no seguirse estas instrucciones, podrían producirse lesiones graves e incluso la muerte.

#### Para evitar daños en las manos:

- Mantenga siempre las manos alejadas del cable, del bucle del gancho, del gancho y de la abertura de la guía durante la instalación, la operación, y en el enrollado y desenrollado.
- Tome siempre medidas extremas de precaución al manejar el gancho y el cable durante las maniobras de enrollado y desenrollado.
- Use siempre la correa suministrada con el gancho cuando vaya a enrollar o desenrollar el cable, durante la instalación y durante la operación.
- Mantenga siempre el vehículo a la vista durante las operaciones del cabrestante.
- Lleve puestos siempre guantes gruesos de cuero para manipular el cable.

## ADVERTENCIA



### PELIGRO DE INCENDIO O DE EXPOSICIÓN A PRODUCTOS QUÍMICOS

De no seguirse estas instrucciones, podrían producirse lesiones graves e incluso la muerte.

- No lleve nunca puestas joyas, y lleve siempre protección ocular.
- No se apoye nunca en la batería si está haciendo conexiones.
- Si se va a perforar, verifique siempre que en el área no haya tuberías o tanques de combustible, tuberías de sistema de frenado, cables eléctricos, etc.
- No pase nunca cables eléctricos:
  - Por bordes que puedan resultar cortantes.
  - A través o en las proximidades de piezas móviles.
  - Cerca de piezas que puedan ponerse calientes.
- Ponga aislamiento y proteja siempre los cables y terminales eléctricos que queden expuestos.
- Instale siempre fundas para los terminales, tal como se indica en las instrucciones de instalación.

## PRECAUCIÓN

### PELIGRO DE ENREDARSE EN LAS PIEZAS MÓVILES

De no seguirse estas instrucciones, podrían producirse lesiones menores o de moderada gravedad.

- Mantenga siempre el cable del control remoto alejado del tambor, el cable y el cordaje. Inspeccione la posible existencia de grietas, pellizcos, cables deshinchados o conexiones sueltas. Reemplace el control remoto si se encuentra defectuoso.
- Cuando use el control remoto dentro de un vehículo pase siempre el control remoto a través de una ventana para evitar que se pellizque su cable con la puerta.
- No deje nunca el control remoto donde pueda activarse durante el enrollado libre, maniobrado, o cuando el cabrestante no esté en uso.

## PRECAUCIÓN

### PELIGRO DE ENREDARSE EN LAS PIEZAS MÓVILES

De no seguirse estas instrucciones, podrían producirse lesiones menores o de moderada gravedad.

#### Seguridad general:

- Tenga siempre presente cómo funciona el cabrestante. Tómese su tiempo para leer toda la guía de instalación y la guía básica de técnicas de uso del cabrestante para poder comprender el funcionamiento y la operación del mismo.
- El cabrestante no deberá ponerse en manos de personas menores de 16 años de edad.
- No ponga nunca en funcionamiento este cabrestante si se encuentra bajo los efectos de drogas, alcohol o medicamentos.
- No exceda nunca la capacidad del cabrestante o del cable que se indica en la hoja técnica del producto. Emplee un cable doble utilizando una polea pasteca para reducir la carga del cabrestante.
- No use nunca el cabrestante o el cable para remolcar.

#### Seguridad en la instalación:

- Elija siempre una ubicación de montaje que sea lo suficientemente sólida para soportar la capacidad de carga máxima del cabrestante.
- Use siempre piezas de montaje, componentes y accesorios aprobados por el fabricante.
- Utilice siempre piezas de montaje de grado 5 o superior.
- No suelde nunca los pernos de montaje.
- Tenga precaución siempre cuando use pernos más largos que los suministrados por el fabricante. Unos pernos de longitud excesiva pueden dañar la base o hacer que el montaje del cabrestante no resulte seguro.
- Monte el cabrestante y acople el gancho al bucle final del cable siempre antes de conectar el cableado eléctrico.
- Ponga siempre la guía del cable con la etiqueta de ADVERTENCIA en su parte superior.
- Enrolle y desenrolle el cable al tambor siempre en la dirección especificada en la etiqueta de advertencia del cabrestante o en la documentación. Esto es necesario para que el freno automático funcione correctamente.
- Realice siempre un estiramiento previo del cable y vuelva a enrollarlo con carga antes de usarlo. Un cable bien enrollado reduce las posibilidades de tener "doblecetes", que pueden dañar el cable.

## PRECAUCIÓN

### PELIGRO DE ENREDARSE EN LAS PIEZAS MÓVILES

De no seguirse estas instrucciones, podrían producirse lesiones menores o de moderada gravedad.

- Inspeccione siempre el cable, el gancho y las eslingas antes de poner el cabrestante en funcionamiento. Los componentes dañados deberán reemplazarse antes de la operación. Evite que las piezas resulten dañadas.
- No deje nunca el control remoto con cable conectado al cabrestante cuando se esté haciendo enrollado libre, maniobras o cuando no se esté usando el cabrestante.
- No enganche nunca el cable sobre sí mismo. Esto lo deterioraría.
- Utilice siempre una cadena o un cable de estrangulación, o un protector de tronco en el anclaje.
- Retire siempre cualquier elemento u obstáculo que pueda provocar inseguridad en la operación del cabrestante.
- Tómese siempre su tiempo para asegurar la carga con técnicas apropiadas antes de arrastrarla con el cabrestante.
- Verifique siempre que el anclaje seleccionado soportará la carga y que la correa o la cadena no se deslizará.
- Nunca embraque ni desembrague si el cabrestante está soportando una carga, si el cable está en tensión o si el tambor está en movimiento.
- No accione nunca el cabrestante si no hay al menos 5 vueltas de cable alrededor del tambor. El cable podría salirse.
- No toque nunca el cable ni el gancho mientras éstos se encuentren en tensión o con carga.
- No toque nunca el cable ni el gancho si hay alguien cerca del interruptor de control, o si el cabrestante está en funcionamiento.
- Manténgase siempre alejado del cable y de la carga, y no deje que otros se acerquen cuando el cabrestante esté en funcionamiento.
- Tenga siempre presente la estabilidad del vehículo y de la carga durante el uso del cabrestante. Alerta a todas las personas presentes de cualquier posible inestabilidad.
- Nunca utilice el cabrestante para amarrar una carga.



## PRECAUCIÓN



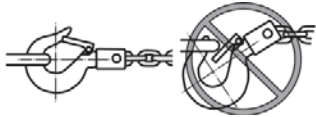
### PELIGRO DE CORTES Y QUEMADURAS

De no seguirse estas instrucciones, podrían producirse lesiones menores o de moderada gravedad.

Para evitar daños en las manos:

- Lleve puestos siempre guantes gruesos de cuero para manipular el cable.
- Nunca deje que el cable se deslice por sus manos.
- Tenga siempre en cuenta que las superficies del motor, del tambor o del cable del cabrestante pueden estar calientes durante o después del uso del mismo.

## PRECAUCIÓN



### PELIGRO DE ENREDARSE EN LAS PIEZAS MÓVILES

De no seguirse estas instrucciones podrían producirse lesiones menores o de poca gravedad.

- Utilice siempre un gancho con seguro.
- Verifique siempre que el seguro del gancho esté cerrado y que no soporte la carga.
- No aplique nunca una carga a la punta del gancho o al seguro. Aplique la carga únicamente al centro del gancho.
- No use nunca un gancho cuya abertura haya aumentado o cuya punta esté doblada o retorcida.

## ADVERTENCIA



### PELIGRO DE CAÍDA O APLASTAMIENTO

De no seguirse estas instrucciones, podrían producirse lesiones graves e incluso la muerte.

- No utilice nunca el cabrestante para levantar o desplazar personas.
- No use nunca el cabrestante como grúa o para suspender una carga.

## AVISO

### EVITE DAÑOS AL EQUIPO Y AL CABRESTANTE

- Evite siempre los arrastres laterales, ya que pueden apilar el cable en un extremo del tambor. Esto puede dañar el cable o el cabrestante.
- Compruebe siempre que se ha embragado o desembragado completamente.
- No utilice nunca el cabrestante para remolcar otros vehículos u objetos. Las cargas repentinas pueden exceder momentáneamente la capacidad del cable y del cabrestante.
- Evite siempre desenrollar el cable a distancias muy largas. Esto originará un exceso de calor y desgaste en el motor y el freno del cabrestante.
- Sea precavido siempre para no dañar la estructura cuando vaya a anclar su vehículo en una operación con el cabrestante.
- No desplace nunca el cable en pequeñas sacudidas cuando esté con carga. Las cargas repentinas pueden exceder momentáneamente la capacidad del cable y del cabrestante.
- Nunca utilice el cabrestante para amarrar una carga durante su transporte.
- No sumerja nunca el cabrestante en agua.
- Guarde siempre el control remoto en un área protegida, limpia y seca.
- Emplee siempre un cable doble o elija un punto de anclaje distante cuando vaya a utilizar un cordaje. Esto maximiza la potencia de tiro y evita la sobrecarga del cabrestante.



Figura 1: Kit del cabrestante WARN RT/XT15

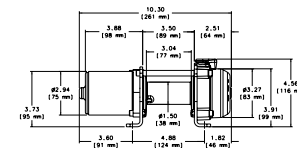


Figura 2: Dimensiones del cabrestante:  
10,3 pulg. L. x 4,0 pulg. A. x 4,56 pulg. H.  
26 cm L. x 10 cm A. x 11 cm H.

## Especificaciones

- N° de referencia:** PN 78000 (RT15); 78500 (XT15)
- Tiro nominal del cable:** 1500 libras (680 kg) cable único
- Motor:** Imán permanente 12 V CC, 0,4 CV (0,3kW)
- Control:** Mini-interruptor oscilante montado en el manillar
- Tren de engranajes:** Planetario de 3 fases
- Relación de transmisión:** 103:1
- Embrague (enrollado manual):** Activado por leva
- Freno:** Freno mecánico
- Diámetro y longitud del tambor:** 3,8cm/7,6cm (38mm/76mm)
- Peso:** 11,5 libras (5.2 kg)
- Cable:** 50 pies, 5/32 de pulgada de diámetro (15 m, 4 mm de diámetro)
- Guía:** Escobén
- Batería recomendada:** 12 Amp/hora mínimo para accionar el cabrestante
- Cables de la batería:** Calibre 10
- Ciclo de trabajo:** Intermitente
- Acabado:** Gris

## Datos de rendimiento

Tiro del cable libras (kg)	Velocidad del cable pies/min (m/min)	Corriente del motor Amperios
0	15 (4.6)	6
500 (227)	11 (3.3)	27
1000 (455)	7 (2.1)	44
1500 (680)	5 (1.5)	65

Las especificaciones por encima del rendimiento se basan en la primera capa del tambor

Capacidad de tracción libras (kg)	Capa del cable La 1ª es la más próxima al tambor
1500 (680)	1ª
1320 (599)	2ª
1162 (527)	3ª
1020 (463)	4ª

## ⚠ Precaución

Para evitar la activación accidental del cabrestante y lesiones de gravedad, realice la instalación del cabrestante y acople el gancho antes de instalar el cable.

## Paso Uno: ¡la Seguridad es lo Más Importante!

Cuando instale su sistema de cabrestante para vehículo todoterreno, lea y siga todas las instrucciones de montaje y de seguridad. Sea precavido siempre que vaya a trabajar con electricidad y no olvide verificar que no haya conexiones eléctricas desnudas antes de activar el circuito de su cabrestante.

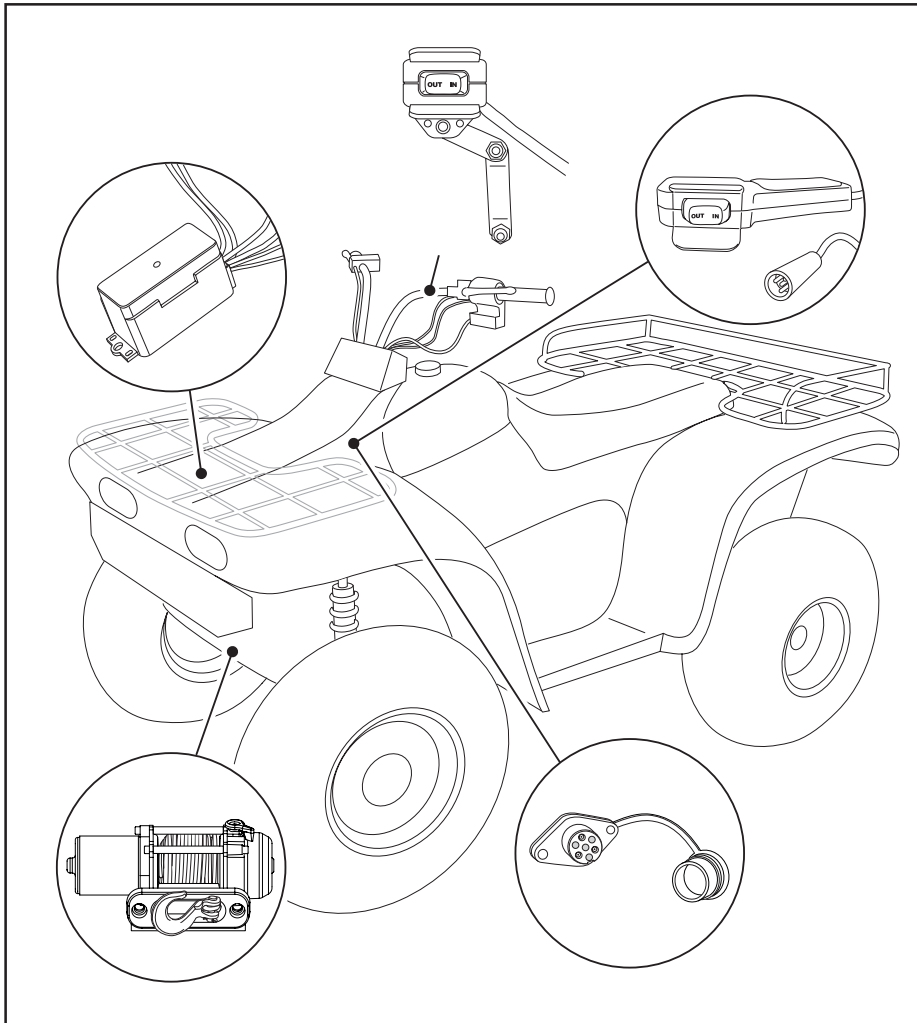


Figura 3: Para instalar el kit completo, necesitará montar el cabrestante, el mini-interruptor oscilante montado en el manillar del contactor y el tomacorriente remoto (opcional en el cabrestante RT/XT15). Las ubicaciones de montaje pueden variar dependiendo de la marca y el modelo del vehículo todoterreno. Lea y comprenda las instrucciones siguientes para elegir las ubicaciones apropiadas.

Se recomiendan placas de montaje WARN.

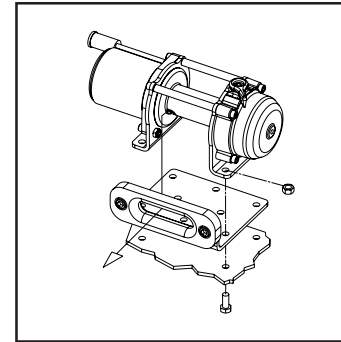


Figura 4: Orientación del cabrestante a la placa de montaje.

## Paso Dos: Montaje del Cabrestante

Los kits de montaje para cabrestantes de vehículos todoterreno están disponibles en su distribuidor de Warn para satisfacer la mayoría de las aplicaciones de este tipo de vehículos. Si desea más información sobre los kits disponibles, comuníquese con su distribuidor de productos WARN.

Para asegurar el cabrestante utilice siempre:

- Un lugar plano y seguro para el montaje de por lo menos 3/16 de pulgada (4,8 mm) de grosor.
- 5/16 - 18 Tuerca Nylock
- Se deben usar los tornillos de cabeza hexagonal de grado 5 de 5/16-18 x 1 pulgadas suministrados. Use un tornillo de casquete de 5/16-18 x 3/4 pulg si la montura cuenta con soporte para guía.
- Pernos para el montaje de torsión a 12 pies-libras (1,7 kg-m).

Acople ahora el gancho de abrazadera al cable.

- Ponga el embrague en la posición de enrollado manual.
- Pase manualmente el bucle del cable a través de la guía.
- Acople el gancho al bucle del cable y vuelva a activar el embrague.

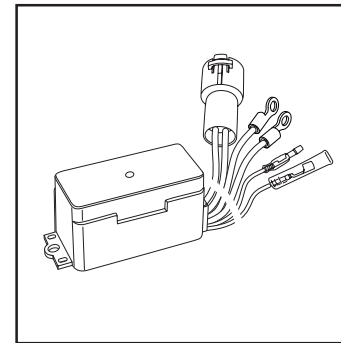


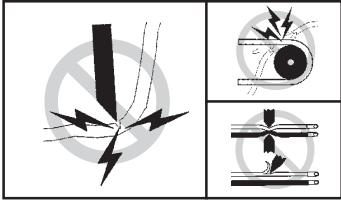
Figura 5: Contactor para el cabrestante de vehículos todoterreno de WARN.

## Paso Tres: Ubicación del Contactor

- El contactor es el dispositivo de seguridad primario en el sistema del cabrestante. Desconecta el cabrestante de su fuente de alimentación cuando el vehículo todoterreno no está en uso. El contactor deberá estar instalado correctamente para poder funcionar apropiadamente.
- Se recomienda que el contactor esté montado en las proximidades de la batería y en una ubicación lo más limpia y seca posible. La ubicación exacta variará dependiendo del tipo de todoterreno.

## Paso Cuatro: Montaje del interruptor del manillar

### ⚠ ADVERTENCIA



PARA PREVENIR LESIONES GRAVES O ACCIDENTES MORTALES DEBIDOS A INCENDIOS DE ORIGEN ELÉCTRICO:

- NO pase los cables eléctricos por bordes agudos.
- NO pase los cables eléctricos por partes móviles o cerca de ellas.
- NO pase los cables eléctricos por partes que se calientan o cerca de ellas.
- Evite los puntos de contracción y desgaste o abrasión cuando instale todos los cables eléctricos.

PARA EVITAR LESIONES PERSONALES Y DAÑOS MATERIALES:

- Sea precavido al mover o reposicionar cualquier control del vehículo para no dificultar el funcionamiento seguro del todoterreno. Seleccione una posición de montaje que proporcione espacio libre para todos los controles del vehículo.
- Antes de envolver el cable del interruptor, asegúrese de que el manillar tiene plena

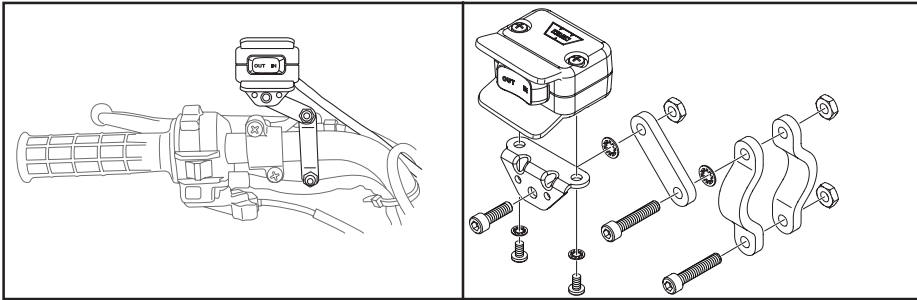


Figura 6: Montaje del manillar. La posición exacta puede variar dependiendo de la marca y el modelo del vehículo todoterreno.

Figura 7: Ensamblaje del mini-interruptor oscilante.

libertad de movimiento.

- Se recomienda instalar el interruptor en la parte izquierda del manillar. Un pedazo de cinta aislante alrededor del manillar ayudará a prevenir la rotación de la montura en el mismo.
- No lo apriete sobre tubos flexibles o cables.
- Una vez montado el interruptor del manillar, pase los dos cables terminales de cabeza redonda de vuelta a donde se va a montar el contactor. Empalme el extremo del cable rojo de calibre 20 a un cable eléctrico controlado por llave del vehículo todoterreno. Utilizando una luz de prueba, localice un cable apropiado del interruptor de llave del todoterreno. El cable deberá tener corriente únicamente cuando la llave esté en la posición de encendido.

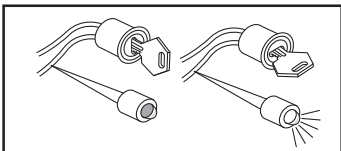


Figura 8: Utilice una luz de prueba para localizar un cable apropiado.

## Paso Cinco: Instalación del Tomacorriente Remoto (opcional para el RT/XT15)

### ⚠ ADVERTENCIA

PARA PREVENIR LESIONES GRAVES O ACCIDENTES MORTALES POR EXPLOSIÓN:

- No perforo el tanque de la gasolina.
- Compruebe que quede libre el área posterior a la ubicación de montaje antes de perforar.

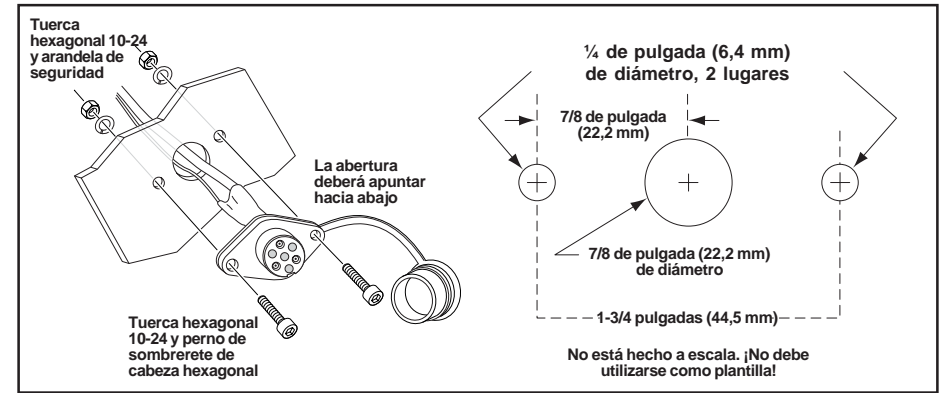


Figura 9: Instalación del tomacorriente remoto.

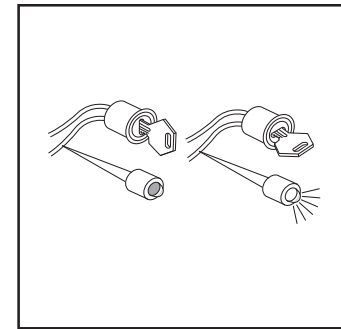


Figura 10: Utilice una luz de prueba para localizar el cable apropiado.

- Una vez determinada la ubicación de montaje para el tomacorriente remoto, haga tres taladros y proceda a instalarlo. (Consulte la figura 9.)
- Una vez montado el tomacorriente remoto, pase los dos cables terminales de cabeza redonda de vuelta a donde se va a montar el contactor. Empalme el extremo del cable rojo de calibre 20 a un circuito accesorio controlado por llave del vehículo ATV, utilizando el empalme de cable proporcionado. Utilizando una luz de prueba, localice un cable apropiado del interruptor de llave del todoterreno. El cable deberá tener corriente únicamente cuando la llave esté en la posición de encendido.

**NOTA: Si se van a instalar los dos interruptores, ambos cables rojos de calibre 20 DEBERÁN ser empalmados a un cable controlado por llave del todoterreno, tal y como se describió anteriormente.**

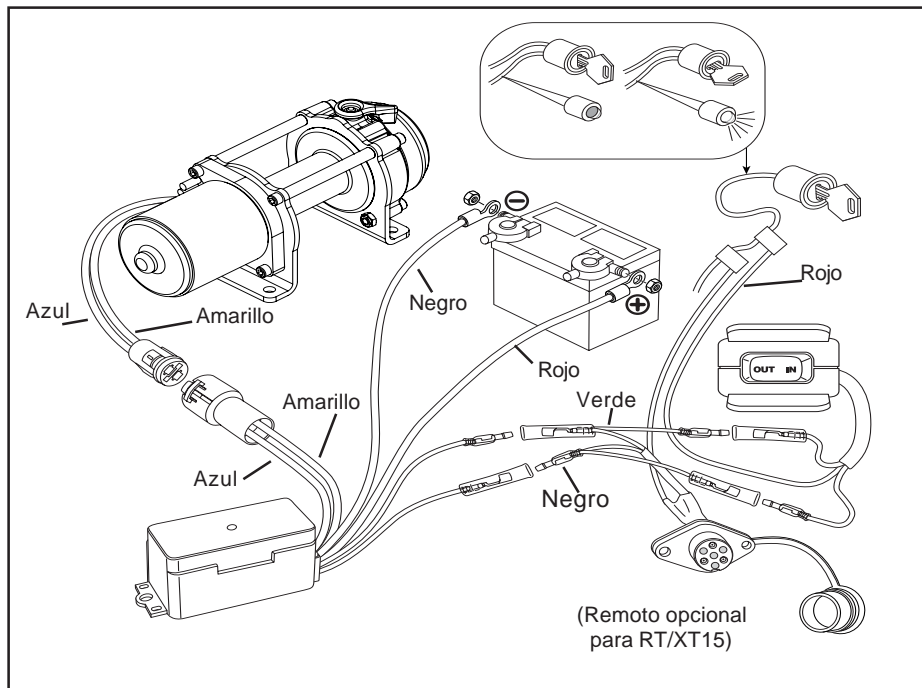


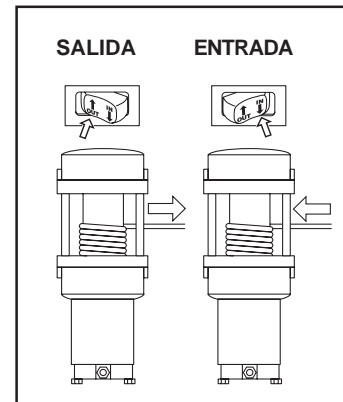
Figura 11: Diagrama de instalación del cableado.

## Paso Seis: Instalación del Cableado

### ⚠ PRECAUCIÓN

Coloque en los cables las fundas para terminales suministradas antes de fijar el contactor. Todos los cables deberán estar acoplados al contactor antes de montarlo en el vehículo todoterreno.

- Disponga los cables desde el cabrestante y a lo largo de la estructura hacia el tubo de la dirección del vehículo. El contactor deberá instalarse en el lugar más limpio y seco del ATV. El contactor también tendrá que estar situado de forma que los cables del interruptor del manillar puedan llegar al contactor.
- Asegure el contactor con un perno de ¼ de pulgada (6,3 mm) y una atadura de cremallera, o con dos ataduras de cremallera. El contactor deberá quedar asegurado a ambos lados.
- Si va a instalar el manillar y el tomacorriente remoto, primero, acople los terminales de los cables verde y negro del tomacorriente al contactor (verde a verde y negro a negro). A continuación, acople los terminales de los cables del interruptor del manillar a los conectores en forma de "Y" del arnés de cables del tomacorriente remoto después de haber quitado las tapas antipolvo.



- Si únicamente va a instalar el interruptor del manillar, acople los terminales de los cables verde y negro del interruptor del manillar directamente a los terminales del contactor.
- Verifique que el cableado no quede aplastado cuando se vuelva a instalar el asiento.
- Acople el contactor en la posición predeterminada del vehículo todoterreno. Verifique que los cables no pasan por bordes agudos, partes móviles o que tocan artículos que puedan calentarse.
- Fije cualquier parte del cableado que quede floja con ataduras de cremallera o con cinta aislante antes de proceder al montaje final del todoterreno.

## Paso Siete: Comprobación del Sistema

Antes de utilizar el cabrestante, compruebe lo siguiente:

- Que el cableado de todos los componentes sea correcto. Que todos los cables sueltos estén enrollados y fijos.
- Que no haya cableado o terminales expuestos. Cubra cualquier terminal expuesto con fundas para terminales, tubos termocontraíbles o cinta aislante.
- Gire el interruptor de llave del todoterreno a la posición de encendido (ON). Compruebe el correcto funcionamiento del cabrestante. El cable deberá enrollarse hacia dentro y hacia fuera en la dirección indicada en el interruptor.

### ⚠ PRECAUCIÓN

FAMILIARÍCESE CON EL CABRESTANTE:

- Tómese su tiempo para comprender completamente el cabrestante y su funcionamiento revisando la *Guía básica de técnicas de uso del cabrestante* que viene con el mismo.

## Servicio

En el caso de que surgiera algún problema durante la instalación u operación del cabrestante, siga los siguientes pasos para poder solucionar el problema:

1. Consulte la guía y las instrucciones de instalación del usuario. Viene con ilustraciones e información detalladas sobre la instalación y el funcionamiento apropiado y seguro del cabrestante. También incluye una lista de piezas de repuesto y diagramas de ensamblaje. Si todavía no ha podido resolver el problema, vaya al paso 2.
2. Comuníquese con el distribuidor donde adquirió el cabrestante. Si después de haber expuesto el problema al personal de servicio todavía no puede resolverse el problema, vaya al paso 3.



3. Llame a un centro de servicio autorizado de WARN cuyo teléfono encontrará en la lista provista en la parte posterior de la hoja de garantía que viene con el producto. Cuando llame, tenga la siguiente información a mano: número de modelo del cabrestante y fecha de compra, marca, modelo y año de su vehículo todoterreno.
4. Si no es capaz de resolver el problema a su entera satisfacción, llame al Servicio de atención al cliente de Warn Industries al: 1-800-543-9276. Cuando llame, tenga la siguiente información a mano: número de modelo del cabrestante y fecha de compra, marca, modelo y año de su vehículo todoterreno. También puede contactar con Warn Industries visitando nuestra página Web: [www.warn.com](http://www.warn.com).

## Garantía

Para más información, consulte la hoja de garantía que viene con el cabrestante.

## Números de las Piezas de Repuesto

Información de pedidos: Puede obtener piezas de repuesto por medio de su distribuidor local.

N° de Referencia	Descripción
PN 69336	Conjunto de cable metálico, 5/32 pulg. x 50 pies
PN 69344	Motor, RT/XT15, gris
PN 69281	Contactador, RT/XT15
PN 64849	Control remoto, 10 pies
PN 62258	Tomacorriente de control remoto
PN 28929	Kit de guía rodillo
PN 28930	Kit de guía de escobén
PN 39557	Gancho, 5/16 deslizador con clavija (con correa)
PN 38293	Correa, gancho
PN 69206	Kit de mini interruptor 19 pulg SP

La lista anterior indica las piezas de repuesto más solicitadas. Hay disponible una lista completa de piezas de repuesto. Consulte con el distribuidor de WARN o vaya a la página Web: [www.warn.com](http://www.warn.com).

## Fara och varning



Vid genomläsning av dessa anvisningar kommer du att se orden FARA, VARNING, OBSERVERA och ANMÄRKNING. Varje meddelande har sitt eget syfte. FARA är ett säkerhetsmeddelande som identifierar en situation som kan vara farlig och som, om du inte undviker den, kan leda till allvarliga skador. VARNING är ett säkerhetsmeddelande, som antyder att situationen kan vara farlig och om du inte undviker den kan det leda till lindriga eller ganska lindriga skador. En VARNING kan också användas för att göra dig uppmärksam på en farlig arbetsmetod. VARNING och FARA identifierar faran, anger hur faran kan undvikas och varnar för vad som kan hända, om du inte undviker faran. OBSERVERA varnar för materiella skador. ANMÄRKNING innehåller ytterligare information till hjälp för att genomföra proceduren. **ANVÄND STÖRSTA FÖRSIKTIGHET UNDER ARBETET!**

**FARA**

**RISK FÖR ATT FASTNA I RÖRLIGA DELAR**

Om instruktionerna inte följs finns risk för allvarlig skada eller dödsfall.

**Undvik skador på händer och fingrar:**

- Håll alltid händerna borta från vajer, ögla och krok samt vid in- och utspolning.
- Var alltid särskilt försiktig vid hantering av krok och vajer under spolningsarbetet.
- Använd alltid bifogad stropp när du spolar vajer in eller ut, under installation och under drift.
- Håll alltid ett öga på fordonet när du använder vinschen.
- Ha alltid på dig kraftiga läderhandskar när du hanterar vajern.

**FARA**

**RISK FÖR BRAND OCH KEMISKA SKADOR**

Om instruktionerna inte följs finns risk för allvarlig skada eller dödsfall.

- Ta alltid av smycken och använd alltid skyddsglasögon
- Luta dig aldrig över batteriet då inkoppling sker.
- Kontrollera alltid att bränsleslangar, bränsletank, bromsledningar, elledningar etc inte berörs av bormningsarbete.
- Drag aldrig elektriska ledningar:
  - Över vassa kanter.
  - Genom eller i närheten av rörliga delar.
  - I närheten av delar som blir varma.
- Isolera och skydda alltid alla lösa ledningar och elterminaler.
- Använd alltid kabelskor såsom anges i installationsföreskrifterna.

**VARNING**

**RISK FÖR ATT FASTNA I RÖRLIGA DELAR**

Om instruktionerna inte följs finns risk för mer eller mindre allvarliga skador.

- Se alltid till att den anslutna fjärrkontrollens sladd går fritt från trumma, vajer och riggning. Kontrollera att det inte finns några sprickor, något sitter fastklämt, trasiga vajerdelar eller lösa inkopplingar. Byt ut fjärrkontrollen om den är skadad.
- Låt alltid fjärrkontrollens sladd ledas genom ett fönster, så sladden inte kommer i kläm i dörren då den används inifrån ett fordon.
- Lämna aldrig fjärrkontrollen där den kan aktiveras under frispolande, riggning eller när vinschen inte används.





## VARNING

### RISK FÖR ATT FASTNA I RÖRLIGA DELAR

Om instruktionerna inte följs finns risk för mer eller mindre allvarliga skador.

#### Allmänna säkerhetsföreskrifter:

- Lär alltid känna din vinsch. Tag dig tid att ordentligt läsa igenom bruksanvisningen och den grundläggande vinschtekniskguiden så att du förstår hur din vinsch fungerar.
- Använd aldrig denna vinsch om du är under 16 år.
- Använd aldrig denna vinsch om du är påverkad av droger, alkohol eller mediciner.
- Överskrid aldrig den vinsch- eller vajerkapacitet som är angiven på produktens datablad. För att minska belastningen på vinschen dubbleras vajern med hjälp av ett brytblock.
- Använd aldrig vinschen eller vajern för bogsering.
- Säkerhetsföreskrifter för installation:
- Använd alltid en monteringsplats som är tillräckligt stark för att motstå vinschens maximala dragkraft.
- Använd alltid monteringsbeslag, komponenter och tillbehör som godkänts av fabriken.
- Använd alltid monteringsbeslag av klass 5 eller högre.
- Svetsa aldrig monteringsbultar.
- Var alltid försiktig när du använder längre bultar än de som levereras från fabriken. Bultar som är alltför långa kan skada basen och/eller hindra vinschen från att monteras säkert.
- Montera alltid vinschen och fäst kroken i vajerns ändögla innan du ansluter de elektriska ledningarna.
- Placera alltid linledaren med varningsskylten på ovansidan.
- Spola alltid på vajern på trumman i den riktning som specificeras på vinschens varningsetikett på vinschen och/eller i dokumentationen. Detta krävs för att den automatiska bromsen ska fungera riktigt.
- Innan den används skall vajern alltid först dras ut och åter spolas upp med belastning. Vajer som är stramt lindad minskar chansen av "inlindning" som kan skada vajern.



## VARNING

### RISK FÖR ATT FASTNA I RÖRLIGA DELAR

Om instruktionerna inte följs finns risk för mer eller mindre allvarliga skador.

- Titta alltid på vajer, krok och remmar innan du använder vinschen. Skadade komponenter måste bytas ut innan vinschen används. Skydda delar från skada.
- Lämna aldrig en sladdansluten fjärrkontroll kopplad till vinschen under frispolande, riggning eller när vinschen inte används.
- Kroka aldrig tillbaka vajern runt sig själv. Detta skadar vajern.
- Använd alltid löpkedja, löpvajer eller trädstamsskydd på förankringsstället.
- Avlägsna alltid ett element eller hinder som kan hindra att vinschen körs säkert.
- Ta dig alltid tid att använda rätt riggningsteknik för dragning med vinschen.
- Se alltid till att den utvalda förankringen klarar belastningen och att stropen eller kedjan inte kan glida.
- Koppla aldrig i eller ur kopplingen om vinschen är belastad, vajern är spänd eller vajertrumman rör sig.
- Vinscha aldrig med färre än 5 varv vajer runt trumman. Vajern kan komma loss från trumman.
- Rör aldrig vajer eller krok som är spänd eller belastad.
- Rör aldrig vajer eller krok då någon annan sköter manövern eller då vinschen används.
- Stå alltid en bit ifrån vajer och last och håll andra borta under vinschningen.
- Var alltid medveten om hur stabilt fordonet och lasten är under vinschning. Varna alla som står bredvid för eventuellt instabilt tillstånd.
- Använd aldrig vinschen till att säkra en last.



## VARNING



### RISK FÖR SÅR OCH BRÄNNSKADOR

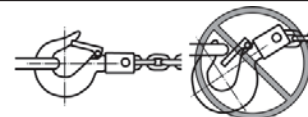
Om instruktionerna inte följs finns risk för mer eller mindre allvarliga skador.

#### Undvik skador på händer och fingrar:

- Ha alltid på dig kraftiga läderhandskar när du hanterar en vajer.
- Låt aldrig vajern glida genom händerna.
- Var alltid medveten om att ytan på vinschmotorn, trumman eller vajern kan vara varm under eller efter användning.



## VARNING



### RISK FÖR ATT FASTNA I RÖRLIGA DELAR

Om instruktionerna inte följs finns risk för mer eller mindre allvarliga skador.

- Använd alltid en krok med en spärr
- Säkerställ alltid att krokens spärr är stängd och inte stöder en last.
- Belasta aldrig krokens spets eller spärr. Belasta bara krokens centrum.
- Använd aldrig en krok vars öppning har blivit större eller vars spets är böjd eller vriden.



## FARA



### RISK FÖR FALL ELLER ATT BLI TRÄFFAD

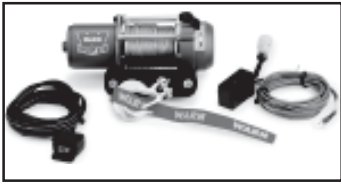
Om instruktionerna inte följs finns risk för allvarlig skada eller dödsfall.

- Använd aldrig vinschen för att lyfta eller flytta på människor.
- Använd aldrig vinschen som lyftkran eller för att hänga last.

## OBSERVERA

### UNDTVIK SKADOR PÅ VINSCH OCH UTRUSTNING

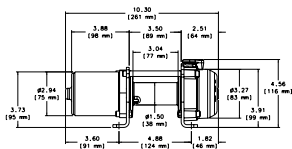
- Undvik alltid att dra i sidled eftersom vajern då kan samlas bara på trummans ena sida. Detta kan skada vajern eller vinschen.
- Se alltid till att kopplingen är helt i- eller urkopplad.
- Använd aldrig vinschen för bogsering av andra fordon eller föremål. Chockbelastningar kan tillfälligt överskrida vajerns och vinschens kapacitet.
- Undvik alltid att "vinscha ut" vajer för längre avstånd. Detta orsakar alltför mycket värme och slitage på vinschens motor och broms.
- Se alltid till att fordonsramen inte skadas då fordonet förankras under vinschning.
- Arbeta aldrig ryckvis med vajern under belastning. Chockbelastningar kan tillfälligt överskrida vajerns och vinschens kapacitet.
- Använd aldrig vinschen till att surra fast laster under transport.
- Sänk aldrig ner vinschen i vatten.
- Förvara alltid fjärrkontrollen på en skyddad, ren och torr plats.
- Dubblera alltid vajern eller välj en avlägsen förankringspunkt vid riggning. Detta maximerar dragkraften och undviker överbelastning av vinschen.



Figur 1: WARNs RT/XT15 vinschsats

## Specifikationer

- Artikelnummer:** PN 78000 (RT15); 78500 (XT15)  
**Klassad dragkraft, lina:** 680 kg enkel vajer  
**Motor:** 12VDC, ,3kW permanent magnet  
**Kontroll:** Handburen fjärrkontroll med 3 m sladd  
**Växellåda:** Utväxling 3-steps planetarisk  
**Utväxling:** 103:1  
**Koppling (frispolande):** Kamaktiverad  
**Broms:** Mekanisk broms standard  
**Trumma diameter/längd:** 38 mm/ 76mm (3,8cm/ 7,6cm)  
**Vikt:** 5,2 kg  
**Vajer:** 15m, 4mm diameter  
**Linledare:** Gjuten profil  
**Rekommenderat batteri:** Minimum 12 Ah för vinschning  
**Batterikablar:** 10 gauge  
**Driftscykel:** Intermittent  
**Ytfinish:** Grå



Figur 2: Vinschdimensioner:  
26 cm x 10 cm x 11 cm  
(L x D x H)

## Prestanda

Dragning, lina kg	Linhastighet m/min	Motorström- styrka Amp
0	4,6	6
227	3,3	27
455	2,1	44
680	1,5	65

Ovanstående prestandauppgifter avser trummans första lager

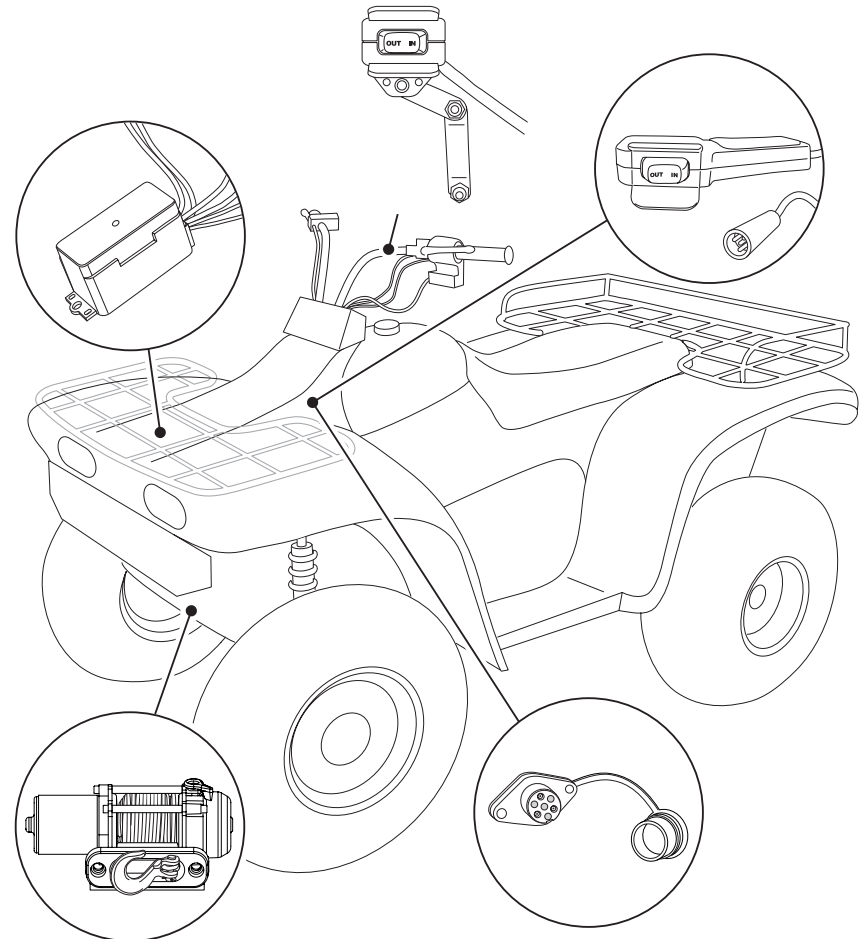
Dragkraft kg	Vajerlager 1:a är närmast trumman
680	1:a
599	2:a
527	3:e
463	4:e

## ⚠ VARNING

Undvik att aktivera vinschen av misstag och orsaka allvarlig skada genom att genomföra installationen av vinschen och fästa kroken innan du ansluter ledningarna.

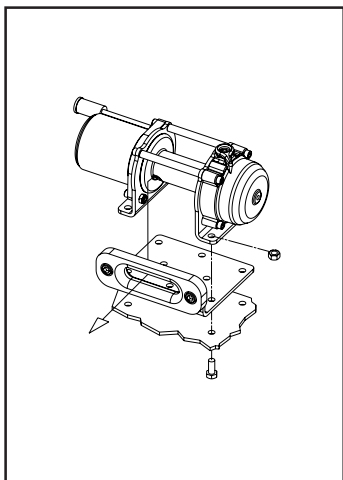
## Steg 1. Säkerheten framför allt!

Innan ATVns vinschsystem installeras skall alla monterings- och säkerhetsföreskrifter läsas igenom och följas. Var alltid försiktig med elarbeten och kom ihåg att kontrollera att inga exponerade elanslutningar förekommer, innan vinschens ström kopplas på.

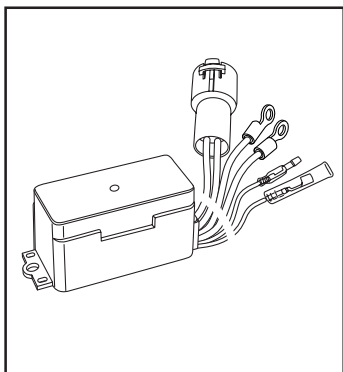


Figur 3: För att kunna installera hela satsen behöver du montera vinsch, kontaktor, handtagsmonterad minikontakt och fjärrkontroll (tillval för RT/XT15-vinschen). Monteringsställe beror på ATVns märke och modell. Välj lämpligt monteringsställe när du läst igenom och följt instruktionerna.

Vi rekommenderar WARNs fästplattor.



Figur 4: Vinschens orientering på monteringsplattan



Figur 5: Kontaktor för WARNs ATV-vinsch

## Steg 2. Vinschmontering

Monteringssetet för vinschar, som klarar nästan alla tillämpningar, finns tillgängliga hos närmaste återförsäljare av Warnprodukter. Kontakta Warns återförsäljare för information om tillgängliga produkter.

För infästning av vinschen används alltid:

- En plan, stadig monteringsplats av minst 4,8 mm tjock plåt.
- 5/16 - 18 Nyloc-muttrar
- Måste använda de 5/16-18 x 1" sexkantsskruvar, grad 5, som ingår. Använd 5/16 - 18 x 3/4 om linledaren är integrerad i montage.
- Dra monteringsbultarna till 16,2 Nm vridmoment.

Vid detta tillfälle fästes kroken på vajern i sitt schackel.

- Sätt kopplingen i friläge.
- Mata in kabelöglan för hand genom linledaren.
- Fäst kroken på kabelöglan och lägg i växeln igen.

## Steg 3. Placering av kontaktorn

- Kontaktorn är vinschsystemets viktigaste säkerhetsanordning. Den kopplar från strömmen till vinschen då ATV:n inte används. Kontaktorn måste installeras på rätt sätt för att fungera.
- Det rekommenderas att kontaktorn monteras nära batteriet och på en så ren och torr plats som möjligt. Exakt plats varierar beroende på ATV-modell.

## Steg 4. Montera handtagsbrytaren

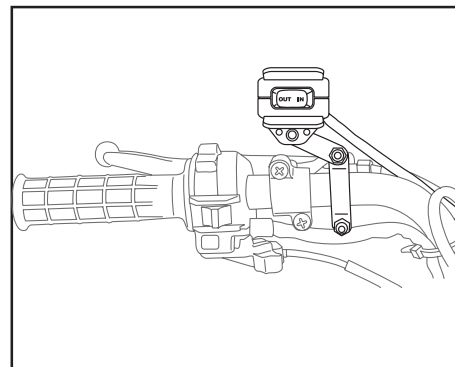
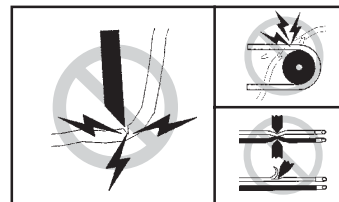
**⚠ FARA**

**HUR MAN UNDVIKER LIVSFARLIGA SKADOR FRÅN ELBRÄNDER:**

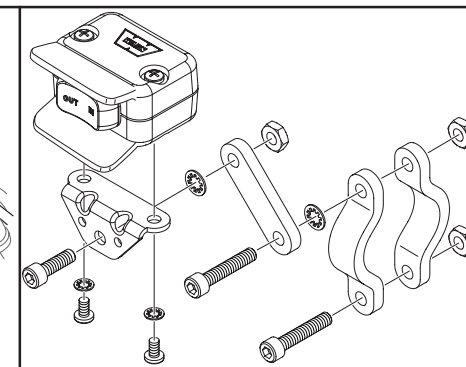
- Drag **INTE** elkablar över vassa kanter.
- Drag **INTE** elkablar genom eller i närheten av rörliga delar.
- Drag **INTE** elkablar genom eller i närheten av mycket varma delar.
- Undvik ställen som klämmer eller sliter på elkablar då de installeras.

**HUR MAN UNDVIKER KROPPSSKADOR OCH MATERIELLA SKADOR:**

- Använd största försiktighet då fordonskontrollerna flyttas eller ändras, så inte säkerheten vid ATVns användning riskeras. Välj ett monteringsställe, som kommer att ge fritt utrymme för alla fordonskontroller.
- Innan kontaktens ledningar fästs med band, skall man se till att handtagets rörelseförmåga inte inskränks.
- Det rekommenderas att kontakten installeras på



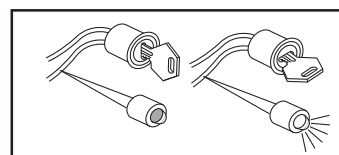
Figur 6: Handtagsmontering. Exakt läge kan variera beroende på ATVns märke och modell.



Figur 7: Minikontakt

vänster handtag. En liten bit eltejp omkring handtaget förhindrar att monteringen vrider sig runt handtaget.

- Spänn inte ledningar över slangar och kablar.
- När handtagskontakten är monterad, dras de två terminalledningarna till den plats där kontaktorn kommer att monteras. Koppla ihop den röda 20ga-ledningens ände med en av ATVns elledningar, som kontrolleras med nyckel. Använd en testlampa för att lokalisera en lämplig ledning från ATVns nyckellås. Ledningen skall bara vara strömförande då nyckeln är i "ON"-läge.



Figur 8: Använd en testlampa för att lokalisera en lämplig ledning.

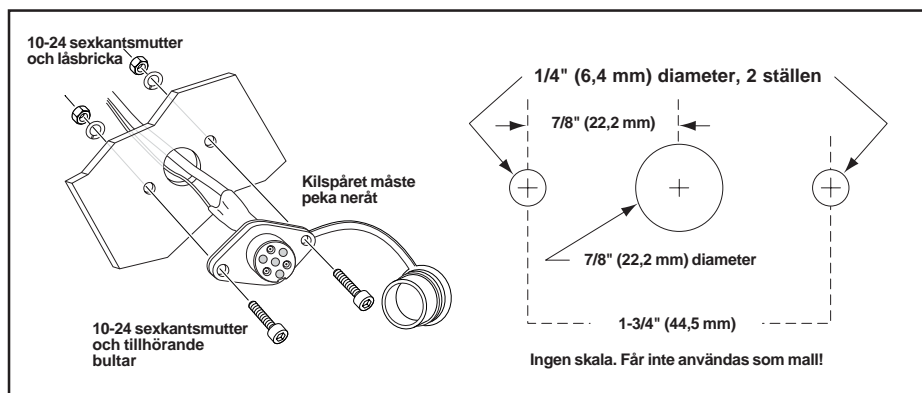
## Steg 5. Installation av fjärrkontroll (tillval för RT/XT15)

### ⚠ FARA

HUR MAN UNDVIKER LIVSFARLIGA SKADOR FRÅN EXPLOSIONER:

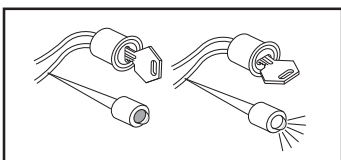


- Borra inte i bensintanken.
- Kontrollera att det är fritt bakom monteringsstället innan borrhningen påbörjas.



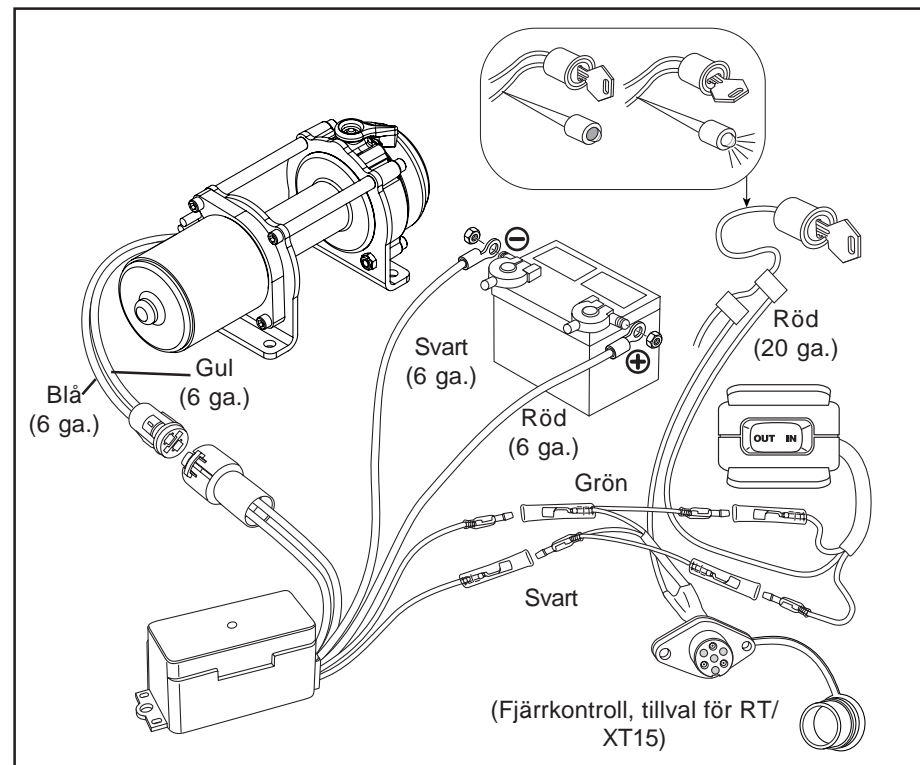
Figur 9: Installation av fjärrkontrollsockel

- Bestäm först monteringsställe för fjärrkontrollen, och borra sedan tre hål och installera den (se figur 9).
- När fjärrkontrollen är monterad, dras de två terminalledningarna tillbaka till den plats där kontaktern skall monteras. Koppla ihop den röda ledningens ände (grovlek 20 ga) med en av ATV:ns tillbehörskretsar, som kontrolleras med nyckel med hjälp av bifogade hopkopplingshylsa. Använd en testlampa för att lokalisera en lämplig ledning från ATV:ns nyckellås. Ledningen skall bara vara strömförande då nyckeln är i "ON"-läge.



Figur 10: Använd testlampa för att lokalisera lämplig ledning

**OBS! Om båda kontakterna installeras, MÅSTE båda röda 20ga-ledningarna kopplas ihop med den av nyckeln kontrollerade ledningen hos ATV:n, som beskrivs ovan.**



Figur 11: Ledningsdragning

## Steg 6. Ledningsdragning

### ⚠ VARNING

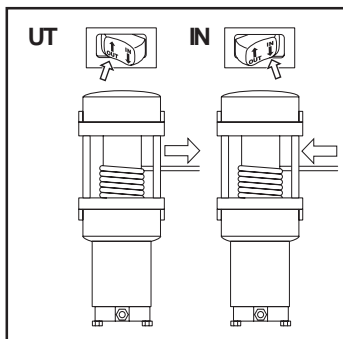
- Drag ledningarna från vinschen utmed ramen mot fordonets styrstäng. Kontaktern måste installeras på det renaste och torraste stället i fordonet. Kontaktern måste även placeras så att ledningarna från kontakten på handtaget kan nå kontaktern.
- Fäst kontaktern med en 1/4" bult och ett eller två buntband. Kontaktern måste fästas på båda sidor.
- Om både handtagskontakten och fjärrkontrollen installeras, skall terminalerna på de gröna och svarta fjärrkontrollledningarna först fästas i kontaktern (grön till grön, svart till svart). Därefter fästs terminalerna på handtagskontaktens ledningar i "Y"-anslutningarna på fjärrkontrollsockelns ledningspaket efter det att dammskydden avlägsnats.

- Om endast handtagskontakten installeras, fästs dess gröna och röda ledningsterminaler direkt på kontaktorns terminaler.
- Om möjligt dras vinschens strömförande (röd) och jordledning (svart) utmed fordonets befintliga ledningsdragningar in till utrymmen under sätet och batteriplatsen. Se noga till att ledningarna inte kläms då sätet sätts tillbaka.
- Se noga till att kablar inte korsar över vassa kanter, rörliga delar eller kommer i kontakt med föremål som kan bli varma.
- Fäst lösa ledningar med buntband eller eltejp innan ATV:n slutligen sätts ihop.

## Steg 7. Systemkontroll

Innan vinschen används, kontrollera att:

- Ledningsdragningarna till alla komponenter är riktigt utförda. Alla lösa ledningar är ordentligt infästa.
- Inga synliga ledningar eller terminaler förekommer. Alla befintliga, synliga terminaler är skyddade med skor, värmekrympta slangar eller eltejp.
- Vrid nyckeln till "ON"-läge. Kontrollera att vinschen fungerar ordentligt. Vajern skall spolas in och ut enligt riktningsskissningen på kontakten.



### **⚠ VARNING**

#### LÄR KÄNNA DIN VINSCH!

- **Ta tid på dig fordonet helt och fullt förstå hur vinschen och dess hantering fungerar genom att gå igenom *Grundläggande Vinschteknisk-guide* som tillhör denna vinsch.**

#### Service

- Om problem uppstår under installation eller användning av vinschen hänvisas till bruksanvisningen och installationsanvisningarna. Där finns illustrationer och detaljerad information om hur installation och säker och riktig användning av vinschen skall ske. Där finns även reservdelsförteckning och sammansättningsschema. Om problemet inte kan lösas, kontaktas företaget, som sålde vinschen.

- Kontakta försäljningsstället varifrån vinschen köptes. Om problemet inte kan lösas efter kontakt med reservdels- och servicepersonalen kan du fortsätta till nästa steg.
- Kontakta ett av WARN auktoriserat serviceställe enligt listan på baksidan av bifogat garantibevis. Vid kontakt skall följande information anges: vinschens modellnummer och inköpsdatum, fordonets fabrikat, modell och tillverkningsår.
- Om du inte är nöjd med resultatet, kontakta Warn Industries kundtjänst : USA 1-800-543-9276. Vid kontakt skall följande information anges: vinschens modellnummer och inköpsdatum, fordonets fabrikat, modell och tillverkningsår. Du kan även kontakta Warn Industries genom fordonet besöka vår webbsida: [www.warn.com](http://www.warn.com)

## Garanti

För detaljer hänvisas till garantibeskedet, som hör till vinschen.

## Artikelnummer för reservdelar

Beställningsinformation: Reservdelar kan erhållas hos närmsta återförsäljare eller distributör.

Artikelnummer	Beskrivning
PN 69336	Vajer, 4 mm x 16 m
PN 69344	Motorvinsch, RT/XT15, grå
PN 69281	Kontaktor, RT/XT15
PN 64849	Fjärrkontroll, 3,3 m.
PN 62258	Fjärrkontrollsockel
PN 28929	Linledarrulle, sats
PN 28930	Gjuten profil för linledare, sats
PN 39557	Krok, 5/16" urkrokningsskydd med rem
PN 38293	Stropp, krok
PN 69206	Kontaktsats, Mini, 19" SP

Ovanstående lista representerar de mest efterfrågade reservdelarna. En fullständig förteckning över reservdelar och service finns tillgänglig. Kontrollera med WARNs auktoriserade återförsäljare på webben: [www.warn.com](http://www.warn.com)



# Warnhinweise und Vorsichtsmaßnahmen



In diesem Handbuch befinden sich WARNHINWEISE, VORSICHTSMASSNAHMEN, WICHTIGE ANMERKUNGEN und HINWEISE. Jeder dieser Punkte hat einen besonderen Zweck.

WARNHINWEISE sind Sicherheitshinweise, die auf eine möglicherweise gefährliche Situation hinweisen, die zu schweren Verletzungen führen kann, wenn sie nicht vermieden wird. VORSICHTSMASSNAHMEN sind Sicherheitshinweise, die auf eine möglicherweise gefährliche Situation hinweisen, die zu leichten oder mäßigen Verletzungen führen kann, wenn sie nicht vermieden wird. Eine VORSICHTSMASSNAHME kann auch auf unsichere Praktiken hinweisen. VORSICHTSMASSNAHMEN und WARNHINWEISE kennzeichnen die Gefahr, weisen auf Möglichkeiten zur Vermeidung der Gefahr hin und geben Aufschluss über die möglichen Folgen, wenn diese Gefahr nicht vermieden wird. Das Signalwort WICHTIG weist auf Anmerkungen mit Vorgehensweisen zur Vermeidung von Sachschäden hin. HINWEISE liefern zusätzliche Informationen, die Ihnen helfen, ein bestimmtes Verfahren durchzuführen. **BITTE UNBEDINGT ALLE SICHERHEITSMASSNAHMEN BEACHTEN!**

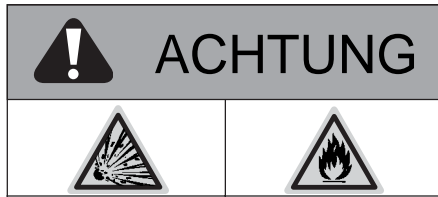


## GEFAHR DURCH BEWEGLICHE TEILE

Die Nichtbeachtung dieser Anweisungen kann zu schweren oder tödlichen Verletzungen führen.

So lassen sich Verletzungen an den Händen und Fingern vermeiden:

- Kontakt mit dem Seil, der Öse, dem Haken und der Seilführung während der Installation, des Betriebs und beim Ab- und Aufspulen vermeiden.
- Vorsicht beim Umgang mit Haken und Seil während des Spulvorgangs! Beim Auf- und Abspulen, während der Installation und während des Betriebs immer den mitgelieferten Hakengurt verwenden.
- Beim Windenbetrieb muss der Blickkontakt mit dem Fahrzeug stets gegeben sein.
- Bei der Handhabung des Seils stets schwere Lederhandschuhe tragen.



## CHEMISCHE UND BRANDGEFAHREN

Die Nichtbeachtung dieser Anweisungen kann zu schweren oder tödlichen Verletzungen führen.

- Schmuckstücke immer entfernen und Augenschutz tragen.
- Beim Anschluss der Kabel nie über die Batterie lehnen.
- Immer sicherstellen, dass sich in dem Bereich, in dem gebohrt werden soll, keine Kraftstoffleitungen, Kraftstofftanks, Bremsleitungen, elektrischen Kabel usw. befinden.
- Elektrische Kabel niemals:
  - über scharfe Kanten hinweg verlegen.
  - durch oder in der Nähe von beweglichen Teilen verlegen.
  - in der Nähe von Teilen verlegen, die heiß werden können.
- Frei liegende Drähte und elektrische Anschlüsse sind immer zu isolieren und zu schützen.
- Schutzmanschetten sind immer gemäß den Installationsanweisungen anzubringen.



## GEFAHR DURCH BEWEGLICHE TEILE

Die Nichtbeachtung dieser Anweisungen kann zu leichten oder mäßigen Verletzungen führen.

- Fernsteuerungskabel immer von der Trommel, dem Seil und beim Abspannen fern halten. Auf rissige, geknickte oder ausgefranste Drähte oder lockere Anschlüsse achten. Beschädigte Fernsteuerungen austauschen.
- Bei Verwendung der verkabelten Fernsteuerung im Fahrzeug die Fernsteuerung immer durch das Fenster reichen, um ein Quetschen des Kabels in der Tür zu vermeiden.
- Fernsteuerung beim Freilauf, Abspannen oder bei Nichtgebrauch der Winde entfernen, damit sie nicht aktiviert werden kann.



## GEFAHR DURCH BEWEGLICHE TEILE

Die Nichtbeachtung dieser Anweisungen kann zu leichten oder mäßigen Verletzungen führen.

### Allgemeine Sicherheitsmaßnahmen:

- Sie sollten stets mit dem Betrieb und allen Komponenten der Winde vertraut sein. Installationsanleitung der Winde sowie die Richtlinien zur Windentechnik vollständig lesen.
- Nur Personen, die mindestens 16 Jahre alt sind, dürfen diese Winde in Betrieb nehmen.
- Winde niemals unter Alkohol-, Drogen- oder Medikamenteneinfluss in Betrieb nehmen.
- Die auf dem Datenblatt angegebene Zuglast der Winde bzw. des Seils darf niemals überschritten werden. Zur Reduzierung der Last sind eine Umlenkrolle und ein zweifach gesichertes Seil erforderlich.
- Weder die Winde noch das Seil zum Ziehen von Lasten verwenden.

### Sicherheitsmaßnahmen bei der Installation:

- Die Befestigungsstelle sollte immer fest genug sein, um der maximalen Nennleistung der Winde standhalten zu können.
- Nur vom Hersteller zugelassene Befestigungsteile, Komponenten und Zubehörteile verwenden.
- Die Metallteile müssen stets mindestens Grade 5 entsprechen.
- Keine Schweißbolzen verwenden.
- Vorsicht bei der Verwendung von Bolzen, die länger als die im Lieferumfang enthaltenen Bolzen sind. Zu lange Bolzen können den Sockel beschädigen und/oder eine sichere Befestigung der Winde verhindern.
- Vor Anschluss der Elektrik ist die Winde immer fest zu installieren und der Haken an der Endschlaufe des Seils zu befestigen.
- Seilführung immer so positionieren, dass das Warnetikett nach oben zeigt.
- Seil immer in der auf dem Warnetikett der Winde bzw. in den Unterlagen angegebenen Richtung auf die Trommel spulen. Diese Maßnahme ist für die ordnungsgemäße Funktion der Automatikbremse unerlässlich.
- Seil vor Inbetriebnahme immer erst dehnen und unter Last neu aufspulen. Ein fest aufgespultes Seil reduziert das Risiko, dass sich die Seillagen lockern und hängen bleiben oder Schäden verursachen.



## GEFAHR DURCH BEWEGLICHE TEILE

Die Nichtbeachtung dieser Anweisungen kann zu leichten oder mäßigen Verletzungen führen.

- Seil, Haken und Schlingen müssen vor Inbetriebnahme der Winde geprüft werden. Beschädigte Komponenten sind vor Inbetriebnahme auszutauschen. Alle Einzelteile sind vor Schäden zu schützen.
- Die verkabelte Fernsteuerung darf Freilauf, Abspannen oder bei Nichtgebrauch der Winde nicht an der Winde angeschlossen bleiben.
- Seil niemals am Seil einhaken. Dadurch wird das Seil beschädigt.
- Stets eine Kette, ein Seil oder eine sonstige Schutzvorrichtung (z.B. für Bäume) mit dem Anker verwenden.
- Gegenstände oder Hindernisse, die einen sicheren Betrieb der Winde beeinträchtigen könnten, sind zu entfernen.
- Vorsicht beim Abspannen in Vorbereitung des Windenvorgangs!
- Sicherstellen, dass der gewählte Anker der Last standhalten kann und dass weder der Riemen noch die Kette verrutschen können.
- Kupplung bei belasteter Winde, gespanntem Seil oder sich bewegender Seiltrommel nicht ein- oder austrasten lassen.
- Der Betrieb der Winde mit weniger als 5 Seilwicklungen um die Trommel wird nicht empfohlen. Das Seil könnte sich von der Trommel lösen.
- Niemals Seil oder Haken berühren, wenn diese unter Spannung stehen.
- Während des Windenbetriebs – oder wenn jemand anderes die Steuerung der Winde übernommen hat – weder Seil noch Haken berühren.
- Abstand zum Seil und der Last einhalten und andere Personen während des Windenbetriebs fern halten.
- Das Betriebspersonal muss sich der Stabilität von Fahrzeug und Last während des Betriebs der Winde bewusst sein. In der Nähe befindliche Personen müssen über instabile Zustände informiert werden.
- Winde nicht zur Sicherung der Last verwenden.

## VORSICHT



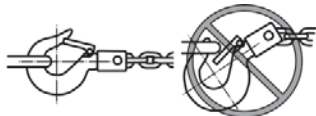
### SCHNITTVERLETZUNGS - UND VERBRENNUNGSGEFAHR

Die Nichtbeachtung dieser Anweisungen kann zu leichten oder mäßigen Verletzungen führen.

So lassen sich Verletzungen an den Händen und Fingern vermeiden:

- Bei der Handhabung des Seils stets schwere Lederhandschuhe tragen.
- Seil nie durch die Hände gleiten lassen.
- Während des Betriebs und nach Verwendung der Winde immer auf möglicherweise heiße Flächen in der Nähe des Motors, der Trommel oder des Seils achten.

## VORSICHT



### GEFAHR DURCH BEWEGLICHE TEILE

Die Nichtbeachtung dieser Anweisungen kann zu leichten bis mäßigen Verletzungen führen.

- Immer Haken und Riegel verwenden.
- Immer sicherstellen, dass der Riegel geschlossen ist und keine Last trägt.
- Hakenspitze oder Riegel nicht belasten. Nur die Hakenmitte belasten.
- Verworfene Haken bzw. Haken mit einer verbreiterten Durchlassöffnung nicht verwenden.

## ACHTUNG



### STURZ- ODER QUETSCHGEFAHR

Die Nichtbeachtung dieser Anweisungen kann zu schweren oder tödlichen Verletzungen führen.

- Winde niemals als Lift oder zur Beförderung von Personen verwenden.
- Winde niemals als Hebevorrichtung oder zum Anheben von Lasten verwenden.

## HINWEIS

### SO LASSEN SICH SCHÄDEN AN DER WINDE UND AN DEN GERÄTEN VERMEIDEN

- Das Einziehen des Seils von der Seite ist zu vermeiden, da sich das Seil an einem Ende der Trommel ansammeln kann. Bei Nichtbeachtung dieser Anweisung können Schäden am Seil oder der Winde entstehen.
- Immer darauf achten, dass die Kupplung vollkommen ein- oder ausgerastet ist.
- Winde niemals zum Schleppen anderer Fahrzeuge oder Objekte verwenden. Schocklasten können die Leistungsfähigkeit des Seils und der Winde kurzzeitig überschreiten.
- Das Abspulen des Seils über längere Strecken ist zu vermeiden. Dies führt zu einer zu starken Wärmebildung im Motor und an der Bremse.
- Immer darauf achten, dass das Chassis bei der Verankerung des Fahrzeugs während des Windenbetriebs nicht beschädigt wird.
- Seil unter Last immer nur langsam einziehen. Schocklasten können die Leistungsfähigkeit des Seils und der Winde kurzzeitig überschreiten.
- Winde nicht zur Sicherung der Last während des Transports verwenden.
- Winde niemals in Wasser eintauchen.
- Fernsteuerung an einem geschützten, sauberen, trockenen Ort aufbewahren.
- Seil immer zweifach scheren oder beim Abspannen einen weit entfernten Ankerpunkt wählen. Dadurch wird die Zugleistung maximiert und ein Überlasten der Winde verhindert.

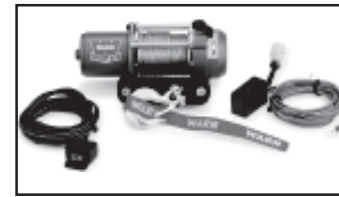


Abbildung 1: WARN RT/XT15 – Windenbausatz

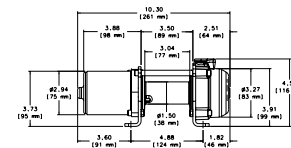


Abbildung 2:  
Windenabmessungen: 26 cm breit  
x 10 cm tief x 11 cm hoch.

## Technische Daten

**Best.-Nr.** Best.-Nr. 78000 (RT15); 78500 (XT15)

**Zugkraft:** 680 kg (Einzelseil)

**Motor:** 12 V DC, 0,4 PS (0,3 kW) Dauermagnet

**Steuerung:** Mini-Wippenschalter auf dem Griff

**Getriebe:** Dreistufiges Planetenradgetriebe

**Untersetzungsverhältnis:** 103:1

**Kupplung (Freilauf):** Nockenkupplung

**Bremse:** Mechanische Bremse, Standard

**Trommeldurchmesser/-länge:** 38 mm\76mm (3,8cm\7,6)

**Gewicht:** 5,2 kg

**Drahtseil:** 15 m lang, 4 mm Durchmesser

**Seilführung:** Guss (Klüse)

**Empfohlene Batterie:** mind. 12 A/Stunde für den Windenbetrieb

**Batteriekabel:** 10 GA

**Lastspiel:** Aussetzbetrieb

**Lack:** Grau

## Leistungsdaten

Zugkraft	Seilgeschwindigkeit	Motor Stromaufnahme
kg	m/min	A
0	4,6	6
227	3,3	27
455	2,1	44
680	1,5	65

O.a. Leistungsdaten gemäß erster Seillage.

Zugkraft	Drahtseillage
kg	Erste in nächster Nähe zum Trommelkern
680	1.
599	2.
527	3.
463	4.

## **⚠ Vorsicht**

Die Winde muss stets vollständig installiert und der Haken vor der Verdrahtung befestigt sein, damit die Winde nicht aus Versehen eingeschaltet werden und schwere Verletzungen verursachen kann.

## **Schritt 1: Sicherheit ist stets das oberste Gebot!**

Bei der Installation des ATV-Windensystems sind alle Installations- und Sicherheitshinweise zu lesen und zu beachten.

Gehen Sie bei der Arbeit mit Elektrizität stets vorsichtig vor. Vergewissern Sie sich, dass keine elektrischen Anschlüsse frei liegen, bevor Sie den Windenschaltkreis an die Stromversorgung anschließen.

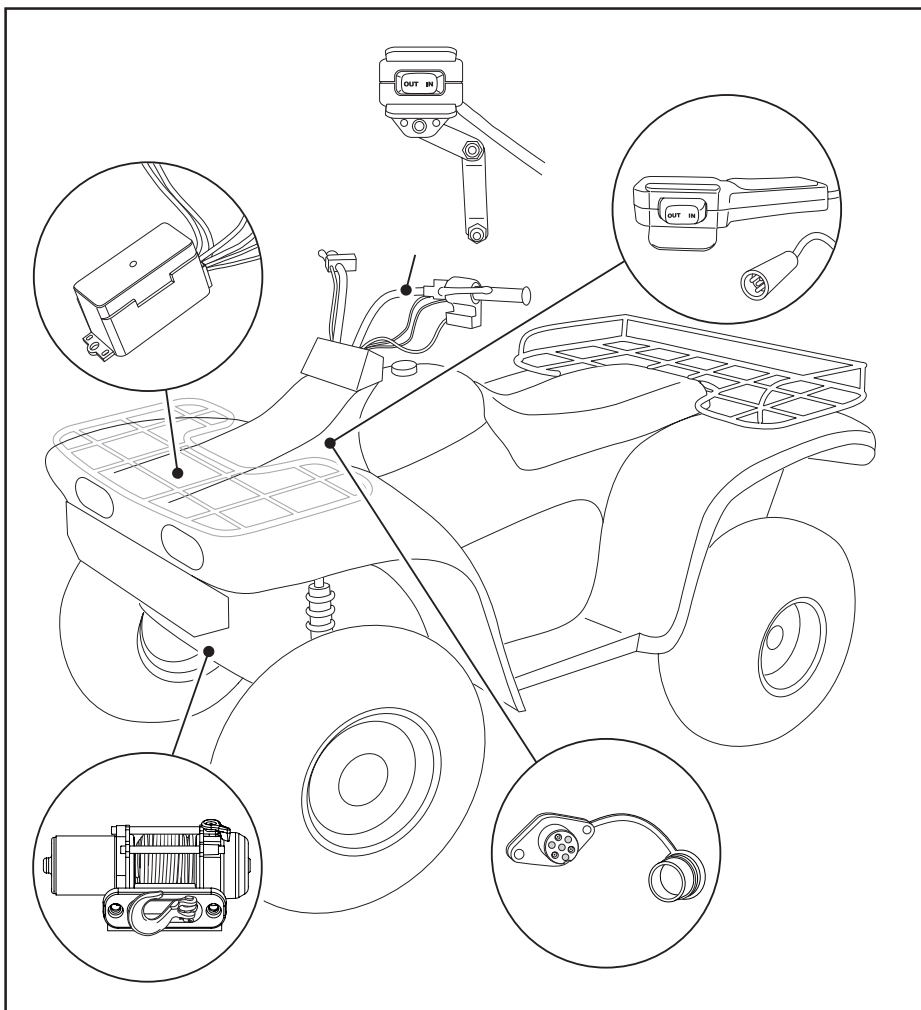


Abbildung 3: Bei Installation des gesamten Bausatzes müssen die Winde, der Schalterschütz, der Mini-Wippenschalter auf dem Griff und der Anschluss der Fernsteuerung (wahlweise für die RT/XT15-Winde) montiert werden. Die Befestigungsstellen richten sich je nach Fahrzeugmarke und-modell. Lesen Sie die folgenden Anweisungen zur Auswahl der richtigen Befestigungsstellen und machen Sie sich mit ihnen vertraut.

## **WARN Montageplatten werden empfohlen**

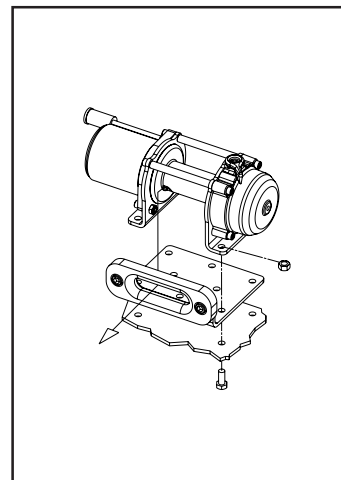


Abbildung 4: Ausrichtung der Winde und der Montageplatte.

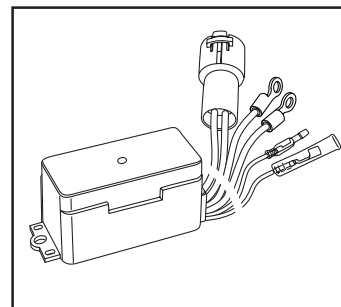


Abbildung 5: Schalterschütz für die ATV-Winde von Warn.

## **Schritt 2: Montage der Seilwinde**

Montagebausätze für ATV-Winden sind für fast alle ATV-Anwendungen bei Ihrem Warn-Händler erhältlich. Informationen zu den verfügbaren Bausätzen erhalten Sie bei Ihrem WARN-Händler.

Befestigen Sie die Winde immer wie folgt:

- an einer flachen, sicheren Stelle (mind. 4,8 mm dick).
- mit Nyloc-Schrauben (5/16-18)
- unter Verwendung der im Lieferumfang inbegriffenen Sechskant-Kopfschrauben (5/16-18 x 1 Zoll, SAE Grade 5). Bei integrierter Montageplatte für die Seilführung sind Schrauben der Größe 5/16-18 x 3/4 Zoll zu verwenden.
- mit auf 16 Nm festgezogenen Schrauben.

Befestigen Sie jetzt den Lastbügel am Drahtseil.

- Schalten Sie die Kupplung auf Freilauf.
- Legen Sie die Drahtseilschleife manuell durch die Seilführung.
- Befestigen Sie den Haken an der Kabelschleife und lassen Sie die Kupplung wieder einrasten.

## **Schritt 3: Befestigungsstelle des Schalterschützes**

- Bei dem Schalterschütz handelt es sich um die wesentliche Sicherheitsvorrichtung des Windensystems. Der Schalterschütz trennt die Winde von der Stromversorgung, wenn das Geländefahrzeug nicht im Einsatz ist. Der Schalterschütz kann nur bei richtiger Installation ordnungsgemäß funktionieren.
- Der Schalterschütz sollte in der Nähe der Batterie an einer sauberen und trockenen Stelle befestigt werden. Die genaue Position richtet sich nach dem Fahrzeug.

## Schritt 4: Befestigung des Griffschalters

### ⚠ ACHTUNG

UM SCHWERE ODER TÖDLICHE VERLETZUNGEN DURCH BRAND ZU VERMEIDEN:

- Verlegen Sie KEINE Kabel und Drähte über scharfe Kanten.
- Verlegen Sie KEINE Kabel und Drähte durch oder in der Nähe von beweglichen Teilen.
- Verlegen Sie KEINE Kabel und Drähte durch oder in der Nähe von heißen Teilen.
- Vermeiden Sie Quetschpunkte und scharfe Kanten bei der Installation aller elektrischer Kabel.

UM VERLETZUNGEN UND SACHSCHÄDEN ZU VERMEIDEN:

- Gehen Sie bei der Verlegung oder erneuten Positionierung der Fahrzeugsteuerungen vorsichtig vor, damit die sichere Betriebsweise des ATV gewährleistet ist. Wählen Sie eine Befestigungsstelle, bei der ausreichend Abstand für alle Fahrzeugsteuerungen eingehalten werden kann.
- Vergewissern Sie sich, dass die Griffe vollständig hin- und herbewegt werden können, bevor Sie die Griffkabel befestigen.

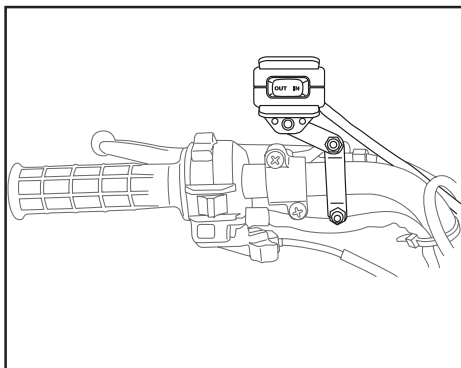
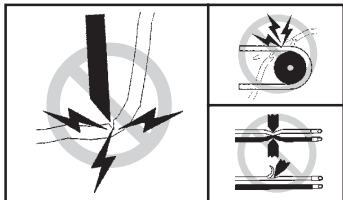


Abbildung 6: Griffmontage. Die genaue Ausrichtung richtet sich nach Fahrzeugmarke und-modell.

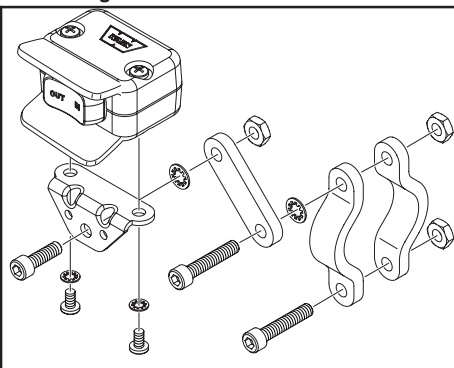


Abbildung 7: Mini-Wippenschalter.

- Wir empfehlen die Installation des Schalters auf dem linken Griff. Klebeband um den Griff verhindert das Verrutschen der Einheit am Griff.
- Nicht über Schlauchleitungen oder Kabeln befestigen.
- Nach der Installation des Griffschalters sind die beiden Drähte der Kontaktplättchen an die Befestigungsstelle des Schaltschützes zu verlegen. Spleißen Sie das Ende des roten Drahts (20 GA) zum Schlüssel-schalterdraht des Geländefahrzeugs. Suchen Sie den passenden Draht vom Schlüsselschalter mit einer Testlampe. Der Draht sollte nur dann heiß sein, wenn sich der Schlüssel in der entsprechenden Position befindet („ON“ [EIN]).

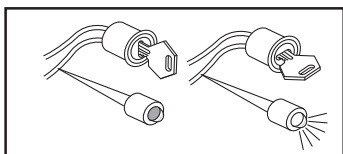


Abbildung 8: Identifizierung des Drahtes mit einer Testlampe.

## Schritt 5: Installation des Fernanschlusses (Option für die RT/XT15-Winde)

### ⚠ ACHTUNG

UM SCHWERE ODER TÖDLICHE VERLETZUNGEN DURCH EXPLOSION ZU VERMEIDEN:

- Bohren Sie keine Löcher in den Kraftstofftank.
- Vergewissern Sie sich, dass der Bereich hinter der Montagestelle frei ist, bevor Sie mit den Bohrarbeiten beginnen.

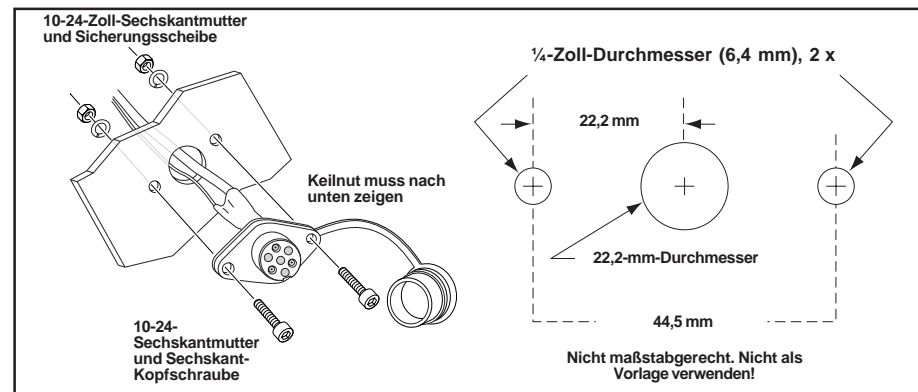


Abbildung 9: Installation des Fernanschlusses.

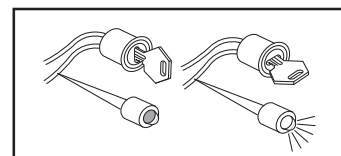


Abbildung 10: Identifizierung des Drahtes mit einer Testlampe.

- Wenn Sie sich für eine Befestigungsstelle des Fernsteckers entschieden haben, bohren Sie an dieser Stelle drei Löcher und installieren den Anschluss. (Siehe Abbildung 9)
- Nach der Installation des Fernanschlusses sind die beiden Drähte der Kontaktplättchen an die Befestigungsstelle des Schaltschützes zu verlegen. Spleißen Sie das Ende des roten Drahts (20 GA) (mit der im Lieferumfang enthaltenen Drahtspleiße) zum Schlüssel-schalterdraht des Geländefahrzeugs. Suchen Sie den passenden Draht vom Schlüsselschalter mit einer Testlampe. Der Draht sollte nur dann heiß sein, wenn sich der Schlüssel in der entsprechenden Position befindet („ON“ [EIN]).

**HINWEIS:** Bei der Installation beider Schalter MÜSSEN beide roten 20-GA-Drähte gemäß der o.a. Beschreibung zum Schlüsselschalterdraht des Fahrzeugs gespleißt werden.



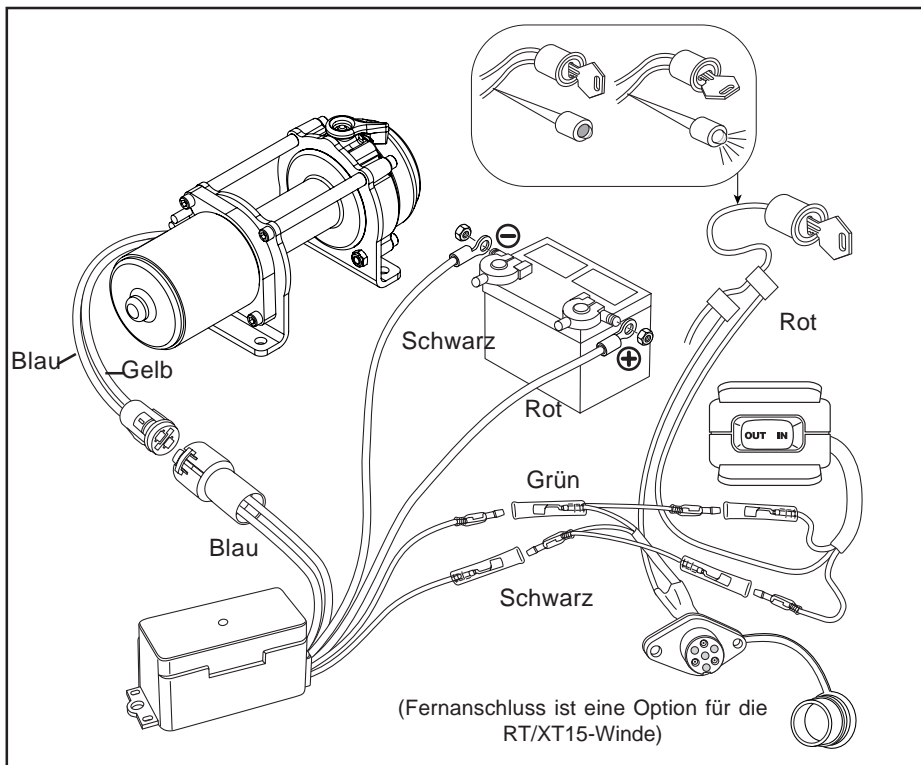
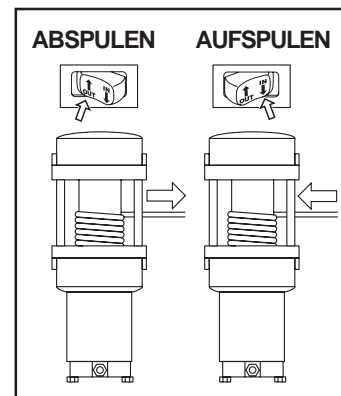


Abbildung 11: Verdrahtungsdiagramm

## Schritt 6: Verdrahtung

### ⚠ VORSICHT

- Verlegen Sie die Drähte am Fahrzeugrahmen entlang zur Lenksäule des Fahrzeugs. Der Schaltschütz muss an einer besonders sauberen und trockenen Stelle am Fahrzeug befestigt werden. Der Schaltschütz muss so installiert werden, dass die Drähte des Griffschalters den Schaltschütz erreichen können.
- Befestigen Sie den Schaltschütz mit einer ¼-Zoll-Schraube und einem Kabelbinder oder mit zwei Kabelbindern. Der Schaltschütz ist an beiden Seiten zu befestigen.
- Bei der Installation des Griffschalters und des Fernanschlusses müssen die grünen und schwarzen Fernanschlussdrähte zuerst am Schaltschütz angeschlossen werden (grün an grün, schwarz an schwarz). Befestigen Sie nach Entfernen der Abdeckungen die Drähte des Griffschalters mit den Y-Anschlüssen am Kabelbaum des Fernanschlusses.
- Wenn Sie nur den Griffschalter installieren, müssen die Anschlusspunkte der grünen und schwarzen Schalterdrähte direkt am Schaltschütz befestigt werden.



- Wenn möglich, verlegen Sie den roten Draht (für die Stromversorgung der Winde) und den schwarzen Erdungsdraht entlang der vorhandenen Drahtbahnen des Fahrzeugs unter dem Sitz und in der Nähe der Batterie. Achten Sie darauf, dass die Drähte bei Wiederanbringung des Sitzes nicht gequetscht werden.
- Vergewissern Sie sich, dass die Kabel und Drähte nicht über scharfe Kanten oder bewegliche Teile verlegt worden sind bzw. mit Gegenständen in Kontakt kommen können, die heiß werden.
- Befestigen Sie den Schaltschütz an der vorbestimmten Position am Fahrzeug. Vergewissern Sie sich, dass die Kabel und Drähte nicht über scharfe Kanten oder bewegliche Teile verlegt worden sind bzw. mit Gegenständen in Kontakt kommen können, die heiß werden.
- Sichern Sie lockere Drähte mit Kabelbinder oder Klebeband vor dem Zusammensetzen der restlichen Fahrzeugteile.

## Schritt 7: Systemprüfung

Vor Inbetriebnahme der Winde sind folgende Punkte zu prüfen:

- Die Verdrahtung aller Komponenten wurde richtig vorgenommen. Alle losen Drähte sind fest umwickelt.
- Es liegen keine Drähte oder Anschlusspunkte frei. Alle frei liegenden Stellen wurden mit Manschetten, Isolationsmaterial, Schrumpffolie oder Klebeband abgedeckt.
- Stellen Sie den Schlüsselschalter auf „ON“ (EIN). Vergewissern Sie sich, dass die Winde ordnungsgemäß funktioniert. Das Drahtseil sollte sich in der auf dem Schalter angegebenen Richtung auf- und abspulen lassen.

### ⚠ VORSICHT

**MACHEN SIE SICH MIT DER FUNKTIONSWEISE IHRER WINDE VERTRAUT:**

- Nehmen Sie sich die Zeit, um sich anhand der *Richtlinien zur Windentechnik* im Lieferumfang Ihrer Winde mit der Funktionsweise und dem Windenbetrieb vollständig vertraut zu machen.

## Wartung/Reparatur

Bei Problemen während der Installation oder während des Betriebs der Winde konsultieren Sie bitte die Bedienungsanleitung und die Installationsanweisungen. Diese Dokumente verfügen über Abbildungen und detaillierte Informationen zur Installation und sicheren sowie ordnungsgemäßen Betriebsweise Ihrer Winde. Hier finden Sie auch eine Liste mit Ersatzteilen und Einbaudiagramme. Wenn Sie das Problem auf diese Art nicht lösen können, müssen Sie sich mit dem Händler in Verbindung setzen, bei dem Sie die Winde erworben haben.



- Bei Problemen während der Installation oder während des Betriebs der Winde konsultieren Sie bitte die Bedienungsanleitung und die Installationsanweisungen. Diese Dokumente verfügen über Abbildungen und detaillierte Informationen zur Installation und sicheren sowie ordnungsgemäßen Betriebsweise Ihrer Winde. Hier finden Sie auch eine Liste mit Ersatzteilen und einbaudiagramme. Wenn Sie das Problem auf diese Art nicht lösen können, müssen Sie sich mit dem Händler in Verbindung setzen, bei dem Sie die Winde erworben haben.
- Setzen Sie sich mit dem Händler in Verbindung, bei dem Sie Ihre Winde erworben haben. Wenn Sie auch nach Verständigung des Kundendienstes das Problem nicht beheben können, fahren Sie mit dem nächsten Schritt fort.
- Setzen Sie sich mit einem auf der Rückseite des im Lieferumfang enthaltenen Garantiescheins genannten zugelassenen WARN-Kundendienstzentrum in Verbindung. Halten Sie in einem solchen Fall die folgenden Informationen bereit: Modellnummer und Kaufdatum der Winde sowie Fabrikat, Modell und Baujahr des Fahrzeugs.
- Wenn das Problem nicht zu Ihrer Zufriedenheit behoben werden kann, setzen Sie sich mit dem Kundendienst von Warn Industries unter der folgenden Nummer in Verbindung: 1-800-543-9276. Halten Sie in einem solchen Fall die folgenden Informationen bereit: Modellnummer und Kaufdatum der Winde sowie Fabrikat, Modell und Baujahr des Fahrzeugs. Warn Industries ist auch im Internet erreichbar unter: [www.warn.com](http://www.warn.com).

## Garantie

Einzelheiten hierzu finden Sie auf dem Garantieblatt im Lieferumfang der Winde.

## Bestellnummern für Ersatzteile

Bestellinformationen: Die Einzelteile sind bei Ihrem Händler vor Ort erhältlich.

### Best.-Nr. Beschreibung

Best.-Nr. 69663	Drahtseil Aufbau, 4 mm x 16m
Best.-Nr. 69344	Motorwinde, RT/XT15, grau
Best.-Nr. 69281	Schalterschütz, RT/XT15
Best.-Nr. 64849	Fernsteuerung (3 m)
Best.-Nr. 62258	Fernsteuerungsanschluss
Best.-Nr. 28929	Rollenseilführung
Best.-Nr. 28930	Gusseilführung
Best.-Nr. 39557	Zughaken mit Lastbügel und Gurt (0,8 cm)
Best.-Nr. 38293	Gurt, Haken
Best.-Nr. 69206	Mini-Schalterbausatz, 19 Zoll, SP

Die Liste führt die am häufigsten angeforderten Einzelteile auf. Eine vollständige Liste aller Ersatzteile ist auf Anfrage erhältlich. Setzen Sie sich mit Ihrem autorisierten WARN-Händler in Verbindung oder besuchen Sie uns im Internet unter: [www.warn.com](http://www.warn.com)

## Avvertenze e indicazioni di attenzione



Leggendo queste istruzioni si noteranno NOTE, AVVISI, indicazioni di ATTENZIONE e AVVERTENZE. Ciascun messaggio ha uno scopo specifico. Le AVVERTENZE sono messaggi di sicurezza che indicano situazioni potenzialmente pericolose che, se non vengono evitate, possono provocare lesioni gravi. Le indicazioni di ATTENZIONE sono messaggi di sicurezza che indicano situazioni potenzialmente pericolose che, se non vengono evitate, potrebbero provocare lesioni di leggera o moderata entità. Un'indicazione di ATTENZIONE può essere utilizzata anche per mettere in guardia contro procedure non sicure. Le indicazioni di ATTENZIONE e di AVVERTENZA identificano il pericolo, indicano come evitarlo e informano sulle possibili conseguenze nel caso in cui non venga evitato. Gli AVVISI sono messaggi che indicano come evitare danni alle apparecchiature. Le NOTE sono informazioni supplementari che assistono nel completamento della procedura. **SI PREGA DI LAVORARE IN CONDIZIONI DI SICUREZZA!**



### PERICOLO DI IMPIGLIAMENTO NELLE PARTI IN MOVIMENTO

La mancata osservanza delle istruzioni può risultare in lesioni gravi o morte.

Per evitare lesioni alle mani o alle dita:

- Tenere sempre le mani lontano dalla fune, dall'anello di aggancio, dal gancio e dall'apertura passacavo, sia durante l'installazione che durante il funzionamento e quando si avvolge o svolge la fune.
- Maneggiare sempre il gancio e la fune con estrema cautela durante le operazioni di svolgimento.
- Durante lo svolgimento, l'avvolgimento, l'installazione e l'operazione, utilizzare sempre la cinghia del gancio in dotazione.
- Quando si sta utilizzando il verricello mantenere sempre in vista e osservare il veicolo.
- Quando si maneggia la fune, indossare sempre guanti di pelle robusti.



### PERICOLO CHIMICO E D'INCENDIO

La mancata osservanza delle istruzioni può risultare in lesioni gravi o morte.

- Togliersi sempre i gioielli e indossare occhiali di protezione.
- Non appoggiarsi alla batteria quando si fanno i collegamenti.
- Verificare sempre che l'area in cui si faranno i fori sia distante dalle tubature del carburante, dal serbatoio del carburante, dalle tubature del freno, dai conduttori elettrici, ecc.
- Non fare mai passare i cavi elettrici:
  - Su spigoli vivi.
  - In mezzo o in vicinanza di parti in movimento
  - Vicino a parti che si riscaldano.
- Isolare e proteggere sempre tutti i conduttori e i terminali elettrici esposti.
- Installare sempre guaine di terminale quando richiesto dalle istruzioni d'installazione.



### PERICOLO DI IMPIGLIAMENTO NELLE PARTI IN MOVIMENTO

La mancata osservanza delle presenti istruzioni può risultare in lesioni lievi o di entità moderata.

- Tenere sempre il cavo del comando a distanza lontano dal tamburo, dalla fune e dall'allestimento della fune. Ispezionare per verificare che non ci siano conduttori tagliati, pinzati o sfrangiati o connessioni allentate. Sostituire il comando a distanza se è danneggiato.
- Quando lo si usa dall'interno del veicolo, fare sempre passare il cavo del comando a distanza da un finestrino per evitare di pinzarlo nella porta.
- Non lasciare mai il comando a distanza in una posizione in cui possa essere attivato durante lo svolgimento libero, l'allestimento della fune o quando il verricello non è in uso.

## **ATTENZIONE**

### **PERICOLO DI IMPIGLIAMENTO NELLE PARTI IN MOVIMENTO**

La mancata osservanza delle presenti istruzioni può risultare in lesioni lievi o di entità moderata.

#### **Sicurezza generale:**

- Familiarizzarsi sempre con il verricello: Per comprendere il verricello e il suo funzionamento, dedicare il tempo necessario alla lettura del Manuale per l'installazione e alla Guida di base alle tecniche di sollevamento.
- Le persone di meno 16 anni d'età non devono mai usare questo verricello.
- Non si deve mai usare il verricello sotto l'influsso di droghe, in stato di ebbrezza o sotto l'effetto di medicine.
- Non superare mai la portata nominale del verricello o della fune indicate sul prospetto dei dati tecnici. Per ridurre il carico di trazione raddoppiare la fune usando un blocco di presa.
- Non usare mai il verricello o la fune per il traino.
- Sicurezza in installazione:
  - Scegliere sempre una posizione di installazione sufficientemente forte da supportare la capacità massima di trazione del verricello.
  - Usare sempre attrezzature di montaggio, componenti e accessori approvati dalla fabbrica.
  - Usare sempre attrezzature di montaggio di qualità 5 o migliore.
  - Non saldare mai i bulloni di montaggio.
  - Prestare sempre attenzione quando si usano bulloni di lunghezza superiore a quella specificata dalla fabbrica. I bulloni troppo lunghi possono danneggiare la base e/o impedire che il verricello si installi in modo sicuro.
  - Installare sempre il verricello, e collegare il gancio all'estremità della fune, prima di eseguire i collegamenti elettrici.
  - Posizionare sempre il passacavo con l'etichetta di AVVERTENZA in alto.
  - Avvolgere sempre la fune sul tamburo nella direzione specificata dall'etichetta di avvertenza sul verricello e/o nella documentazione. Ciò è necessario per garantire che il freno automatico funzioni in modo corretto.
  - Stirare sempre la fune e riavvolgerla sotto carico prima dell'uso. Una fune avvolta strettamente riduce la possibilità di "legature" che possono danneggiare la fune stessa.

## **ATTENZIONE**

### **PERICOLO DI IMPIGLIAMENTO NELLE PARTI IN MOVIMENTO**

La mancata osservanza delle presenti istruzioni può risultare in lesioni lievi o di entità moderata.

- La mancata osservanza delle presenti istruzioni può risultare in lesioni lievi o di entità moderata.
- Ispezionare sempre la fune, il gancio e le cinghie prima di usare il verricello. I componenti danneggiati devono essere sostituiti prima dell'uso. Proteggere le parti da danneggiamento.
- Non lasciare mai il cavo del comando a distanza inserito nel verricello durante lo svolgimento libero e l'allestimento della fune o quando il verricello non è in uso.
- Non agganciare mai la fune su se stessa. Così facendo si danneggia la fune.
- Sul punto di ancoraggio utilizzare sempre una catena o fune di aggancio o un elemento di protezione per tronchi d'albero.
- Togliere sempre oggetti od ostacoli che potrebbero interferire con l'uso del verricello in condizioni di sicurezza.
- Allestire sempre la fune usando una tecnica corretta adatta alla trazione con verricello.
- Accertarsi sempre che il punto di ancoraggio scelto sia capace di supportare il carico e che la cinghia o catena usate non scivolino.
- Non innestare o disinnestare la frizione se il verricello è sotto carico, la fune è in tensione o il tamburo è in movimento.
- Non azionare mai il verricello con meno di 5 giri di fune sul tamburo. La fune potrebbe allentarsi dal tamburo.
- Non toccare mai la fune o il gancio durante la trazione o sotto carico.
- Non toccare mai la fune metallica o il gancio mentre qualcun altro è in controllo dell'interruttore o durante le operazioni di trazione.
- Quando si usa il verricello, tenersi sempre distanti dalla fune e dal carico, e assicurarsi che gli altri stiano lontani.
- Durante la trazione, essere sempre consapevoli delle condizioni di stabilità del veicolo e del carico. Avvertire gli astanti se si verifica una condizione di instabilità.
- Non utilizzare mai il verricello per fissare un carico.

## **ATTENZIONE**



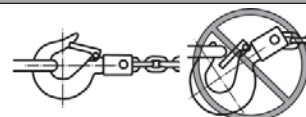
### **PERICOLO DI TAGLIO E BRUCIATURA**

La mancata osservanza delle presenti istruzioni può risultare in lesioni lievi o di entità moderata.

#### **Per evitare lesioni alle mani e alle dita:**

- Quando si maneggia la fune, indossare sempre guanti di pelle robusti.
- Non fare mai scivolare la fune tra le mani.
- Essere sempre consapevoli della possibilità che ci siano superfici molto calde sul motore del verricello, sul tamburo o sulla fune, durante o dopo l'uso del verricello.

## **ATTENZIONE**



### **PERICOLO DI IMPIGLIAMENTO NELLE PARTI IN MOVIMENTO**

La mancata osservanza delle presenti istruzioni può risultare in lesioni lievi o di entità moderata.

- Usare sempre un gancio con chiusura.
- Accertarsi sempre che l'elemento di chiusura sia impegnato e non supporti il carico.
- Non porre mai il carico sulla punta del gancio o sull'elemento di chiusura. Porre il carico solo sulla parte centrale del gancio.
- Non usare mai un gancio la cui apertura si sia allargata o la cui punta si sia piegata o torta.

## **AVVERTENZA**



### **PERICOLO DI CADUTA O SCHIACCIAMENTO**

La mancata osservanza delle istruzioni può risultare in lesioni gravi o morte.

- Non usare mai per sollevare o trasportare persone.
- Non usare mai il verricello come paranco o per sospendere un carico.

## **AVVISO**

### **EVITARE DANNI AL VERRICELLO E ALLE ATTREZZATURE**

- Evitare di tirare dallo stesso lato perché così facendo si accumula tutta la fune metallica su un'estremità del tamburo. Ciò può danneggiare la fune o il verricello.
- Accertarsi sempre che la frizione sia completamente innestata o disinnestata.
- Non usare mai il verricello per trainare un altro veicolo. I carichi istantanei possono momentaneamente superare la portata nominale della fune o del verricello.
- Evitare di svolgere la fune con il motore per forti distanze. Questa azione produce calore e usura eccessivi per il motore del verricello e per il freno.
- Fare sempre attenzione a non danneggiare il telaio del veicolo quando ci si ancora a un veicolo nel corso di un'operazione con il verricello.
- Non dare "strattoni" alla fune sotto carico. I carichi istantanei possono momentaneamente superare la portata nominale della fune o del verricello.
- Non utilizzare mai il verricello per fissare i carichi durante il trasporto.
- Non sommergere mai il verricello sott'acqua.
- Conservare sempre il comando a distanza in un'area riparata, pulita e asciutta.
- Raddoppiare sempre la fune o scegliere un punto di ancoraggio lontano quando si allestisce la fune. In questo modo si massimizza la forza di trazione e si evita di sovraccaricare il verricello.



Figura 1. Kit verricello WARN RT/XT15

## Dati tecnici

**Codice Pezzo:** PN 78000 (RT15); PN 78500 (XT15)

**Trazione nominale in linea:** 1500 libbre (680 kg) linea singola

**Motore:** 12 V c.c., 0,4 hp (0,3 kW) magnete permanente

**Comando:** Interruttore miniaturizzato montato sulla barra

**Rotismo:** Planetario a 3 stadi

**Rapporto di trasmissione:** 103:1

**Frizione (a svolgimento libero):** attivata a camma

**Freno:** Freno meccanico standard

**Diametro / Lunghezza tamburo:** 1,5/3,0 pollici (3,8/7,6 cm)

**Peso:** 11,5 libbre (5,2 kg)

**Fune metallica:** 50 piedi, diametro di 5/32 di pollice (15 m, diametro di 4mm)

**Guida:** cubia

**Batteria consigliata:** 12 A/hr minimo per uso con verricello

**Cavi della batteria:** misura 10

**Utilizzazione:** Intermittente

**Finitura:** Grigio

## Dati di prestazione

Trazione di linea Libbre (kg)	Velocità di linea m/min (piedi/min)	Corrente motore Ampere
0	15 (4,6)	6
500 (227)	11 (3,3)	27
1000 (455)	7 (2,1)	44
1500 (680)	5 (1,5)	65

**I dati soprastanti sono basati sul primo strato di fune sul tamburo**

**Potenza di trazione** Strato di fune metallica  
Libbre (kg) del primo strato più vicino al tamburo

1500 (680)	Primo
1320 (599)	Secondo
1162 (527)	Terzo
1020 (463)	Quarto

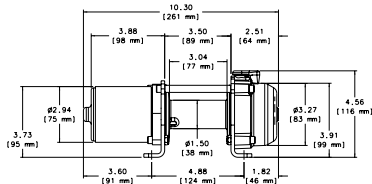


Figura 2. Dimensioni del verricello:  
10,3 pollici Lunghezza x 4,0 pollici  
Profondità x 4,56 pollici Altezza (26  
cm Lunghezza x 10 cm Profondità x  
11 cm Altezza)

## ATTENZIONE

**Per evitare di avviare il verricello accidentalmente e provocare lesioni gravi, completare l'installazione del verricello e montare il gancio prima di collegare il cablaggio.**

## Sicurezza

Quando si installa il sistema del verricello ATV, leggere e seguire tutte le istruzioni di montaggio e sicurezza. Fare sempre attenzione quando si lavora con l'elettricità e ricordarsi di controllare che non ci siano connessioni esposte prima di mettere sotto tensione il circuito del verricello.

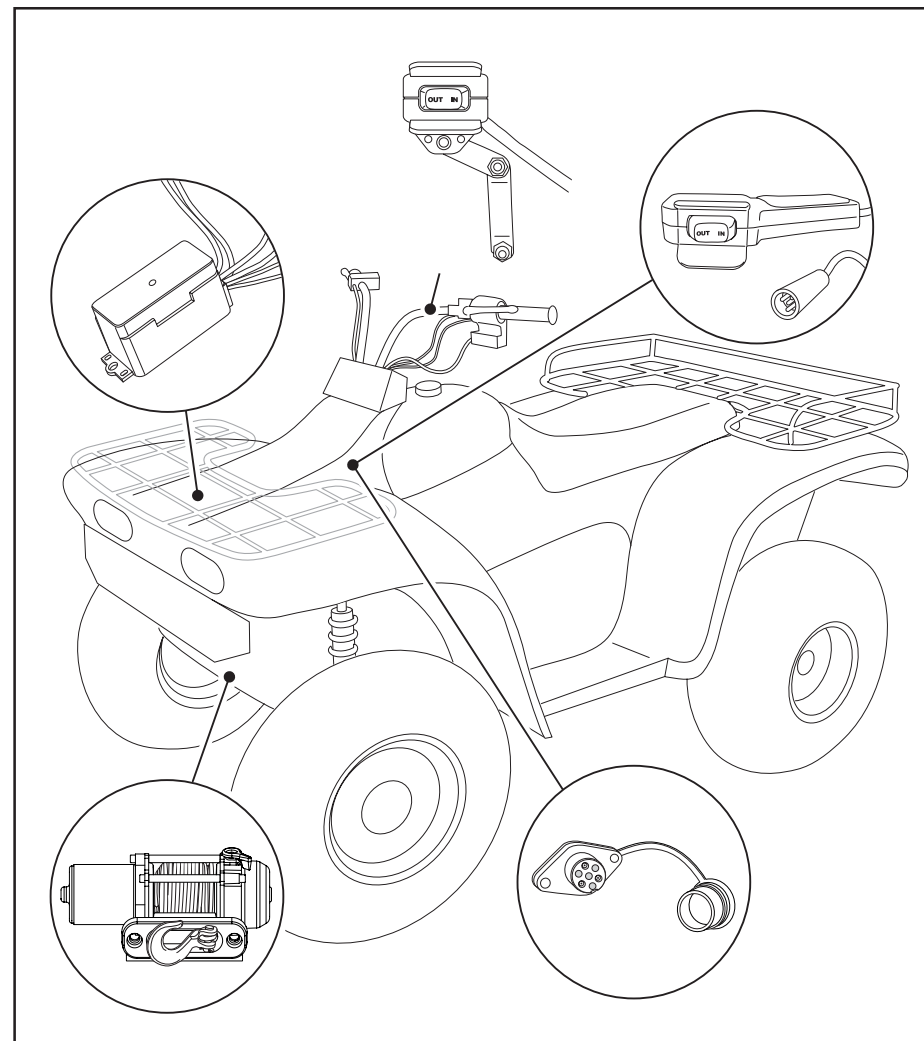


Figura 3: per installare l'intero kit sarà necessario montare il verricello, l'interruttore a bilanciere miniaturizzato sulla barra del contattore e la presa del comando a distanza (opzionale sul verricello RT/XT15). Le posizioni di montaggio varieranno secondo la marca e il modello dell'ATV. Per scegliere le posizioni di montaggio corrette leggere, comprendendole, le istruzioni seguenti.

Si consigliano le piastre di montaggio WARN

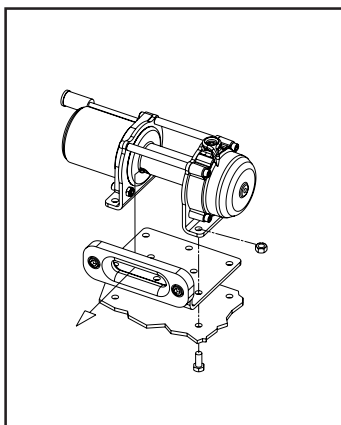


Figura 4: Orientamento del verricello sulla piastra.

## Fase due: Montaggio del verricello

I kit di montaggio del verricello ATV, capaci di soddisfare praticamente qualsiasi esigenza applicativa, sono disponibili presso il rivenditore locale Warn. Per informazioni sui kit disponibili, rivolgersi al rivenditore locale di prodotti WARN.

Per fissare il verricello in modo sicuro usare sempre:

- Una posizione di montaggio piana e sicura su base dello spessore minimo di 3/16 di pollice (4,8 mm).
- Dadi nyloc 5/16 - 18
- Si devono usare i bulloni senza dado a testa esagonale 5/16-18 x 1 pollice (2,5 cm) in dotazione Usare 5/16-18 x 3/8 di pollice (0,95 cm) se il montaggio è dotato di guida incorporata.
- Serrare i bulloni alla torsione di 12 piedi-libbra (1,7 kg m).

A questo punto, fissare il gancio con perno di chiusura alla fune metallica.

- Mettere la frizione sulla posizione di svolgimento libero.
- Avanzare l'anello del cavo manualmente attraverso la guida.
- Allacciare il gancio all'anello del cavo e innestare nuovamente la frizione.

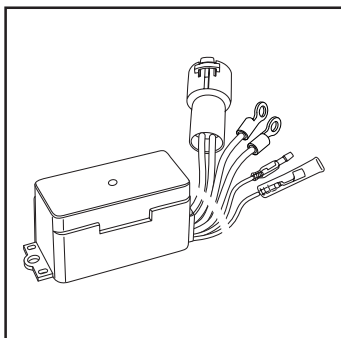


Figura 5. Contattori per il verricello WARN ATV RT/XT15

## Fase tre: Posizione del contattore

- Il contattore rappresenta il dispositivo di sicurezza principale del sistema del verricello. Serve a scollegare il verricello dalla fonte di alimentazione quando l'ATV non è in uso. Per funzionare in modo giusto il contattore deve essere installato correttamente.
- Si consiglia di montare il contattore in un posto il più possibile pulito e asciutto. La posizione precisa varierà secondo l'ATV.

## Fase quattro: Montaggio dell'interruttore sulla barra

### ⚠ AVVERTENZA

PER EVITARE LESIONI GRAVI O MORTE DERIVANTI DA INCENDIO ELETTRICO:

- NON posizionare i cavi elettrici contro spigoli vivi.
- NON fare passare i cavi elettrici attraverso o in vicinanza di elementi in movimento.
- NON fare passare i cavi elettrici attraverso o in vicinanza di elementi che si riscaldano a temperatura elevata.
- Quando si installano i cavi elettrici evitare i punti di pinzatura e di consumo/abrasione.

PER EVITARE LESIONI E DANNI MATERIALI:

- Prestare attenzione quando si spostano o riposizionano comandi del veicolo per evitare di compromettere il funzionamento sicuro dell'ATV. Scegliere una posizione di montaggio che lasci spazio sufficiente per tutti i comandi del veicolo.
- Prima di fissare il cavo dell'interruttore con fascette di legatura, accertarsi che le barre possano spostarsi sull'intero arco di movimento.

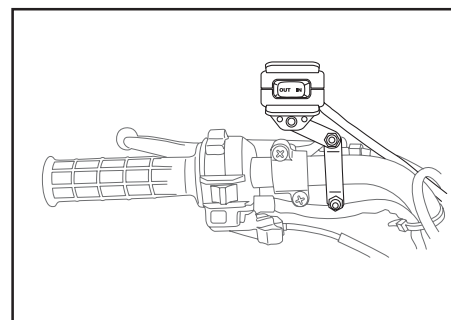
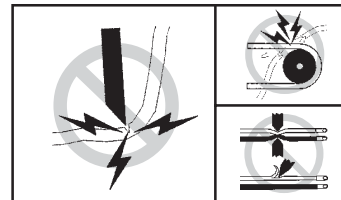


Figura 6: montaggio della barra. Posizionamento preciso a bilanciere potrà variare secondo la marca e il modello dell'ATV.

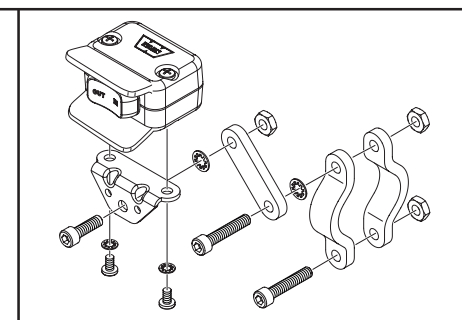


Figura 7: Il gruppo dell'interruttore miniaturizzato.

- Si consiglia di installare l'interruttore sulla barra di sinistra. Un tratto di nastro da elettricista avvolto attorno alla barra impedirà la rotazione dell'elemento di montaggio sulla barra stessa.
- Non serrare nessun tubo flessibile o cavo.
- Una volta che l'interruttore a barra è stato montato, passare indietro i due cavi con terminale a ferretto per portarli alla posizione in cui si monterà il contattore. Giuntare l'estremità del cavo rosso di diametro 20 a un circuito ausiliare dell'ATV comandato a chiave (usare il giunto di filo in dotazione). Individuare un filo idoneo dell'interruttore a chiave dell'ATV usando una spia luminosa di test Il filo dovrebbe essere alimentato solo quando la chiave è sulla posizione "ON" (acceso).

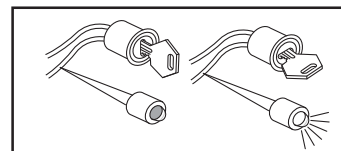


Figura 8: uso di spia luminosa da test per individuare il filo adatto.



## Fase cinque: Installazione della presa per il comando a distanza (opzionale per l'RT/XT15)

### ⚠ AVVERTENZA



PER EVITARE LESIONI GRAVI O MORTE DERIVANTI DA ESPLOSIONE:

- Non praticare fori nel serbatoio del carburante.
- Prima di praticare fori, controllare che l'area da trapanare per il montaggio sia pulita.

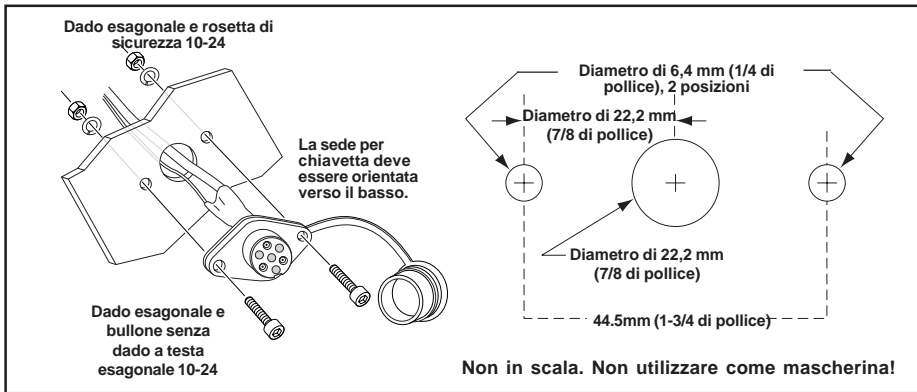


Figura 9: installazione della presa per il comando a distanza.

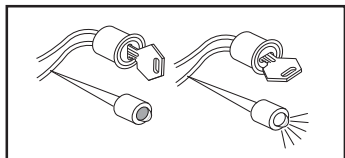


Figura 10: uso di spia luminosa da test per individuare il filo adatto.

- Dopo avere stabilito la posizione di montaggio per la presa del comando a distanza, praticare tre fori e installare. (vedere la figura 9).
- Una volta che la presa del comando a distanza è stata montata, passare indietro i due cavi con terminale a ferretto per portarli alla posizione in cui si monterà il contattore. Giuntare l'estremità del cavo rosso di diametro 20 a un circuito ausiliare dell'ATV comandato a chiave (usare il giunto di filo in dotazione). Individuare un filo idoneo dell'interruttore a chiave dell'ATV usando una spia luminosa di test. Il filo dovrebbe essere alimentato solo quando la chiave è sulla posizione "ON" (acceso).

**NOTA:** se si installano entrambi gli interruttori, tutti e due i fili rossi di diametro 20 dovranno essere giunti a un conduttore comandato dalla chiave dell'ATV, come descritto sopra.

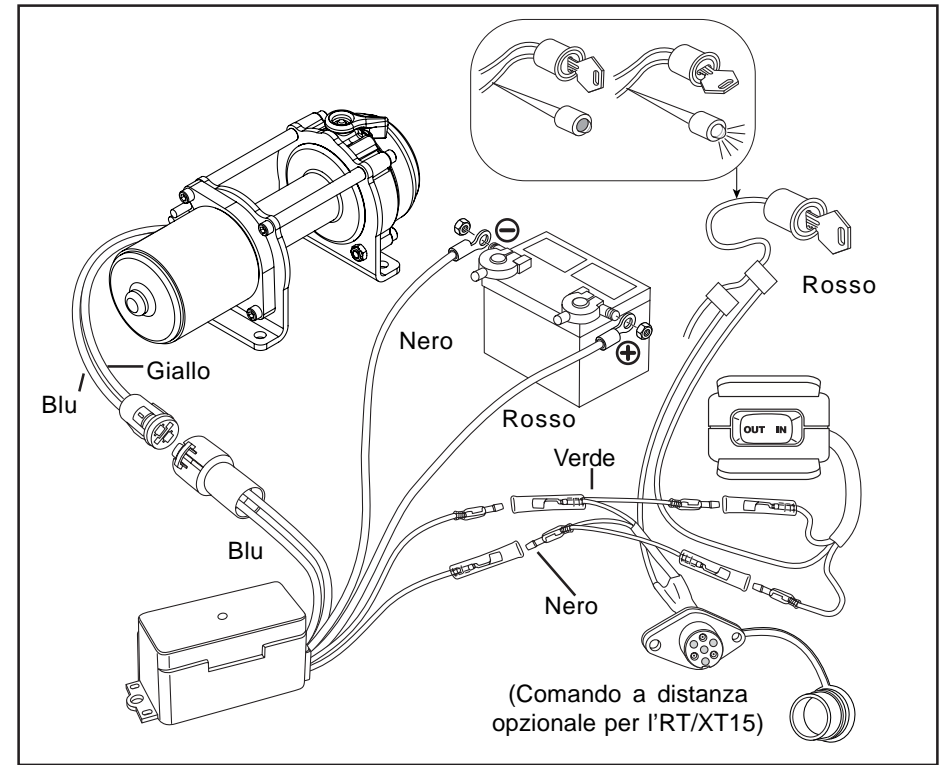


Figura 11: schema d'installazione dei cavi

## Fase sei: Cablaggio

### ⚠ ATTENZIONE

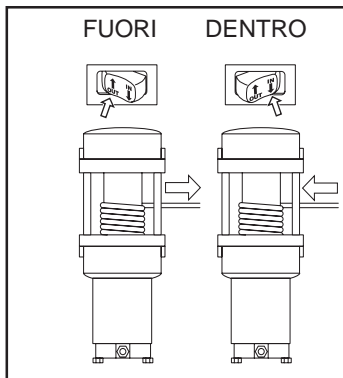
- Fare passare i cavi provenienti dal verricello lungo il telaio verso la colonna dello sterzo del veicolo. Il contattore deve essere installato nel punto più pulito e asciutto dell'ATV. Il contattore dovrà anche essere situato in modo che i fili dell'interruttore sulla barra lo raggiungano.
- Fissare il contattore con un bullone di 1/4 di pollice (0,64 cm) e una fascetta o con due fascette. Il contattore deve essere fissato a entrambi i lati.
- Quando si installano entrambi gli interruttori a barra e la presa per il comando a distanza, collegare i terminali verde e nero dei fili della presa al contattore (verde con verde e nero con nero). Successivamente, collegare i terminali dei fili dell'interruttore a barra ai connettori a Y sul cablaggio della presa per il comando a distanza, dopo avere rimosso il parapolvere.

- Quando si installa solamente l'interruttore a barra, collegare i terminali dei fili verde e nero dell'interruttore direttamente ai terminali sul contattore.
- Quando possibile, passare il cavo di alimentazione del verricello (rosso) e quello di terra (nero) a fianco dei cavi esistenti dell'ATV sotto il sedile e nell'area della batteria. Accertarsi che i conduttori non vengano pinzati quando si rimonta il sedile.
- Accertarsi che i cavi non passino su spigoli vivi, vicino a parti in movimento o vengano in contatto con elementi che possono raggiungere una temperatura elevata.
- Prima di completare il montaggio dell'ATV, fissare i cavi lenti con fascette o nastro da elettricista.

## Fase sette: controllo del sistema

Prima di usare il verricello, verificare quanto segue:

- Le connessioni dei vari elementi sono corrette. Tutti i cavi lenti sono stati fissati con fascette di legatura.
- Non ci sono cavi esposti in corrispondenza dei terminali. Coprire eventuali punti esposti con protezioni per terminale, tubi restringibili a caldo o nastro da elettricista.
- Girare l'interruttore a chiave dell'ATV sulla posizione ON (accesso). Controllare che il funzionamento del verricello sia corretto. La fune metallica dovrebbe avvolgersi e svolgersi nella direzione indicata sull'interruttore.



## ⚠ ATTENZIONE

### IMPARARE A CONOSCERE IL VERRICELLO:

- **Dedicare il tempo necessario per conoscere a fondo il verricello e il suo funzionamento studiando la Guida di base alle tecniche di sollevamento con verricello inclusa con il prodotto.**

## Assistenza

Se ci si trova in difficoltà durante l'installazione o con l'uso del verricello, seguire i punti seguenti per risolvere il problema:

1. Per istruzioni riferirsi alle istruzioni per l'installazione e guida per l'operatore. La documentazione contiene informazioni dettagliate su come installare e usare il verricello in condizioni di sicurezza. In essa è inclusa anche la distinta dei pezzi e lo schema di montaggio. Se non si riesce a risolvere il problema passare alla fase 2.

2. Mettersi in contatto con il rivenditore presso il quale si è acquistato il verricello. Se, dopo aver discusso del problema con gli incaricati dell'assistenza del rivenditore, non si è ancora corretto il problema, passare alla fase 3.
3. Mettersi in contatto con un Centro autorizzato di assistenza WARN scegliendolo dall'elenco fornito sul lato posteriore del foglio di garanzia allegato al prodotto. Quando si chiama si dovranno avere le seguenti informazioni a portata di mano: numero di modello del verricello e data di acquisto, marca, modello e anno dell'ATV.
4. Se il problema non è risolto in modo soddisfacente, mettersi in contatto con l'assistenza clienti di Warn Industries al numero: 1-800-543-9276. Quando si chiama si dovranno avere le seguenti informazioni a portata di mano: numero di modello del verricello e data di acquisto, marca, modello e anno dell'ATV. Ci si può mettere in contatto con Warn Industries anche visitando il nostro sito Web all'indirizzo: [www.warn.com](http://www.warn.com).

## Garanzia

Per informazioni, vedere il foglio con la garanzia accluso al verricello.

## Codici dei pezzi di ricambio

Informazioni per l'ordinazione: è possibile ottenere i pezzi di ricambio presso il concessionario o distributore locale.

Codice pezzo	Denominazione
PN 69336	gruppo fune metallica, 5/32 di pollice x 50 piedi (0,16 cm x 15,2 m) <sup>1</sup>
PN 69344	verricello a motore, RT/XT15, grigio
PN 69281	contattore, RT/XT15
PN 64849	comando a distanza, 10 piedi (3 m)
PN 62258	presa del comando a distanza
PN 28929	kit guida a rullo
PN 28930	kit guida a cubia
PN 39557	gancio, perno di chiusura 5/16 di pollice (0,79 cm) con cinghia
PN 38293	cinghia, gancio
PN 69206	kit interruttore miniaturizzato, 19 pollici (48,3 cm) unipolare

La distinta soprastante contiene i pezzi di ricambio più comunemente richiesti. È inoltre disponibile una distinta completa dei pezzi di ricambio e di manutenzione. Rivolgersi al concessionario WARN locale o visitare il sito Web: [www.warn.com](http://www.warn.com)

# Varoitukset ja varo-ilmoitukset



Lukiessasi näitä ohjeita näet huomautuksia ja varoituksia, jotka on merkitty otsikoilla VAROITUS, VARO, HUOMIO ja HUOMAUTUS. Kullakin viestityypillä on oma tietty tarkoituksensa. VAROITUS-ilmoitukset ilmoittavat mahdollisesti vaarallisesta tilanteesta, joka voi aiheuttaa vakavan vamman, jos sitä ei vältetä. VARO-ilmoitukset ilmoittavat mahdollisesti vaarallisesta tilanteesta, joka voi aiheuttaa lievän tai kohtalaisen vamman, jos sitä ei vältetä. VARO-ilmoitusta voidaan käyttää varoittamaan myös vaarallisista toimenpiteistä. VARO- ja VAROITUS-ilmoitukset tunnistavat vaaran, kertovat kuinka se voidaan välttää ja mikä on mahdollinen seuraus, jos vaaraa ei vältetä. HUOMIO-ilmoitukset on tarkoitettu omaisuusvahinkojen välttämiseksi. HUOMAUTUKSET ovat lisätietoja, jotka auttavat toimenpiteen suorittamisessa. **TYÖSKENTELE TURVALLISESTII!**

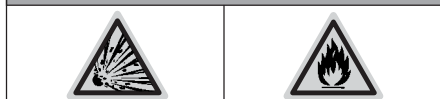


## LIIKKUVIA OSIA – PURISTUKSIIN JÄÄMISEN VAARA

Näiden ohjeiden laiminlyönti voi aiheuttaa vakavan vamman tai kuoleman.

Käsien ja sormien vammautumisen estämiseksi:

- Pidä aina kädet poissa vaijerista, koukun silmukasta, koukun ja ohjainrullan aukosta asennuksen, käytön ja sisään- ja uloskelauksen aikana.
- Ole äärimmäisen varovainen koukkuja ja vaijeria käsitellessäsi kelaustoimenpiteiden aikana.
- Käytä aina toimitettua koukkuhihnaa, kun kelaat vaijeria sisään tai ulos asennuksen tai käytön aikana.
- Pidä ajoneuvo aina näkyvissä vinsaussuksen aikana.
- Käytä paksuja nahkakäsineitä vaijeria käsitellessäsi.



## KEMIKAALI- TAI PALOVAARA

Näiden ohjeiden laiminlyönti voi aiheuttaa vakavan vamman tai kuoleman.

- Riisu korusi ja käytä silmiensuojainta.
- Älä koskaan seiso akun yli kumartuneena kytkentää tehdessäsi.
- Varmista, että porausalueella ei ole polttonestejohtoja, polttoainesäiliöitä, jarruputkia, sähköjohtoja tms.
- Älä koskaan vedä sähköjohtoja
  - terävien reunojen ylitse
  - liikkuvien osien kautta tai lähelle
  - kuumentuvien osien lähelle
- Eristä ja suojaa kaikki näkyvillä olevat johdot ja sähköliittimet.
- Asenna liittinsuojukset asennusohjeiden mukaan.



## LIIKKUVIA OSIA – PURISTUKSIIN JÄÄMISEN VAARA

Ohjeiden laiminlyönti voi aiheuttaa lievän tai kohtalaisen vamman.

- Pidä kauko-ohjain aina poissa kelasta, vaijerista ja kiinnityksestä. Tarkasta vintturi murtumien, puristumien, kuluneiden vaijerien tai löysien liittäntöjen varalta. Vaihda kauko-ohjain, jos se on vaurioitunut.
- Käyttäessäsi kauko-ohjainta ajoneuvon sisällä, vie se aina ikkunan kautta sisään, jotta vältät johdon likistymisen oven väliin.
- Älä milloinkaan jätä kauko-ohjainta paikkaan, jossa se voi käynnistyä, kun kelaat kytkin vapaalla, kiinnität vaijeria tai kun vintturi ei ole käytössä.



## LIIKKUVIA OSIA – PURISTUKSIIN JÄÄMISEN VAARA

Ohjeiden laiminlyönti voi aiheuttaa lievän tai kohtalaisen vamman.

Yleisturvallisuus:

- Tunne aina vintturin ominaisuudet: Käytä aikaa Asennusoppaan ja Vinssaustekniikoiden perusoppaan lukemiseen, jotta ymmärrät, miten vintturi toimii.
- Älä koskaan käytä tätä vintturia, jos olet alle 16 vuoden ikäinen.
- Älä koskaan käytä tätä vintturia, jos olet huumausaineiden, alkoholin tai lääkkeiden vaikutuksen alainen.
- Älä milloinkaan ylitä tuotetiedoissa mainittua vintturin tai vaijerin kapasiteettia. Kaksoisvaijerin käyttö avopylpyrjän kanssa pienentää vintturin kuormaa.
- Älä koskaan käytä vintturia tai vaijeria hinaamiseen.
- Asennusturvallisuus:
  - Valitse aina kiinnityspaikka, joka on tarpeeksi vahva kestämään vintturin maksimivetokapasiteetin.
  - Käytä aina tehtaan hyväksymiä kiinnittimiä, osia ja lisävarusteita.
  - Käytä aina luokan 5 tai sitä parempia kiinnittimiä.
  - Älä milloinkaan hitsaa kiinnityspultteja.
  - Ole aina varovainen käyttäessäsi pultteja, jotka ovat pitempiä kuin tehtaan toimittamat pultit. Liian pitkät pultit voivat vaurioittaa alustaa tai estää vintturin turvallisen kiinnittämisen.
  - Asenna aina vintturi ja kiinnität koukku vaijerin silmukkaan ennen kuin yhdistät sähköjohdot.
  - Sijoita aina ohjain niin että VAROITUS-tarra on sen päällä.
  - Kelaa aina vaijeri kelalle vintturissa tai dokumenteissa olevan vintturin varoitustarran osoittamaan suuntaan. Se on tarpeen, jotta automaattijarru toimii asiaankuuluvasti.
  - Venytä aina vaijeri ja kela se uudelleen kuormitettuna ennen käyttöä. Vaijerin kelaaminen tiukkaan vähentää vaijeria vaurioittavan "takertelun" mahdollisuutta.



## LIIKKUVIA OSIA – PURISTUKSIIN JÄÄMISEN VAARA

Ohjeiden laiminlyönti voi aiheuttaa lievän tai kohtalaisen vamman.

- Tarkasta aina vaijeri, koukku ja raksit ennen vintturin käyttöä. Vaurioituneet osat on vaihdettava uusiin ennen käyttöä. Suojaa osat vaurioitumiselta.
- Älä koskaan pidä kauko-ohjainta liitettyinä vintturiin, kun kelaat kytkin vapaalla, kiinnität vaijeria tai vintturi on joutilaana.
- Älä koskaan kiedo vaijeria takaisin itseensä kiinni. Tämä vahingoittaa vaijeria.
- Käytä aina kiinnityskohdassa juontoketjua, juontovaijeria tai puunsuojasta.
- Poista aina kaikki esteet tai muut kohteet, jotka voivat estää vintturin turvallisen toiminnan.
- Käytä aina tarpeeksi aikaa vaijerin kiinnittämiseen vintturilla vetoa varten.
- Varmistaudu aina, että valitsemasi kiinnityskohta kestää kuormituksen ja hihna tai ketju ei luiskahda pois paikoiltaan.
- Älä koskaan kytke kytkintä päälle tai irti, jos vintturi on kuormituksen alainen, vaijeri on jännitetty tai kela liikkuu.
- Älä koskaan käytä vintturia, jos kelalla ei ole vähintään 5 kierrosta vaijeria. Vaijeri voi irtautua kelasta.
- Älä koskaan koske vaijeriin tai koukkuun vaijerin ollessa jännittyneenä tai kuormituksen alainen.
- Älä koskaan koske vaijeriin tai koukkuun toisen henkilön käyttäessä ohjauskytkintä tai vinsaussuksen aikana.
- Pysy aina poissa vaijerin ja kuorman läheltä ja pidä myös muut henkilöt loitolla vinsaussuksen aikana.
- Ole aina tietoinen ajoneuvon ja kuorman tasapainosta vinsaussuksen aikana. Varoita kaikkia sivullisia epävakaa tilanteesta.
- Älä koskaan käytä vintturia kuljetettavan kuorman sitomiseen.



## VARO



### VIILTO- JA PALOHAAVOJEN VAARA

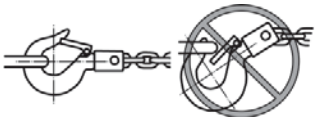
Ohjeiden laiminlyönti voi aiheuttaa lievän tai kohtalaisen vamman.

Käsien ja sormien vammautumisen estämiseksi:

- Käytä paksuja nahkakäsineitä vaijeria käsitellessäsi.
- Älä anna vaijerin milloinkaan luisua käsiesi kautta.
- Muista aina, että vintturin moottorin, kelan tai vaijerin pinta voi olla kuuma vintturin käytön aikana tai sen jälkeen.



## VARO



### LIIKKUVIA OSIA – PURISTUKSIIN JÄÄMISEN VAARA

Ohjeiden laiminlyönti voi aiheuttaa lievän tai kohtalaisen vamman.

- Käytä aina koukkua, jossa on salpa.
- Varmista aina, että koukun salpa on suljettu ja että kuorma ei ole sen varassa.
- Älä kohdistu kuormitusta milloinkaan koukun kärkeen tai salpaan. Kohdistu kuormitus vain koukun keskikohtaan.
- Älä käytä milloinkaan koukkua, jonka kannan väli on suurentunut tai jonka kärki on taipunut tai kierossa.



## VAROITUS



### PUTOAMISEN TAI MURSKAUTUMISEN VAARA

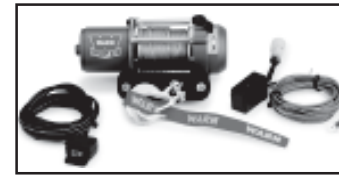
Näiden ohjeiden laiminlyönti voi aiheuttaa vakavan vamman tai kuoleman.

- Älä koskaan käytä vintturia nostamaan tai siirtämään henkilöitä.
- Älä koskaan käytä vintturia nosturina pään yläpuolella tai riiputtamaan kuormaa.

## HUOMIO

### VÄLTÄ VINTTURIN JA LAITTEISTON VAURIOITUMISTA

- Vältä aina jatkuvia sivuvetoja, jotka voivat pinota vaijeria kelan toiseen päähän. Tämä voi vaurioittaa vaijeria tai vintturia.
- Varmista aina että kytkin on kytketty täysin päälle tai täysin irti.
- Älä koskaan käytä vintturia hinaamaan muita ajoneuvoja tai esineitä. Äkkikuormitus voi hetkellisesti ylittää vaijerin ja vintturin kapasiteetin.
- Vältä aina vaijerin kelaamista ulos pitkälle. Se aiheuttaa vintturin moottorin ja jarrun liiallista kuumentumista ja kulumista.
- Varo aina, ettet vaurioita ajoneuvon runkoa, kun käytät ajoneuvoa kiinnityskohteena vinssaustoiminnon aikana.
- Älä koskaan sysää kuormituksen alaista vaijeria. Äkkikuormitus voi hetkellisesti ylittää vaijerin ja vintturin kapasiteetin.
- Älä koskaan käytä vintturia kuljetettavan kuorman sitomiseen.
- Älä koskaan upota vintturia veteen.
- Säilytä kauko-ohjain aina suojatussa, puhtaassa ja kuivassa paikassa.
- Käytä aina kaksoisvaijeria tai etäistä kiinnityspistettä vaijeria kiinnittäessäsi. Tämä maksimoi vetovoiman ja estää vintturin liiallisen kuormittamisen.



Kuva 1. WARN RT/XT15 -vintturisarja

## Tekniset tiedot

Osanumero: PN 78000 (RT15); PN 78500 (XT15)

Nimellinen vetokyyky: 680 kg, yksi vaijeri

Moottori: 12 V (tasavirta), 0,3 kW, kestopagneetti

Ohjaus: Ohjaustankoon kiinnitettävä pienoiskeinukytkin

Hammaspyörästö: 3-vaiheinen planeettapyörästö

Välityssuhde: 103:1

Kytkin (vapaalla kelaus): Ohjausnokan käyttämä

Jarru: Mekaaninen jarru vakiovarusteena

Rummun läpimitta/pituus: 3,8 cm/7,6 cm

Paino: 5,2 kg

Vaijeri: 15 m, läpimitta 4 mm

Ohjain: Hawse

Suosittu akku: Vähintään 12 ampeerituntia vinssaukseen

Akun johtimet: 10 gage

Käyttöjako: ajoittainen

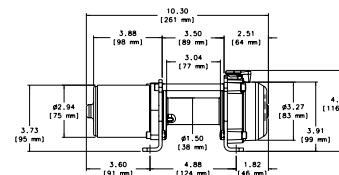
Pintakäsittely: harmaa

### Suorituskykytiedot

Vaijerin veto kg	Vaijerin nopeus m/min	Moottorin virta A
0	4,6	6
227	3,3	27
455	2,1	44
680	1,5	65

Edellä olevat suorituskykytiedot perustuvat rummun ensimmäiseen kerrokseen.

Vetoteho kg,	Vaijerikerros
680	1:nen
599	2:nen
527	3:s



Kuva 2. Vintturin mitat: 26 cm pit. x 10 cm syv. x 11 cm kor.

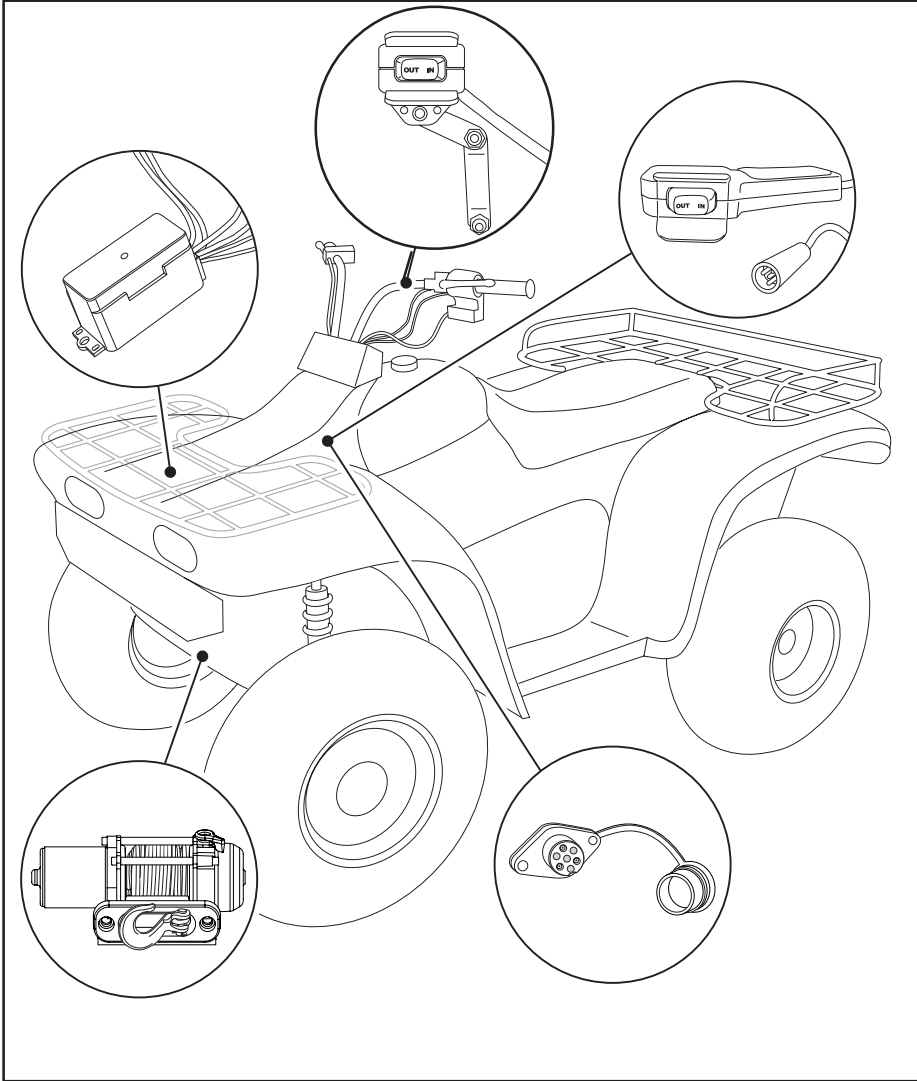


## VARO

Jotta estät vintturin vahingossa tapahtuvan käynnistyksen ja vakavan loukkaantumisen, suorita vintturin asennus ja kiinnitä koukku ennen johtimien asentamista.

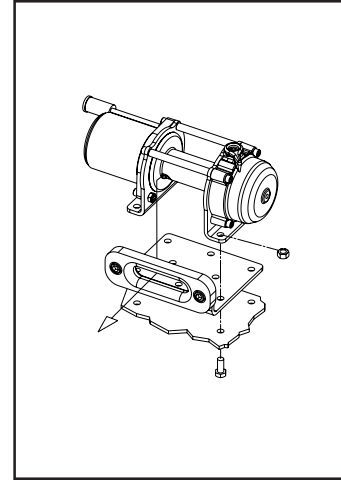
## Turvallisuus

Kun asennat maastoajoneuvovintturijärjestelmän, lue kaikki kiinnitys- ja turvallisuusohjeet ja noudata niitä. Ole aina varovainen sähkölaitteiden parissa työskennellessäsi ja muista varmistaa, ettei sähköliitäntöjä ole paljaina, ennen kuin kytket virran vintturiin.



Kuva 3. Koko sarjan asentaminen vaatii vintturin, kontaktorin ohjaustankoon kiinnitettävän pienoiskeinukytkimen ja kauko-ohjaimen pistorasian (lisävaruste RT/XT15-vintturissa) kiinnittämisen. Kiinnityskohta voi vaihdella maastoajoneuvon merkin ja mallin mukaan. Lue seuraavat ohjeet ja varmista, että ymmärrät ne, jotta voit valita tarkoituksenmukaiset kiinnityskohdat.

## WARNin kiinnityslevyjen käyttämistä suositellaan



Kuva 4. Vintturin suunta kiinnityslevyyn nähden.

## Vaihe 2: Vintturin kiinnitys

Lähes kaikkiin maastoajoneuvokohteisiin sopivia maastoajoneuvovintturin kiinnityssarjoja on saatavana Warnin tuotteita myyvistä liikkeistä. Tietoja saatavana olevista sarjoista saa ottamalla yhteyden WARNin tuotteita myyvään liikkeeseen.

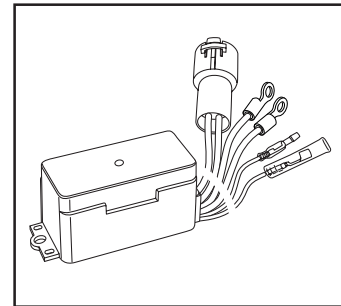
Käytä vintturin kiinnitykseen aina seuraavia osia:

- Tasainen tukeva kiinnityskohta, vähintään 4,8 mm paksua terästä
- 5/16 - 18 Nyloc-mutteria
- Käytettävä mukana toimitettuja 5/16-18 x 1 tuuman., luokan 5 kuusiokantaruuveja. Käytä 5/16 - 18 x 3/4 ruuveja, jos kiinnityksessä on käytetty yhdysrakenteista ohjaimen kiinnitystä.
- Kiristä kiinnityspultit 1,7 kg-m:n tiukkuuteen.

Kiinnitä haarukan koukku vaijeriin tässä vaiheessa.

- Aseta kytkin vapaalle.
- Syötä vaijerin silmukka käsin ohjaimen läpi.
- Kiinnitä koukku vaijerin silmukkaan ja kytke kytkin uudestaan päälle.

## Vaihe 3: Kontaktorin sijoituspaikka

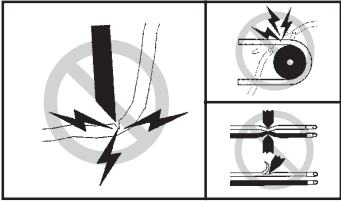


Kuva 5. WARNin maastoajoneuvovintturin RT/XT15 kontaktorit.

- Kontaktori on vintturijärjestelmän tärkein varmistuslaite. Se irrottaa vintturin virtalähteestä, kun maastoajoneuvo ei ole käytössä. Kontaktori on asennettava oikein, jotta se toimisi asianmukaisesti.
- On suositeltavaa, että kontaktori kiinnitetään mahdollisimman puhtaaseen ja kuivaan paikkaan. Täsmällinen paikka vaihtelee maastoajoneuvon mukaan.

## Vaihe 4: Kiinnitä ohjaustangon kytkin

### VAROITUS

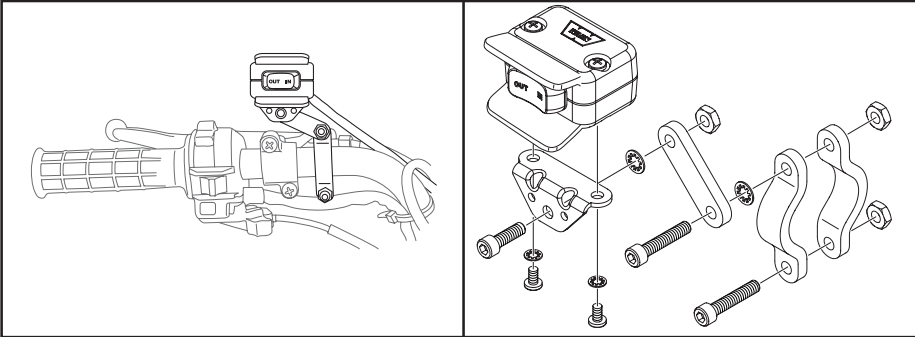


SÄHKÖPALON AIHEUTTAMAN VAKAVAN TAPATURMAN TAI KUOLEMAN ESTÄMINEN:

- ÄLÄ asenna sähköjohtoja terävien reunojen päälle.
- ÄLÄ asenna sähköjohtoja liikkuvien osien läpi tai lähelle.
- ÄLÄ asenna sähköjohtoja kuumien osien läpi tai lähelle.
- Vältä sähköjohtojen asentamista puristumista, kulumista tai hankautumista aiheuttaviin kohtiin.

TAPATURMIEN JA OMAISUUSVAHINKOJEN VÄLTÄMINEN:

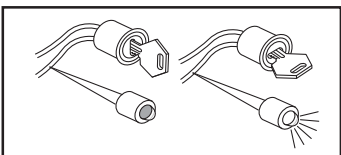
- Noudata varovaisuutta, kun liikutat tai siirrät ajoneuvon ohjaislaitteita, jotta et vaaranna maastoajoneuvon turvallista käyttöä. Valitse kiinnityskohta, joka ei rajoita ajoneuvon ohjaislaitteiden liikkumisvaraa.
- Ennen kuin kiinnität kytkinkaapelin lujasti nippusiteillä varmista, että ohjaintangot pääsevät liikkumaan täysin.



Kuva 6. Kiinnitys ohjaustankoon. Täsmällinen sijainti voi vaihdella maastoajoneuvon merkin ja mallin mukaan.

Kuva 7. Pienoiskeinukytinkokonaisuus.

- Kytkin suositetaan asennettavaksi vasemmanpuoleiseen ohjaustankoon. Ohjaustangon ympärille kierretyllä sähköteipillä estetään ohjaustangossa sijaitsevan pidikkeen pyöriminen.
- Vältä letkujen tai johtojen kiristämistä.
- Kun ohjaustangon kytkin on kiinnitetty, vedä molemmat luotiliitinjohtimet takaisin kohtaan, johon kontaktori kiinnitetään. Liitä punaisen 20 gagen paksuisen johtimen pää maastoajoneuvon avaimelliseen lisälaittepiiriin (käytä mukana tulevaa johdonliitosta). Paikanna koestuslampun avulla maastoajoneuvon avaimellisesta kytkimestä tuleva sopiva johdin. Johtimessa pitäisi olla virta ainoastaan silloin, kun avain on asennossa ON.



Kuva 8. Paikanna sopiva johdin koestuslampun avulla.

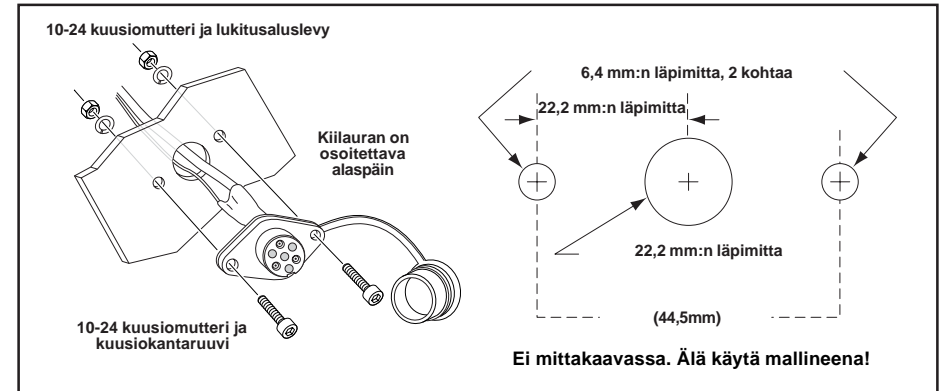
## Vaihe 5: Kauko-ohjaimen pistorasian asennus (lisävarusteena RT/XT15:ssä)

### VAROITUS

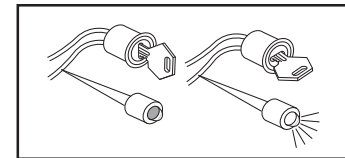


RÄJÄHDYKSEN AIHEUTTAMAN VAKAVAN TAPATURMAN TAI KUOLEMAN ESTÄMINEN:

- Älä lävistä bensiinisäiliötä poraamalla.
- Varmista ennen poraamista, että kiinnityspaikan takana oleva kohta on esteetön.



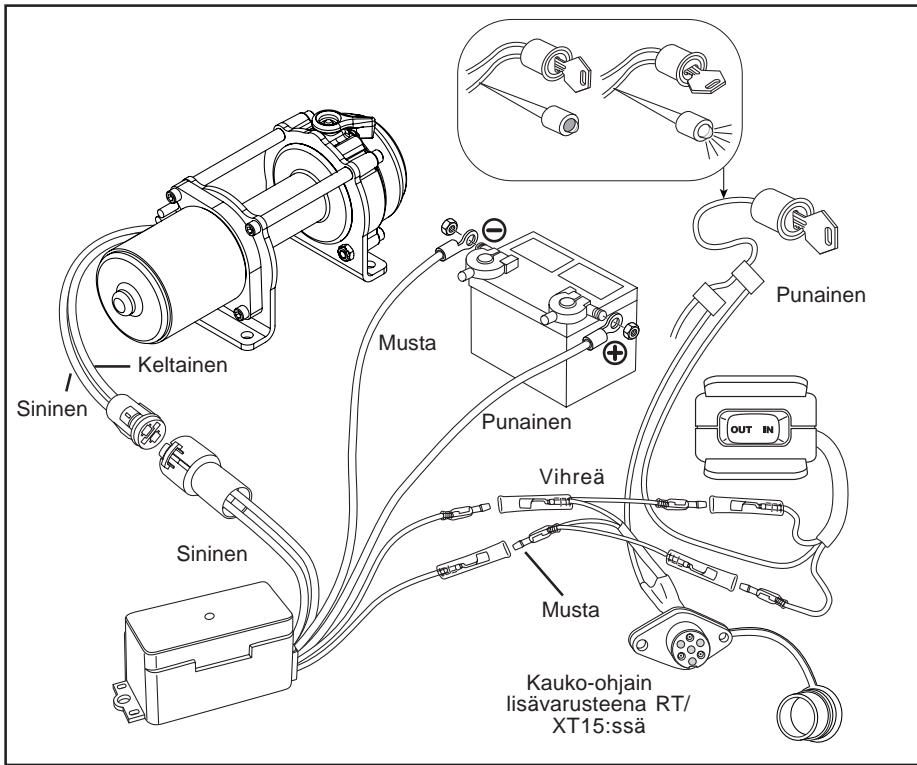
Kuva 9. Kauko-ohjaimen pistorasian asennus.



Kuva 10. Paikanna sopiva johdin koestuslampun avulla.

- Määritettyäsi kauko-ohjaimen pistorasian kiinnityspaikan poraa kolme reikää ja tee asennus. (ks. kuva 9).
- Kun kauko-ohjaimen pistorasia on kiinnitetty, vedä molemmat luotiliitinjohtimet takaisin kohtaan, johon kontaktori kiinnitetään. Liitä punaisen 20 gagen paksuisen johtimen pää maastoajoneuvon avaimelliseen lisälaittepiiriin (käytä mukana tulevaa johdonliitosta). Paikanna koestuslampun avulla maastoajoneuvon avaimellisesta kytkimestä tuleva sopiva johdin. Johtimessa pitäisi olla virta ainoastaan silloin, kun avain on asennossa ON (päällä).

**HUOMAUTUS:** Jos asennat molemmat kytkimet, molemmat 20 gagen paksuiset punaiset johtimet ON LIITETTÄVÄ maastoajoneuvon avaimelliseen johtimeen edellä kuvatulla tavalla.



Kuva 11. Johtotuskaavio

## Vaihe 6: Johtojen asennus

### VARO

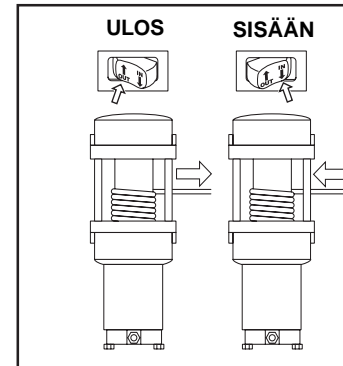
- Vedä johtimet vintturista runkoa myöten ajoneuvon ohjaustangon putkea kohti. Kontaktori on asennettava maastoajoneuvon puhtaimpaan ja kuivimpaan paikkaan. Kontaktori on myös sijoitettava siten, että ohjaustangon kytkimen johtimet ulottuvat kontaktoriin.
- Kiinnitä kontaktori lujasti  $\frac{1}{4}$  tuuman pultilla ja yhdellä tai kahdella siteellä. Kontaktori on kiinnitettävä kummaltakin puolelta.
- Jos asennat sekä ohjaustangon kytkimen että kauko-ohjaimen pistorasian, kiinnitä ensiksi kauko-ohjaimen pistorasian vihreän ja mustan johtimen liitin kontaktoriin (vihreä vihreään ja musta mustaan). Kiinnitä seuraavaksi ohjaustangon kytkimen johtimien liittimet kauko-ohjaimen johtosarjassa oleviin tähtiliittimiin poistettuasi ensiksi niiden suojuukset.

- Jos asennat ainoastaan ohjaustangon kytkimen, kiinnitä ohjaustangon kytkimen vihreän ja mustan johtimien liittimet suoraan kontaktoriin liittimiin.
- Vedä mahdollisuuksien mukaan vintturisarjan virtajohdin (punainen) ja maajohto (musta) maastoajoneuvon olemassa olevaa johtojen kulkureittiä pitkin istuimen alle ja akun sijaintipaikkaan. Varmista, että johdot eivät puristu, kun istuin asetetaan takaisin paikalleen.
- Varmista, että kaapelit eivät kulje terävien reunojen tai liikkuvien osien ylitse eivätkä kosketa mahdollisesti kuumentuvia osia.
- Kiinnitä irralliset johdot siteillä tai sähköteipillä ennen maastoajoneuvon lopullista kokoonpanoa.

## Vaihe 7: Järjestelmän tarkastus

Ennen kuin käytät vintturia, varmista seuraavat seikat:

- Varmista, että kaikkien osien johdotukset ovat oikein. Kaikki irralliset johtimet on sidottu tiukasti nauhoilla.
- Johtoja tai liittimiä ei ole jätetty paljaksi. Peitä kaikki paljaana olevat liittimet liittinsuojuksilla, kutistesukalla tai sähköteipillä.
- Käännä maastoajoneuvon avaimellinen kytkin asentoon ON (päällä). Tarkista vintturin asiaankuuluva toiminta. Vaijerin on kelauduttava sisään ja ulos kytkimeen merkittyyn suuntaan.



### VARO

#### TUNNE VINTTURISI:

- Varaa aikaa vintturin ja sen käytön täydelliseen ymmärtämiseen lukemalla vintturin mukana tuleva Vinssaustekniikoiden perusopas.

## Huolto

Jos kohtaavat jonkin ongelman vintturin asennuksen tai käytön aikana, ratkaise ongelma seuraavien toimenpiteiden mukaan:

1. Lue käyttöohje ja asennusohjeet. Niissä on kuvia ja yksityiskohtaisia tietoja vintturin asennuksesta ja turvallisesta ja oikeasta käytöstä. Ne sisältävät lisäksi varaosaluettelon ja kokoonpanokaavioita. Jos et pysty ratkaisemaan ongelmaa, siirry vaiheeseen 2.
2. Ota yhteyttä liikkeeseen, josta ostit vintturisi. Jos et vieläkään pysty ratkaisemaan ongelmaa keskusteltuasi siitä liikkeen varaosa- ja huoltohenkilöstön kanssa, siirry vaiheeseen 3.

3. Soita WARNin valtuutettuun huoltokeskukseen, joka on tuotteen mukana tulevan takuupaperin kääntöpuolella olevassa luettelossa. Kun soitat, valmistaudu antamaan seuraavat tiedot: vintturin mallinumero ja ostopäivä, maastoajoneuvon merkki, malli ja vuosi.
4. Jos et saa ongelmaa ratkaistua tyydyttävällä tavalla, soita Warn Industriesin asiakaspalveluun numerossa 1-800-543-9276 (vain Yhdysvalloissa). Kun soitat, valmistaudu antamaan seuraavat tiedot: vintturin mallinumero ja ostopäivä, maastoajoneuvon merkki, malli ja vuosi. Voit ottaa myös yhteyttä Warn Industriesiin sen WWW-sivuston kautta: [www.warn.com](http://www.warn.com).

## Takuu

Lue yksityiskohtaiset tiedot vintturin mukana tulevasta takuupaperista.

## Vaihto-osien numerot

Tilautiedot: osia saa paikallisen myyntiliikkeen tai maahantuojan kautta.

<b>Osan numero</b>	<b>Kuvaus</b>
PN 69336	Vaijerikokonaisuus, 4 mm x 15 m
PN 69344	Vintturimoottori, RT/XT15, harmaa
PN 69281	Kontaktori, RT/XT15
PN 64849	Kauko-ohjain, 3 m
PN 62258	Kauko-ohjaimen pistorasia
PN 28929	Rullaohjainsarja
PN 28930	Hawse-rullaohjainsarja
PN 39557	Koukku, 8 mm:n hihnallinen haarukkaluistokoukku
PN 38293	Hihna, koukku
PN 69206	Pienoiskytkinsarja, 48 cm SP

Edellä olevaan luetteloon sisältyvät kaikkein yleisimmin pyydetyt vaihto-osat. Täydellinen luettelo vaihto- ja varaosista on saatavissa. Tiedustele WARNin valtuuttamasta liikkeestä tai katso osoitteesta [www.warn.com](http://www.warn.com).