

INSTALLATION INSTRUCTIONS FOR MOUNTING KIT #295378 ON 2007 JEEP WRANGLER

Notice

Ramsey kits are designed for use with Ramsey Winches only.
Use or sale of kits for other winches or applications voids warranty.



Warnings

Ramsey offers mounting kits and winches for various vehicles. In crash tests on a limited number of automotive manufacturer's vehicles, winches/mounting kits, which have been properly mounted, have not interfered with air bag operation.

The user/customer, or their installer, must verify that the mounting kit does not interfere with the factory air bag sensors, which must not be relocated or modified in any way.

The user/customer should follow the vehicle manufacturer's recommendations and those of a qualified mechanic to determine if the winch/mounting kit might interfere with the air bag operation. The user/customer should then determine the suitability of a winch/mounting kit on a particular vehicle.

PLEASE BE ADVISED THAT THE VEHICLE'S AIR BAG SYSTEM MAY NOT OPERATE PROPERLY IF THE WINCH/MOUNTING KIT IS NOT INSTALLED IN COMPLIANCE WITH THE VEHICLE MANUFACTURER'S RECOMMENDATIONS.

DO NOT ATTACH TOW HOOK TO ANY PART OF THE MOUNTING KIT UNLESS INSTRUCTED TO DO SO.

DO NOT SUBSTITUTE ATTACHING HARDWARE ITEMS (BOLTS, NUTS, OR WASHERS).

READ AND UNDERSTAND WINCH OWNER'S MANUAL BEFORE INSTALLATION AND OPERATION OF WINCH. SEE WARNING AND CAUTIONS IN WINCH OWNER'S MANUAL.

IMPORTANT NOTES!

1. Right and left hand directions as if seated behind steering wheel.
 2. All fastening hardware should be loosely assembled until directed to tighten.
-



RAMSEY WINCH COMPANY

P.O. BOX 581510

TULSA, OKLAHOMA 74158

PHONE: (918) 438-2760 • FAX: (918)438-6888

<http://www.ramsey.com>

1. Remove plastic splash guard from underside of vehicle to access bumper bolts.



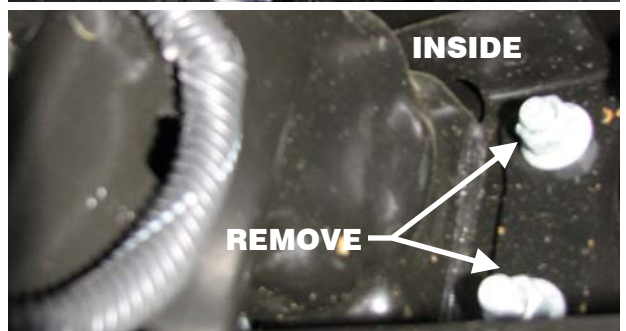
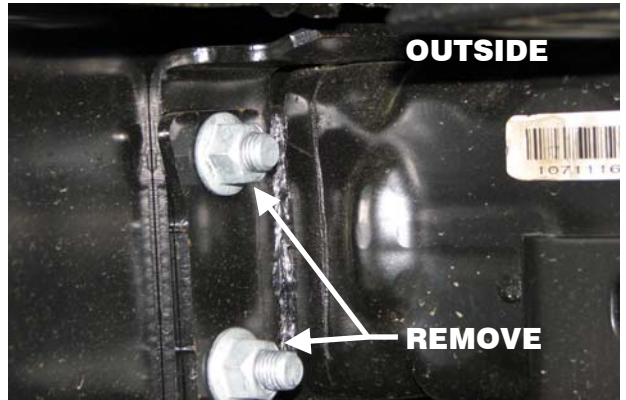
2. Disconnect driving lights.



3. Disconnect wire loom from bumper.



4. Remove vehicle bumper by removing four (4) 12mm factory nuts and two (2) factory spacers from each side of the frame.



5. Remove metal insert from the back side of the bumper by removing four (4) 10mm factory bolts.



6. Remove the factory tow hooks and discard.



7. Install mounting brackets (item #3) where factory tow hooks were located.



8. Install the metal insert to the back of the bumper with the four (4) 10mm factory bolts. Tighten the factory 10mm bolts.



9. Remove plastic trim piece below the grille and discard.

TRIM PIECE



10. Run the 3/8" nut extenders (item #4) through upper holes on ends of the frame.

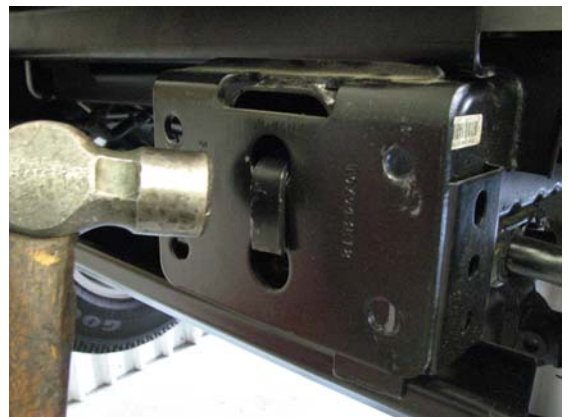


11. Install mounting channel onto vehicle (rear mounting holes only) using two (2) 3/8" bolts (item #7), 3/8" lock washers (item #6), and 3/8" nut extenders (item #4). Tighten bolts. (See chart on page 5 for proper torque values).

REAR MOUNTING HOLE



12. Bend end of the 3/8" nut extenders (item #4) downward.



13. Install fairlead and winch with hardware provided with winch. (See the owner's manual of the winch for instructions on installing the winch and fairlead.)

14. Install bumper using the four (4) factory spacer, eight (8) 7/16" nuts (item #9), and eight (8) 7/16" lockwashers (item #8).



15. Install the supplied tow hooks (item #2) on top of the mounting channel with two (2) 1/2" bolts (item #10) and two (2) 1/2" lockwashers (item #5) per tow hook.



16. Tighten all bolts and nuts at this time. (See chart on right for proper torque values.)

Torque Value Chart

Bolt Size	Torque, ft-lbs.	Torque, Nm
3/8	39	53
7/16	58	78

17. Plug driving lights in and reattach the wire loom to the rear of the bumper.

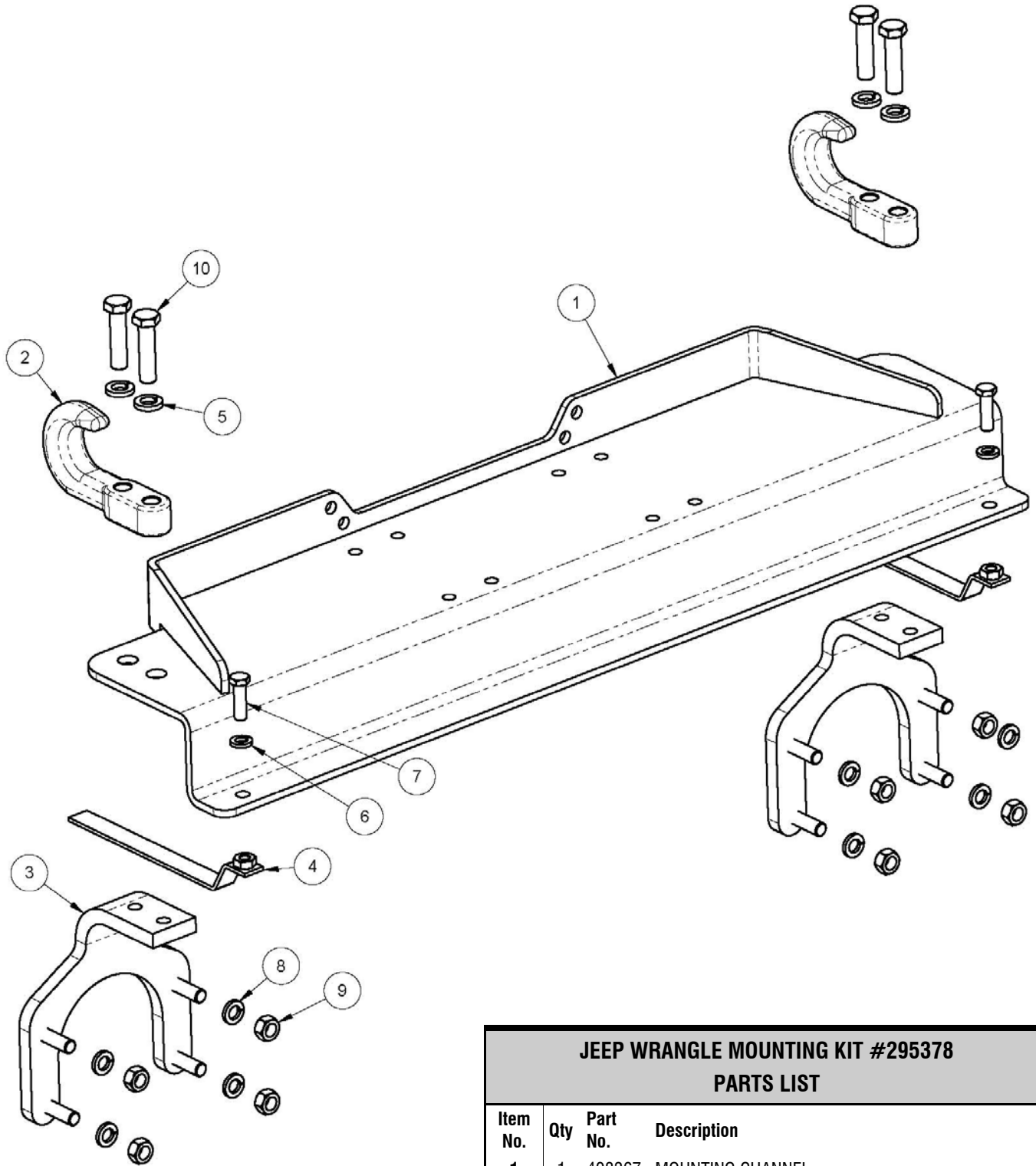


18. Install the plastic splash guard.



19. Make electrical connections according to the owner's manual of the winch.





**JEEP WRANGLE MOUNTING KIT #295378
PARTS LIST**

Item No.	Qty	Part No.	Description
1	1	408367	MOUNTING CHANNEL
2	2	448106	TOW HOOK
3	2	408369	BUMPER MOUNTING BRACKET
4	2	408371	NUT EXTENDER- 3/8"-16NC
5	4	418216	LOCKWASHER- 1/2"
6	2	418175	LOCKWASHER- 3/8"
7	2	414283	BOLT- 3/8"-16NC X 1.25 LONG, HEX HEAD, GRADE 8
8	8	418198	LOCKWASHER- 7/16"
9	8	418049	NUT- 7/16"-14NC HEX
10	4	414516	BOLT- 1/2"-13NC X 2 LONG, HEX HEAD, GRADE 8