



# Installation Instructions TrailMax™ II Pro Reclining High Back Bucket Seat

## Vehicle Application

•All Jeep CJ5s, CJ7s and Wranglers

1976 – 2002

Vinyl Seat

Part Number: 39450 (Right)

Part Number: 39451 (Left)

•All Jeep CJ5s, CJ7s and Wranglers

1976 – 2002



Cloth Seat



Part Number: 39460 (Right)

Part Number: 39461 (Left)

1997 – 2002 Vehicles must use Adapter Bracket Part Number 51256.

[www.Bestop.com](http://www.Bestop.com) - We're here to help! Visit our web site and click on "[Ask a Question](#)". Click here for more [Jeep Accessories by Bestop](#).

INSTALLATION TIME	SKILL LEVEL
 <b>1 Hour</b>	 <b>2 - Moderately Easy</b>

TOOLS	
 Wrench 13 mm	 Safety Glasses



### Installation Tips

Before you begin installing this assembly, read all instructions thoroughly.

#### For a smooth fit:

For ease in installation, the product should be installed at temperatures above 72° F. Below this temperature, the fabric may contract an inch or more, making it difficult to fit to the vehicle. It is normal for fabric to contract and wrinkle when stored in the shipping carton. Within a few days after the installation, the fabric will relax and the wrinkles will disappear.

**CAUTION** Safety glasses should be worn at all times while installing this product.

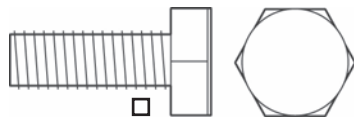
**WARNING** This product is designed primarily to enhance the appearance of the vehicle and to shield the occupants from ordinary weather conditions. Do not rely in any way on the components of this product to contain occupants within the vehicle, or to protect against injury or death in the event of an accident. This product will not protect the occupants from falling objects. Never operate the vehicle in excess of manufacturer's specifications.

### WEAR SEAT BELTS AT ALL TIMES

Read and follow, precisely, all installation instructions provided when installing product. Failure to do so may result in a poor fit and could place occupants of the vehicle in a potentially dangerous situation.

# TrailMax™ II Pro Reclining High Back Bucket Seat – Installation Instructions

## Parts List and Hardware Identification



M8-1.25x25 Bolt, Qty - 4



### CAUTION

Before beginning the seat installation, set the parking brake, place the vehicle in gear or park and chock the wheels to reduce the risk of the vehicle unexpectedly moving, which could result in serious injury.



### WARNING

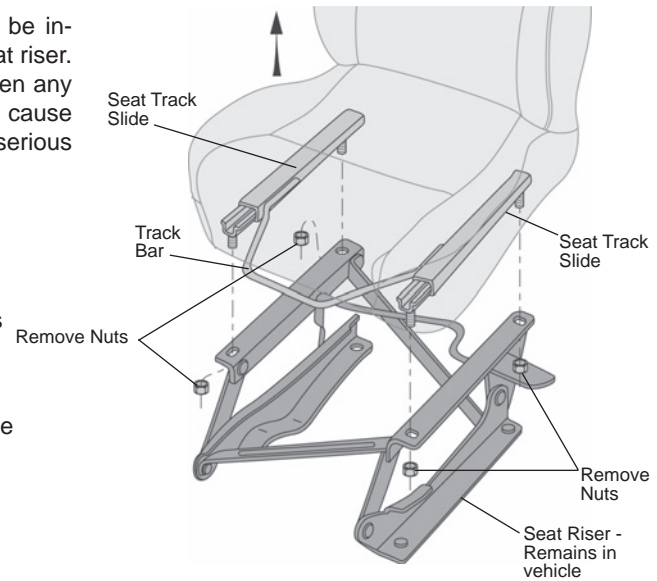
The seat is designed to be installed on the original seat riser. DO NOT remove or loosen any of the original seat riser anchor bolts. Doing so may cause improper anchoring of the seat, which could result in serious injury, to you and others.

## 1 Remove the Existing Seat from the Vehicle

Remove the four (4) nuts that mount the seat track slides to the riser. Do not throw away the four (4) nuts since they will be reused.

The nuts are under the ledge on the riser.

Then remove the bucket seat and track slides from the vehicle (the seat riser will remain in the vehicle).

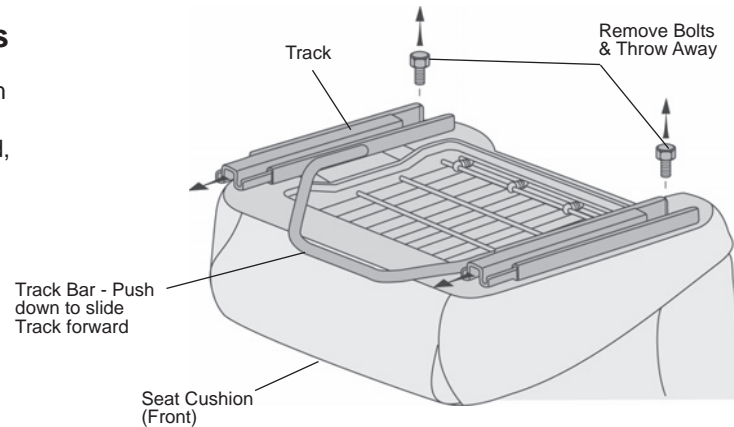


### WARNING

DO NOT reuse the original mounting bolts. Reuse of the bolts could cause the seat to loosen, which could result in loss of control of the vehicle, causing bodily injury to the vehicle occupants and to others.

## 2 Remove the Tracks

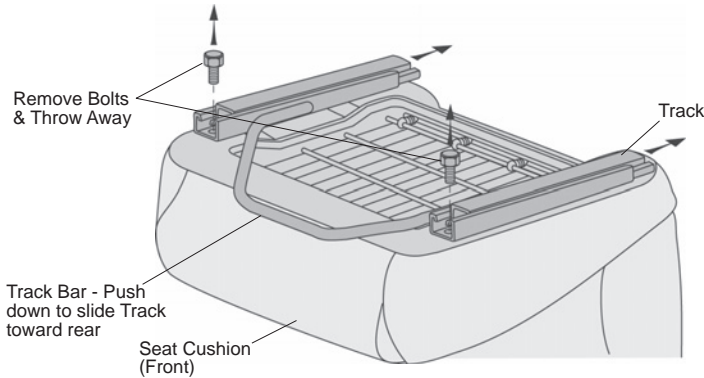
Lay the seat down with the bottom side facing up. Push down on the track bar to slide the track forward, allowing access to the rear track mounting bolts. Remove the bolts and discard them.



# TrailMax™ II Pro Reclining High Back Bucket Seat – Installation Instructions

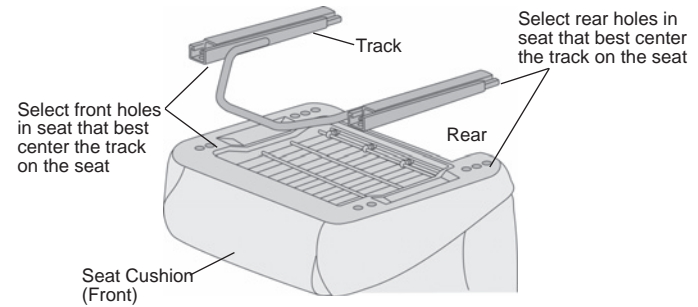
## 3 Remove the Tracks

Push down on the track bar again to slide the track toward the rear of the seat. Remove the front track mounting bolts and discard them. Do not throw away the tracks, they will be mounted to the Bestop seat.



## Hole Pattern

Your new Bestop seat has two (2) mounting holes on each side of the front and three (3) holes on each side of the rear. This allows tracks from various Jeep models to be used with the Bestop seat. Locate the correct mounting pattern by placing the track on the seat and positioning the track so that the four holes in the track align with four mounting holes in the seat, allowing the track to be positioned in the center of the seat.



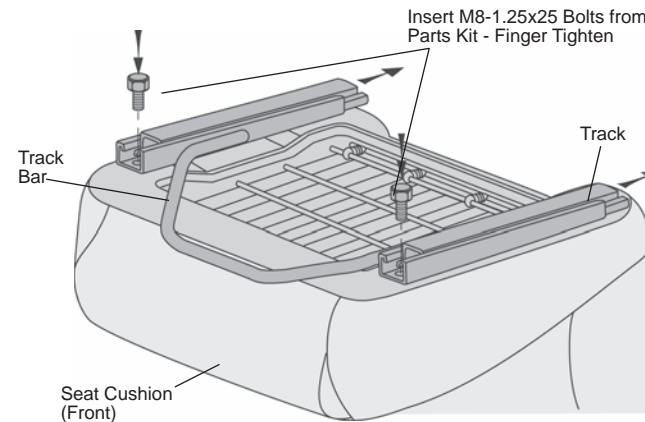
## ! WARNING

Use only the bolts provided in the Parts Kit when installing the new seat. Failure to do so may cause the seat to loosen, resulting in loss of control of the vehicle and causing serious bodily injury to the vehicle occupants and to others.

## 4 Install the tracks on the Bestop Seat

Lay the Bestop seat down with the bottom of the seat facing up. Select the hole pattern on the seat that applies to your vehicle.

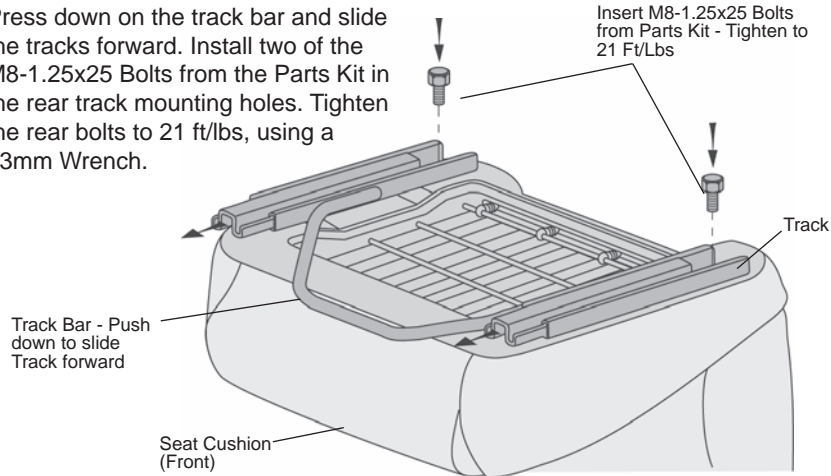
While the track slides to the rear of the seat, place the tracks onto the Bestop seat. Install two of the M8-1.25x25 Bolts from the Parts Kit in the front track mounting holes. Finger tighten the bolts.



# TrailMax™ II Pro Reclining High Back Bucket Seat – Installation Instructions

## 5 Install the tracks on the Bestop Seat

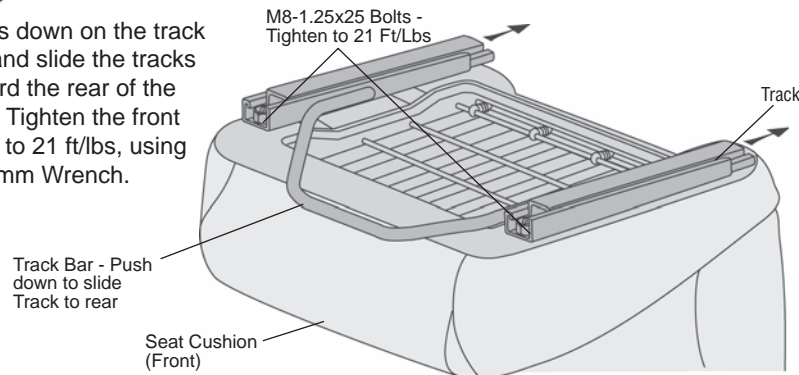
Press down on the track bar and slide the tracks forward. Install two of the M8-1.25x25 Bolts from the Parts Kit in the rear track mounting holes. Tighten the rear bolts to 21 ft/lbs, using a 13mm Wrench.



**! WARNING** Failure to tighten the bolts and nuts to the specified torque can result in the seat loosening, thereby causing serious bodily injury to the vehicle occupants and to others.

## 6 Tighten the Front Bolts

Press down on the track bar and slide the tracks toward the rear of the seat. Tighten the front bolts to 21 ft/lbs, using a 13mm Wrench.

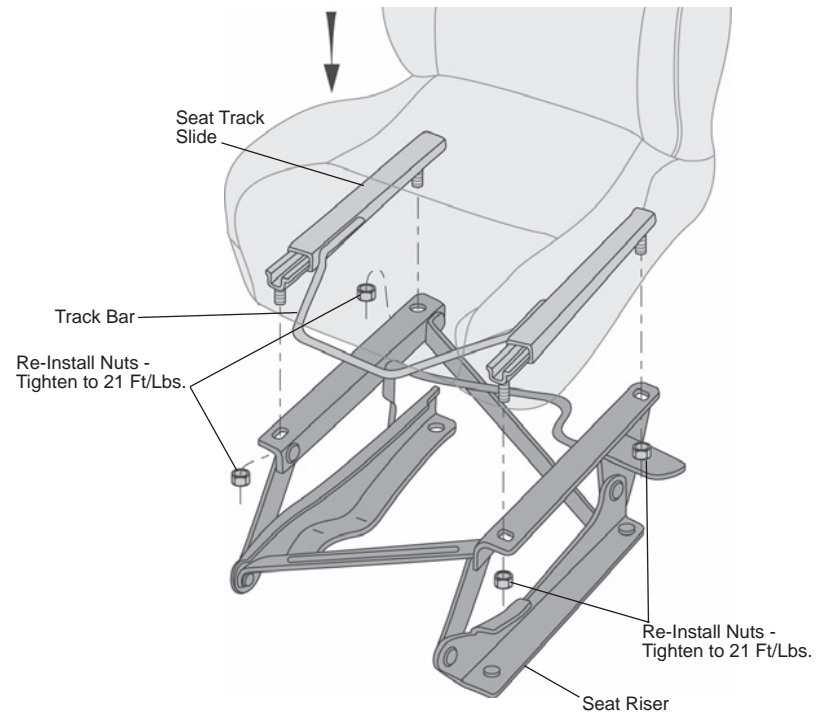


## ! WARNING

Failure to tighten the bolts and nuts to the specified torque can result in the seat loosening, thereby causing serious bodily injury to the vehicle occupants and to others.

## 7 Install the Seat in the Vehicle

Place the seat in the vehicle. Align the studs on the tracks with the holes in the seat riser. Reinstall the four (4) nuts that were removed in Step One on the track studs. Tighten the nuts to 21 ft/lbs, using a 13mm Wrench.



## TrailMax™ II Pro Reclining High Back Bucket Seat – Installation Instructions

**NOTE** For proper use of child seats in this vehicle, refer to the instructions provided with the child seat and to the vehicle owners manual.



### **WARNING**

Never adjust the driver's seat or seat back when the vehicle is moving. You could lose control of the vehicle and injure someone.

This seat system is intended to be used with seat belts at all times. Do not rely on the seat to maintain the seating position of occupants, in the event of an accident.

Always drive and ride with your seat back upright and the lap belt snug across the hips to reduce the risk of serious injury to the abdomen or neck that could be caused by sliding under the seat belts in a collision.

Children should always ride with the seat back in the fully upright position. When the seat back is not fully upright, there is a greater risk that the child will slide under the safety belt and be seriously injured in a collision.

WEAR SEAT BELTS AT ALL TIMES

### **Care and Maintenance of your Bestop Product**

Your Bestop product is made of the finest materials available. To keep it looking new and for the maximum possible wear, it will need periodic cleaning and maintenance.

**Washing:** The fabric should be washed often using soap, warm water and a soft bristle brush. Rinse with clear water to remove all traces of soap or use Bestop-recommended Bestop Cleaner and Bestop Protectant. Bestop Cleaner and Bestop Protectant are specially formulated to provide a total cleaning and protection system. Bestop Cleaner will not harm vehicle finish, is biodegradable and environmentally friendly. Bestop Protectant protects against UV-fading, cracking and hardening.

### **LIMITED WARRANTY**

We warrant our product to be free from defects in material and workmanship, for the terms specified below, provided there has been normal use and proper maintenance. This warranty applies to the original purchaser only. All remedies under this warranty are limited to the repair or replacement of any item or items found by the factory to be defective within the time period specified. If you have a warranty claim, first you must call our factory at the number below for instructions. You must retain proof of purchase and submit a copy with any items returned for warranty work. Upon completion of warranty work, if any, we will return the repaired or replaced item or items to you freight prepaid. Damage to our products caused by accidents, fire, vandalism, negligence, misinstallation, misuse, Acts of God, or by defective parts not manufactured by us, is not covered under this warranty.

THE WARRANTY TIME PERIOD IS AS FOLLOWS FOR REPLACE-A-TOP™, SAILCLOTH REPLACE-A-TOP™, SUPERTOP®, SUPERTOP® REPLACEMENT SKINS, SUNRIDER®, AND TIGERTOP®: TWO YEARS FROM DATE OF PURCHASE.

THE WARRANTY TIME PERIOD IS AS FOLLOWS FOR ALL OTHER "SOFT GOODS" MANUFACTURED BY OUR COMPANY (USING PRIMARILY VINYL, PLASTICS, AND/OR FOAM): ONE YEAR FROM DATE OF PURCHASE.

THE WARRANTY TIME PERIOD IS AS FOLLOWS FOR ALL OTHER "HARD GOODS" MANUFACTURED BY OUR COMPANY (USING PRIMARILY METALS, PLASTICS, AND/OR FIBERGLASS): ONE YEAR FROM DATE OF PURCHASE.

ANY IMPLIED WARRANTIES OF MERCHANTABILITY AND/OR FITNESS FOR A PARTICULAR PURPOSE CREATED HEREBY ARE LIMITED IN DURATION TO THE SAME DURATION AND SCOPE AS THE EXPRESS WRITTEN WARRANTY. OUR COMPANY SHALL NOT BE LIABLE FOR ANY INCIDENTAL OR CONSEQUENTIAL DAMAGE.

Some states do not allow limitations on how long an implied warranty lasts, or the exclusion or limitation of incidental or consequential damages, so the above limitations or exclusions may not apply to you. This warranty gives you specific legal rights, and you may also have other rights which vary from state to state.



**Bestop**

For further information or request for warranty work, please contact:

Bestop Inc., Customer Service

Toll-Free: (800)845-3567

Main: (303)465-1755

E-mail: [csbestop@Bestop.com](mailto:csbestop@Bestop.com)

Website: [www.Bestop.com](http://www.Bestop.com)