







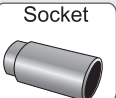


Installation Instructions TrailMax™ Overhead Console

Vehicle Application:

- Jeep TJ Wrangler and Wrangler Unlimited
1997 – 2006
Part Number: 81681

www.Bestop.com - We're here to help! Visit our web site and click on "[Ask a Question](#)". Click here for more [Jeep® Accessories by Bestop](#).

INSTALLATION TIME	SKILL LEVEL		
 3/4 Hour	 2 - Moderately Easy		
TOOLS			
 Phillips Screwdriver	 Safety Glasses	 Power Drill	 Nut Driver
		1/8" Bit (Optional)	5/16"
 Socket			
5/16" (Optional)			



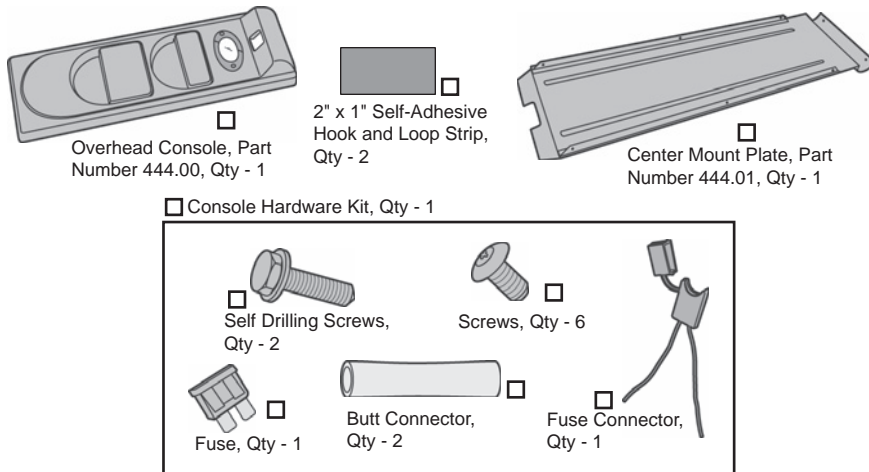
⚠ WARNING This product is designed primarily to enhance the appearance of the vehicle. Do not rely in any way on the components of this product to protect against injury or death in the event of an accident. Never operate the vehicle in excess of manufacturer's specifications.

WEAR SEAT BELTS AT ALL TIMES

Read and follow, precisely, all installation instructions provided when installing product. Failure to do so may result in a poor fit and could place occupants of the vehicle in a potentially dangerous situation.

TrailMax™ Overhead Console Installation Instructions

Parts List and Hardware Identification



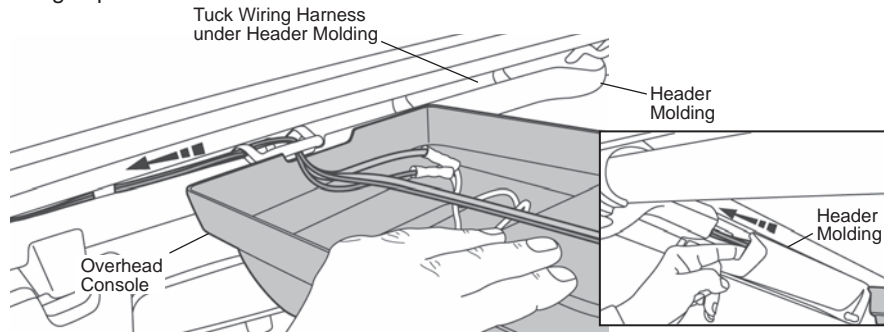
2 Remove Driver's Side Sun Visor

Use a phillips screwdriver to remove the screw that secures the driver's side Sun Visor. Set the visor and screw aside to be reinstalled later.



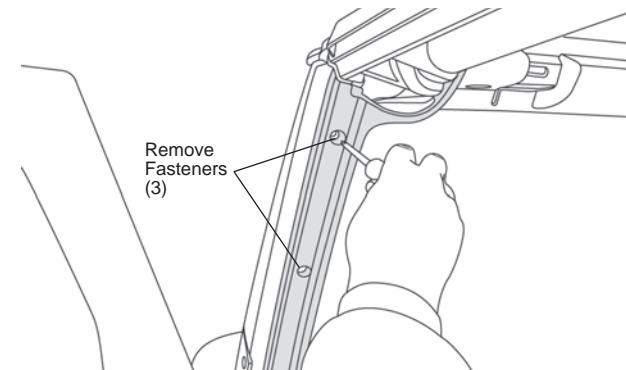
1 Thread Wiring Harness under Header Molding

Lower your soft top or remove your hardtop panels before starting this installation. Locate the wiring harness attached to the Overhead Console. Hold the console and pull down gently on the header molding to tuck the end of the wire harness under the molding running toward the driver's side of the vehicle. Let the console hang in place.



3 Remove Driver's Side A-Pillar Panel

Remove the three (3) fasteners that hold the A-Pillar. Set it aside to be reused later.

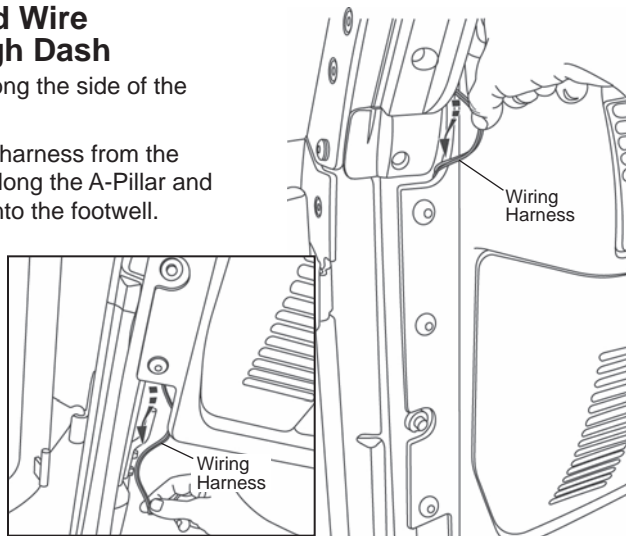


TrailMax™ Overhead Console Installation Instructions

4 Thread Wire through Dash

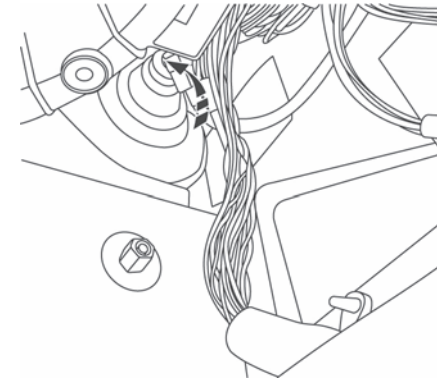
Pull the panel along the side of the dash away.

Route the wiring harness from the sport bar down along the A-Pillar and under the dash into the footwell.



5 Thread Wiring Harness through Fire Wall

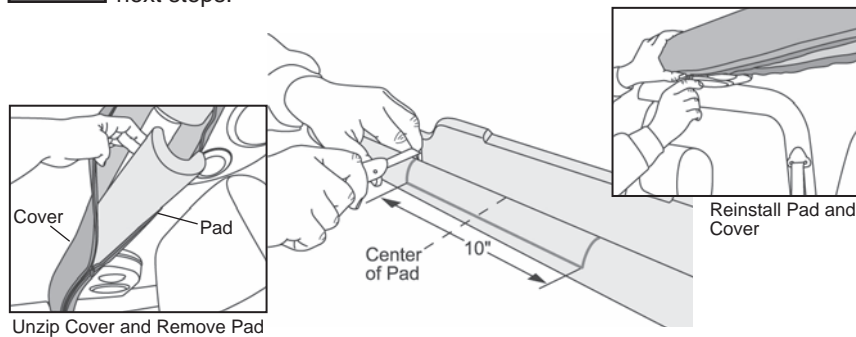
Continue to route the wiring harness through the firewall and into the engine compartment.



6 Cut Sport Bar Pad

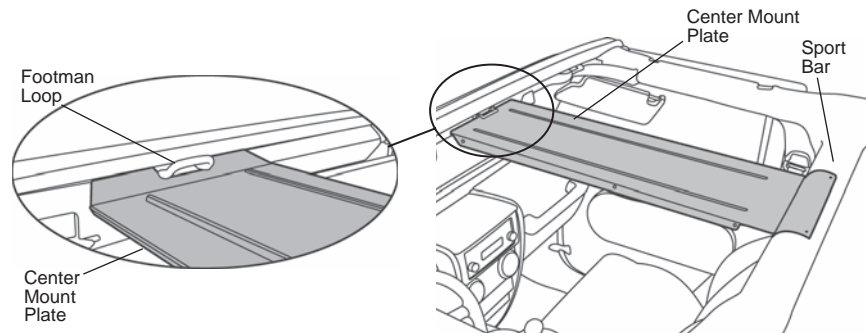
Unzip the cover on the sport bar that runs across the vehicle and remove the sport bar pad. Mark 5" on each side of the center of the pad and cut a 1" x 10" piece from the front and rear side of the pad. Replace the pad and close the zipper.

NOTE You may tuck the wiring harness into the pad to protect it during the next steps.



7 Position Center Mount Plate

Place the Center Mount Plate between the windshield and the sport bar in the center of the vehicle. Slip the straight end of the Center Mount Plate between the windshield frame and the header molding with the cutout centered around the footman loop and rest the curved end on the sport bar.



TrailMax™ Overhead Console Installation Instructions

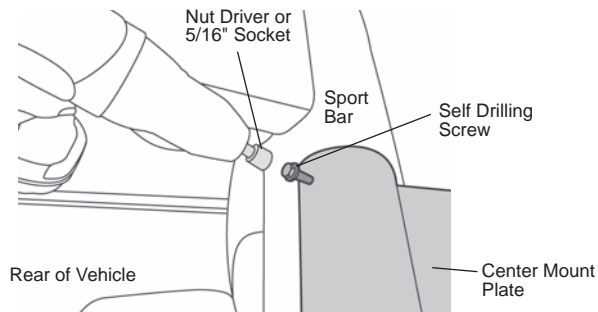


CAUTION

Before proceeding with this step, check to make sure that the Wiring Harness is out of the way.

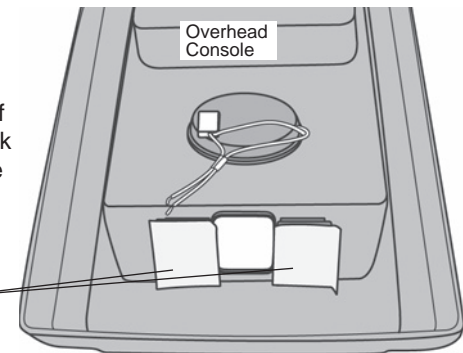
8 Secure Center Mount Plate

Use a Nut Driver to install Self Drilling Screws in the two holes in the Center Mount Plate to secure it to the sport bar. If you do not have a Nut Driver, drill a 1/8" pilot hole and use a 5/16" socket to install the screws.



9 Install Garage Door Opener in Console

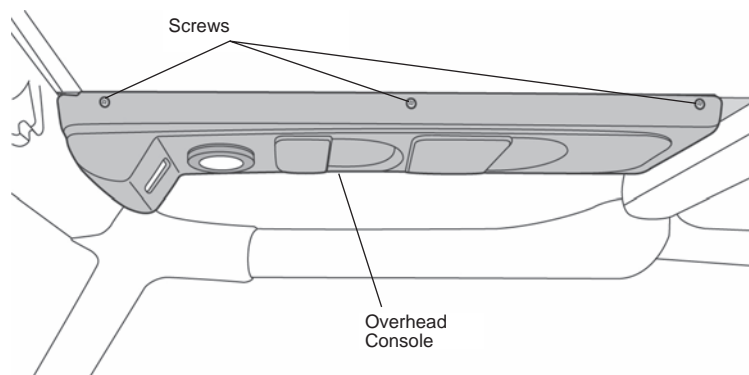
Separate the self-adhesive hook strip from the loop on each side of the opening inside the Overhead Console. Peel the backing off the hook strips and press them on your garage door opener on each side of the operating button. Press the hook strip against the loop strip to secure the opener in the console with the button aligned with the hole.



View from Above

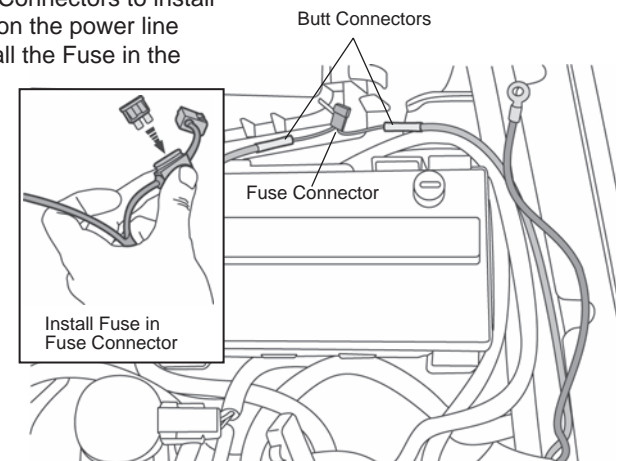
10 Mount Overhead Console to Center Mount Plate

Install six (6) Screws to mount the Overhead Console to the Center Mount Plate.



11 Install Fuse Connector

Use the two (2) Butt Connectors to install the Fuse Connector on the power line (red wire). Then install the Fuse in the Fuse Connector.

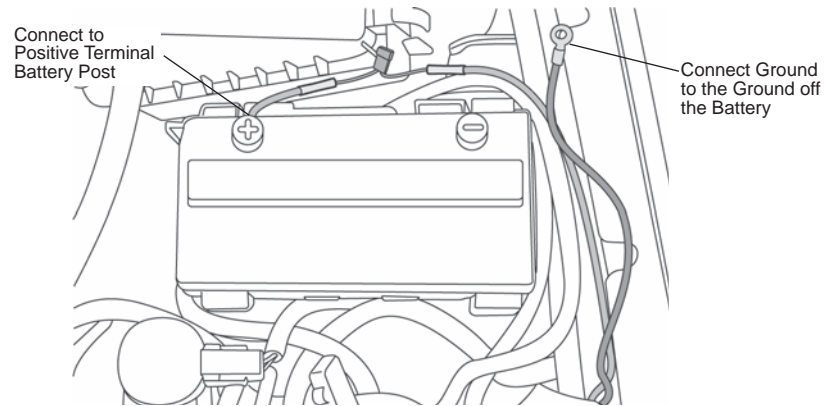


TrailMax™ Overhead Console Installation Instructions

12 Connect Power

Route the wiring harness along the engine compartment and attach it to the positive terminal on the battery.

Connect the ground on the wiring harness to the ground off the battery.



13 Reinstall A-Pillar and Sun Visor

Reinstall the A-Pillar Panel.

Reinstall the passenger side Sun Visor.

TrailMax™ Overhead Console Installation Instructions

LIMITED WARRANTY

We warrant our product to be free from defects in material and workmanship, for the terms specified below, provided there has been normal use and proper maintenance. This warranty applies to the original purchaser only. All remedies under this warranty are limited to the repair or replacement of any item or items found by the factory to be defective within the time period specified. If you have a warranty claim, first you must call our factory at the number below for instructions. You must retain proof of purchase and submit a copy with any items returned for warranty work. Upon completion of warranty work, if any, we will return the repaired or replaced item or items to you freight prepaid. Damage to our products caused by accidents, fire, vandalism, negligence, misinstallation, misuse, Acts of God, or by defective parts not manufactured by us, is not covered under this warranty.

THE WARRANTY TIME PERIOD IS AS FOLLOWS FOR REPLACE-A-TOP™, SAILCLOTH REPLACE-A-TOP™, SUPERTOP®, SUPERTOP® REPLACEMENT SKINS, SUNRIDER®, AND TIGERTOP®: TWO YEARS FROM DATE OF PURCHASE.

THE WARRANTY TIME PERIOD IS AS FOLLOWS FOR ALL OTHER “SOFT GOODS” MANUFACTURED BY OUR COMPANY (USING PRIMARILY VINYL, PLASTICS, AND/OR FOAM): ONE YEAR FROM DATE OF PURCHASE.

THE WARRANTY TIME PERIOD IS AS FOLLOWS FOR ALL OTHER “HARD GOODS” MANUFACTURED BY OUR COMPANY (USING PRIMARILY METALS, PLASTICS, AND/OR FIBERGLASS): ONE YEAR FROM DATE OF PURCHASE.

ANY IMPLIED WARRANTIES OF MERCHANTABILITY AND/OR FITNESS FOR A PARTICULAR PURPOSE CREATED HEREBY ARE LIMITED IN DURATION TO THE SAME DURATION AND SCOPE AS THE EXPRESS WRITTEN WARRANTY. OUR COMPANY SHALL NOT BE LIABLE FOR ANY INCIDENTAL OR CONSEQUENTIAL DAMAGE.

Some states do not allow limitations on how long an implied warranty lasts, or the exclusion or limitation of incidental or consequential damages, so the above limitations or exclusions may not apply to you. This warranty gives you specific legal rights, and you may also have other rights which vary from state to state.



For further information or request for warranty work, please contact:

Bestop Inc. Customer Service
Toll-Free: (800)845-3567
Main: (303)465-1755
E-mail: csbestop@Bestop.com
Website: www.Bestop.com