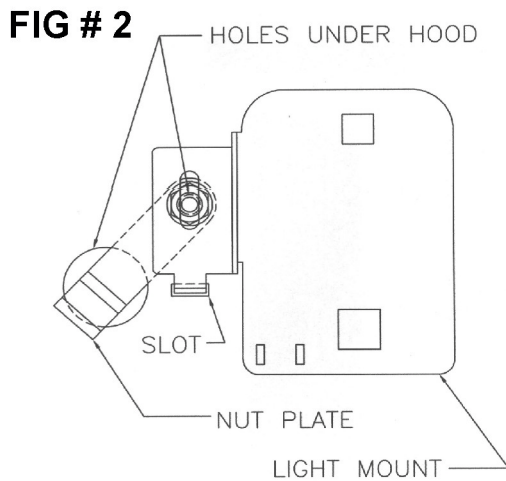




CFE PRODUCTS AUTOMATIC UNDER HOOD LIGHT MODEL #JK-UHL Jeep Wrangler JK 2007 & UP



- 1 - Remove fuse from hood light harness fuse holder.
- 2 - Locate screw hole as shown in figure 1.
- 3 - Align hood light bracket and nut plate with hole and install supplied screw as shown in figure 2.
- 4 - Install ground wire, BLACK to negative battery terminal.
- 5 - Install RED wire to positive battery terminal.
- 6 - Use supplied tie straps to route & secure harness along firewall.
- 7 - Reinstall fuse. If you see the light on...congratulations you have successfully installed your under hood light.
- 8 - Slowly close the hood while watching the light to insure the bulb goes out before the hood is secure.



NOTE: If you need to work under the hood for a long period of time, you can turn the hood light off by removing the fuse on the under hood light harness.

**Questions or Comments ? call CFE PRODUCTS
@ 610 358 1886 / ASK FOR BOB**