

PARTS LIST

SIDE FRAME SUPPORT KIT

- 2 - SIDE FRAME SUPPORT BRACKETS (RT. & LT.)
- 4 - 7/16 X 1 1/2 BOLTS
- 4 - 7/16 LOCKWASHERS
- 4 - 7 1/6 NUTS
- 8 - 7/16 USS. FLATWASHERS (1 1/4 " DIA.)

STOP LIGHT BRACKET KIT

- 2 - TOP BRAKE LIGHT SUPPORT BRACKETS
- 2 - 1/4 X 3/4 BOLTS
- 2 - 1/4 THIN NYLON LOCKNUTS
- 4 - 1/4 SAE. FLATWASHERS (5/8" DIA.)
- 2 - 5/16 X 1 CARRIAGE BOLTS
- 2 - 5/16 NYLON LOCKNUTS
- 2 - 5/16 FLATWASHERS (11/16" DIA.)

ALUMINUM TOP COVERS

- 1 - DRIVERS SIDE COVER 22" (NOTCHED)
- 1 - MIDDLE COVER 10 1/2"
- 1 - PASSENGERS SIDE COVER 22"
- 6 - 5/16 X 1 CARRIAGE BOLTS
- 6 - 5/16 NYLON LOCKNUTS
- 6 - 5/16 FENDER WASHERS (1 1/4 DIA.)

TAIL GATE BRACKET KIT

- 1 - TAILGATE MOUNTING BRACKET
- 1 - 2" DIA. RUBBER BUMPER
- 1 - 3/8 X 3 TAP BOLT (ALL THREAD)
- 1 - 3/8 FENDER WASHER (2" DIA.)
- 3 - 3/8 USS. FLATWASHERS (1" DIA.)
- 3 - 3/8 NUTS
- (RE-USE 2 FACTORY TIRE CARRIER BOLTS)

RECEIVER HITCH SUPPORT PLATE KIT

- 1 - RECEIVER HITCH SUPPORT PLATE
- 2 - 7/16 X 4 1/2 BOLTS
- 2 - 7/16 X 1 1/2 BOLTS
- 4 - 7/16 LOCKWASHERS
- 4 - 7/16 NUTS
- 8 - 7/16 USS. FLATWASHERS (1 1/4' DIA.)

FRAME EXTENTION KIT

- 2 - FRAME EXTENTIONS (RT. & LT.)
- 4 - 5/8 X 1 1/2 BOLTS
- 4 - 5/8 LOCKWASHERS
- 4 - 5/8 FLATWASHERS (1 3/4" DIA.)
- 4 - 1/2 X 1 1/2 BOLTS
- 4 - 1/2 LOCKWASHERS
- 4 - 1/2 NUTS
- 8 - 1/2 SAE. FLATWASHERS (1" DIA.)

FACTORY INSTALLED PARTS

- 1 - GREASE FITTING (PLASTIC BAG)
- 1 - VINYL COVER (SWING ARM STOP)
- 1 - 1/2 X 3 BOLT, FLATWASHERS AND LOCKNUT
- 4 - 1/4 X 3/4 BOLTS, LOCKWASHERS
FLATWASHERS (LATCH MOUNTING)
- ALL SWING ARM PIVOT HARDWARE
- 1 - 1 1/4 LOCK NUT
- 1 - 1/4 STEEL SPACER (SILVER IN COLOR)
- 1 - 2" NYLON FLATWASHER (BLACK)
- 1 - 2" THRUST WASHER (GOLD IN COLOR)



*Manufacturers of Specialty Products
for Sport Utility and 4X4 Vehicles*

316 Millar Avenue; El Cajon, CA 92020
Phone (619)440-7415; FAX (619)440-0851

Part#41000

ATS Series Bumper System-JK Wrangler

Installation Instructions

1. For easier installation, leave all fasteners loose until directed to tighten.
2. Remove factory rear bumper and attaching brackets, use 5/8" socket. If vehicle is equipped with a factory receiver hitch, remove from vehicle, it is not compatible with our bumper system.
3. Remove factory tire mount, with 13mm socket, refer to page 6, lines 1, 2 & 3.
4. Re-install tire mount bolts, except top two bolts.
5. Install Right and Left frame extensions into frame, refer to page 4.
6. Install receiver hitch support plate to rear crossmember, page 4, figure C.
7. With some help, lift bumper and install bumper to frame extensions and receiver plate, page 4, figure B, slightly tighten to hold in place.
8. Tighten lower bolts on hitch support plate first. This is used for proper spacing of the bumper. Level bumper and tighten top bolts on hitch support plate.
9. Install right and left side frame supports, refer to page 5, figure A.
10. Align bumper and tighten all bumper and frame mounting hardware.
11. Install aluminum top panels, page 5, figure B. Align and tighten hardware.
12. Install tailgate mounting bracket to tailgate, re-using factory bolts, center bracket and tighten hardware. Refer to page 7, figure A.
13. Install rubber bumper to tailgate mounting bracket, page 7, figure A.
14. Modify and install factory brake light assembly to tailgate support bracket, refer to page 6.
15. Install top swing-away assembly to bumper, page 3. Note! Brass thrust washer(Gold Color) goes to the bottom. Before installing top section, grease pivot shaft. Install grease fitting and re-grease before installing hold down nut.
16. Tighten 1 1/4" thin nylon locknut until there is no longer any up and down movement in the swing arm.
17. Install latch assembly to swing arm as shown on page 3, figure B.
18. If applicable, install optional hi-lift bracket(#71099) to swing-away assembly, refer to page 7, figure B.
19. Install spare tire assembly, refer to page 8.
20. After installing spare tire and accessories, adjust rubber bump stop against center tube. Adjust it so that you have approx. 3/8" space at latch assembly. Refer to page 3, figure B.
21. Adjust the "U" bolt nuts on the latch assembly so that the handle snaps closed.

GENERAL ASSEMBLY DRAWING

FIGURE A

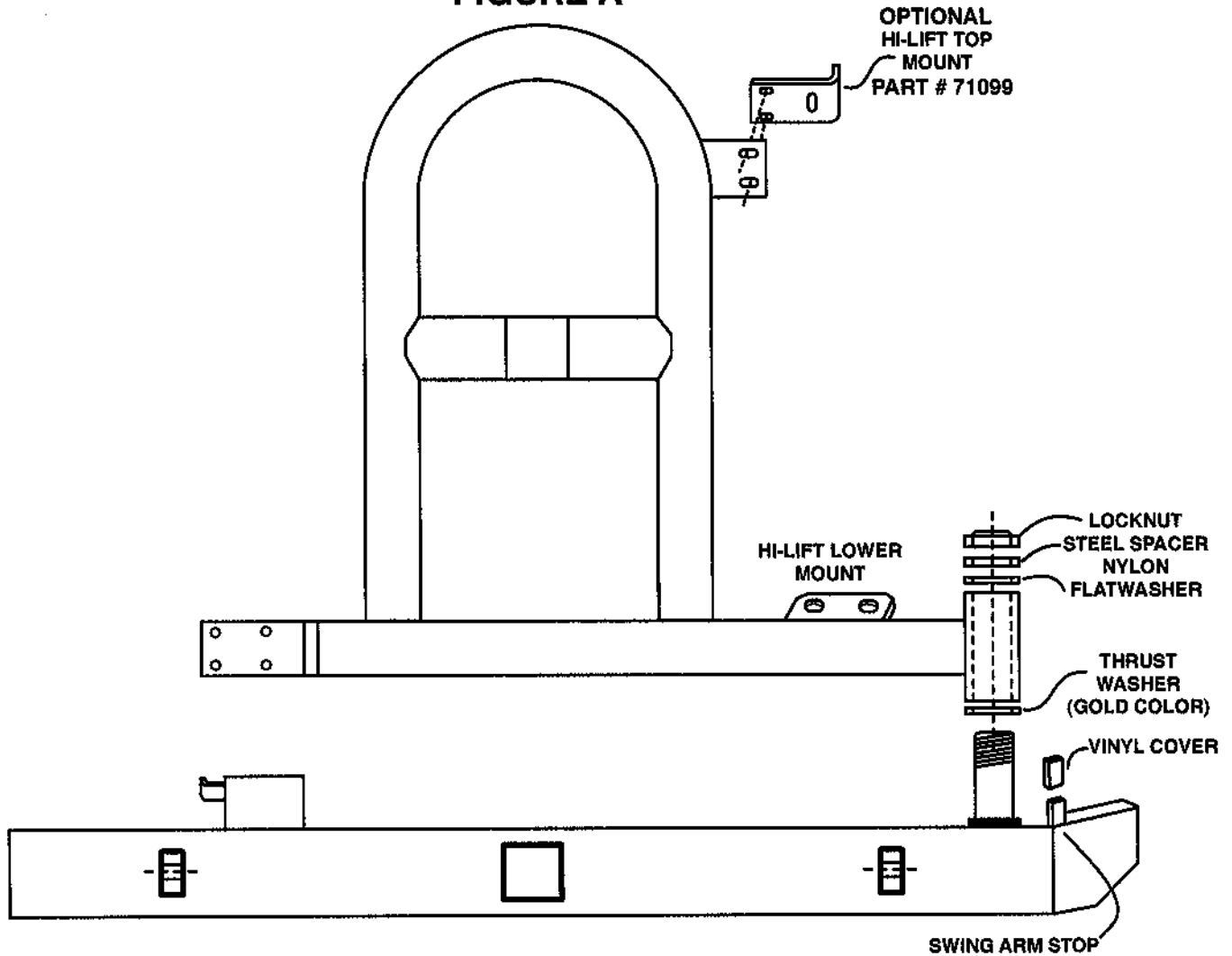
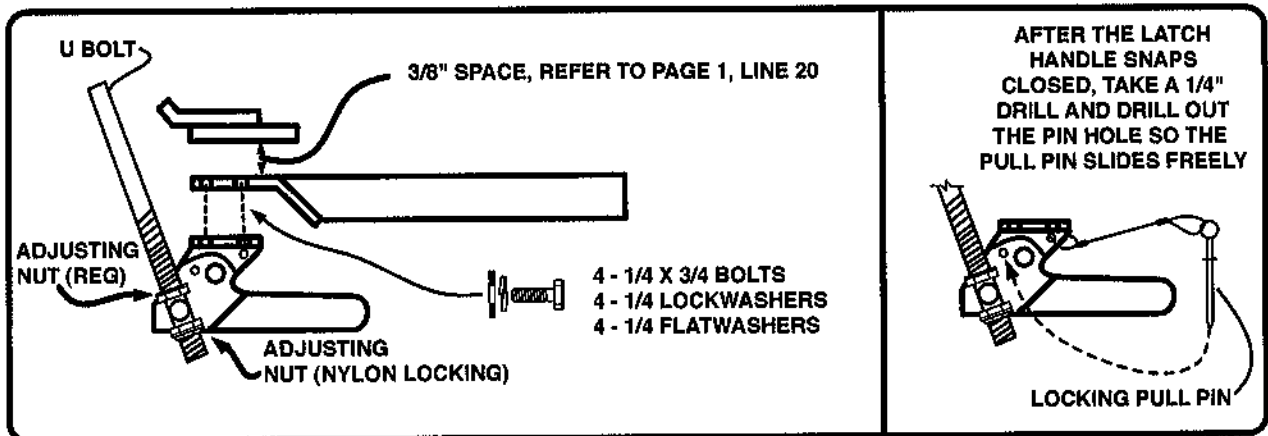


FIGURE B LATCH ASSEMBLY WITH PULL PIN



INSTALLATION INSTRUCTIONS

FIGURE A

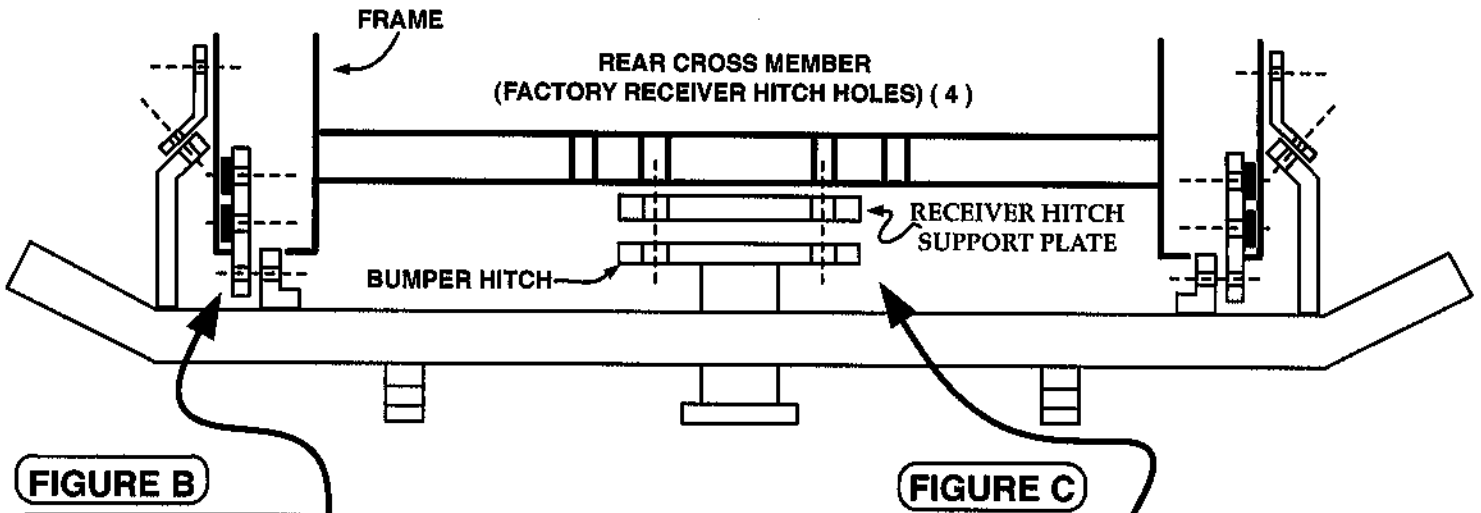


FIGURE B

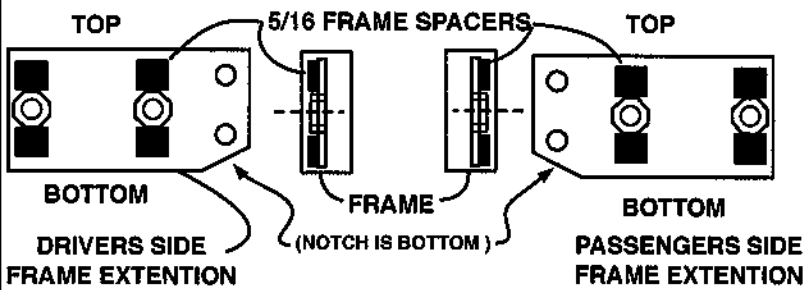
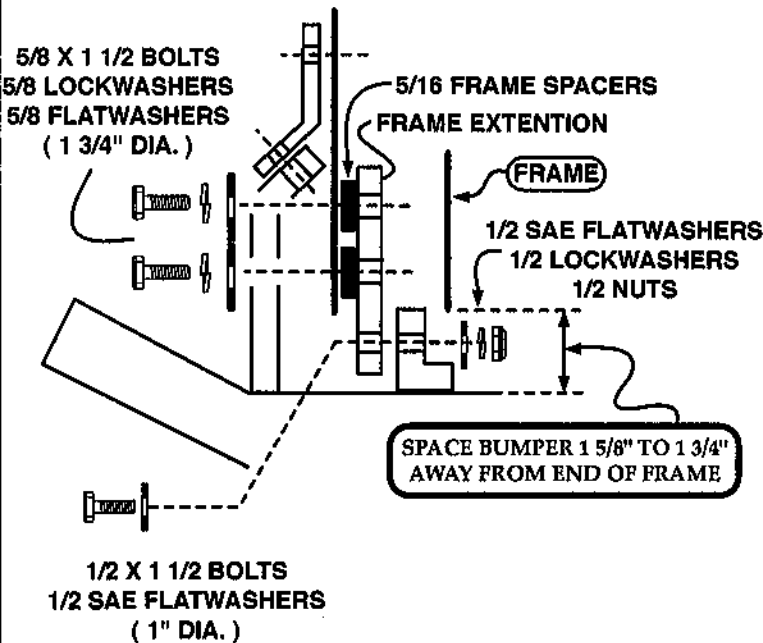
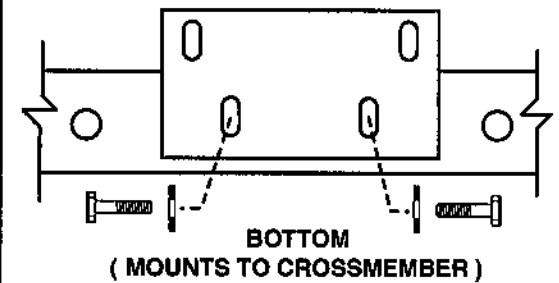


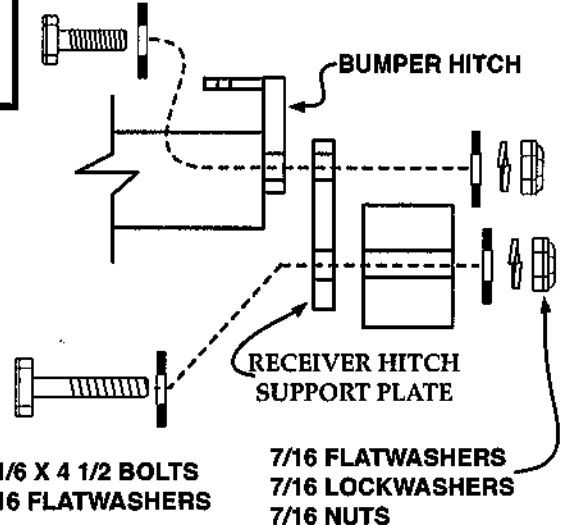
FIGURE C



RECEIVER HITCH SUPPORT PLATE
TOP
(MOUNTS TO BUMPER HITCH)



7/16 X 1 1/2 BOLTS
7/16 FLATWASHERS



INSTALLATION INSTRUCTIONS

FIGURE A (SIDE FRAME BRACKETS)

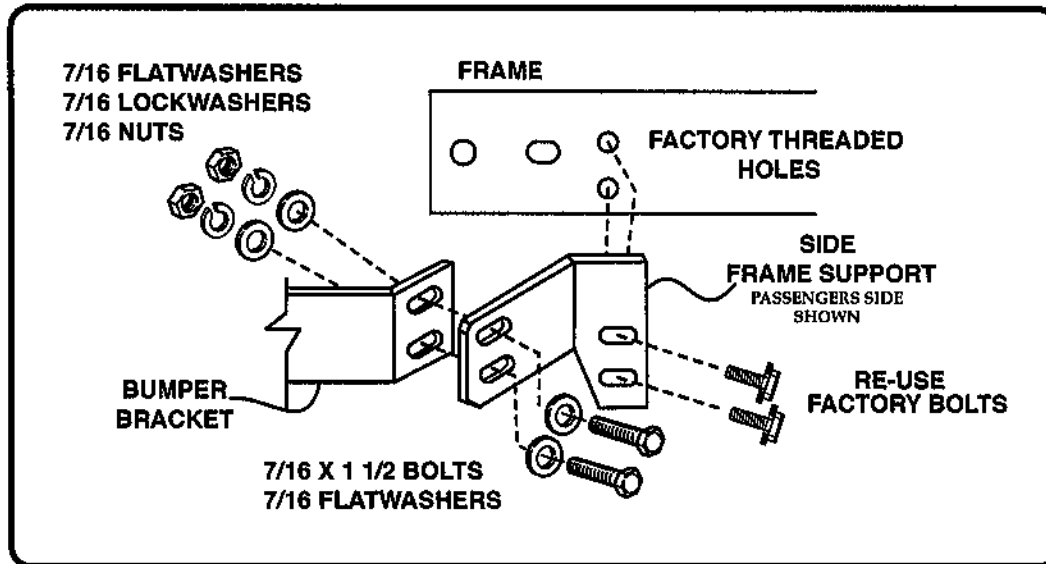
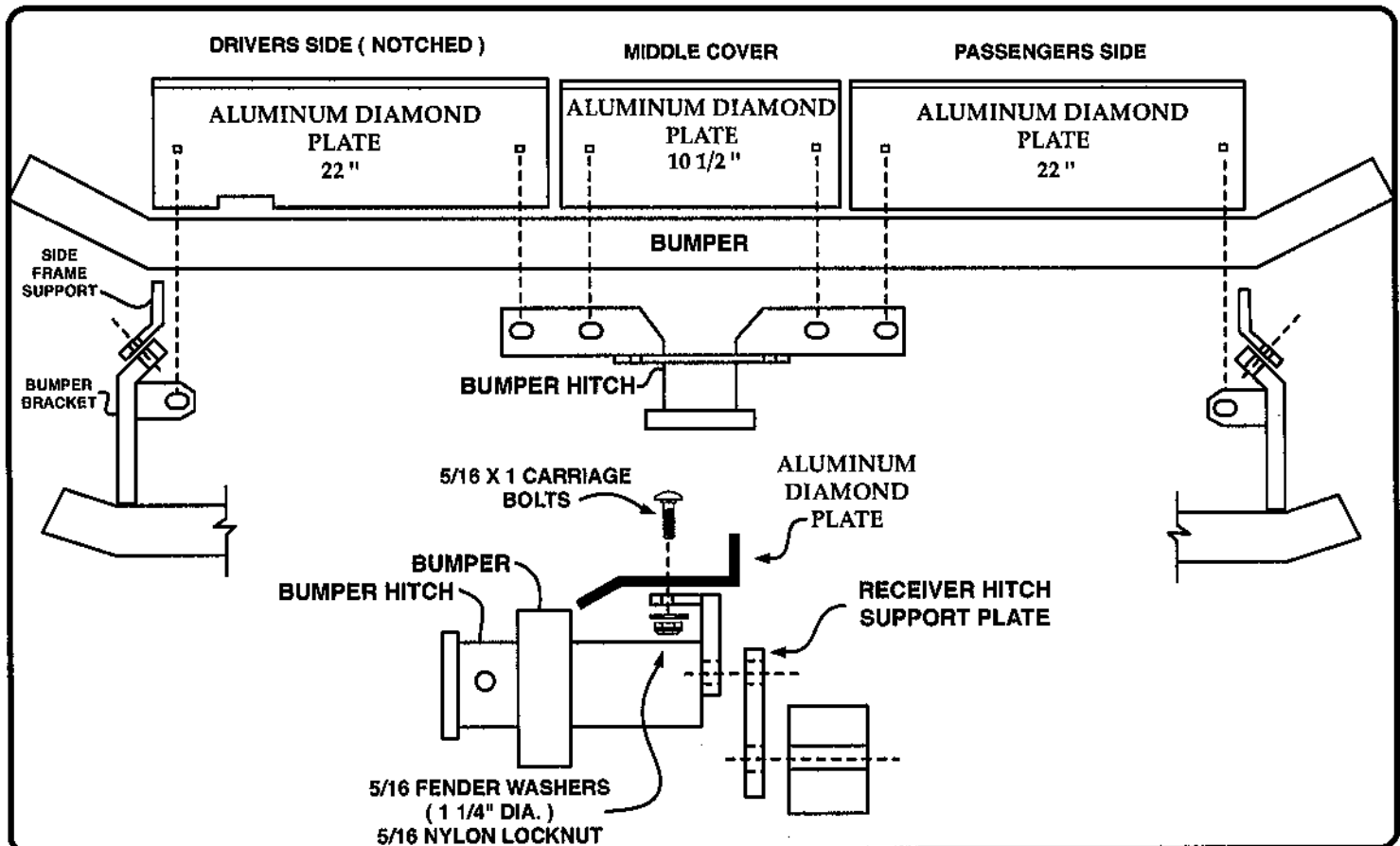


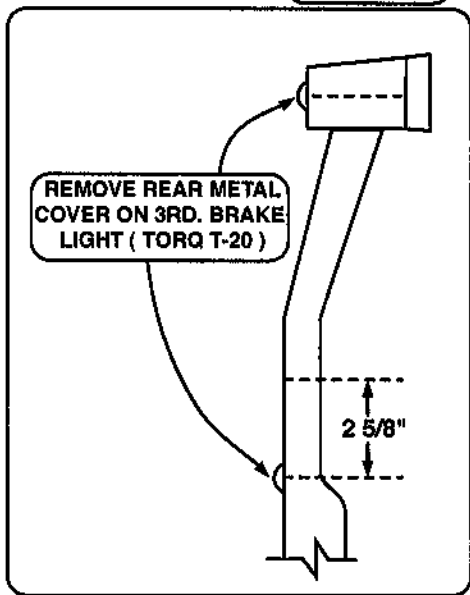
FIGURE B (ALUMINUM TOP PANELS (3))



**INSTALLATION INSTRUCTIONS
BRAKE LIGHT ASSEMBLY**

- 1- REMOVE 4 SCREWS (TORQ T-20) FROM REAR OF BRAKE LIGHT ASSEMBLY AND REMOVE BACK COVER.
- 2- UNPLUG WIRING FROM LIGHT ASSEMBLY AND REMOVE WIRING FROM SPARE TIRE MOUNTING BRACKET.
- 3- REMOVE SPARE TIRE BRACKET FROM TAILGATE. (13 MM SOCKET)
- 4- MEASURE UP 2 5/8" FROM CENTER OF LOWER T-20 SCREW HOLE (FIGURE A), MARK AND CUT TOP SECTION OFF.

FIGURE A



- 5- AFTER CUTTING OFF, SAND EDGES AND PAINT WITH A SATIN BLACK.
- 6- RE-INSTALL METAL COVER BACK ON LIGHT, MARK PLASTIC AND CUT PLASTIC AT SAME LENGTH AS METAL BACK COVER, REMOVE METAL COVER.
- 7- MARK, DRILL, AND INSTALL LIGHT ASSEMBLY AS SHOWN IN FIGURE B
- 8- INSTALL LIGHT ASSEMBLY TO TAILGATE MOUNTING BRACKET AS SHOWN IN FIGURE C. LIGHT ASSEMBLY IS ADJUSTABLE TO FIT LARGER DIAMETER TIRES.
- 9- RE-INSTALL LIGHT WIRING AND METAL BACK COVER.

FIGURE B

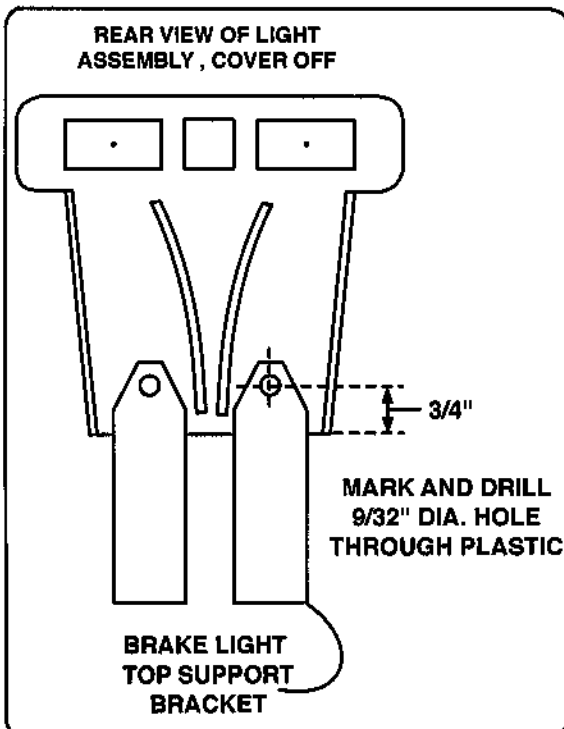
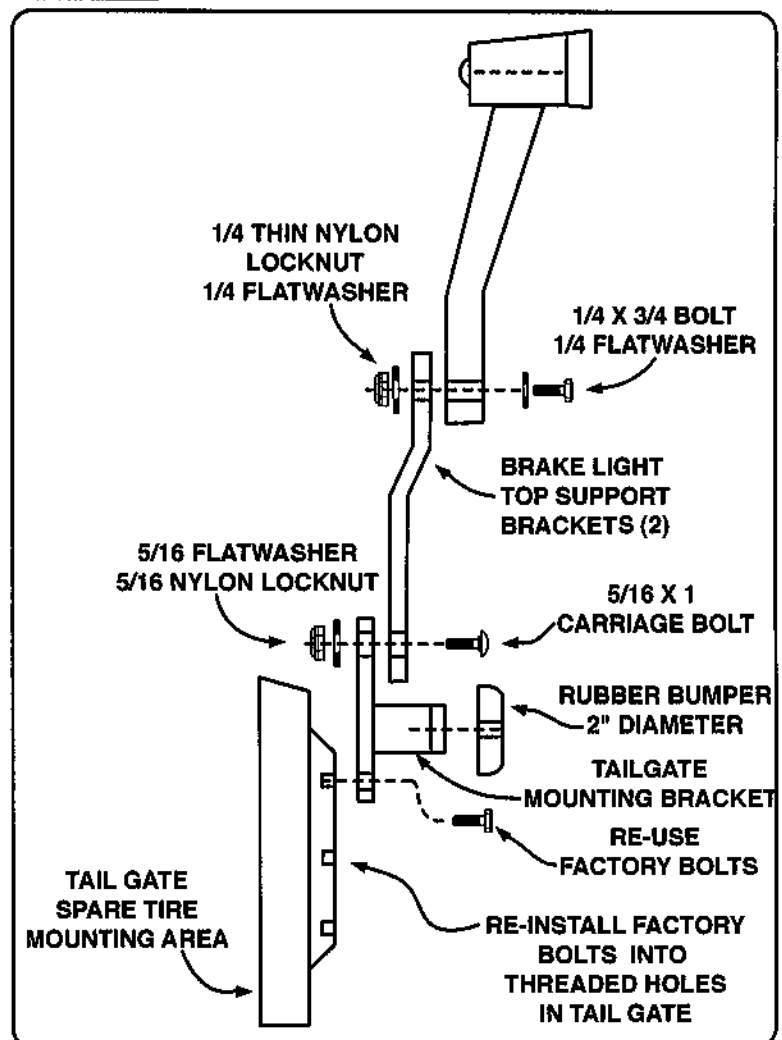


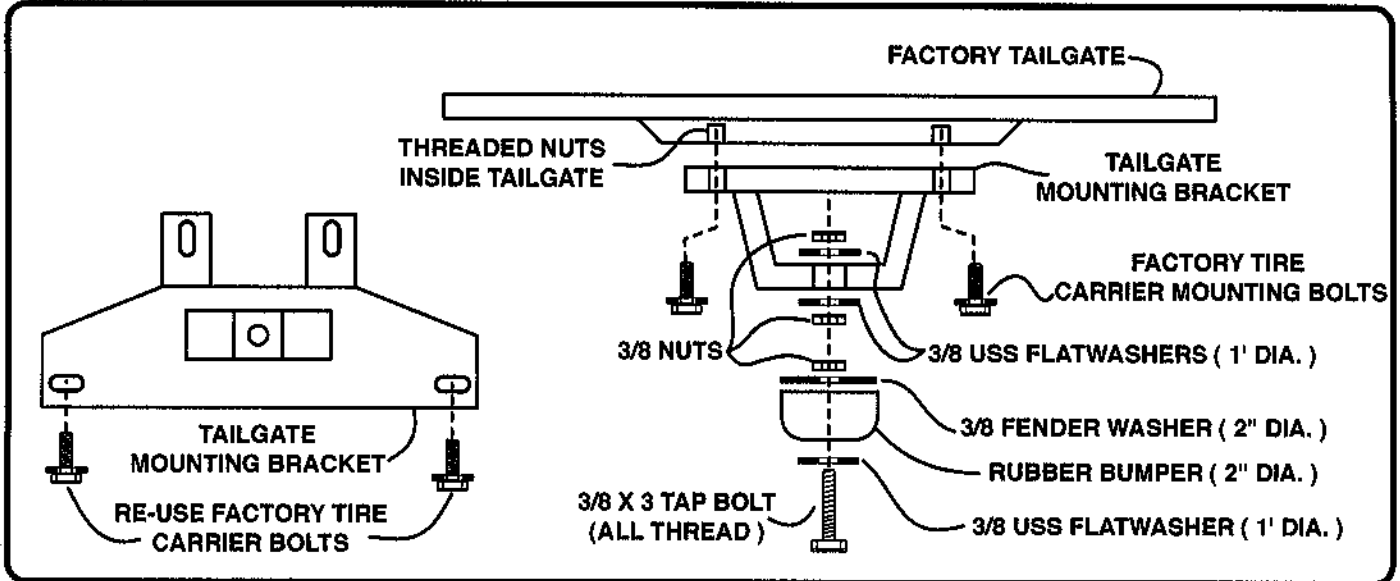
FIGURE C



INSTALLATION INSTRUCTIONS

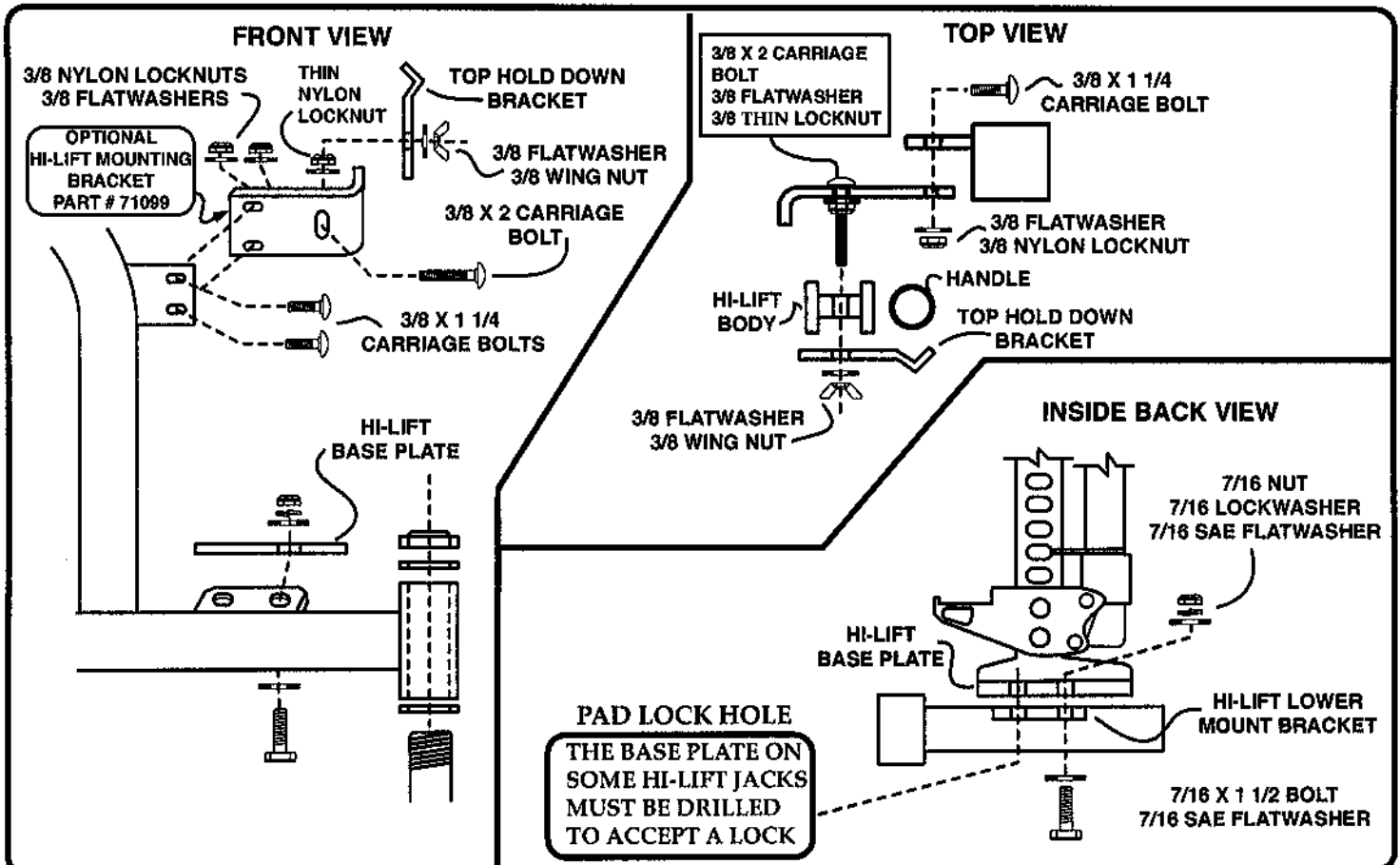
TAILGATE BRACKET ASSEMBLY AND OPTIONAL HI-LIFT MOUNTING

FIGURE A

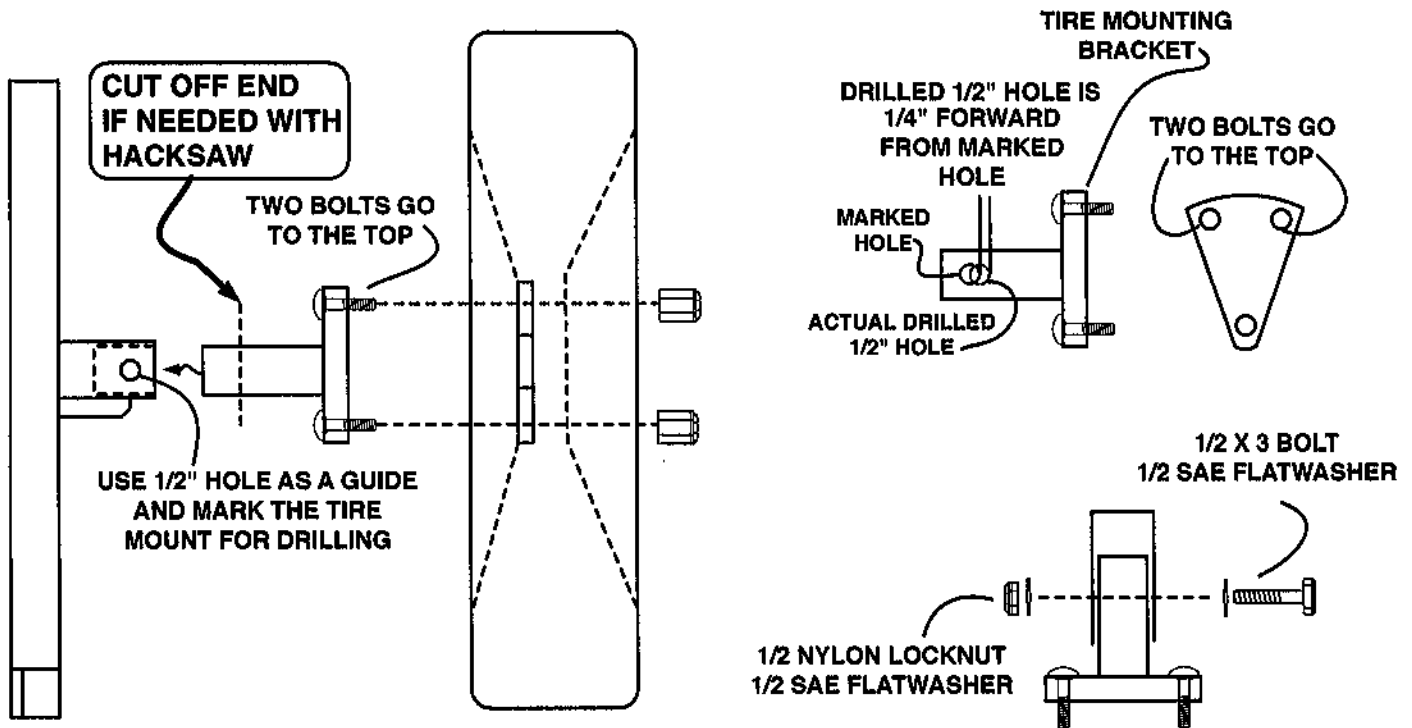


THIS DRAWING SHOWS THE INSTALLATION OF THE OPTIONAL HI-LIFT MOUNTING

FIGURE B BRACKET, PART # 71099, WHEN INSTALLED ON THE ATS SERIES BUMPER PART#41000.



INSTALLATION INSTRUCTIONS
TIRE MOUNTING BRACKET



INSTALLATION INSTRUCTIONS

- 1 - INSTALL THE TIRE MOUNTING BRACKET TO THE WHEEL, SLIGHTLY TIGHTEN TO HOLD IN PLACE.
- 2 - WITH THE TWO WHEEL STUDS ON THE TOP, AS SHOWN, PICK UP THE TIRE AND WHEEL ASSEMBLY AND SLIDE THE SQUARE TIRE MOUNT INTO THE TIRE CARRIER.
- 3 - TIRE WIDTHS AND WHEEL OFF SETS VARY GREATLY. IF THE TIRE MOUNTING BRACKET BOTTOMS OUT IN THE RECEIVER BEFORE THE TIRE TOUCHES THE THREE UPRIGHTS, THEN THE TIRE BRACKET MUST BE TRIMMED SHORTER. (REFER TO DRAWING). THE END CAN BE CUT OFF WITH A BASIC HACKSAW WITH A GOOD BLADE.
- 4 - OPEN THE TIRE CARRIER TO GAIN ACCESS BEHIND THE TIRE, WITH THE TIRE TOUCHING THE THREE VERTICAL SUPPORT ARMS. USE THE HOLE IN THE TIRE MOUNT AS A GUIDE, MARK THE TIRE BRACKET FOR THE 1/2" HOLE. THE ACTUAL 1/2" HOLE IS DRILLED 1/4" FORWARD OF THE MARKED HOLE, REFER TO THE ABOVE DRAWING.
- 5 - REMOVE TIRE ASSEMBLY, REMOVE THE TIRE MOUNT BRACKET. MOVE MARKED HOLE ON THE MOUNT BRACKET 1/4" FORWARD, RE-MARK AND DRILL 1/2" DIA. HOLE IN TIRE MOUNT
- 6 - RE-INSTALL MOUNT BRACKET INTO TIRE CARRIER AND SECURE 1/2 X 3 BOLT, FLATWASHERS AND NYLON LOCKNUT
- 7 - INSTALL TIRE TO TIRE CARRIER