

Preparation:

- Disconnect the negative battery terminal. Park the vehicle on level ground and set the emergency brake.
- We recommend reading through the installation instructions in whole before performing the work.
- Estimated Installation Time: **2 Hours**

*****This installation requires 2 people for best results*****

You will need the following tools:

- | | | |
|----------------|------------------------|-----------------------------|
| - Ratchet | - 13mm Socket | - 7/32" Allen Wrench/Socket |
| - 9/16" Wrench | - 3/4" Socket & Wrench | - 13/16" Socket & Wrench |

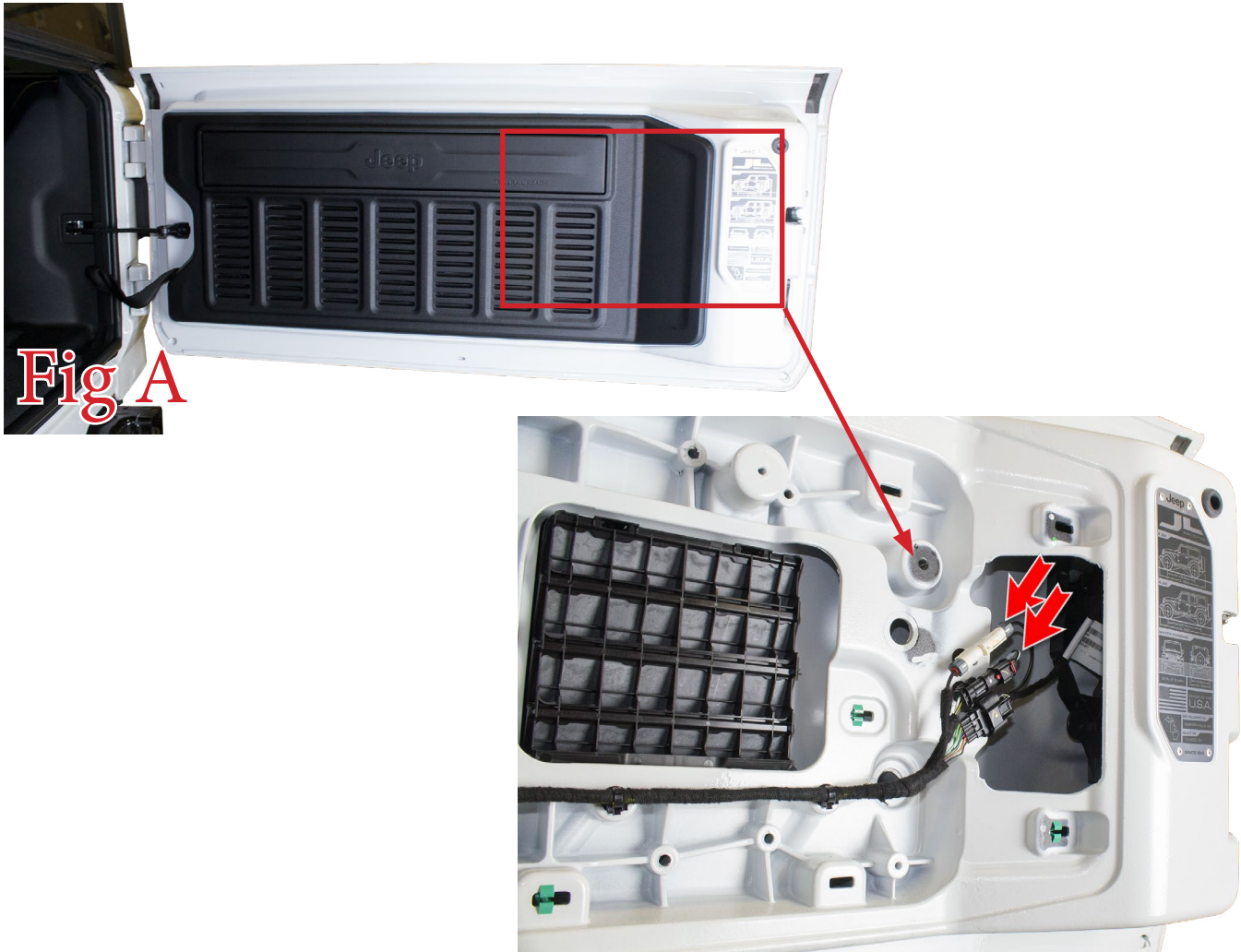
Included in Kit:

- | | |
|---|---|
| 6 - Hex Head Bolts (1/2"-13 x 1") | 2 - Hex Head Bolts (1/2"-13 x 1 1/2") |
| 16 - Flat Washers (1/2") | 8 - Nylon Lock Nuts (1/2"-13) |
| 5 - Button Head Bolts (3/8"-16 x 1") | 5 - Flat Washers (3/8") |
| 5 - Nylon Lock Nuts (3/8"-16) | 2 - U-Nuts (5/16"-18) |
| 2 - Threaded Black Rubber Bumpers | 2 - Male Heims (1/2") |
| 2 - Hex Nut (1/2"-20) | 1 - Threaded Aluminum Tube |
| 2 - Male Heims (7/8") | 2 - Hex Nuts (7/8") |
| 4 - Misalignment Spacers (7/8") | 2 - Hex Head Bolts (9/16"-18 x 3 1/2") |
| 4 - Flat Washers (9/16") | 2 - Nylon Locking Jam Nut (9/16"-18) |
| 1 - Tire Gate | 1 - Tire Gate Mounting Bracket |
| 1 - Spare Tire Mounting Bracket | 1 - Tailgate Plate |

This Tire Carrier is meant to be installed in conjunction with our Stealth Fighter Rear Bumper. Before starting this installation guide, complete Steps 1-23 of the Stealth Fighter Rear Bumper Installation Guide found [here](http://www.addictivedesertdesigns.com/files/install/ADD-2018-Current-Jeep-JL-Stealth-Fighter-Rear-Bumper-Installation-Instructions.pdf):

<http://www.addictivedesertdesigns.com/files/install/ADD-2018-Current-Jeep-JL-Stealth-Fighter-Rear-Bumper-Installation-Instructions.pdf>

1. Open the tailgate and remove the plastic cover on the inner section of the tailgate. There are no tools required for this step, this piece simply pulls off by hand. Then, unplug the top two connectors shown in (Fig A).

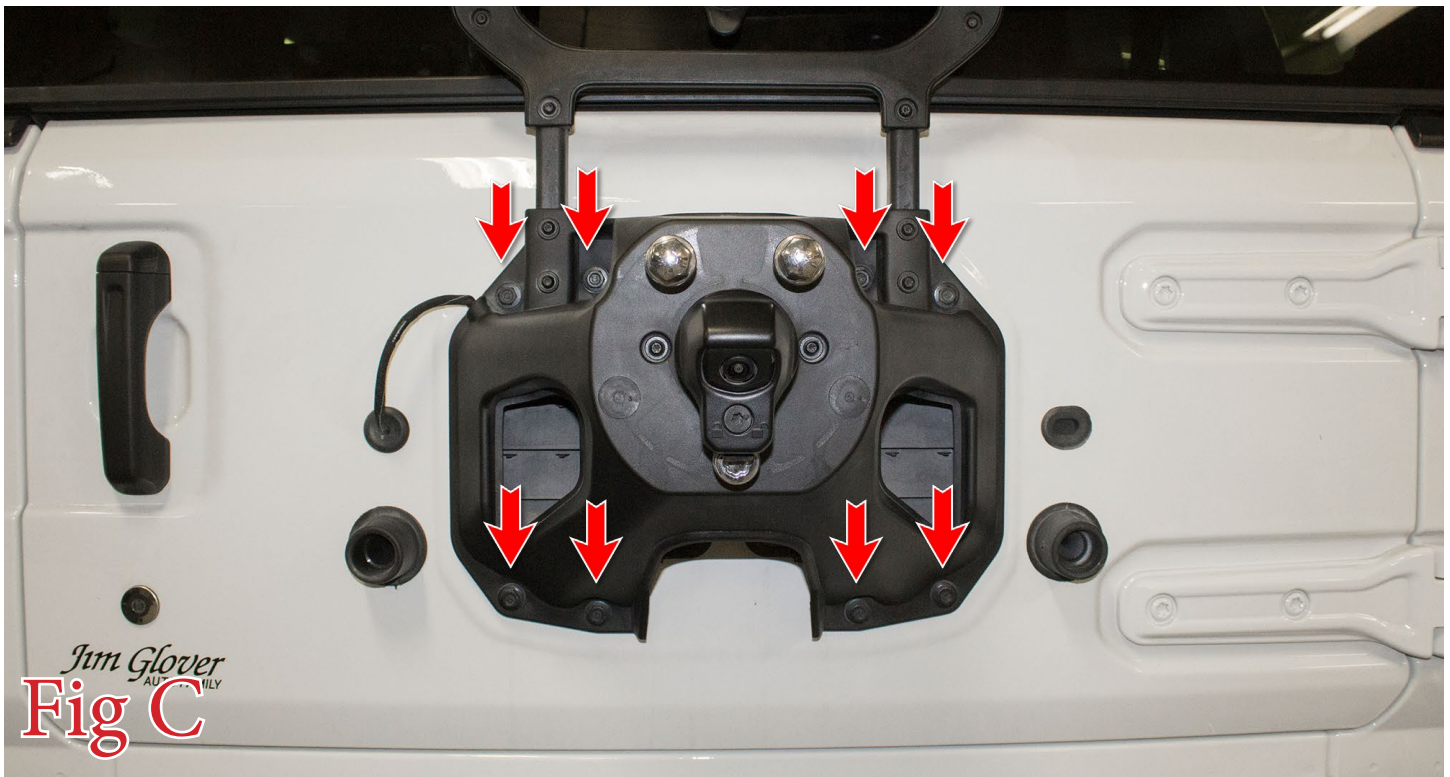


2. Release the OEM rubber grommet, then feed the connectors from Step 1 through the tailgate. (Fig B)

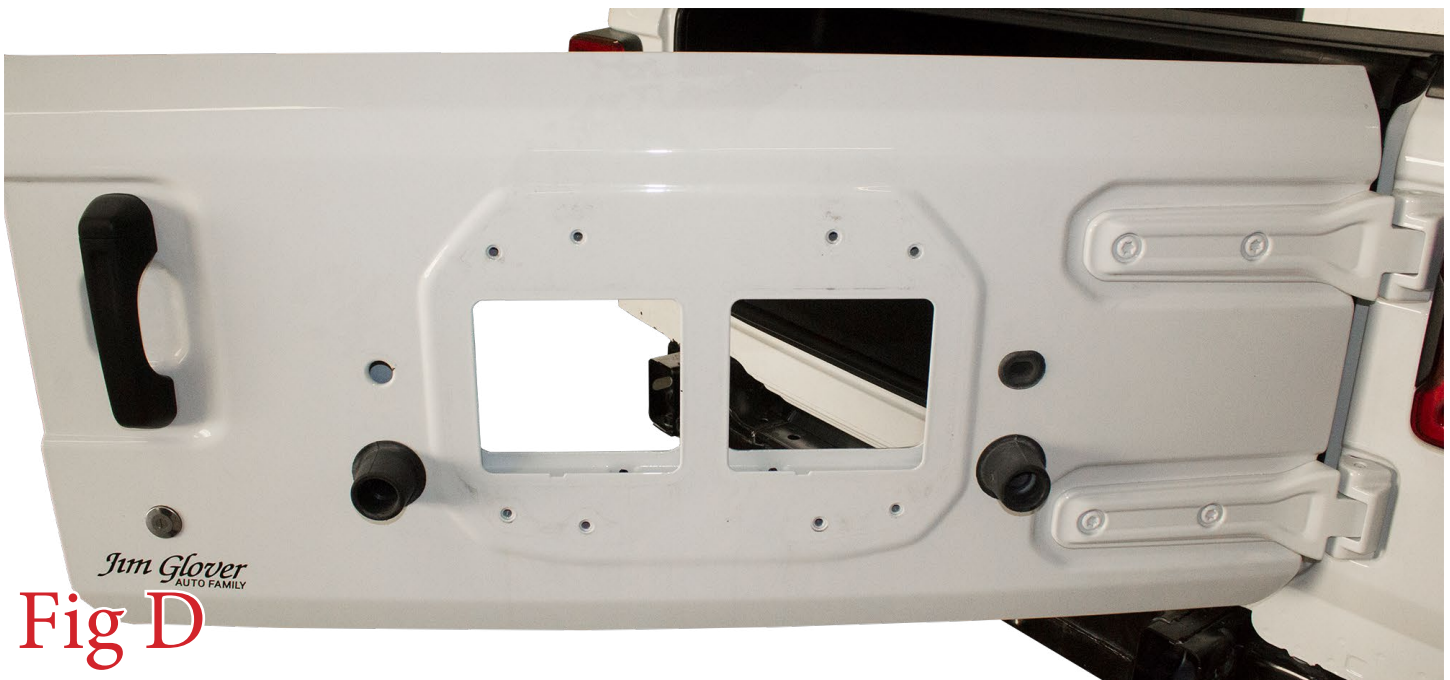




3. Using a 13mm Socket, remove the OEM spare tire mount bolts (x8). Then, remove the OEM spare tire mount from the vehicle. **Save these bolts for reuse.** (Fig C)



4. Remove the two cabin vents. Do this by releasing the clips on the back side of the vents. (Fig D)



5. Set the Tire Gate Mounting Bracket in place on your new bumper. Secure it to the bumper using the supplied 3/8" Bolts (x5), 3/8" Washers (x5), and 3/8" Lock Nuts (x5). Torque these bolts to 25 foot pounds. (Fig E)

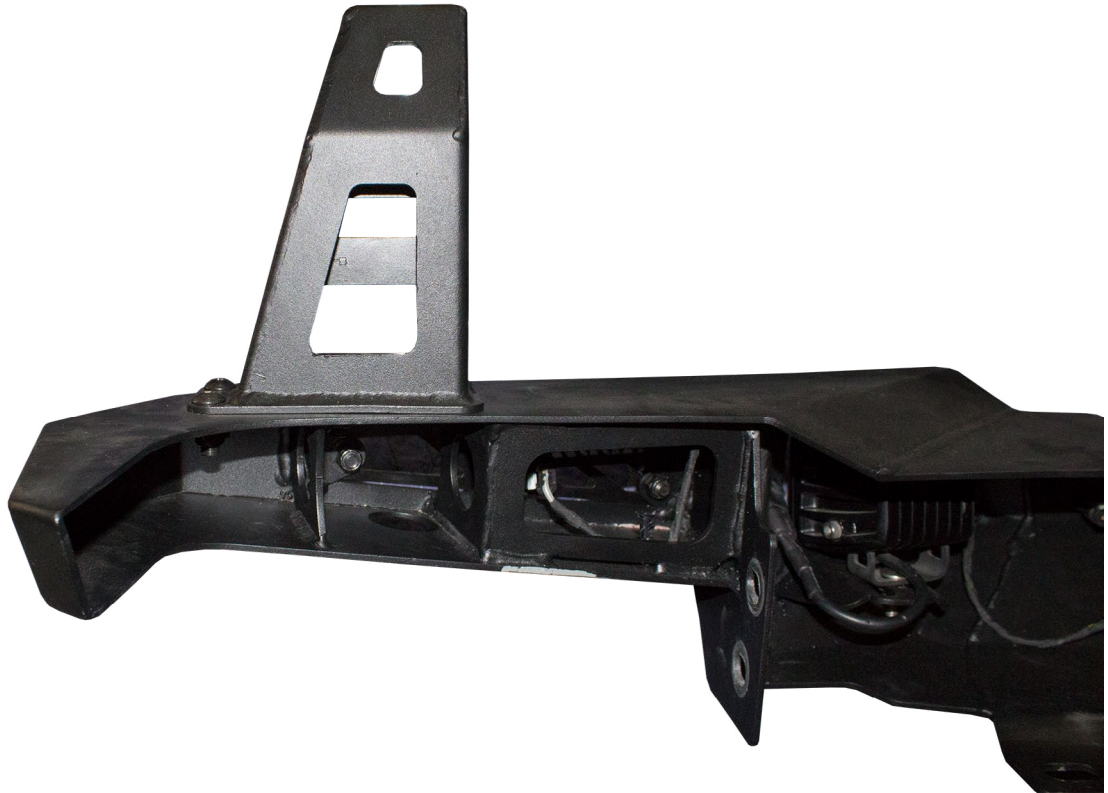


Fig E

6. Set the Spare Tire Mount in place on the Tire Gate. Secure the Mount to the Tire Gate using the supplied 1/2" x 1" Bolts (x6), 1/2" Washers (x12), and 1/2" Lock Nuts (x6). Once all bolts are loosely installed, go back and torque them to 70 foot pounds. (Fig F)



Fig F

7. Install the supplied 7/8" Heims (x2) and 7/8" Nuts (x2) on the Tire Gate. Set the length from the end of the nut to the end of the heim to 2 7/8" for the upper heim and 3" for the lower heim. (Fig G)

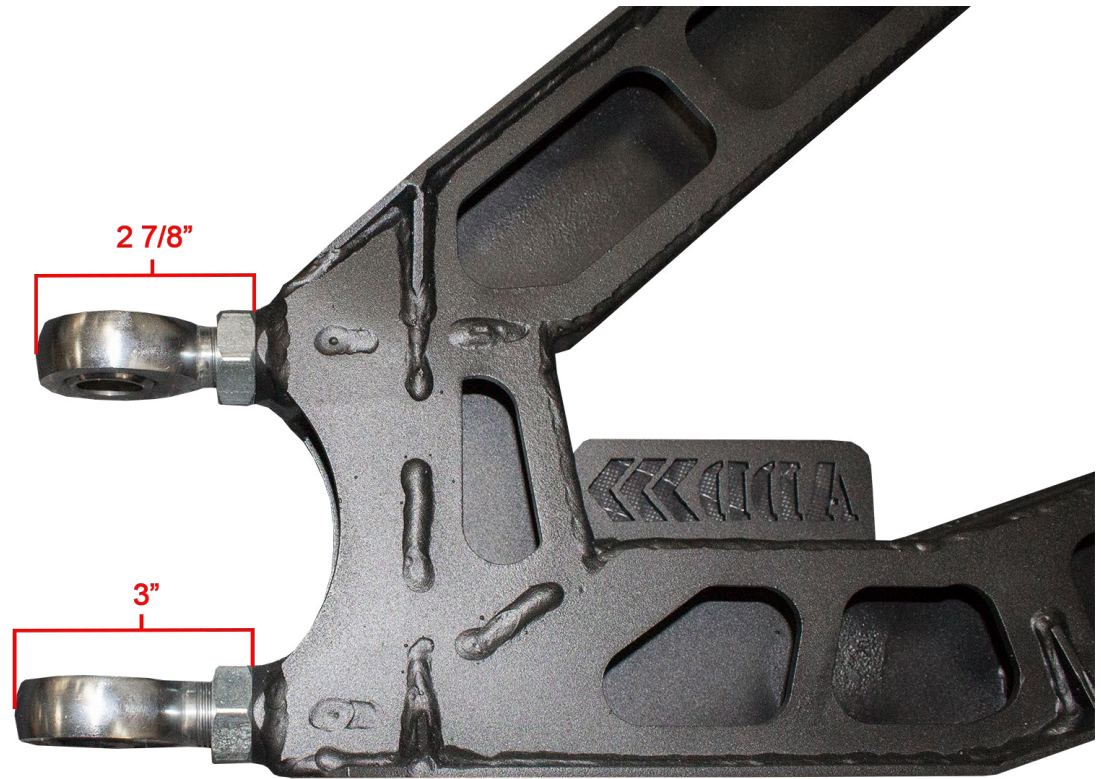


Fig G

8. Install the supplied 5/16" Nut Clips into the precut holes on the back side of the Tire Gate. Then, install the supplied rubber bumpers (x2) into the newly installed nut clips. (Fig H)

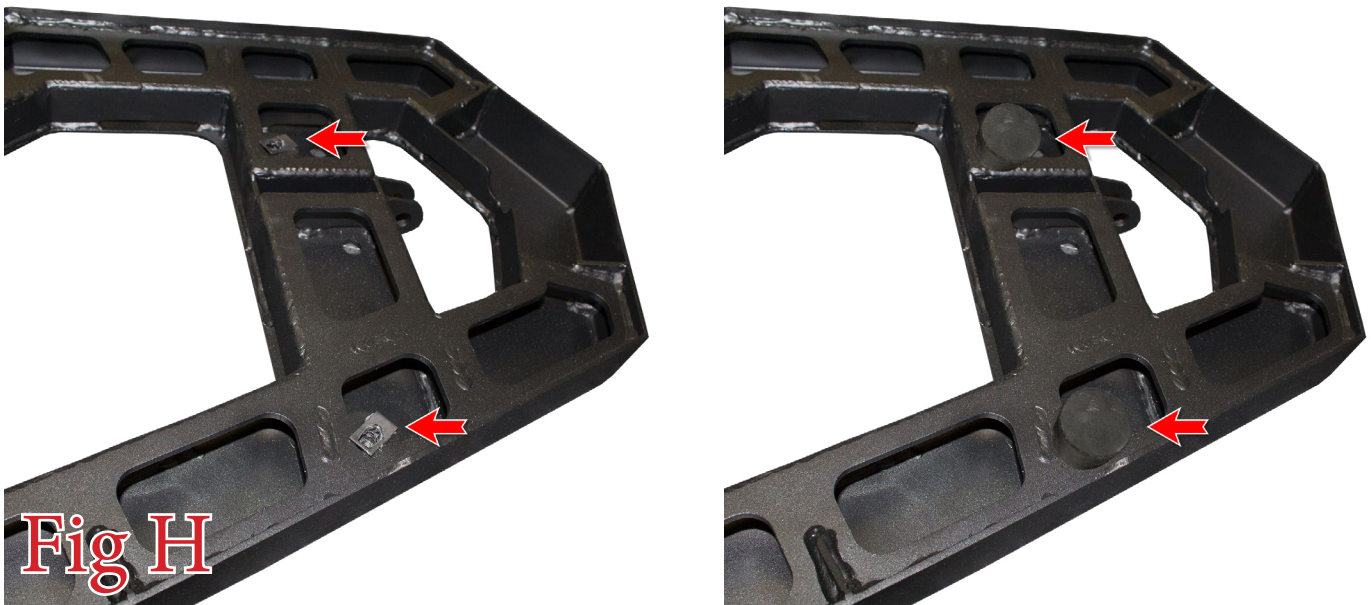
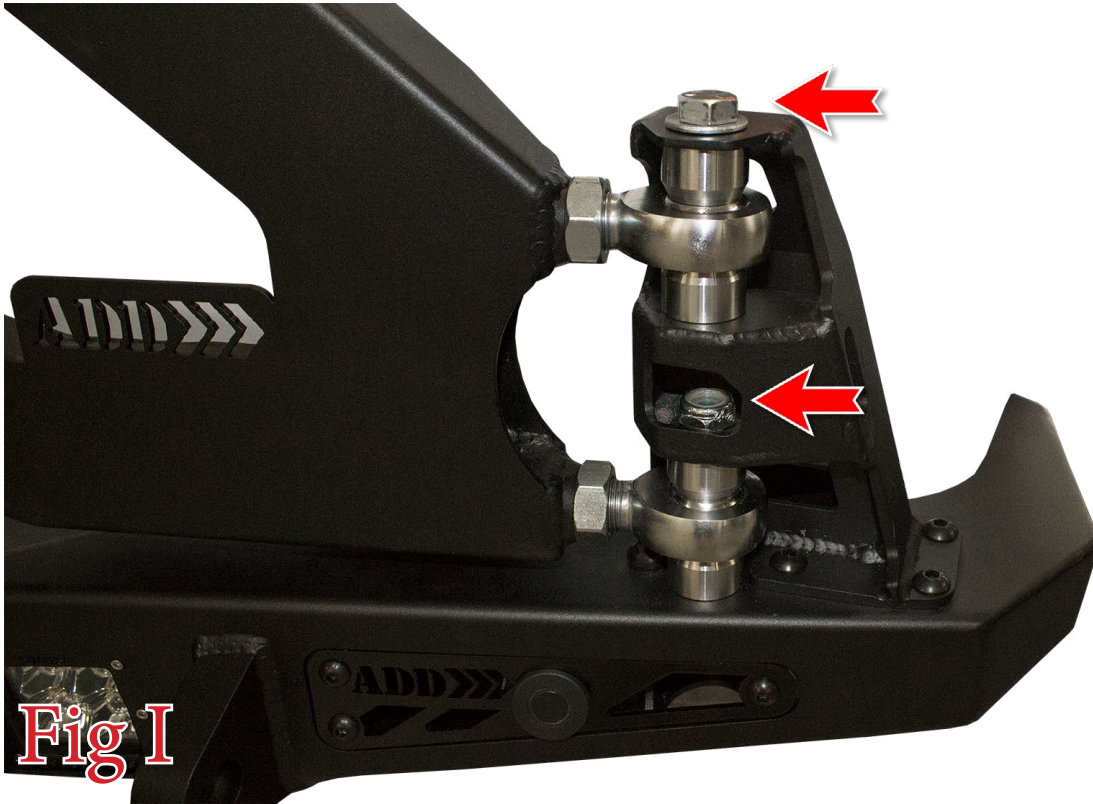


Fig H

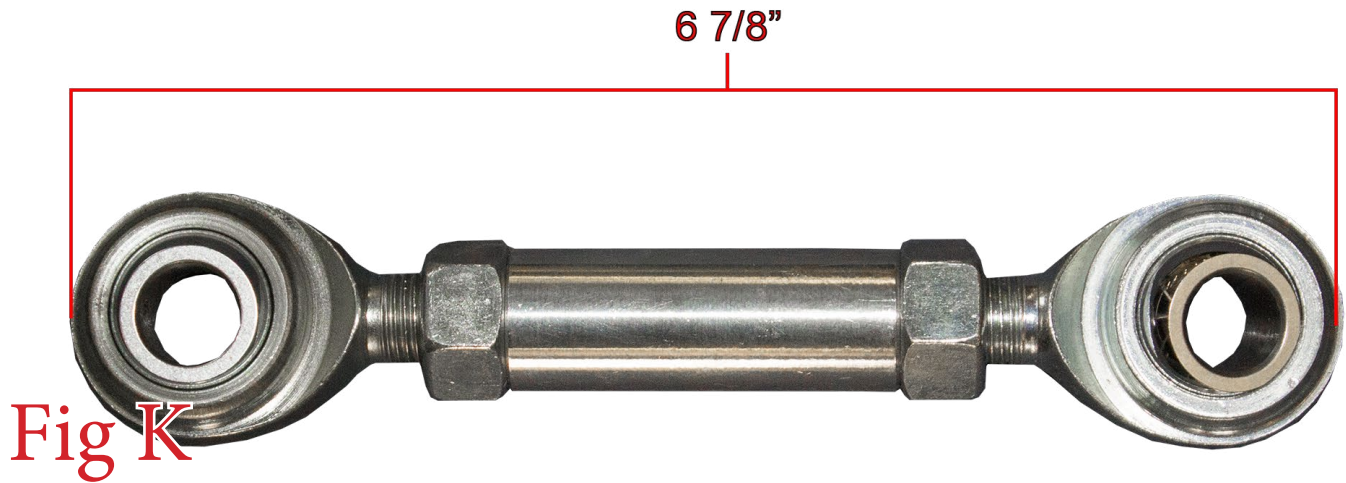
9. Set the supplied 7/8" Misalignment Spacers (x4) in place. Then, set the Tire Gate Assembly in place on the rear bumper. Secure the Tire Gate to the Rear Bumper using the supplied 9/16" Bolts (x2), 9/16" Washers (x4), and 9/16" Lock Nuts (x2). (Fig I)



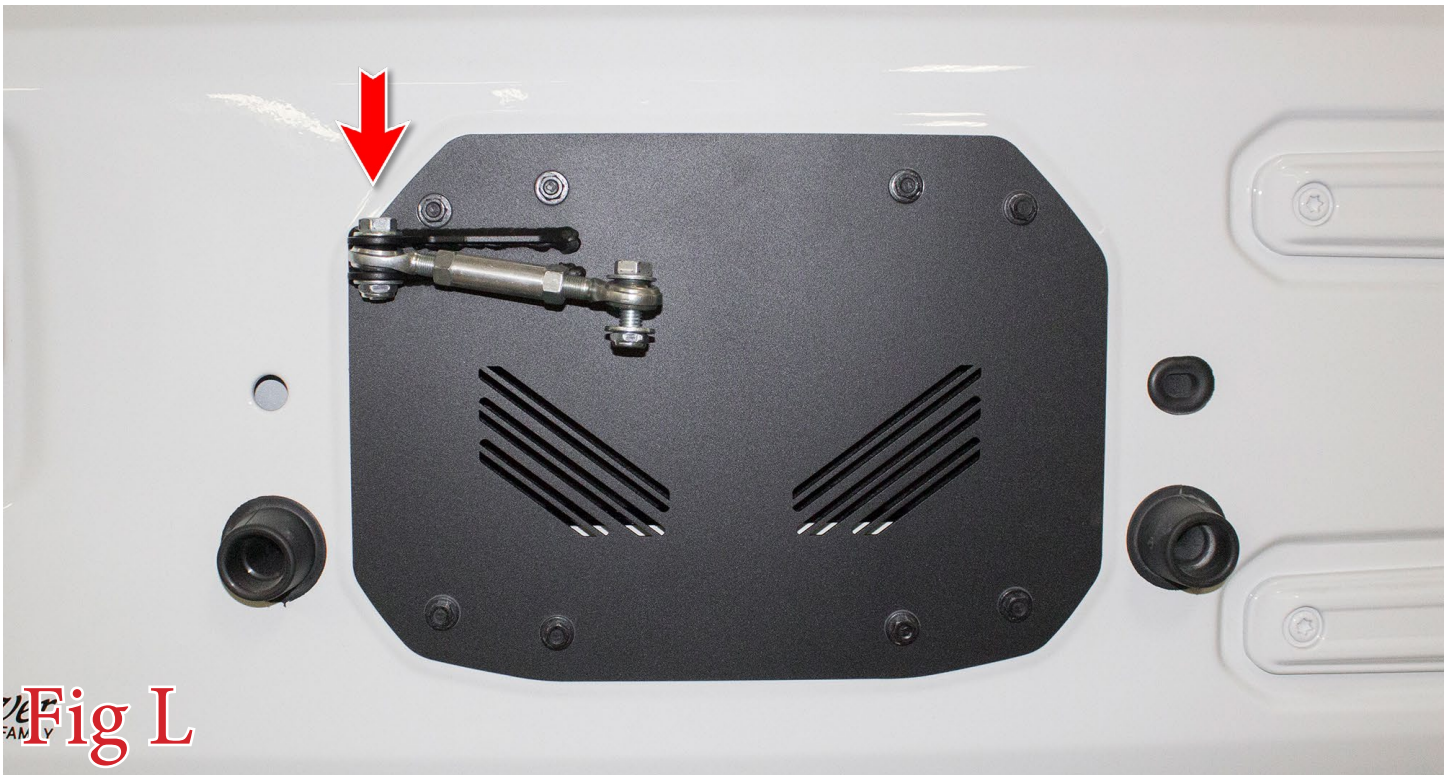
10. Install the supplied tailgate plate using the OEM bolts that were removed in Step 3. (Fig J)



11. Assemble the supplied Threaded Aluminum Tube (x1) with the supplied 1/2" Heims (x2) and 1/2" Nuts (x2). Adjust the heims so that the total length of the assembly is 6 7/8". (Fig L)



12. Install the assembly from Step 11 onto the tailgate plate. Use the supplied 1/2" x 1 1/2" Bolt (x1), 1/2" Washers (x2), and 1/2" Lock Nut (x1). (Fig L)



13. Complete Steps 24-30 of the Stealth Fighter Rear Bumper Installation Guide before moving on to Step 14 of this guide.

<http://www.addictivedesertdesigns.com/files/install/ADD-2018-Current-Jeep-JL-Stealth-Fighter-Rear-Bumper-Installation-Instructions.pdf>

14. Bolt the 1/2" Heim Assembly to the Tire Gate. Use the supplied 1/2" x 1 1/2" Bolt (x1), 1/2" Washers (x2), and 1/2" Lock Nut (x1). (Fig M)



15. If the Tire Gate does not sit straight in relation to the tailgate, you will have to adjust the mounting Heims. To do this you will have to remove the bolt from Steps 9 and 14 and remove the entire tire gate assembly from the bumper. If the tire gate is leaning down on the passenger side, screw the bottom heim in. If the tire gate is leaning down on the driver side, unscrew the bottom heim. Then reinstall all bolts.

16. If the Tire Gate is loose with the tailgate closed you may have to make the 1/2" heim assembly shorter. Do this by removing the bolts from Steps 12 and 14. Then, make the assembly shorter and reinstall those bolts.

17. Stand back and enjoy your new ADD Stealth Fighter™ Tire Carrier.

18. Check and re-tighten, if needed, all mounting bolts after 100 miles and periodically thereafter.



For Additional Support or Technical Questions,
Please Call 480-671-0820 or
Email Info@AddictiveDesertDesigns.com