

# QuadraTop® Adventure® Top

Installation Manual: for 2007-Current Wrangler (JKU) 4 Door

#11113.0335



**⚠ WARNING ⚠**

**TO REDUCE RISK OF SERIOUS INJURY OR PROPERTY DAMAGE: READ ALL SAFETY MESSAGES AND UNDERSTAND ALL INSTRUCTIONS AND PROCEDURE *NOTICES* BEFORE ATTEMPTING TO INSTALL OR USE THIS PRODUCT. FOLLOW ALL INSTRUCTIONS AND WARNINGS WITH PRODUCT & VEHICLE OWNERS MANUAL.**

**⚠ WARNING ⚠**

**LOSS OF VEHICLE CONTROL INVOLVES RISK OF DEATH OR SERIOUS INJURY, PARTICULARLY TO PARTS OF YOUR BODY NOT RESTRAINED WITHIN VEHICLE. THIS PRODUCT IS INTENDED FOR WEATHER PROTECTION ONLY AND SHOULD NOT BE RELIED UPON TO CONTAIN OCCUPANTS IN THE EVENT OF AN ACCIDENT OR TO PROTECT FROM EITHER GROUND CONTACT OR FALLING OBJECTS.**

**TO REDUCE RISK OF ACCIDENT OR INJURY:**

**ALWAYS WEAR SEATBELTS. ALWAYS KEEP HEAD, ARMS & BODY PARTS WITHIN VEHICLE. FULLY SECURE OR STOW THE SOFT TOP BEFORE DRIVING ACCORDING TO INSTRUCTIONS. NEVER TRY TO LATCH OR FOLD SOFT TOP WHILE DRIVING. DO NOT USE IF DAMAGED OR WORN. READ AND FOLLOW ALL INSTRUCTIONS & WARNINGS ACCOMPANYING THIS PRODUCT, IN YOUR VEHICLE OWNER'S MANUAL AND OFF ROAD DRIVING SUPPLEMENT.**

**⚠ CAUTION ⚠**

**RISK OF EYE INJURY! SAFETY GLASSES MUST BE WORN AT ALL TIMES WHILE INSTALLING OR MAINTAINING THIS PRODUCT.**



**The Trusted Source**

**A Few Words About Product Safety:**

Your QuadraTop Adventure soft top is intended to enhance the utility and enjoyment of your off road capable vehicle. Before installation, please review the following safety information and installation recommendations.

Throughout these instructions important safety information is generally preceded by one of three signal words indicating the relative risk of injury, property damage or adverse consequence. **The signal words mean:**

<b>⚠ WARNING ⚠</b>	a hazardous situation which, if not avoided, could result in death or serious injury. You <b>CAN</b> be <b>KILLED</b> or <b>SERIOUSLY HURT</b> if you don't follow instructions.
<b>⚠ CAUTION ⚠</b>	a hazardous situation which, if not avoided, could result in minor or moderate injury. You <b>CAN</b> be moderately <b>HURT</b> and also may suffer property damage if you don't follow instructions.
<b>NOTICE</b>	Careful attention is required to this instruction or operation but does generally not relate to personal injury. Damage to your Quadratec® product or other property may result if you don't follow instructions.

**Before You Begin Soft Top Installation:**

Congratulations on your purchase of the Adventure Top. This high quality soft top is designed to provide years of protection from whatever nature can throw at you! We have used only the finest materials in creating this soft top but like any product that is exposed to the elements, there is some general maintenance that is required to keep your top looking like new. Please see page 19 for these important maintenance tips as well as pages 3-4 for the list of hardware components. All of those parts will be available as repair/replacement parts if needed.

When unpacking, check to make sure all parts are included. If any part is missing or broken, please call Quadratec Customer Service at 800-745-6037 as soon as possible.

**Important:** Make sure you become familiar with the installation process of this top by reading the following instruction sheet thoroughly.

**Important:** For a smooth fit and ease of installation, this top should be installed at temperatures above 72 degrees. Below this temperature, the fabric may contract an inch or more making it difficult to install. We highly recommend taking the top out of the package and letting it sit inside a warm place or in direct sun light for 1-2 hours before you install the top. When warm, this top will install quickly.

**Important:** Note that it is normal for the fabric and glass to contract and wrinkle when stored in the shipping carton. In a few days the fabric and glass will relax & wrinkles will disappear.

Thank you again for your purchase and let's start the installation process!



**The Trusted Source**

**Kit Contents: 4 Door Adventure Top Parts List**



**AA:** Header Assembly  
11113.9028 (1)



**DD:** Puddle Pole 11113.9026  
(4)



**GG:** Retainer - Tailgate Bar  
Metal 11113.9022 (2)



**HH:** Retainer - Tailgate Bar  
Plastic 11113.9023 (2)



**KK:** Tailgate Bar 11113.9024  
(1)



**JJ:** Tailgate Retainer Bar Seal  
11113.9025 (1)



**II:** Self Tap Screw - Tailgate  
Retainer Bar 11113.9044 (4)



Top Deck 11113.9062 (1)



LH Quarter Window  
11113.9004 (1)



RH Quarter Window  
11113.9005 (1)



**EE:** Side Window Corner  
Support - LH 11113.9052 (1)



**FF:** Side Window Corner  
Support - RH 11113.9053 (1)



Rear Window 11113.9006 (1)



**REQUIRED TOOLS:**

- Safety Glasses
- Phillips Head Screwdriver
- T-30 Torx Bit (removal of OEM soft top if necessary)
- T-40 Torx Bit (removal of OEM hard top if necessary)
- Hand Drill and 1/8" Drill Bit  
(optional for pre-drilling door surround plastics)



**The Trusted Source**

**Kit Contents: Door Surround Parts List**



**C:** LH Upright 11113.9072 (1)



**D:** RH Upright 11113.9073 (1)



**A:** LH Upright Lower Plastic 11113.9074 (1)



**B:** RH Upright Lower Plastic 11113.9075 (1)



**E:** LH Upper Corner Plastic 11113.9070 (1)



**F:** RH Upper Corner Plastic 11113.9071 (1)



**K:** LH Door Bar 11113.9012 (1)



**L:** RH Door Bar 11113.9013 (1)



**Q:** LH Rear Door Bar 11113.9014 (1)



**R:** RH Rear Door Bar 11113.9015 (1)



**O:** LH Middle Plastic 11113.9018 (1)



**P:** RH Middle Plastic 11113.9019 (1)



**M:** LH Front Plastic 11113.9020 (1)



**N:** RH Front Plastic 11113.9021 (1)



**S:** Door Surround Knob - Long 11113.9040 (2)



**T:** Door Surround Knob - Medium 11113.9041 (2)



**U:** Door Surround Knob - Small 11113.9042 (2)



**H:** Upright Knob - Small 11113.9043 (2)



**I:** Door Surround Bracket Front 11113.9030 (2)



**J:** Door Surround Bracket Rear 11113.9032 (2)



**G:** Self Tapping Screw - Small Head 11113.9045 (28)

*The door surrounds are intended to be used with the Frameless and Fold Back Tops in place of the factory door surrounds. They have been designed to strengthen some of the weak areas of*

*the factory door surrounds and provide a simple, sturdy mount specifically for the Adventure Top. To begin, assemble both left & right door surrounds as follows:*



**The Trusted Source**

## Door Surround Assembly

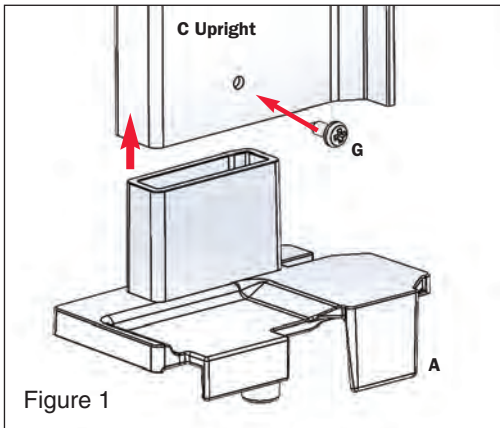


Figure 1

**Caution:** Put on safety glasses. Join the Left Hand Upright Lower Plastic (A) to the Left Hand Upright (C), drill a pilot hole using a  $\frac{7}{64}$ " bit and fasten with a Self-Tapping Screw (G). (See FIG 1) For other side, repeat to Join Right Hand Upright Lower Plastic (B) to Right Hand Upright (D) with Self-Tapping

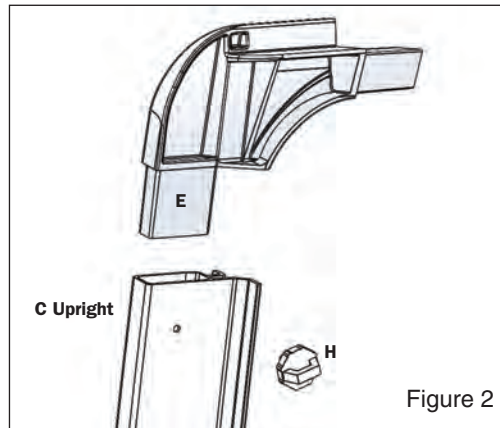


Figure 2

Screw (G). Next, insert Left Hand Upper Corner Plastic (E) to the Left Hand Upright (C) and secure the pieces with an Upright Knob (H). Repeat to Join the Right Hand Upper Corner Plastic (F) to Right Hand Upright (D) and secure the pieces with the other Upright Knob (H). (See FIG 2)

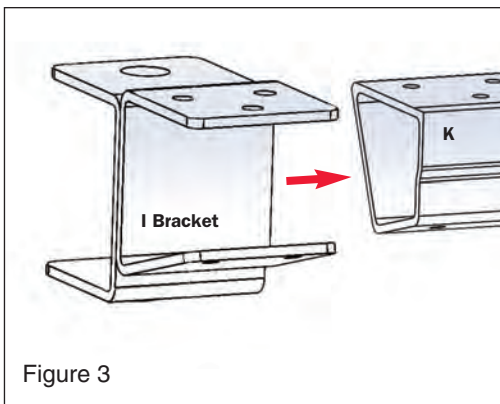


Figure 3

Slide a Front Door Surround Bracket (I) onto the Left Hand Front Door Bar (K). (See FIG 3) For other side, slide the Front Door Surround Bracket (I) onto the Left Hand Front Door Bar (L).

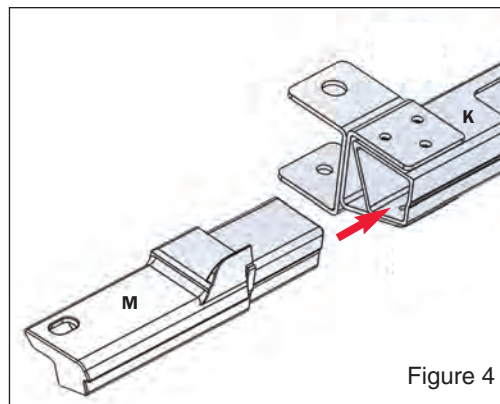


Figure 4

Insert the Left Hand Front Plastic (M) fully into the Left Hand Front Door Bar (K) as shown. (See FIG 4) Insert the Right Hand Front Plastic (N) into Left Hand Front Door Bar (L). (See FIG 4)



**The Trusted Source**

## Door Surround Assembly

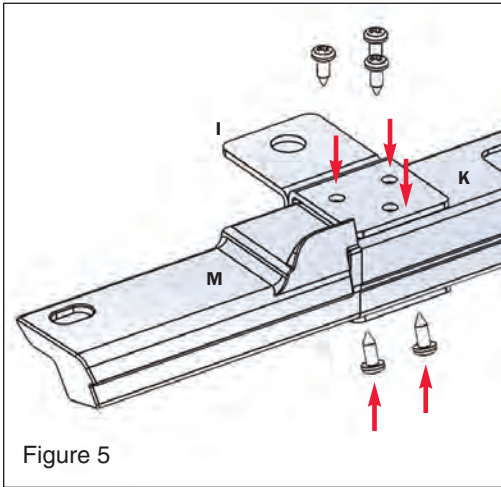


Figure 5

Slide the Left Front Door Surround Bracket (I) to 1/8" from the edge of the Left Hand Front Door Bar (K) as shown. Fasten Front Door Surround Bracket (I) to Left Front Door Bar (K) and through the Left Front Plastic (M). Drill pilot holes using a 7/64" bit and fasten using 5 Self-Tapping Screws (G). (See FIG 5) Hint: It's easier and more accurate to

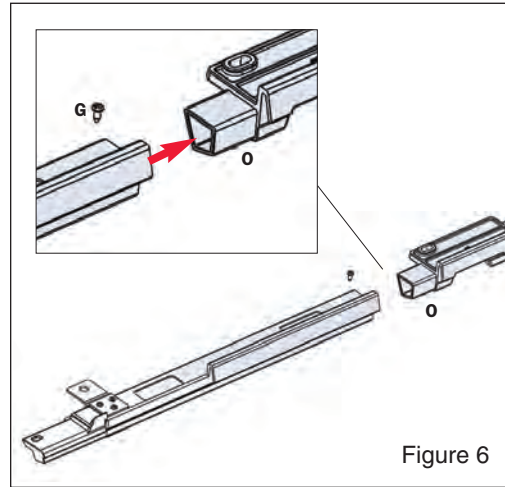


Figure 6

drill one pilot hole and secure one fastener first before drilling the remaining pilot holes. Repeat this procedure for the Right Side.

Next, install the Left Front Section Assembly to Left Middle Plastic (O) and secure with a Self-Tapping Screw (G). Repeat this procedure for the Right Side. (See FIG 6)

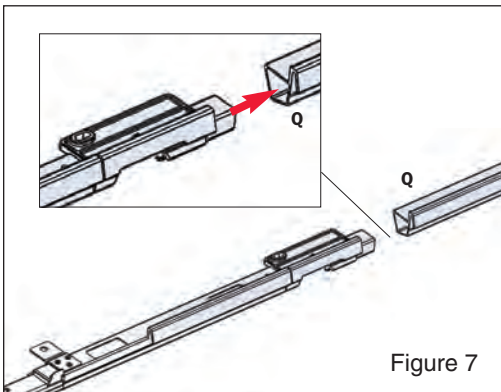


Figure 7

Install the Left Front Section Assembly (from FIG 6) to Left Rear Door Bar (Q) with a Self-Tapping Screw (G). (See FIG 7) Repeat this procedure for Right Side.

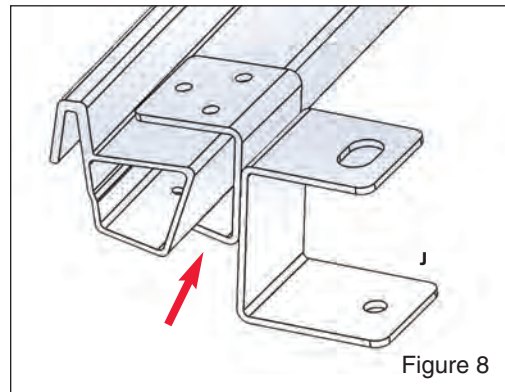


Figure 8

Slide a Left Rear Door Surround Bracket (J) to the Left Door Surround Assembly. (See FIG 8) Repeat this procedure for the Right Side.



The Trusted Source

## Door Surround Assembly

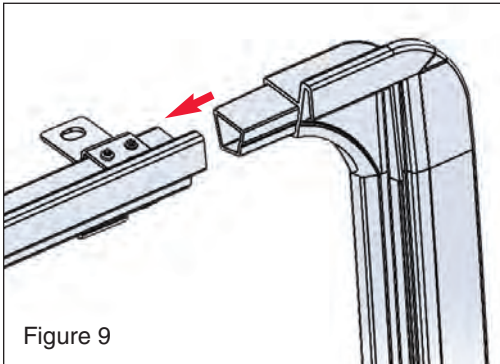


Figure 9

Insert the completed Left Upright Assembly in Figure 2 into the Left Door Surround Assembly completed in Fig8. (See FIG 9) Repeat this procedure for the Right Side.

Next, slide the Rear Door Surround Bracket (J) to 1" from the edge of the

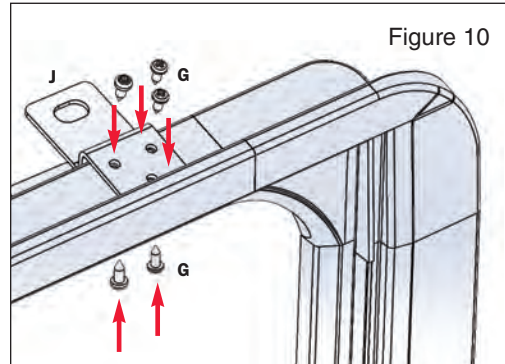


Figure 10

Left Hand Rear Door Bar (Q). Drill pilot holes using a 7/64" bit and fasten using 5 Self-Tapping Screws (G). Hint: It's easier and more accurate to drill one pilot hole and secure one fastener first before drilling the remaining pilot holes. (See FIG 10) Repeat this procedure for the Right Side.

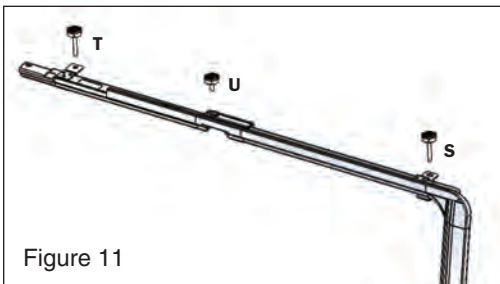


Figure 11

To install the completed left door surround assembly to the vehicle, use a long stem Door Surround Knob (S) to fasten the Rear Door Surround Bracket (J) to the sport bar. Use the short Door Surround Knob (U) at the Middle Plastic (O) location. Use the medium length Door Surround Knob (T) to fasten the Front Door Surround Bracket (I) to the sport bar. (See FIG 11) Repeat this procedure for the Right Side.



Figure 12

Install both left and right completed door surround assemblies using the appropriate knobs listed in (FIG 11). Firstly insert the Upright Lower Plastic's alignment pin into the body tub rail hole and slide the door surround assembly onto the sport bars and align the holes on the front and rear Door Surround Brackets. (See FIG 12)



**The Trusted Source**

#### 4 Door Adventure Top Installation:



Figure 13

*Make sure door surround brackets are not interfering with roll bar padding. (see FIG 13)*



Figure 14

*Make sure rubber gaskets are seated properly as shown. (see FIG 14)*



Figure 15

*Make sure the middle B-Pillar rubber gaskets are also seated properly. (see FIG 15)*



Figure 16

*Insert the appropriate knobs to secure the plate using Door Surround Knob (T) at the front and Door Surround Knob (U) at the Middle Plastic. The longest stem Door Surround Knob (S) secures the Rear Door Surround Bracket. (See FIG 16). Repeat this procedure for the Left Side.*



**The Trusted Source**



#### 4 Door Adventure Top Installation:

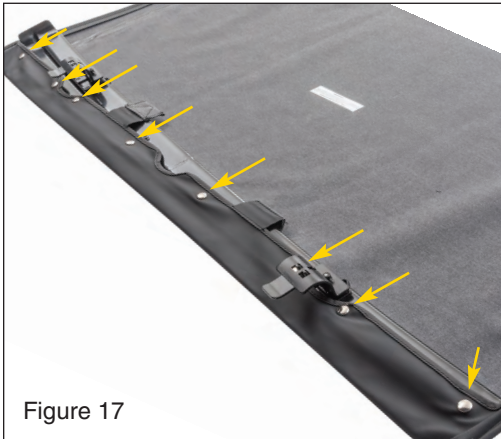


Figure 17

*Layout the Soft Top Deck Upside down and snap onto the Header Channel (AA) (See FIG 17).*



Figure 18

*Insert the two puddle poles (DD) into the pockets on the underside of the top deck. (see FIG 18)*



Figure 19

*Unscrew and remove left and right header clamps from the windshield header channel. Set aside for FIG 23. (See FIG 19)*



Figure 20

*Roll up the soft top deck to make it easier to install on vehicle. (See FIG 20)*



**The Trusted Source**

#### 4 Door Adventure Top Installation:



Figure 21  
*Place header channel with soft top onto vehicle. (see FIG 21)*



Figure 22  
*Align header channel brackets with footman loops as shown. (see FIG 22)*



Figure 23  
*Secure the Header Channel to the vehicle using the plate and the knob removed in FIG 19. (see FIG 23)*



Figure 24  
*Unfold the top over rear of vehicle. (see FIG 24)*



**The Trusted Source**

#### 4 Door Adventure Top Installation:

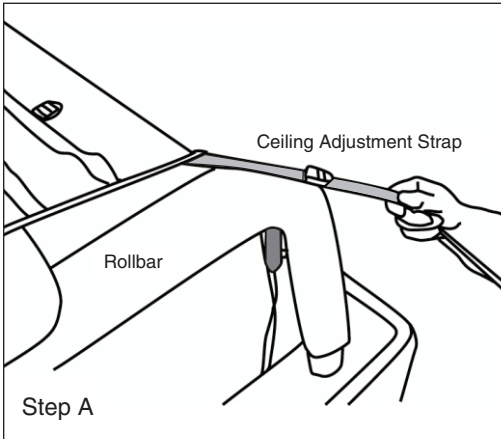


*Wrap the two straps around the sound bar towards the rear and hook them as shown. Pull tightly to secure. (see FIG 25)*

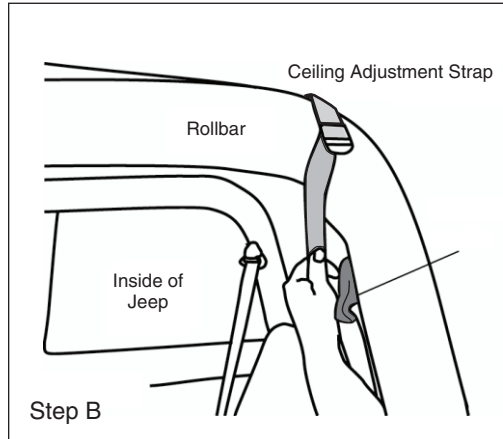


*Insert the two rear Anti-Puddle Poles (DD) into the pockets in the underside of the top deck as shown. (see FIG 26)*

#### Adventure Top Installation: Strap Routing



*Locate the ceiling adjustment straps (at rear corners on ceiling panel).*

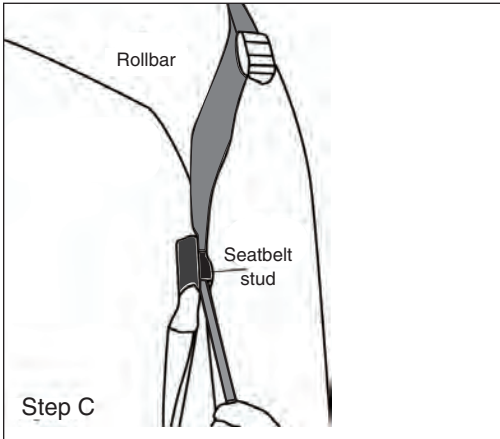


*Gently pull strap over the roll bar.*

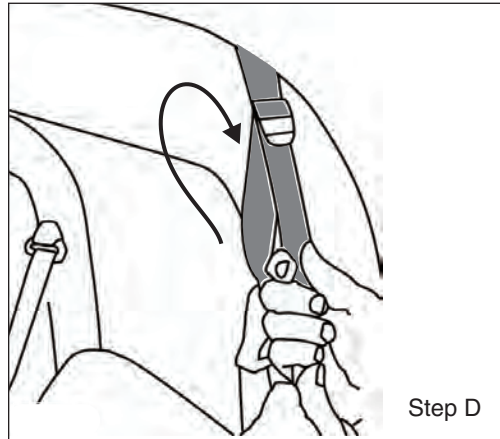


**The Trusted Source**

### Adventure Top Installation: Strap Routing

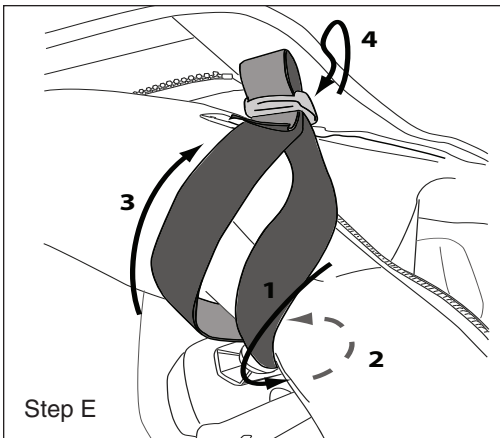


*Pull strap under the seatbelt stud (toward the inside) and back up to the strap adjustment buckle.*



*Tighten strap snug and perform the same procedure on the other side.*

### 4 Door Adventure Top Installation:



*Sequence for strap through buckle passage to pull tight.*



*After snugging both sides, check the top for evenness from side to side. Line up center strap with the center of the dome light. (see FIG 27)*



**The Trusted Source**

#### 4 Door Adventure Top Installation:



Figure 28

*Assemble the Side Window Corners (EE & FF) to each corner. Corner Convex faces to the outside and be sure to insert the corresponding left and right corner to their appropriate window sides (See FIG 28)*

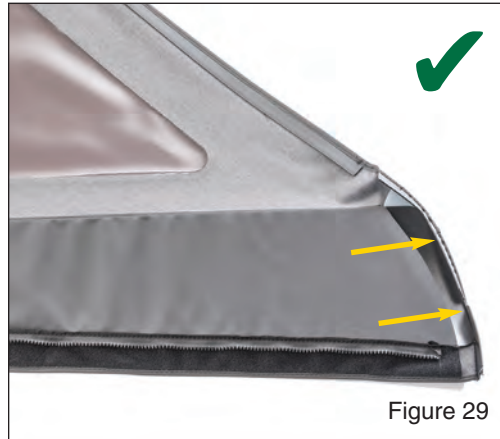


Figure 29

*Make sure plastic Side Window Corners are NOT seated too far into their pockets. This example shows how the Left Side Window should appear. (See FIG 29)*



Figure 30

**INCORRECT!** This example shows the Side Window Corner **IMPROPERLY** seated too far into the pocket. (See FIG 30)



Figure 31

**CORRECT!** This example shows the Side Window Corner **PROPERLY** seated flush with the bottom edge. (See FIG 31)

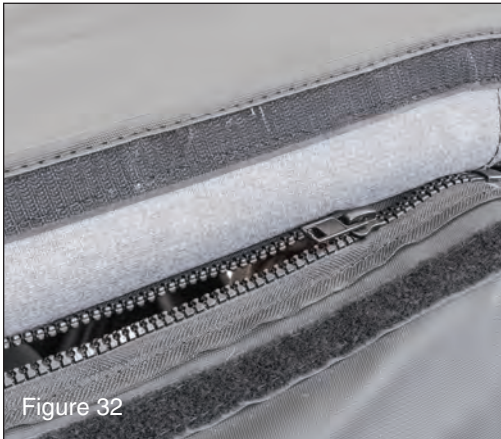
#### NOTICE

**THE RIGID PLASTIC INSERTS PREVENT THE TAILGATE BAR FROM PUNCTURING THE TOP. IMPROPER INSTALLATION CAN CAUSE THE TAILGATE BAR TO PUNCTURE THE WINDOW CORNERS.**



**The Trusted Source**

**4 Door Adventure Top Installation:**



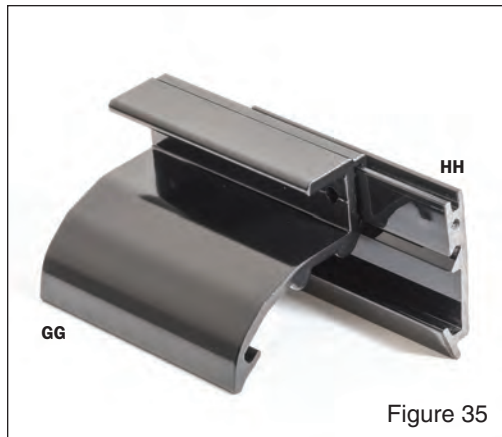
*Install side windows by starting the upper zippers as shown. Do not zip all the way at this time. (see FIG 32)*



*Install rear window to the 3 straps at rear of top. (see FIG 33)*



*Start rear window zipper to side window as shown. Do not zip all the way at this time. (see FIG 34)*

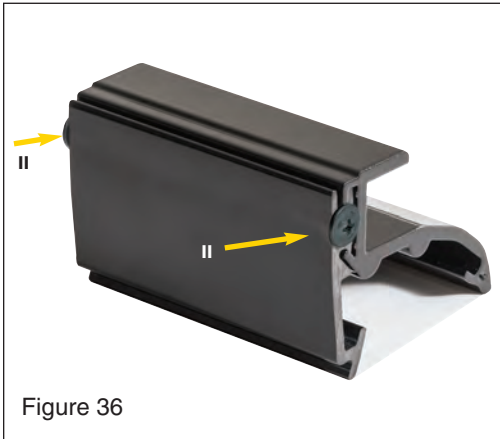


*Slide the Tailgate Bar Plastic Pieces (HH) onto the Tailgate Bar Metal Pieces (GG) as shown. (see FIG 35)*



**The Trusted Source**

#### 4 Door Adventure Top Installation:



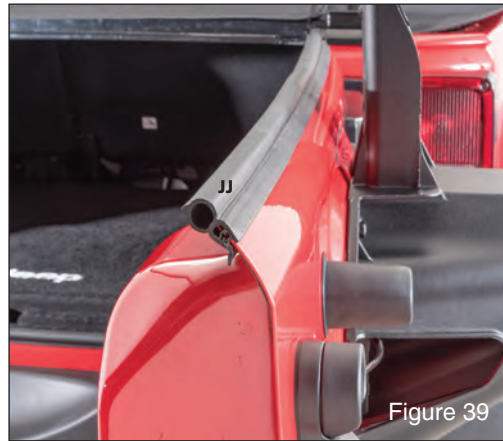
Using the self-Tapping Screws (II) secure the metal and plastic portions of the Tailgate Bar Retainers together by installing a screw from each end as shown. (see FIG 36)



Place completed tailgate bar brackets onto rear body tub and carefully roll them forward in place. (see FIG 37)



Installed brackets should appear as shown. (see FIG 38)



Install The Tailgate Bar Seal (JJ) to the tailgate as shown. Note orientation. (see FIG 39)



**The Trusted Source**

#### 4 Door Adventure Top Installation:



Figure 40  
*Slide the Rear Window Tailgate Bar (KK) onto the Rear Window as shown. Note orientation carefully. Insert the Tailgate Bar into the Tailgate Bar Retainers. (see FIG 40)*



Figure 41  
*Begin to secure the windows by starting with the vertical lip on the side windows as shown. (see FIG 41)*



Figure 42  
*Slide lower window channel into body tub rail as shown. (see FIG 42)*



Figure 43  
*Work your way around the corners of the rear window. Starting from the side. (see FIG 43)*



**The Trusted Source**



#### 4 Door Adventure Top Installation:



*Clip in the last portion of window corner under the rear window retainers as shown. (see FIG 44)*



*Zip all side and rear windows completely. Make sure hook & loop flaps are layered as shown. (see FIG 45)*



*Lastly, secure soft top deck into door surrounds as shown. (see FIG 46)*

*Congratulations! You have successfully completed installation of your Adventure Top!*



**The Trusted Source**

#### **4 Door Adventure Top Installation:**



*Please note, easy removal of 3 windows to create the ultimate Bimini Plus Top, which easily converts back to a weather proof complete soft top.*



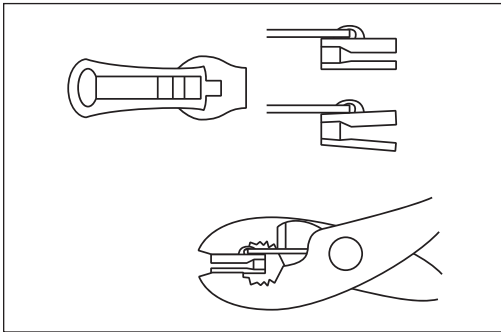
**The Trusted Source**

### Care and Maintenance:

Your QuadraTop is made of the finest materials available but to keep it looking new and for the maximum possible wear, it will need periodic cleaning and basic maintenance. The main threats to your soft top are pollutants, dirt and grime. By keeping your soft top clean you will prolong the life of your top. We recommend the following to keep your top like new:

**Washing:** The soft top fabric should be washed often using a mild soap, warm water and a soft bristle brush (do not use the brush on the window glass!). You can also use special soft top cleaners available on our website. Make sure that after cleaning you rinse with clear water to remove all traces of soap.

**Zippers:** Keeping the zipper cleaned and lubricated with a silicone lubricant (#91083.400) will help prevent damage and keep the zippers in a smooth working condition. If zipper opens behind the slider, the slider may have been spread apart. This problem can usually be fixed by using an ordinary pair of pliers to



bring the sides back into parallel. Return slider to the end of the zipper in the normal Open position. Squeeze lightly at first and test zipper. If the zipper contin-

ues to remain open squeeze more firmly with pliers and try the zipper again. Repeat procedure until your zipper operates correctly.

**Windows:** It is very important that you keep your QuadraTop windows clean! Use a mild soap and water solution to gently clean your windows. NEVER wipe your windows clean with a dry cloth! Dust and dirt on a dry cloth can scratch your windows causing "fogging" and permanent damage. When removing your windows, store them with a towel between the panels/rear windows to protect them from damage. If frost or ice forms on the outside of your windows during the winter, DO NOT use an ice scraper to remove this frost. Over time you will see small micro scratches in your windows which are natural wear and tear. These Micro scratches can be "polished" out using the window polish (#91083.000 available at [Quadratec.com](http://Quadratec.com)).

**Water/Fabric:** In the event of seeping through the seams, 3M Scotchgard® may be applied on the inside of the seams to stop the see. Rips in the fabric may be repaired with Bondex® iron on patches. Iron the patches to the Inside of the top, carefully following the Bondex® instructions.

**Snaps:** Keep snaps cleaned and lubricated with silicone to help prevent snaps from sticking to the studs. If a snap does become stuck to a stud, use a screwdriver and GENTLY pry apart to prevent permanent damage to the snap or the top fabric.



**The Trusted Source**

# Quadratec® Limited Warranty

## for QuadraTop Adventure® Top Premium Replacement Soft Tops

Your QuadraTop® Adventure Top replacement soft top is covered by the following **Limited Warranty** provided exclusively by Quadratec, Inc., 1028 Saunders Lane, West Chester PA 19380.

This Limited Warranty is the only warranty made in connection with your purchase. Quadratec neither assumes nor authorizes any vendor, retailer or other person or entity to assume for it any other obligation or liability in connection with this product or Limited Warranty. This Limited Warranty does not apply and is not cumulative to any accessory or part distributed by Quadratec for which the Manufacturer provides a separate written warranty.

**What is Covered:** Subject to the terms, exclusions and limitations herein and with respect only to QuadraTop soft tops first sold in the United States, Quadratec warrants to the initial retail purchaser only that your QuadraTop soft top shall be free of defects in material and workmanship: **for a period of 3 years from date of initial retail sale.**

All other warranties are hereby disclaimed, except to the extent prohibited by applicable law in which case any implied warranty of merchantability or fitness for a particular purpose on this product is limited to 3 years from date of initial retail sale. Quadratec reserves the rights to: (a.) require invoice or other proof your soft top is within the terms of this **Limited Warranty** as a condition of warranty service and, (b.) make future revisions to this product and **Limited Warranty** without prior notice or obligation to upgrade your soft top.

**What is Not Covered:**

Your Quadratec **Limited Warranty** does not cover products or parts Quadratec determines to have been damaged by or subjected to: (a.) installation damage, alteration, modification, failure to maintain or attempted repair or service by anyone not authorized by Quadratec, (b.) normal wear and tear, cosmetic damage or damage from water immersion, (c.) Acts of God, accidents, misuse, negligence, inadequate mounting or impact with vehicle(s), obstacles or other aspects of the environment, (d.) theft, vandalism or other intentional damage.

**Remedy Limited to Repair/Replacement:**

**The exclusive remedy provided hereunder shall, upon Quadratec inspection and at Quadratec's option, be either repair or replacement of product or parts (new or refurbished) covered under this Limited Warranty.** Customers requesting warranty consideration on QuadraTop soft top should first contact Quadratec to obtain a RGA number (610-701-3336). All labor, removal, shipping and installation costs are customer's responsibility.

**Other Limitations - Exclusion of Damages - Your Rights Under State Law:**

In consideration of the purchase price paid, neither Quadratec nor any independent Quadratec distributor/licensee are responsible for any time loss, rental costs, or for any incidental, consequential, punitive or other damages you may have or incur in connection with any part or product purchased. Your exclusive remedy hereunder for covered parts is repair/replacement as described above.

This **Limited Warranty** gives you specific rights. You may also have other rights that vary from state to state. For example, some states do not allow limitations of how long an implied warranty lasts and/or do not allow the exclusion or limitation of incidental or consequential damages, so the limitations and exclusions herein may not apply to you.

©Quadratec, Inc. 2017. All Rights Reserved.  
1.20.17 LTR Version Part #12999.3053

The terms Quadratec®, QuadraTop®, Adventure® and Essentials® and are Registered Trademarks of Quadratec Inc. Registered in U.S. Patent and Trademark Office.



**The Trusted Source**