



PROCAL HARNESS

FOR 2018+ JL WRANGLER

PLEASE READ BEFORE YOU START

To guarantee a quality installation, we recommend reading these instructions thoroughly before beginning any work. These instructions assume a certain amount of mechanical ability and are not written nor intended for someone not familiar with auto repair.

INCLUDED PARTS

AEV Programming Harness

QTY

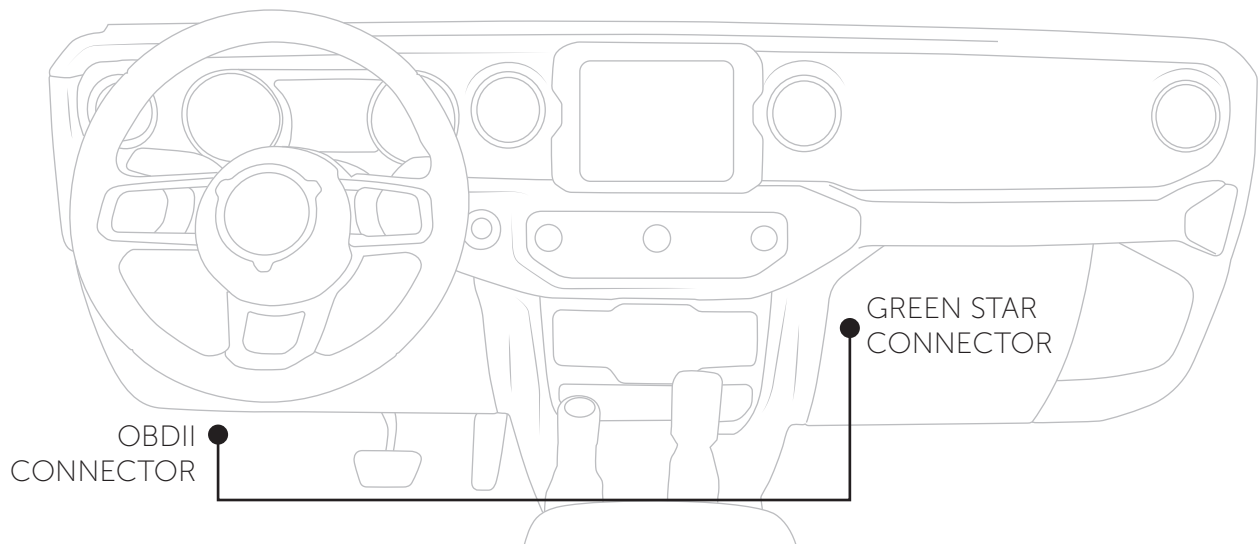
1

REQUIRED TOOLS

Small Screwdriver or Dental Pick

OVERVIEW

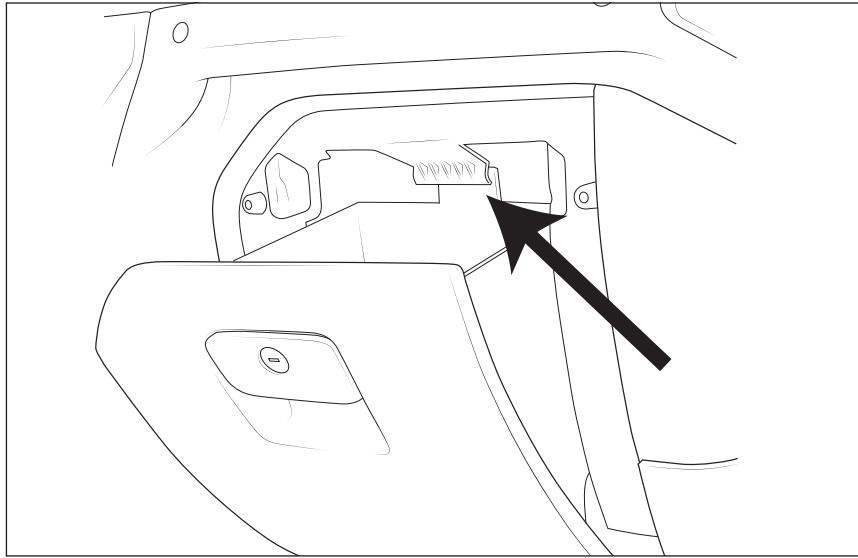
Before using the ProCal SNAP to recalibrate your vehicle you will need to install this harness for the ProCal SNAP to connect. The harness will run from the vehicle's OBDII connector to the GREEN star connector located behind the glove compartment.



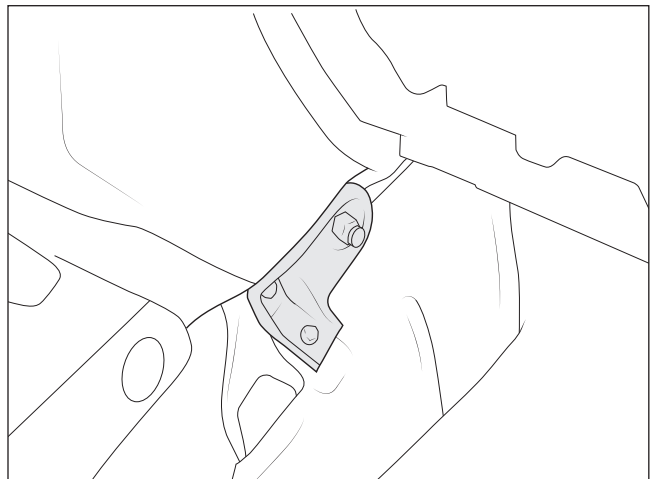
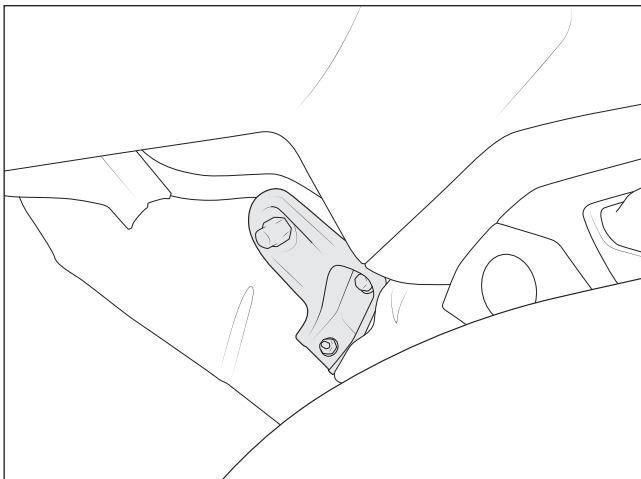
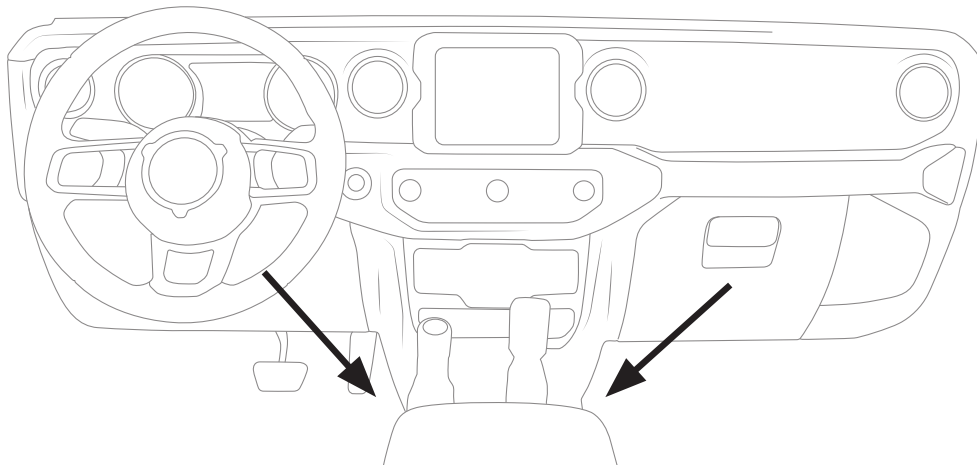


INSTALLATION

1. Open the glove compartment. Pull the release tab to remove the glove compartment box.

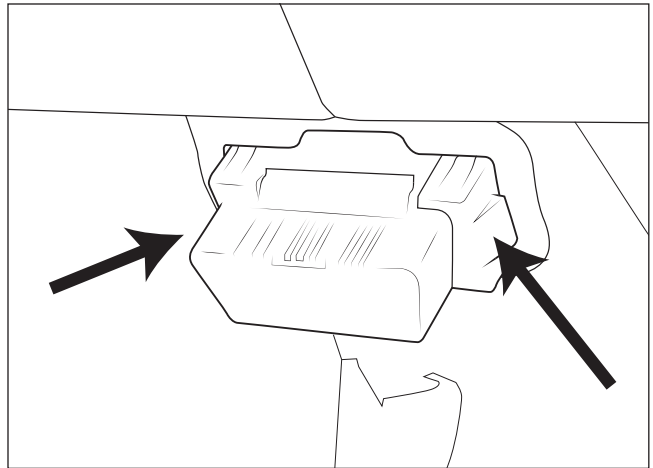
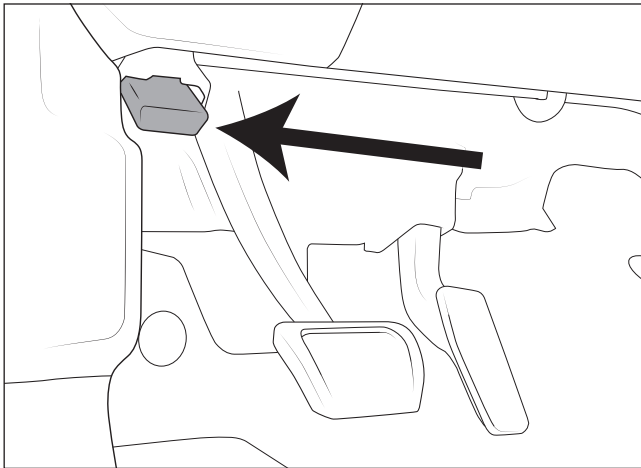


2. Pull back the carpeting on each side of the center console and remove the brackets shown. Save for re-installation.

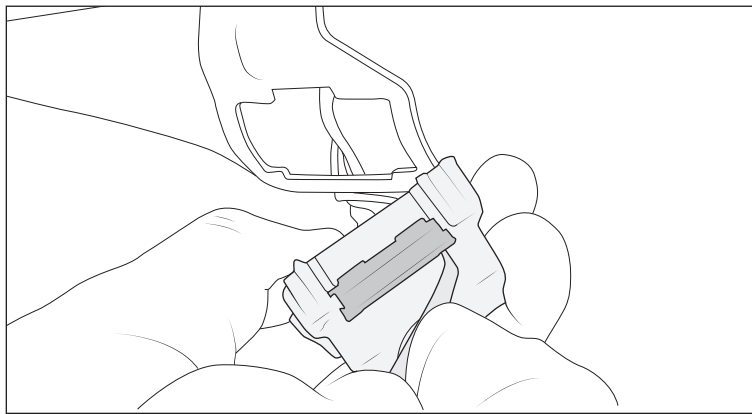




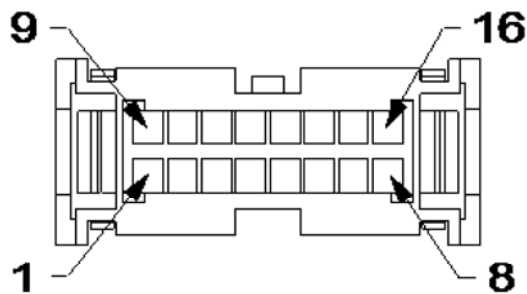
3. Locate the OBDII connector below the dashboard. Pinch tabs to release the OBDII connector from the bracket.



4. Use a small screwdriver or dental pick, LIFT the locking tabs on BOTH sides of the OBDII connector.



5. Install the 2 terminals of the harness into the OBDII connector according to labels in cavities 1 and 9
NOTE: although small, the cavities are labeled on the front of the connector (fig. 5).

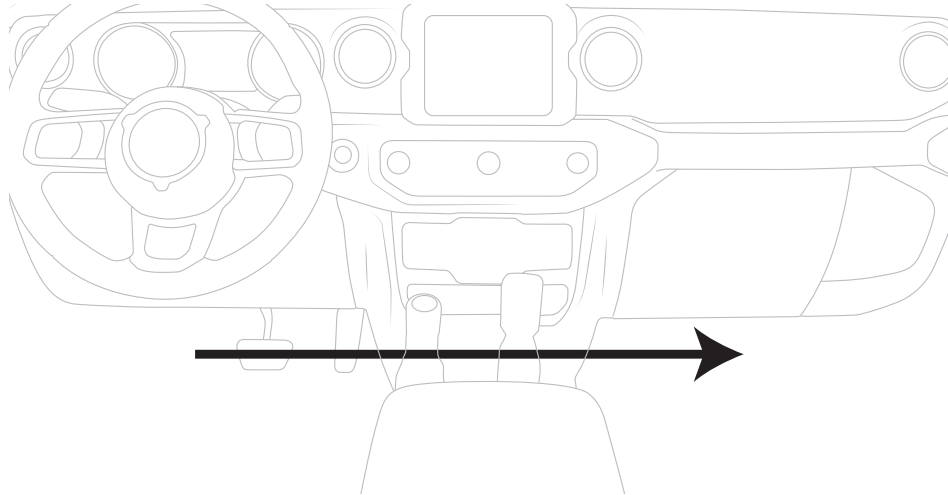


Wire insertion side shown

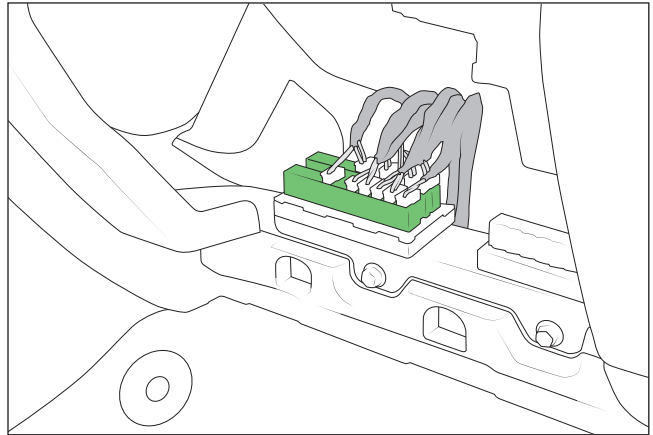
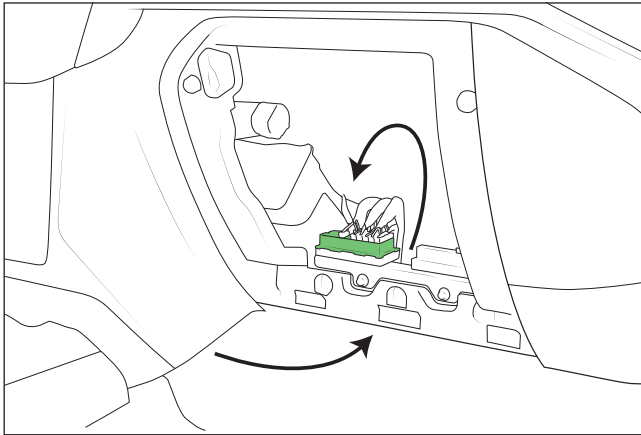
6. Close the locking tabs on the OBDII connector and re-install into the bracket.



7. Feed the end of the harness with the WHITE connector through the center console into the passenger side.



8. Feed the WHITE connector into the glove compartment cavity from underneath and plug into ANY OPEN SLOT on the green star connector.



9. Re-install the brackets removed in step 2 and replace carpeting.
10. Re-install glove compartment box.
11. Follow instructions for using the ProCal SNAP module.