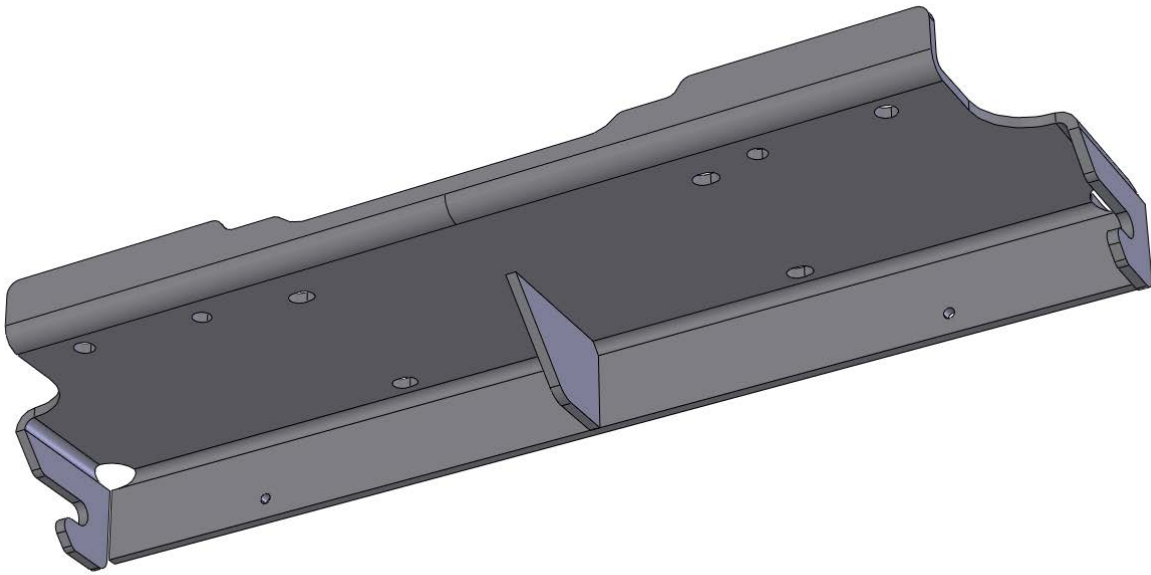


JK WINCH MOUNT



Installation Guide – AEV30111AC (Updated 07/2/2013)

This page left intentionally blank

PLEASE READ BEFORE YOU START

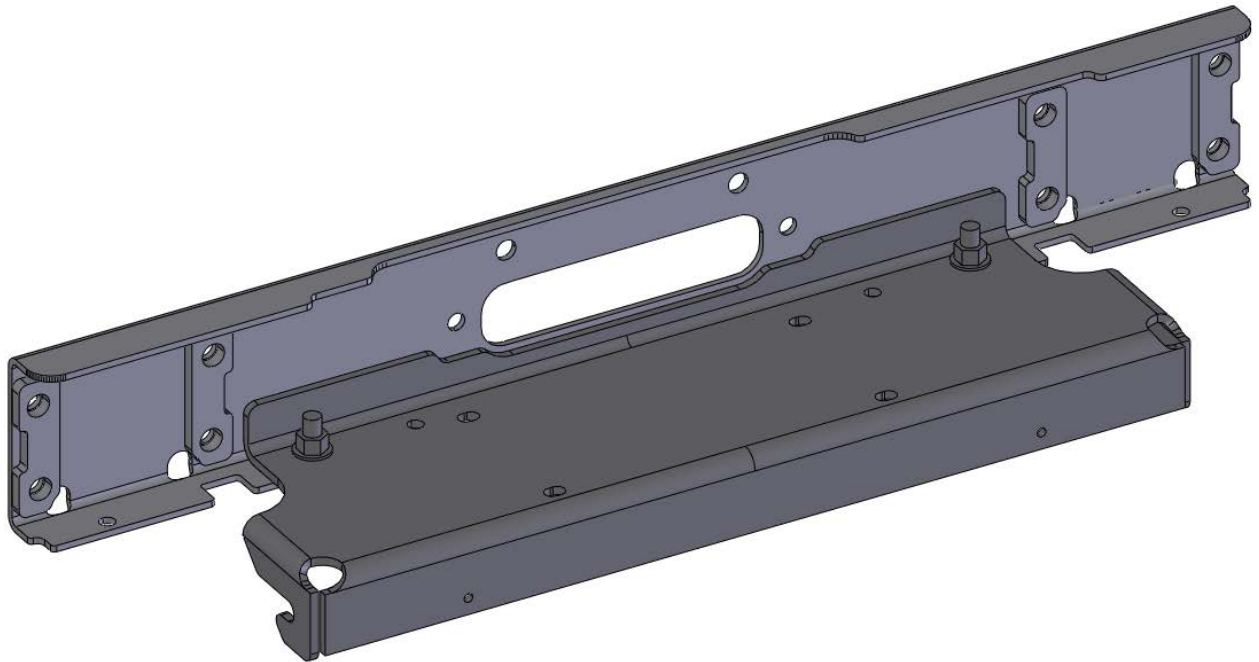
IN ORDER TO INSTALL THIS PART PROPERLY YOU OR YOUR INSTALLER MUST READ THESE INSTRUCTIONS THOROUGHLY BEFORE BEGINNING THE INSTALLATION. FAILURE TO DO SO MAY RESULT IN MISTAKES AND AFFECT THE QUALITY OF THE FINISHED PRODUCT.

Included Parts	QTY	Required Tools
Winch Plate	1	Common Hand Tools
Hardware Pack	1	

A. INSTALLATION

1. You will need to remove the front bumper and fairlead bracket from the vehicle if previously installed
2. Start with removing the (4) 3/8" bolts on the backside of the bumper, which attach the bumper to the closeout brackets
3. While a helper holds the bumper in place remove the main (8) button head bolts.
4. Make sure you have a good hold of both the bumper and fairlead bracket. Remove from vehicle

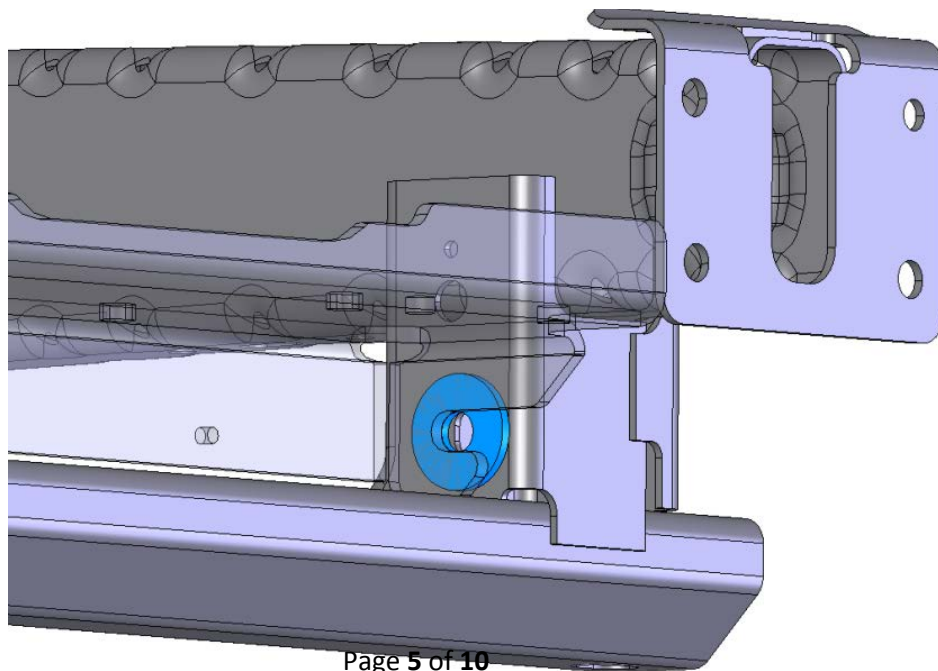
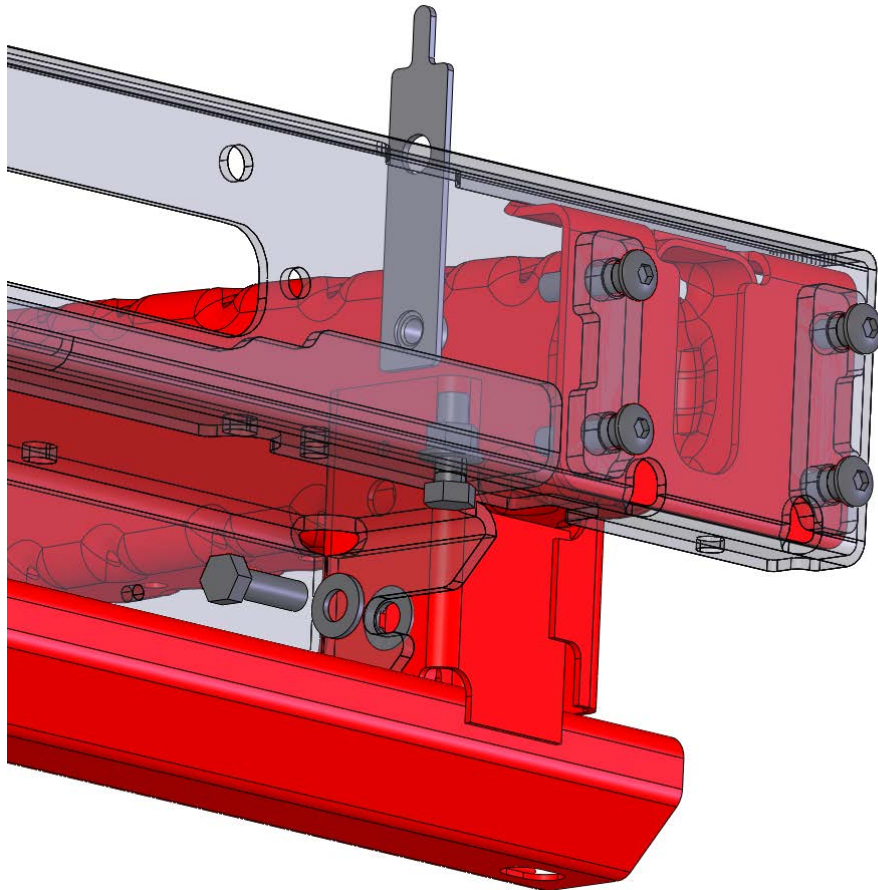
B. WINCH PLATE INSTALLATION 2007-2011 VEHICLES (FOR 2012 VEHICLES PROCEED TO STEP C)



1. Assemble the winch plate and fairlead brackets together. Use the M12 hex head bolts and flange nuts going from the bottom up(washer not needed) as shown above
2. Place the winch mount assembly into position onto the frame as shown on the next page
3. With the winch mount aligned, bolt the winch mount to the lower frame attachment points using the M12 hex head bolts, washers, and nut plate
4. **FOR 2007-2011 USE THE SUPPLIED LARGE THICK WASHER BETWEEN THE WINCH MOUNT AND FRAME AS SHOWN. THERE IS ADDITIONAL HARDWARE AND BRACKETS INCLUDED IN THE KIT FOR 2012 VEHICLES ONLY.**
5. Install the square nuts that come with the winch kit into the winch and feet. A little silicone is

helpful to hold them in place.

6. Place the winch onto the winch mount. Do not install winch mounting bolts at this time. You will do this later after installing the bumper



C. WINCH PLATE INSTALLATION - 2012 AND NEWER

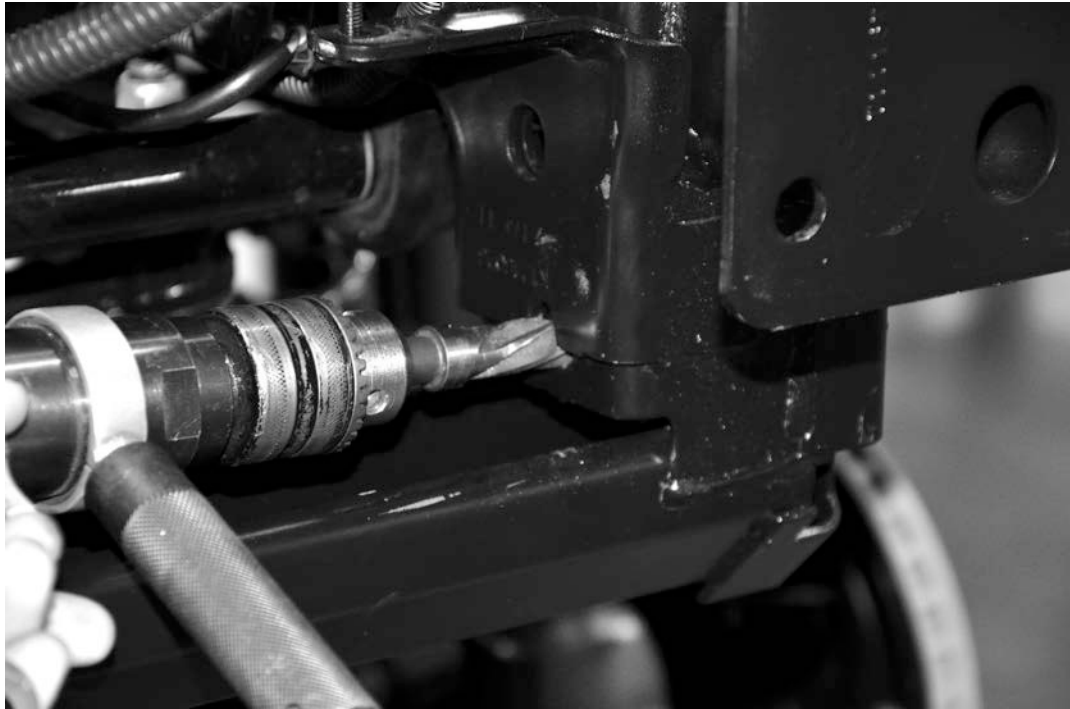
1. Remove and save the 2 M6 nuts and lift the vacuum pump off the factory bracket.



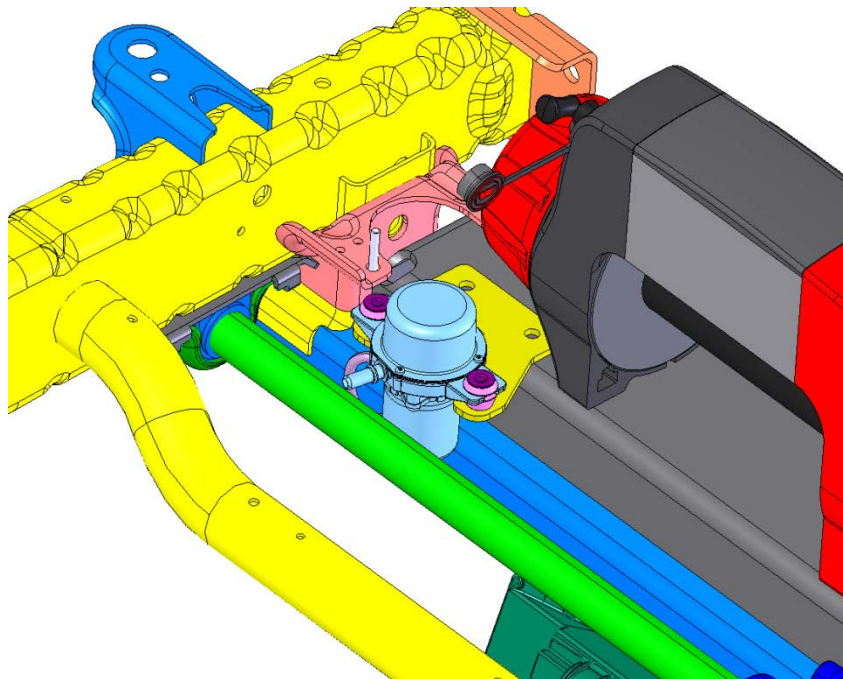
2. Assemble the supplied AEV vacuum pump bracket to the winch mount as shown using the supplied hardware.

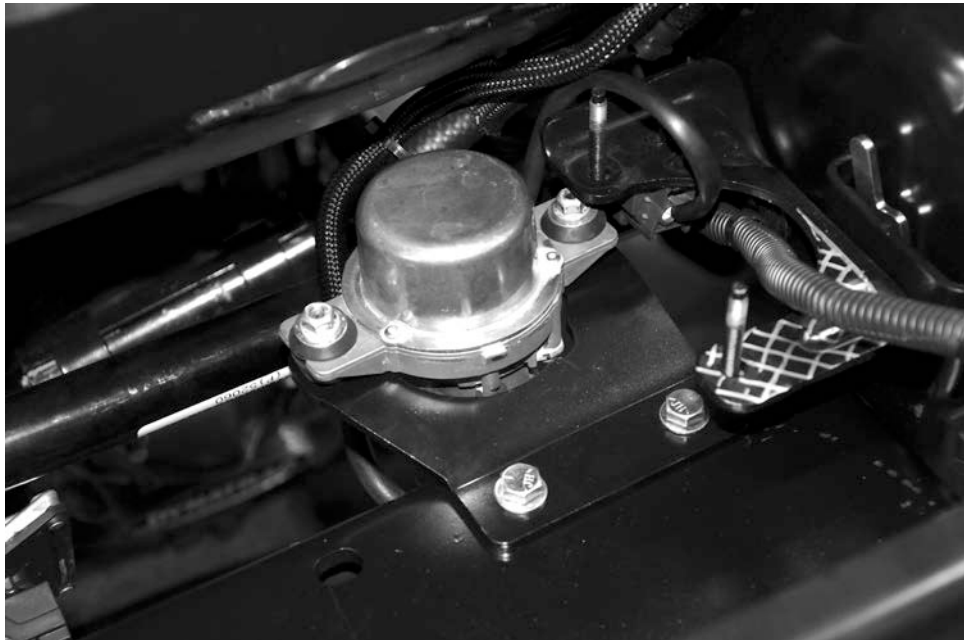
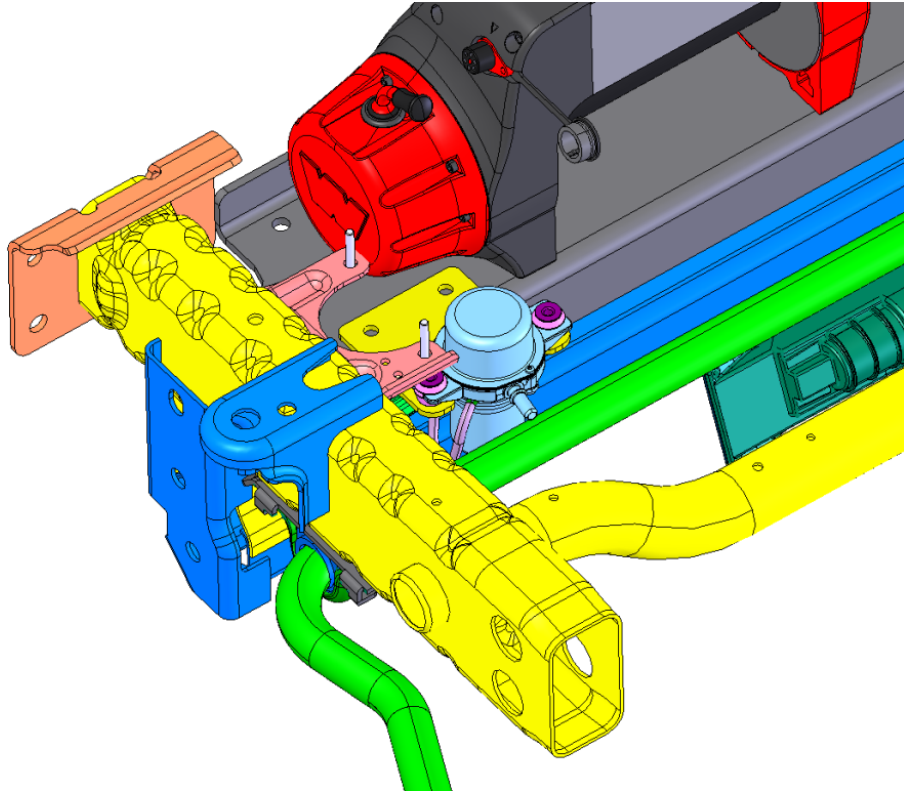


3. Drill out the lower mounting hole to 1/2" as shown to allow the bolt to pass through.

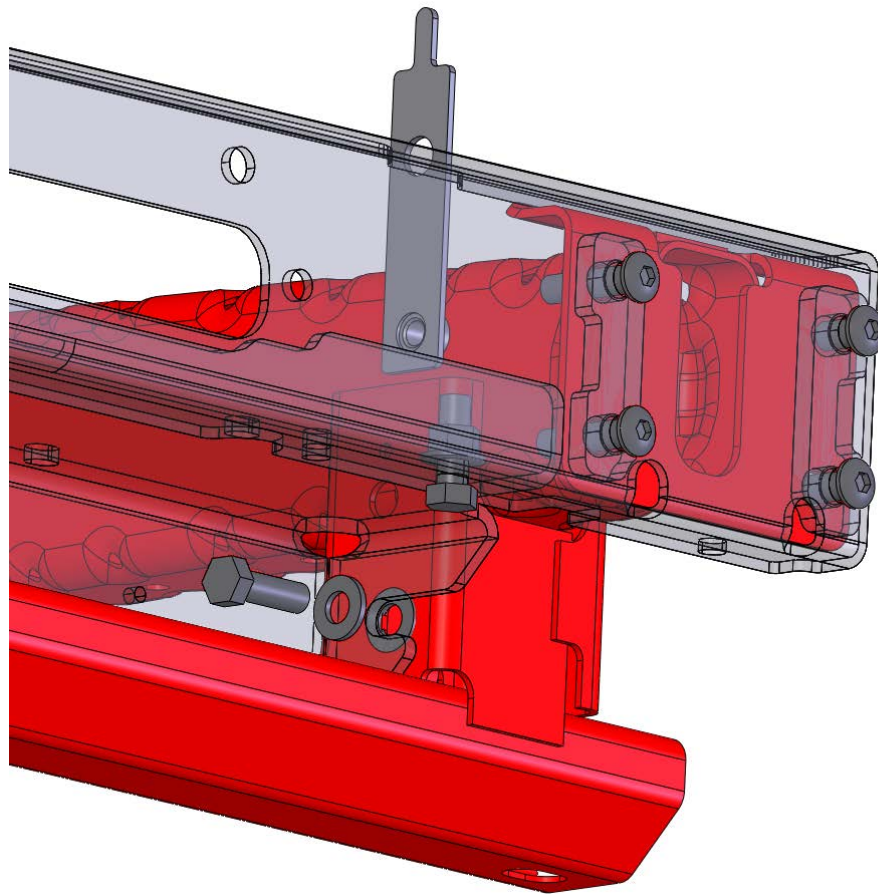


4. Depending on the winch being installed you may need to trim the factory vacuum pump bracket as necessary for clearance as shown below. The photograph on the next page shows a marked-up bracket showing the area that needs to be trimmed.





5. Assemble the winch plate and fairlead brackets together. Use the M12 hex head bolts and flange nuts going from the bottom up(washer not needed) as shown above
6. Place the winch mount assembly into position onto the frame.
7. With the winch mount aligned, bolt the winch mount to the lower frame attachment points using the M12 hex head bolts, washers, and nut plate
8. **FOR 2007-2011 ONLY, USE THE SUPPLIED LARGE THICK WASHER BETWEEN THE WINCH MOUNT AND FRAME AS SHOWN.**
9. Install the square nuts that come with the winch kit into the winch and feet. A little silicone is helpful to hold them in place.
10. Place the winch onto the winch mount. Do not install winch mounting bolts at this time. You will do this later after installing the bumper.



IMPORTANT NOTE:

When installing the Winch you **MUST** use the AEV supplied washers along **WITH** the hardware included with your winch kit (as shown.) This will ensure a safe and secure attachment.

