



7000 SERIES LIGHT MOUNT

FOR AEV JL WRANGLER & GLADIATOR FRONT BUMPER



PLEASE READ BEFORE YOU START

To guarantee a quality installation, we recommend reading these instructions thoroughly before beginning any work. These instructions assume a certain amount of mechanical ability and are not written nor intended for someone not familiar with auto repair.

INCLUDED PARTS

QTY

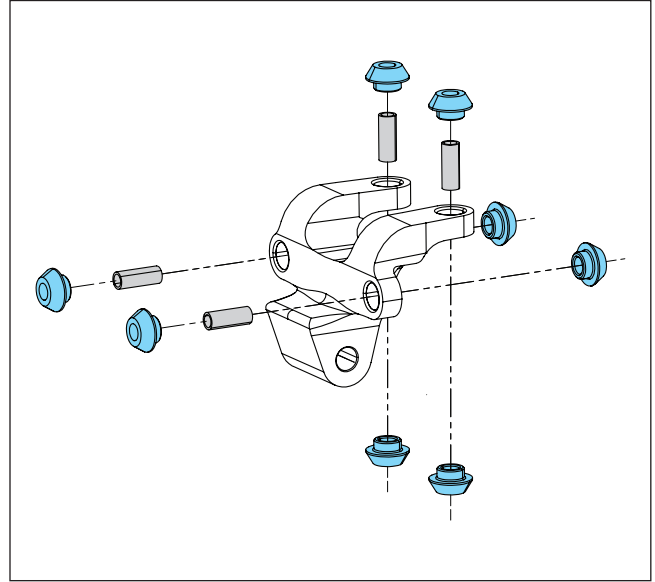
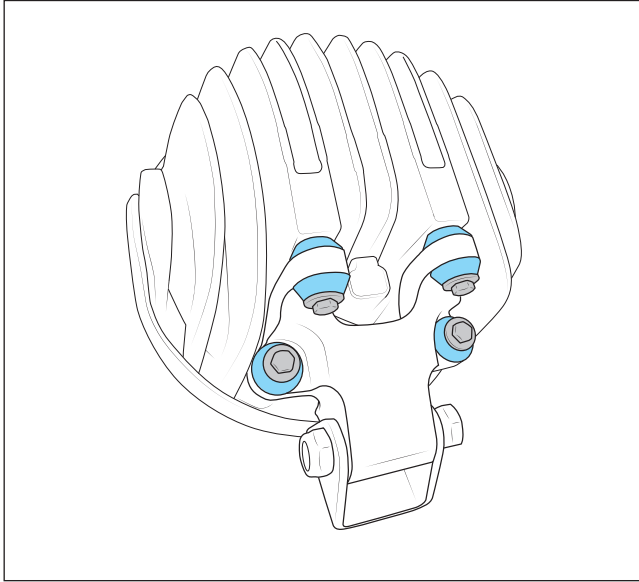
REQUIRED TOOLS

Common Hand Tools

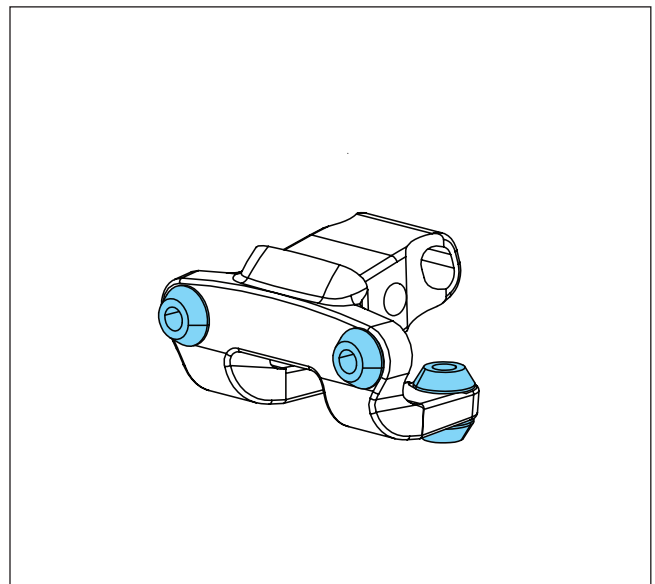
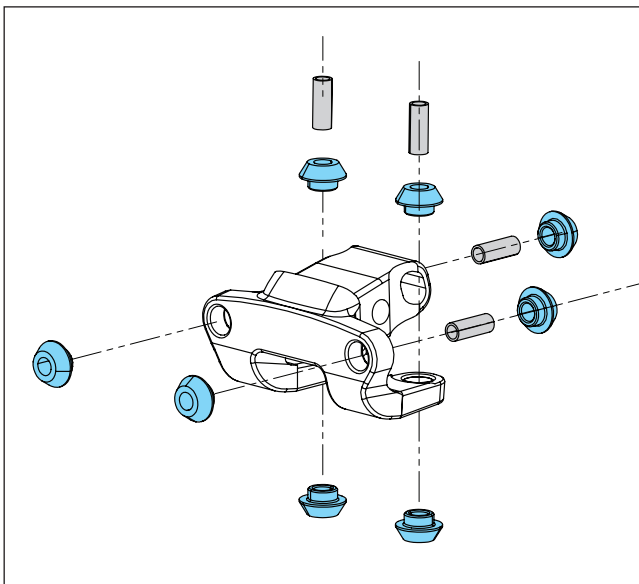


I. PREPARE LIGHTS

1. Remove Universal Mounting Brackets.
 - A. Remove the QTY 4 M6 Bolts from back of each light to remove brackets.
 - B. Remove bushings and bolts from the universal mounting bracket.

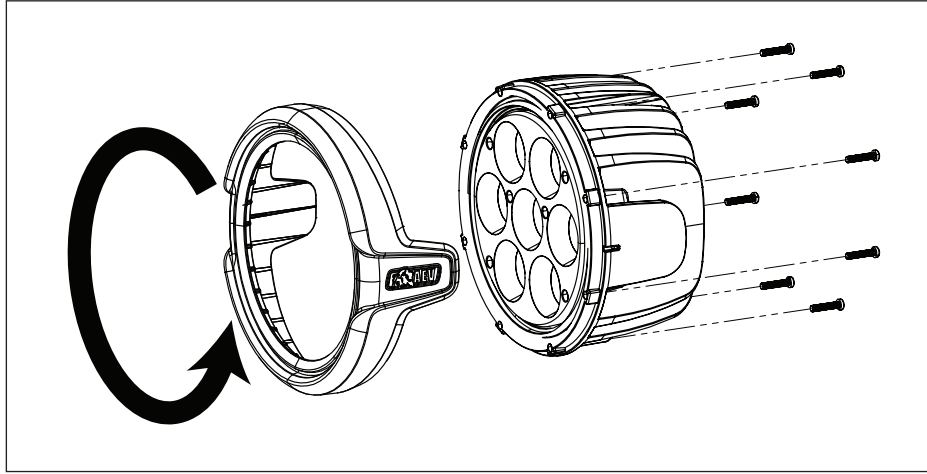


2. Install the bushings and bolts from the universal bracket into the AEV JL/Gladiator Bumper Mounting Bracket.





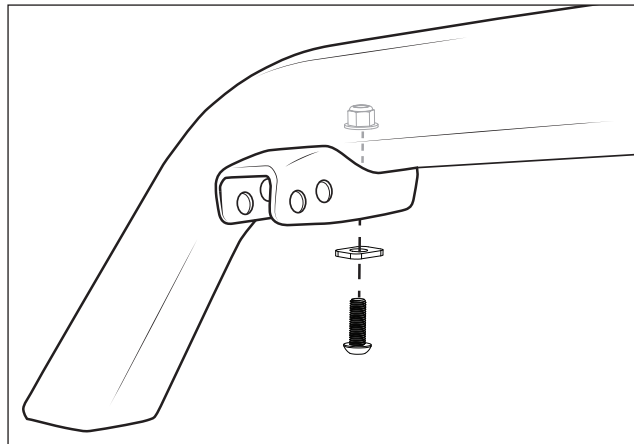
3. Remove the QTY 8 M4 Torx bolts from the back to remove the Bezel.
4. Pull existing Bezel from light. NOTE: To prevent damage to gasket DO NOT remove lens from housing.
5. Rotate Bezel 180° for properly facing AEV logo and re-install QTY 8 M4 Torx Bolts.



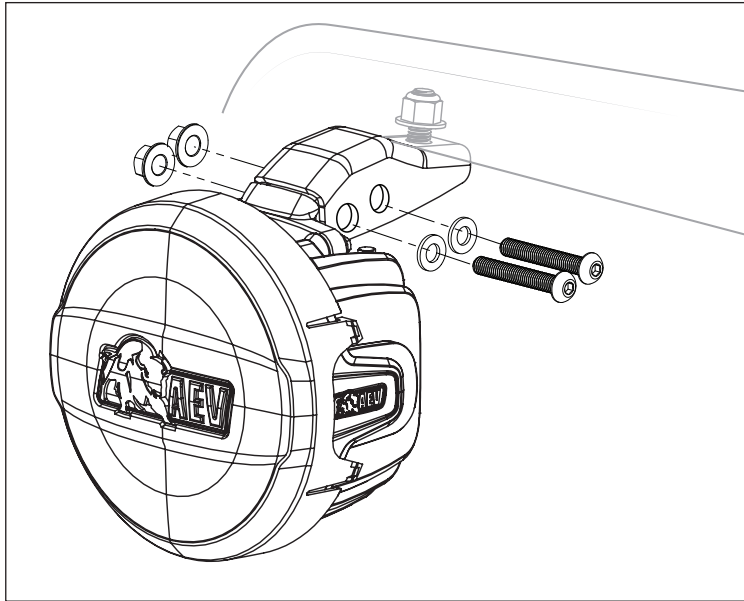
6. Install AEV JL/Gladiator Bumper Mounting Brackets to Lights with the M6 Bolts removed in Step 1.

II. LIGHT INSTALLATION

1. Install Stamped Bracket to Bumper Tube using the supplied M12 bolts. NOTE: Reinforcement plate goes on the inside of the bracket before installing the nut.



2. Hold Light to Stamped Bracket and Install QTY 2 M10 Thru Bolts



3. Aim Light as required
4. Tighten both M10 Bolts