

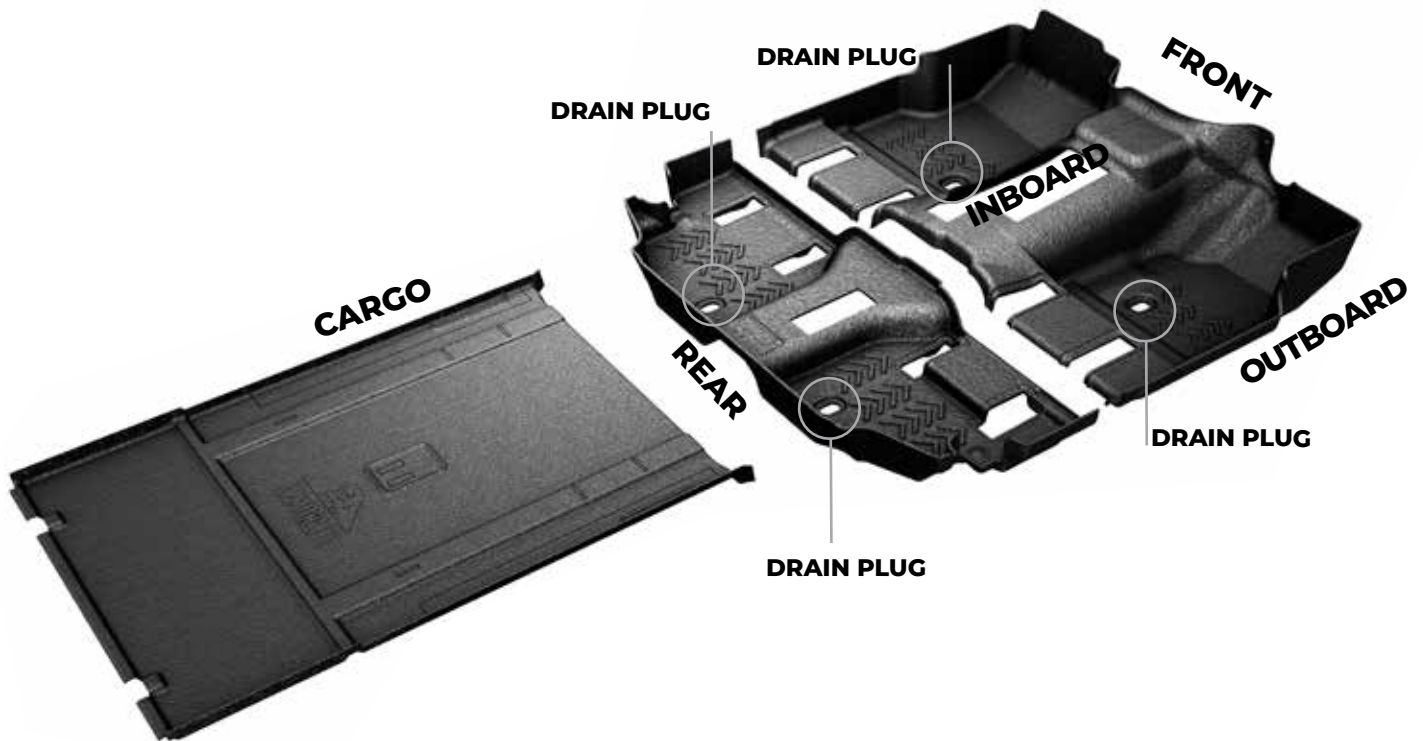


# ARMORLITE®

## INSTALLATION INSTRUCTIONS

Armorlite® Flooring

Vehicle Application  
**Jeep® Wrangler LJ 2-Door**  
**2004-2006**





## CAUTION

### READ BEFORE INSTALLING

- **DO NOT** install Armorlite flooring on top of any existing flooring product, including factory or aftermarket systems, floor mats, carpets or linings of any type.
- Armorlite flooring fit could be compromised if installed over a spray-in floor liner due to the additional thickness.
- **Do NOT** install any floor coverings or mats on top of Armorlite, as it will hinder your Armorlite floor's performance and create a potentially dangerous situation with loose mats.
- Install Armorlite flooring in the proper locations using existing retention points as illustrated in enclosed instructions or visit [www.GoArmorlite.com/installation](http://www.GoArmorlite.com/installation) for installation video.
- Vehicle pedals need to be inspected for full freedom of movement after installation and before each use. **DO NOT DRIVE VEHICLE IF ANY INTERFERENCE EXISTS AT ANY TIME.**
- If the flooring is removed for cleaning, follow the installation instructions when reinstalling to ensure proper fit.
- Armorlite flooring is engineered and designed to fit the vehicle make and model you purchased. **DO NOT INSTALL** in any other vehicle make or model.
- Check the fit of Armorlite flooring after it is serviced to ensure it remains securely installed.
- Warnings label and instructions should be kept with the owner's manual of your vehicle.

For Support please visit [www.GoArmorlite.com/support](http://www.GoArmorlite.com/support)

## BEFORE YOU BEGIN INSTALLATION



Wear gloves to protect your hands from any sharp edges in and around the seats.



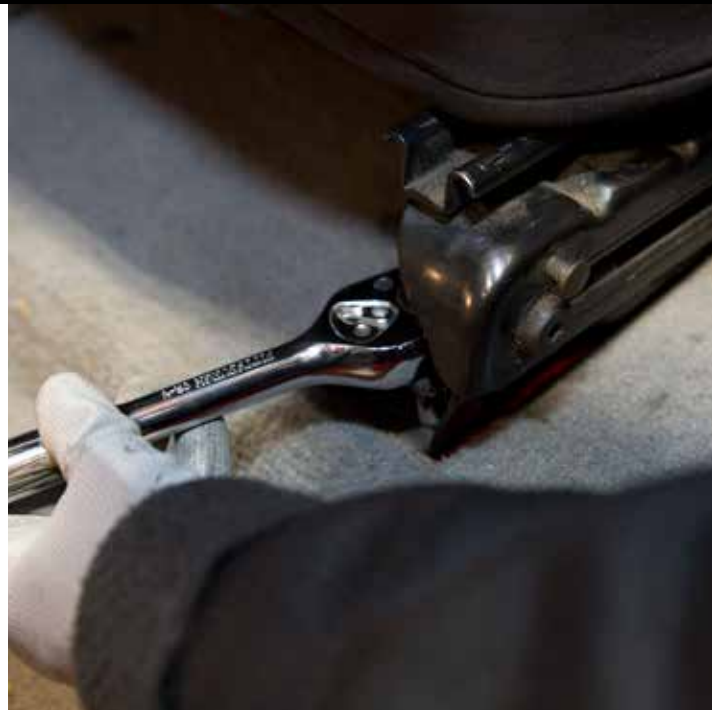
Ensure the car is in "Park," and the emergency brake is applied.

- Bring your Armorlite product inside the night before or for at least an hour to let it warm up. This will allow for the material to be more flexible for an easier install.
- A second person will help to expedite the installation process.
- Remove factory installed flooring, drain plugs and retainer clips that coincide with Armorlite purchased product.
- Drain plugs can be found underneath the factory installed flooring - front (2), rear (2). Instructions for drain plug removal can be found in the installation setps.
- For full instructions on how to remove factory installed flooring there are third-party online resources available.
- Save clips or other cover and trim parts if you intend to keep and reinstall the factory installed flooring.

# SEAT REMOVAL

1

Remove front seats bolts. There are a total 8 bolts ( 2 - T50 torx bolt and 6 - M13 bolts (3 per seat).



2

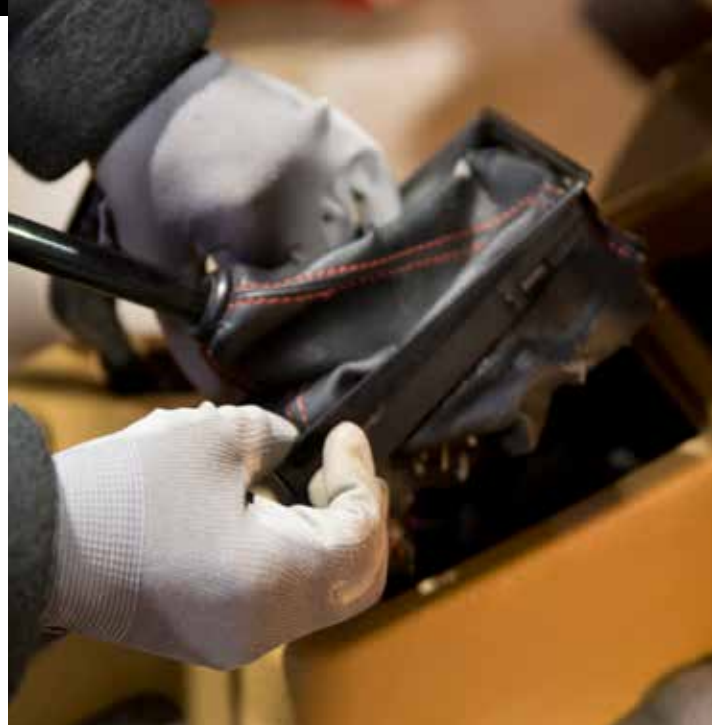
Remove the front seats. NOTE: Prior to removing the driver seat, disconnect wire harness under the seat.



# CENTER CONSOLE REMOVAL

**3a**

MANUAL TRANSMISSION - Unscrew manual shift knob. Pop out manual shift boot.



**3b**

AUTOMATIC TRANSMISSION – Pull off the shift handle. Pop out the auto shifter plate by prying from the rear edge. Remove the light bulb located in the auto shifter panel.





4

Remove the center console panel by removing the 6 M10 bolts.



1 - M10 bolt under shift panel



1 - M10 bolt in front of cupholder



2 - M10 bolts inside storage bin



2 - M10 bolts on outer passenger side wall of storage bin

5

Pull out the entire center console cover.



6

Remove Front Driver Side Wire Harness Cover – There are a total of 3 - Phillips head plastic clips, 1 - Lock washer and 3 - wire harness clips.



7

Remove Rear Seat – Unlatch the driver side rear bracket. Lever is found on the driver side of the rear seat. Pull it up to unlatch. Fold seat up, shift to side and lift out



8

Remove factory Front, Mid, and Cargo carpets. Begin by undoing the two metal snaps found on each side and pull out.





**9a**

Remove the four factory metal drain plug covers that correspond with the flooring cutouts. The inboard drain plugs found on each side of the Jeep are the ones that need to be removed - see images below.



**9b**

Use heat gun to remove factory gasket material from over the top of the metal floor plug, then pry the metal plug out with a flat head screw driver.



Drain plugs have two tabs located on each side. Tabs will need to be considered when removing the plugs.

To protect the exposed area painting can be used.





# FLOORING INSTRUCTIONS - ASSEMBLY

## INSTALL REAR FLOOR BEFORE FRONT SECTION

10

Prior to installing the rear floor section, identify if you have a long console then determine if that console style is type "a" or type "b". Make the necessary cutouts for the long center console. Carefully make cuts with a sharp utility knife.



### TYPE "A" - 1-PC LONG CONSOLE

Cutout "a" is for the 1-pc long console with attachment screws inside the storage bin.



### TYPE "B" - 1-PC LONG CONSOLE

Cutout "b" is for the 2-pc long console with attachment screws inside the rear cupholders.



### CUTOUT "C"

If you want to keep the bottle jack in factory location cutout "C" on the passenger side needs to be cut off.



11

Start the installation around the E-brake handle. Pay close attention to the wire harness routing and make sure the flooring is not sitting on top the metal bracket all around.



12

Push the flooring around the roll bar/seatbelt retractor and tuck the outboard edge behind the metal door sill flange.





## INSTALL FRONT FLOORING

13

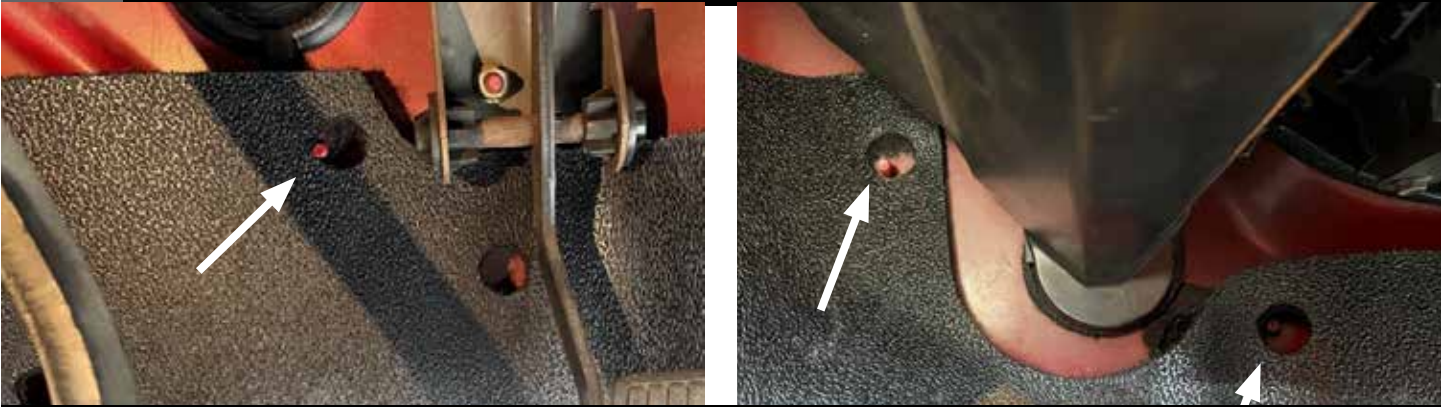
Push the flooring all the way to the front while carefully guiding the wing into the tight gap under the HVAC duct.





14

Align holes on the floor with the firewall studs (# and location vary by model year) and tuck the outboard edges under the metal door sill flange. Move the flooring until the drain plug hole on flooring is aligned with the hole on the body. be sure that floor is pushed behind the gas pedal bracket and resting against the firewall.



NOTE: the holes are larger to incorporate variations in location over many years and not to be concerned if studs are not perfectly centered.



15

Cover up the wire harness cover stud with the included plastic cap – Driver side only

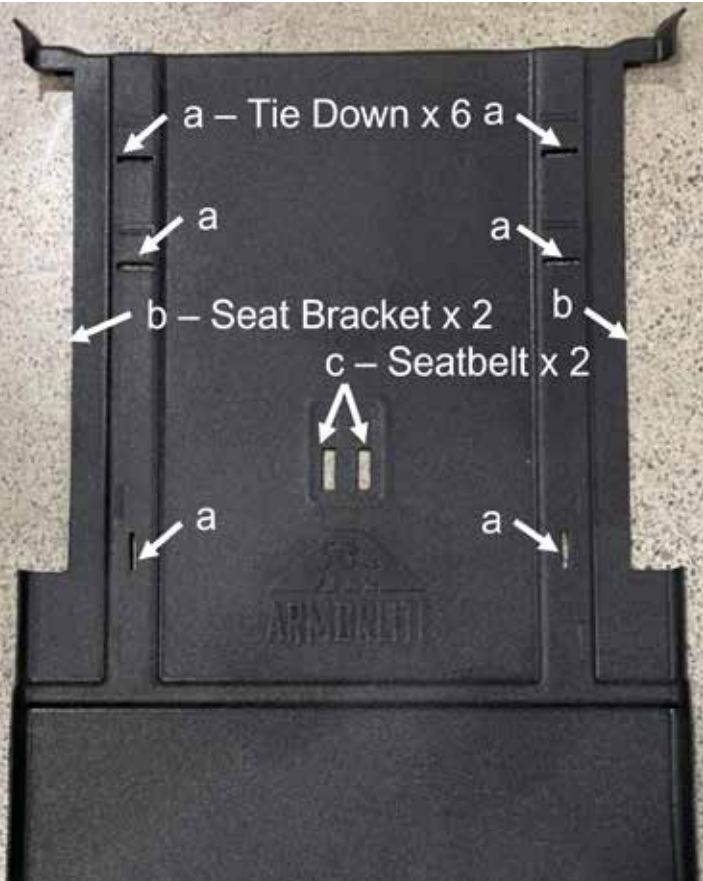


# INSTALL CARGO

**Note:** Armorlite Cargo ships without internal cutouts. Make the appropriate cutouts shown on following pages based on your preference.

**16**

Depending on the model and usage, make the additional cutouts as shown in following images.



**17** Feed seatbelts thru the various cutouts.





18

If your console is equipped with a tab on the driver front side, remove it prior to installing console. This can be performed with multiple passes of a sharp razor knife, or a hack saw.



19

Install Floor Console





**20**

Tighten screws in the below order.



1. Cupholder - 1 bolt



2. Inside bin - 2 bolts



3. Passenger side - 2 bolts



4. Near shifter - 1 bolt

**21**

Install Manual shift boot and knob / Install Auto shift panel, light, and handle – reverse of removal

**22**

Install Front and Rear Seats - Reverse of removal

**23**

Install Armorlite Drain Plugs



**Important: Ensure drain plug hole is aligned prior to installing plugs.**

With plug lid open use both hands and your upper body weight to push plugs through Armorlite floor into the sheet metal floor underneath. Ensure that the ribs snap through the metal floor. If the plug comes out with little resistance, or does not push into place, check alignment of hole and try again.

For additional help, please refer to our website installation page for additional tips on installing drain plugs.

**Remember drain plugs should be very secure if installed correctly.**

# LIMITED LIFETIME WARRANTY

Armorlite flooring products are backed by a limited lifetime warranty for materials and workmanship, which means that our products are guaranteed not to break, tear, or deform under normal use. This limited warranty only applies when the product is correctly installed and used in the type of vehicle listed in the product description.

## LENGTH OF WARRANTY

The warranty will remain in effect while the original purchaser of the Armorlite product owns the vehicle in which the product is installed. The warranty is not transferrable, which means that the warranty will terminate if you sell or otherwise give the product to someone else.

## WHAT THIS WARRANTY DOES NOT COVER

Certain common sense damages to the product are NOT covered by this limited lifetime warranty:

- Intentional damage
- Damage resulting from an accident
- Unreasonable use or neglect
- Improper service, installation, or removal
- Damage resulting from product modifications
- Damage to product prior to installation
- Damage, fading or discoloration from excessive wear and tear and/or excessive exposure

## HOW TO MAKE A WARRANTY CLAIM

If you have a valid warranty claim, you must follow the warranty return instructions in the "Warranty Process" section below.

## HOW STATE LAW APPLIES

Armorlite's express warranties are limited to those expressly stated in this agreement. Armorlite makes no other express representations or warranties, express or implied, regarding the products, including regarding merchantability, suitability, originality, or fitness for a particular purpose, and any such warranties are expressly disclaimed. Any implied warranties, including without limitation the implied warranties of merchantability and fitness for a particular purpose, shall be limited to the duration of this limited warranty.

In no event will Armorlite be liable, whether in contract or tort (including negligence) for damages in excess of the purchase price of the product, or for any indirect, incidental, special or consequential damages of any kind, or otherwise to the fullest extent these damages may be disclaimed by law.

Some jurisdictions do not allow the limitation or exclusion of incidental or consequential damages, or a limitation on the length of an implied warranty, so the above limitations or exclusions may not apply to you. This warranty gives you specific legal rights, and you may also have other rights that vary from one jurisdiction to another.

## WARRANTY PROCESS

Visit our support page and fill out the form to submit a warranty claim. You will be required to upload images to demonstrate proof of a manufacturing defect. Upon receiving your claim an investigation will occur and may take up to 4-8 business days to be completed.

If the warranty claim is approved, you will be provided with a replacement product. If your product model has been discontinued, you will be provided with another product of similar composition and price. Armorlite will ship your replacement product at no cost.

## SHIPPING

You may be required to return product(s) for a more thorough investigation.

A Return Merchandise Authorization Number (RMA#) will be provided at this time. Armorlite will cover return shipping costs and provide you with a pre-paid shipping label. Please write the RMA# on the outside of the box. The product must be cleaned and returned to its original box or equivalent packaging. Packaging must be in good condition. Armorlite is not responsible for lost or damaged packages.

All products must be shipped to:

Armorlite, Inc. - Warranty  
1506 East Main Street  
P. O. Box: 669  
Old Fort, NC 28762





**GOARMORLITE.COM**