



STEP 1 – PRIOR TO INSTALLATION

- A)** Bushwacker only approves installing the soft top according to these written instructions with the hardware provided. **WARNING:** Failure to install according to these instructions will invalidate the warranty. This includes, but is not limited to using alternative installation methods, hardware, or materials. For correct Installation of the top in warm weather is optimal for ease of installation. Temperature should not be less than 70° (21C). Initial installation is the most difficult as the fabric has not been stretched. The top will loosen slightly with use and warm temperature.
- B) Care & Cleaning:** Bushwacker soft tops are built to last; Washing: The soft top fabric should be washed often using a mild soap, warm water and a soft bristle brush (do not use the brush on the window glass!). You can also use special soft top cleaners. Make sure that after cleaning you rinse with clear water to remove all traces of soap.
- C) Windows:** It is very important that you keep your windows clean! Use a mild soap and water solution to gently clean your windows. **NEVER** wipe your windows clean with a dry cloth! Dust and dirt on a dry cloth can scratch your windows causing “fogging” and permanent damage. When removing your windows, store them in the window storage bag provided. Do not use any chemical cleaners of any kind on glass.
- D) Pre-Installation requirements**
Remove existing hard or soft top and all original hardware on your Jeep Wrangler.

Jeep® Wrangler 2007-2018 Trail Armor™ Fastback Top 2 Door (JK) 14935

Set Part #BWT-14935

Rév.-2 04/16/2018

For complete fitment info visit : www.bushwacker.com

TOOLS FOR EASY INSTALLATION:

- Phillips Screwdriver
- Ratchet and Extensions
- Torx Bits
- Allen Wrench
- Small bolt driver
- Safety Glasses

Trail Armor Soft Top™

LIMITED LIFETIME WARRANTY AGAINST ANY MANUFACTURING DEFECTS

- To claim a warranty, you must provide Proof of Purchase.

Included in Hardware Kit:

- | | | | | |
|--|------------------------------------|----------------------------------|--------------------------|-------------------------|
| 1. | 2. | 3. | 4. | 5. |
| | | | | |
| Main Deck Fabric w/window storage bag 1 pcs | LH Rear Quarter Windows 1 pcs | RH Rear Quarter Windows 1 pcs | Back Window 1 pcs | Hinge Plate LH 1 pcs |
| 6. | 7. | 8. | 9. | 10. |
| | | | | |
| Hinge Plate RH 1 pcs | Retainer Tailgate Plastic 2 pcs | Tailgate bar 1 pcs | Self Tap Screw 22 pcs | Shoulder Bolt 4 pcs |

Contents cont.

11.



Flip top hardware
1 pcs

12.



LH Upright Horizontal
1 pcs

13.



RH Upright Horizontal
1 pcs

14.



LH Vert Upright
1 pcs

15.



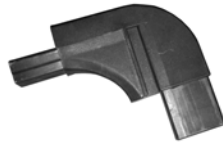
RH Vert Upright
1 pcs

16.



LH Upper Corner Plastic
1 pcs

17.



RH Upper Corner Plastic
1 pcs

18.



LH Corner Side Window
1 pcs

19.



RH Corner Side Window
1 pcs

20.



Door Surround Bracket
Rear 2 pcs

21.



Upright Turn Knob
2 pcs

22.



Top Retention Strap
1 pcs

23.



Nut 4 pcs

24.



Door Surround Knob
Long,Med,Short 6 pcs

25.



Front Latch 2 pcs

26.



Door Surround Bracket
Front 2 pcs

27.



Strap Hardware
1 pcs



NEVER OPEN UP OR CLOSE YOUR SOFT TOP ROOF WHILE DRIVING OR WHILE THE VEHICLE IS MOVING. SERIOUS DAMAGE TO YOUR VEHICLE AND SOFT TOP CAN OCCUR! ALWAYS PULL OFF THE ROAD IN A SAFE AREA, COME TO A COMPLETE STOP AND PUT THE VEHICLE IN PARK BEFORE ATTEMPTING TO FOLD BACK OR RE-SECURE YOUR SOFT TOP.

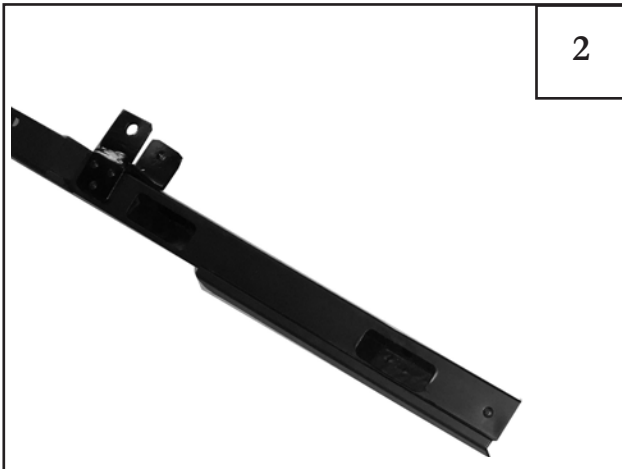
Installation Procedures:



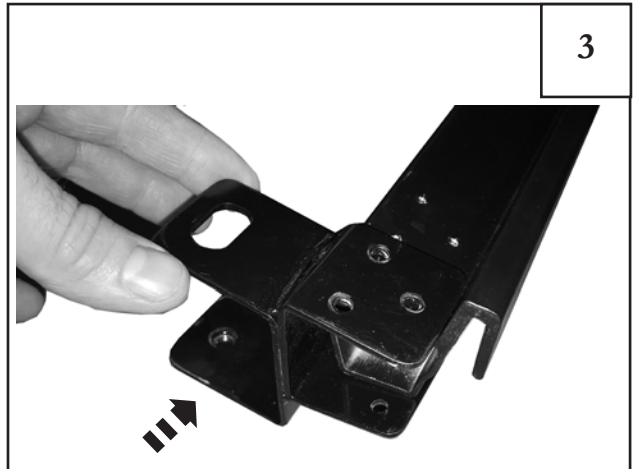
Unfold your new Soft Top and separate the packaged pieces.

TIP: Door Surround frame pieces are marked with L for left side (Driver Side) on plastic packaging. Passenger's side pieces marked with R for right side. Set aside the windows for a later step and take care not to scratch them.

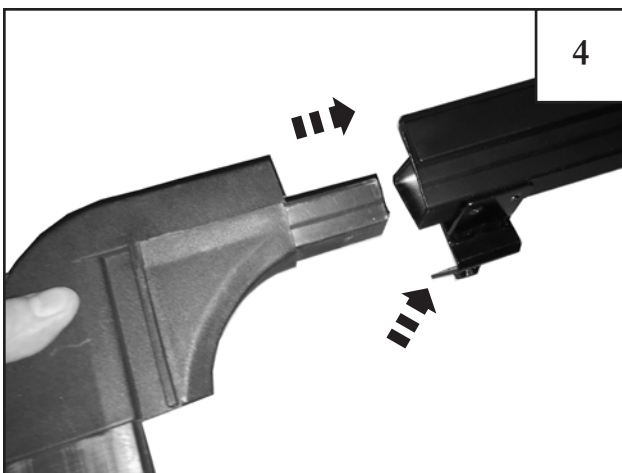
TIP: The factory door surrounds cannot be used. Use the door surround supplied in the kit that has been designed specifically for the Trail Armor Soft Top™.



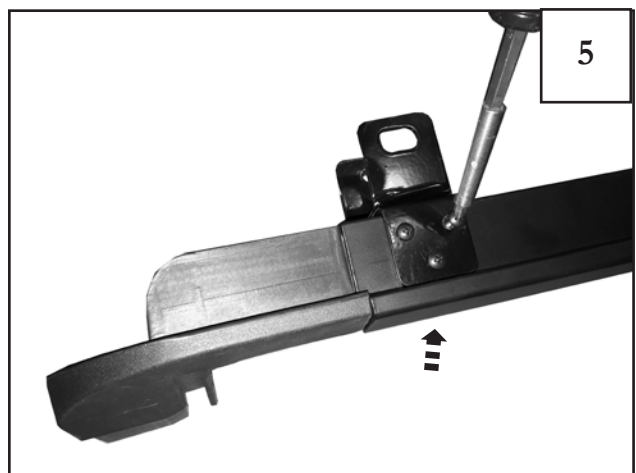
Assemble door surround by inserting the front extrusion bar into the corner upper horizontal part pre-assembly as shown.



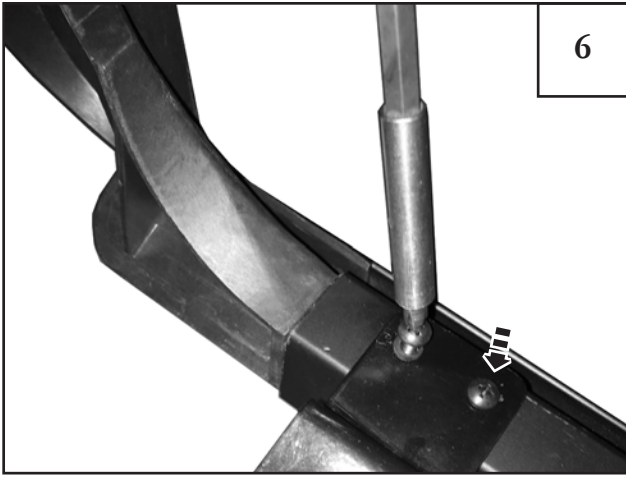
Install rear bracket to rear end of rear extrusion bar by sliding over to line up holes as shown. Do not screw at this time.



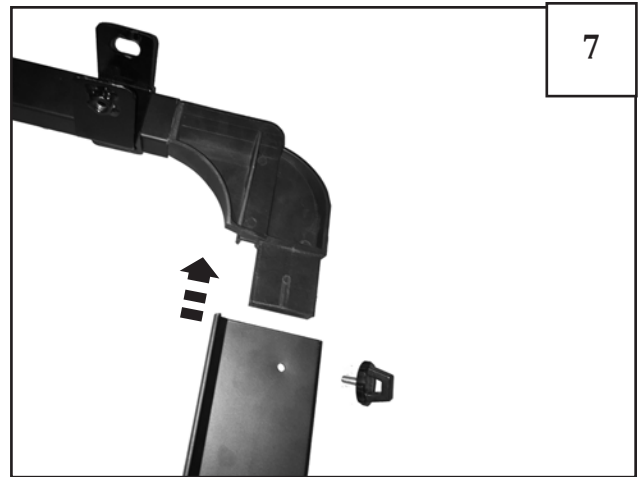
With bracket in place insert the plastic corner into the rear extrusion.



Using a 3 screws tighten into plastic corner part and rear bracket as shown.



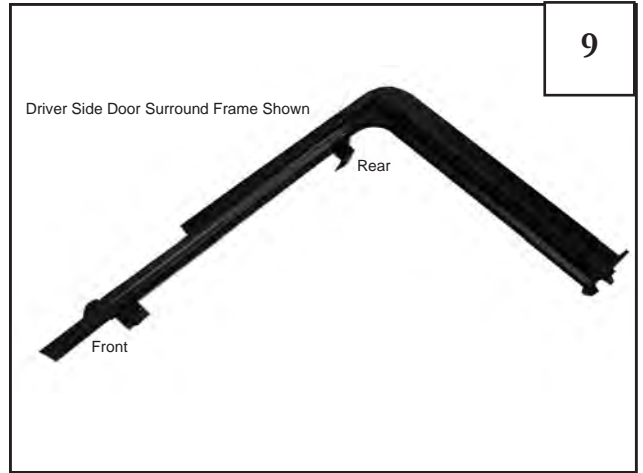
Rotate door surround over to access the bottom side. With 2 screws tighten them into plastic corner part as shown.



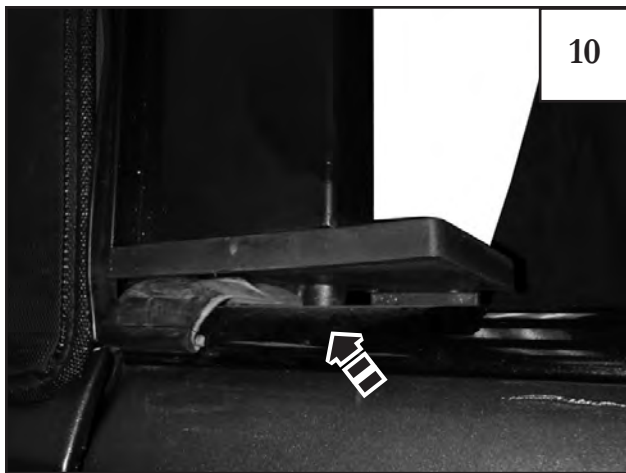
Insert the other end of the plastic corner part into the vertical extrusion part and secure with the turn knob screw.



Install and secure with the turn knob screw as shown.



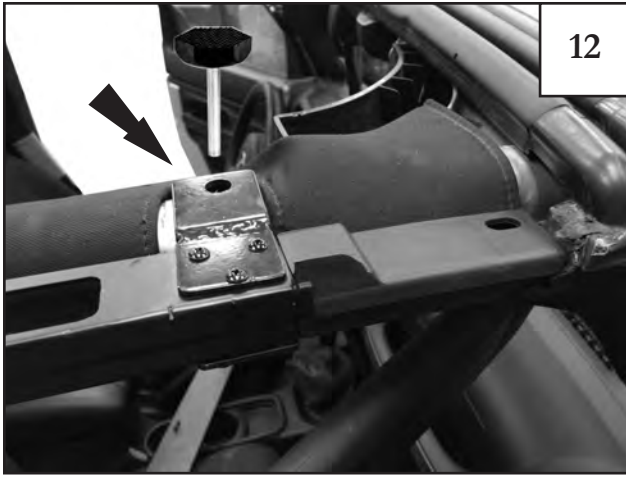
The door surround assembly is now complete. Repeat these steps (steps 2-9 to assemble the other door surround frame).



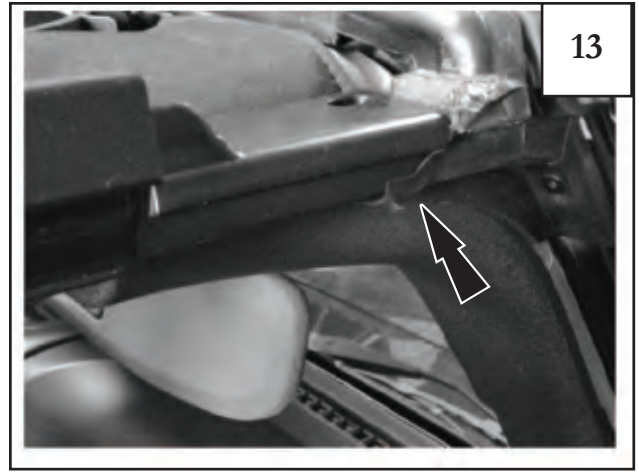
Position completed door surround onto the vehicle and fit the bottom base pin into the hole in vehicle tub near the rear door latch.



Position door surround rear bracket onto the vehicle and fit the bracket over the sport bar.



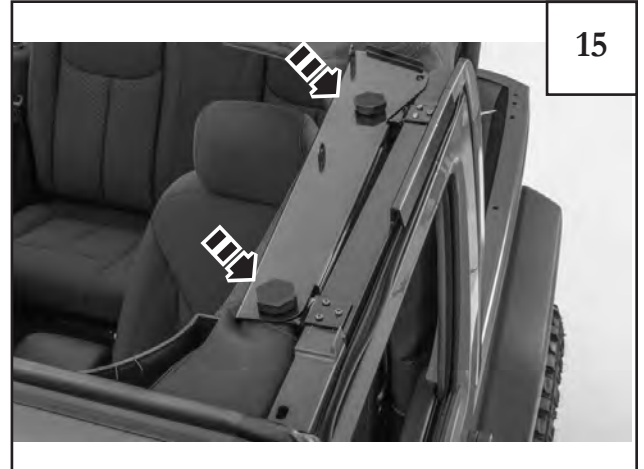
Position door surround front bracket onto the vehicle and fit the bracket over the roll bar.



TIP: Make sure the rubber gasket at the top of the windshield is correctly sealed against the front door surround section. See photo for proper fit and check that the factory foam seal is in place.



Place driver side mount plate on top completed door surround onto the vehicle and fit the bracket over the roll bar. Line up front hole to the front bracket door surround. Repeat this step for both sides.



Starting at the front bracket hole insert door surround knob into hole and tighten. Repeat step 14-15 for other side.



Fit top retention strap to door surround mount plate hole located at rear. Locate the unused hole on the back of door surround plate as shown. Note: There is only one strap and it is installed on the driver side.



Put the retention strap in place with the bolt through the grommet as shown. Next, install the 2nd washer and Nylock nut on top of the strap and tighten with 13mm socket wrench and 13mm wrench.



18

When the top is in the folded back position reach up and hook the retention strap over the bar as shown. **Note: The strap is used to safely secure the soft top in the open position at high speeds.**



19

Make sure to unhook the retention strap from the bar before folding the top forward again.



20

Use a Torx T25 bit to remove both the footman loop from the windshield on both the driver's and passenger's side as shown.



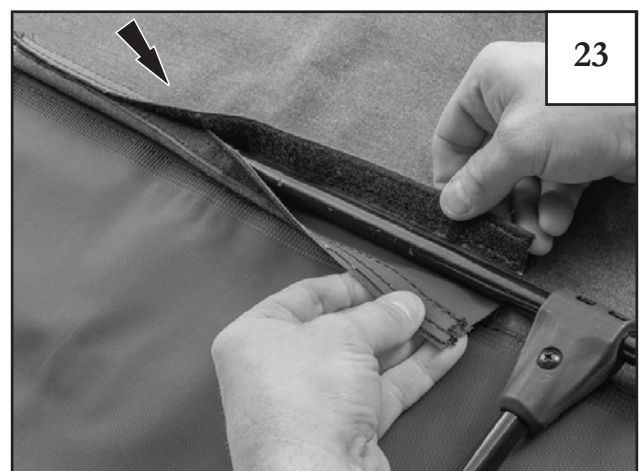
21

Install provided latch as shown and reattach with the Torx T25 bolt from the previous step.



22

Place the soft top hardware tubes assembly on top of the main deck fabric then insert into the front pocket. Secure with snaps as shown. **Tip: Place front metal into corner pockets and pull all the way until it fits snug.**



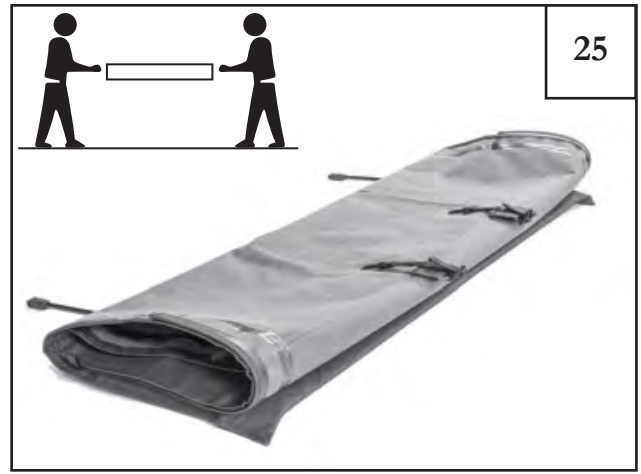
23

Secure the Flip Top tube to the Soft Top main deck by engaging the Hook and Loop flaps as shown on both sides.



24

Tuck the plastic strip into square metal part as shown for proper fit as shown both sides.



25

TIP: Place the top face down and re-fold, beginning with the rear window portion. It may be helpful to have a second person for this step.



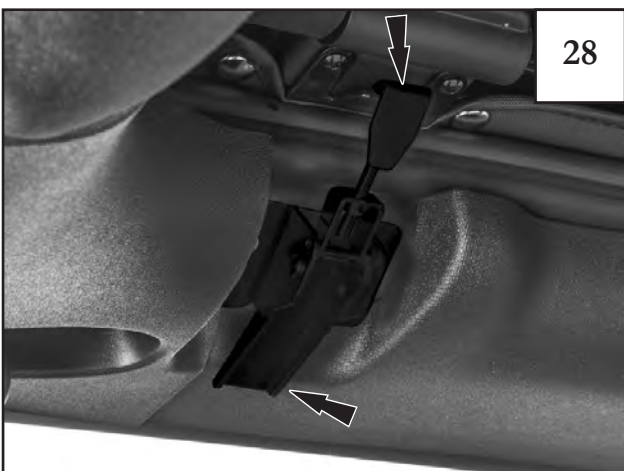
26

Lift the folded soft top and hardware assembly onto the top of the Wrangler sport bar. Place and center toward the front windshield gasket and line up 4 pivot point clamps as shown.



27

Using the supplied 4mm Allen key, install the Shoulder Bolts from the outside of each soft top header assembly knuckle and tighten each bolt with a lock nut 4 places. The lock nut will fit into plastic.



28

Pull the flip top header assembly tightly against the windshield seal and hook to catch. For proper tight adjustment of the latches, unscrew each front screw hook latch where the latching hook just reaches the header assembly.



29

Closed and secure the front latches as shown on both sides at this time.



30

Un-Fold the soft top over the sport bar frame working toward the rear of vehicle.



31

Wrap the two straps attached to the middle section of fabric around the rear-middle of the sound bar.



32

Insert plastic hooks into the holes on the underside of the sound bar. Tighten the strap until snug then hook and loop. **TIP: If soft top appear loose on top these can be pulled tighter for tight soft top.**



33

Locate the long strap at the rear corner of the main deck. Pull it straight and to the outside of the sport bar.



34

Pull the hook straight and to under inside of the metal tub belt rail.



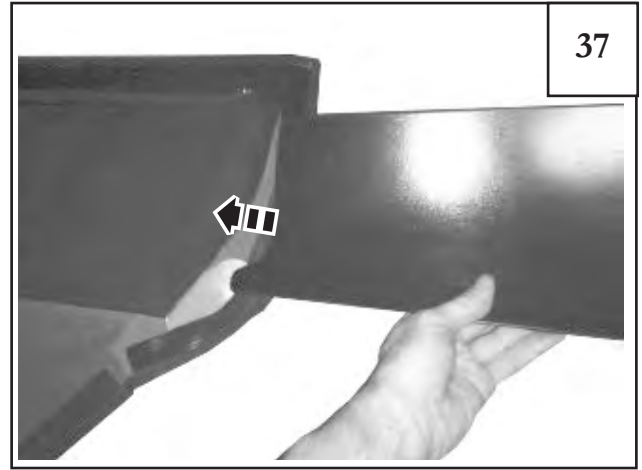
35

Pull strap tight and repeat on the otherside as shown.



36

Check to see the top is centered, the support bar should show over the zippers on the roll bar pads equally left and right as shown above.



37

Window preparation: Insert the black plastic corner insert into the fabric sleeve-pocket located inside your rear qtr window. Repeat to both sides.



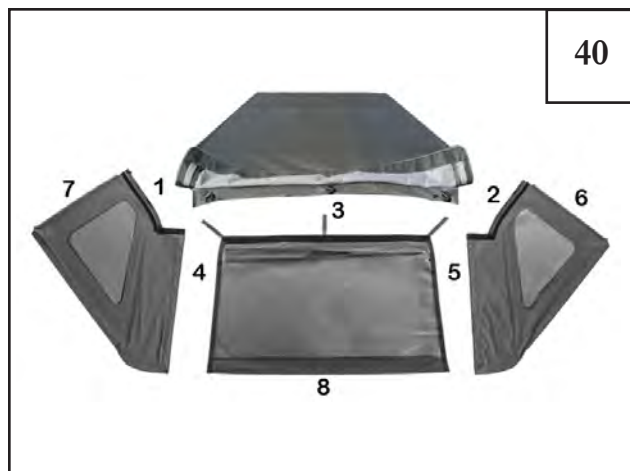
38

Insert all the way to the top as shown here.



39

Lift plastic guards up so that corner piece will be under.



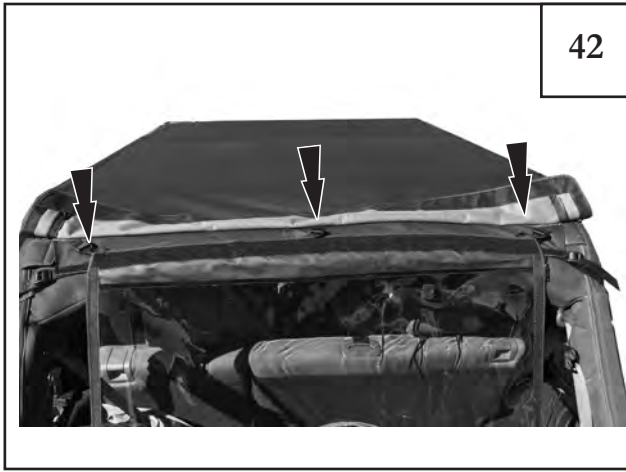
40

Window Installation Order: **1,2** Attach zippers to main deck. **3** Attach Rear window straps. **4,5** Zip rear qtr windows to the rear window. **6,7** Plastic strip into door surround. **8** Tailgate bar bottom rear window.



41

1,2 Secure the side windows to the main deck fabric by zipping into place. **TIP: Only zip them approximately 6" short of the end.** Repeat for the other side and leave parts loose at this time.



42

3 Secure the rear window to the main cover fabric with 3 straps into place as shown.



43

3 Secure the rear window to the main cover fabric with straps into place as shown. Leave Parts loose at this time.



44

3 Secure the rear window to the main cover fabric with straps into place as shown. Leave Parts loose at this time.



45

4,5 Zip qtr windows to rear window and repeat for the passenger side windows evenly as shown above. **TIP: Once the rear zippers are started then go back to side qtr window top and close zipper all the way to end [Step 42]. Tuck 6,7 into belt rail.**



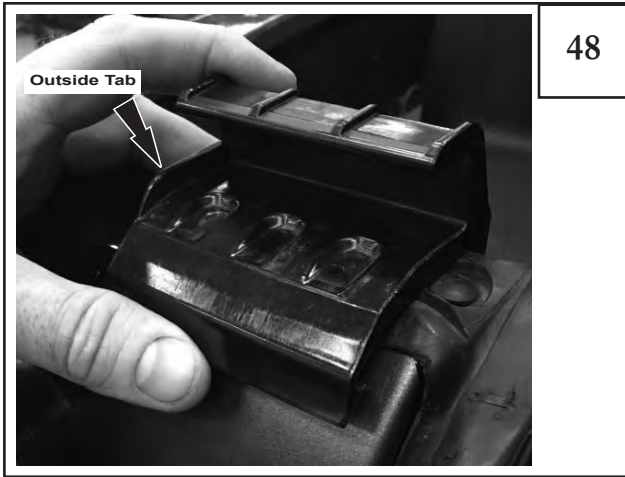
46

6,7 Tuck the verticl plastic on the qtr windows into door surround by placing it into the vertical door surround lip as shown. **TIP: Start at the top corner to tuck plastic edge into the track in the door surround.**



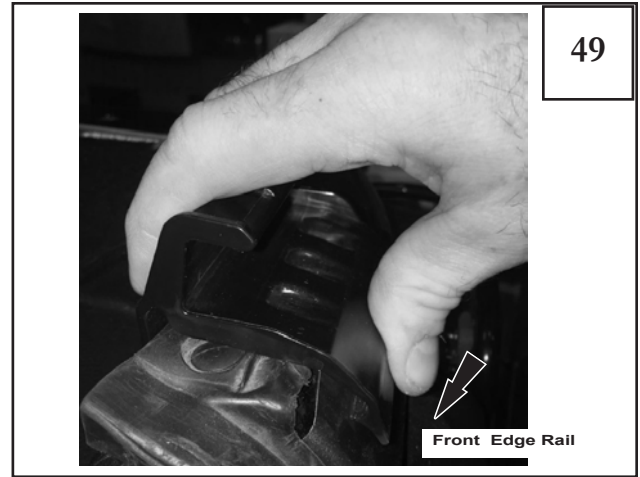
47

8 Slide the tailgate bar onto the bottom of the rear window, using the built-in C-channel to guide it over the the flap and small tube.



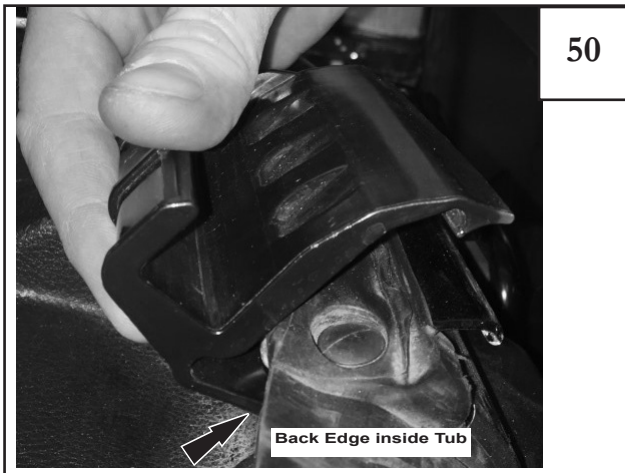
48

Installed position. Tab goes to outside of vehicle. Driver side is shown.



49

Close the clamp with downward pressure front edge over the belt rail sheet metal. The clamp will snap and lock onto the underside of the tube edge.



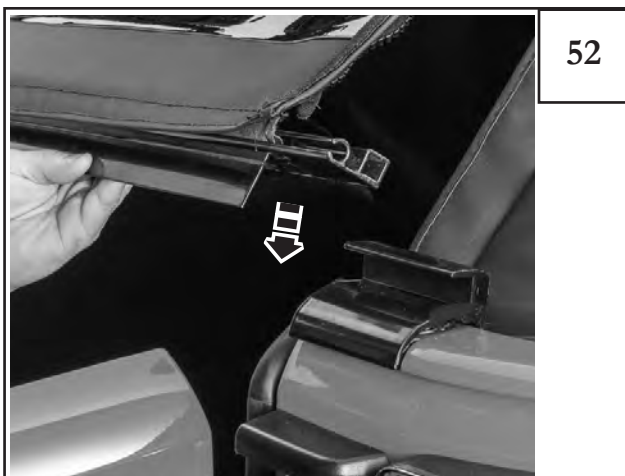
50

Install the retainer tailgate bar holder by hooking the back edge of retainer to the inside tub. Close the clamp with downward pressure front edge over the belt rail sheet metal.



51

Tighten all straps and close the hook and loop flaps down and sealed on rear window as shown.



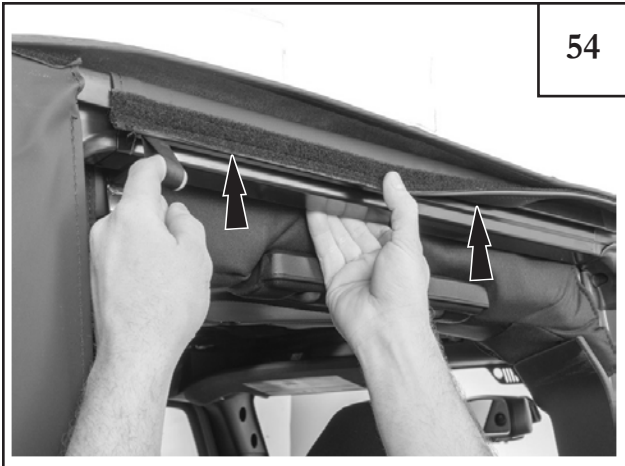
52

Grab the rear window tailgate bar with 2 hands and place into retainer clips as shown. Tip: Be sure bar is centered equally side to side. And then with rotating downward it will lock into place.



53

Close rear window zippers. Zip rear window closed in small amounts, approximately 2-4" at a time, going side to side until complete.



54

Install main deck plastic tuck strip into door surrounds. After plastic is tucked in then the flap portion hook & loop needs to be closed to the door surrounds.



55

Slide lower rear qtr window channel into body tub rail as shown.



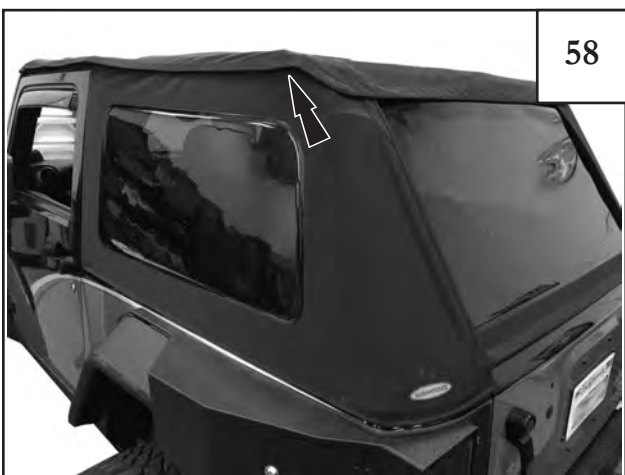
56

Work your way around the corners of the rear window. Starting from the side.



57

Clip in the last portion of window corner under the rear window retainers as shown.



58

The installation of the soft top is now complete. Be sure all hook and loop flaps are closed.



59

The following Steps show the use after installation. With your vehicle completely stopped engaged in park and in safe area, unlatch the two front latches. Undo the hook & loop side strips attached to the upper door surrounds.



60

Grab the Flip Top Center Grab Handle and push up. The frame will pivot towards the back of the vehicle and rest on itself.



61

Once the soft top is open remember to attach retention strap for speed over 55mph [Refer to Step 19].



62

While open, the soft top fabric will rest on the top deck above the sound bar, allowing you to enjoy the open air top experience! Attach retention strap to frame [See Step 18].



63

After removal of all windows, they can be stored in the provided soft top window storage bag between the two layers in the rear portion of the main deck.



64

To close, stop the vehicle, pull off the road in a safe area and put the vehicle in park. Remove retention strap and lift the center grab handle and push up. The frame will pivot towards the front of the Jeep. Latch both windshield latches and re-attach the hook & loop fasteners on the door surrounds.



65

Enjoy your **Bushwacker Trail Armor Soft Top™!**



STEP 1 – PRIOR TO INSTALLATION

- A)** Bushwacker only approves installing the soft top according to these written instructions with the hardware provided. **WARNING:** Failure to install according to these instructions will invalidate the warranty. This includes, but is not limited to using alternative installation methods, hardware, or materials. For correct installation of the top in warm weather is optimal for ease of installation. Temperature should not be less than 70° (21C). Initial installation is the most difficult as the fabric has not been stretched. The top will loosen slightly with use and warm temperature.
- B) Care & Cleaning:** Bushwacker soft tops are built to last; Washing: The soft top fabric should be washed often using a mild soap, warm water and a soft bristle brush (do not use the brush on the window glass!). You can also use special soft top cleaners. Make sure that after cleaning you rinse with clear water to remove all traces of soap.
- C) Windows:** It is very important that you keep your windows clean! Use a mild soap and water solution to gently clean your windows. **NEVER** wipe your windows clean with a dry cloth! Dust and dirt on a dry cloth can scratch your windows causing “fogging” and permanent damage. When removing your windows, store them in the window storage bag provided. Do not use any chemical cleaners of any kind on glass.
- D) Pre-Installation requirements**
Remove existing hard or soft top and all original hardware on your Jeep Wrangler.

Jeep® Wrangler 2007-2018 Trail Armor™ con capota Fastback 2 puertas (JK) 14935

N.º de pieza: BWT-14935
Rév.-2 04/16/2018

Para obtener información completa sobre la instalación, visite: www.bushwacker.com

TOOLS FOR EASY INSTALLATION:

- Destornillador Phillips
- Trinquete y extensiones
- Puntas Torx
- Llave Allen
- Atornillador de pernos pequeño
- Gafas de seguridad

Trail Armor Soft Top™

GARANTÍA LIMITADA DE POR VIDA POR DEFECTOS DE FABRICACIÓN

- Para reclamar una garantía, debe proporcionar el comprobante de compra.

El kit de componentes incluye lo siguiente:

- | | | | | |
|--|---|---------------------------------------|----------------------------------|-------------------------------|
| 1. | 2. | 3. | 4. | 5. |
| | | | | |
| Tela de cubierta principal con bolsa de almacenamiento de ventanas 1 pieza | Ventana lateral trasera izq., 1 pieza | Ventana lateral trasera der., 1 pieza | Ventana trasera 1 pieza | Placa de bisagra izq. 1 pieza |
| 6. | 7. | 8. | 9. | 10. |
| | | | | |
| Placa de bisagra der. 1 pieza | Retén plástico de puerta trasera 2 piezas | Barra de puerta trasera 1 pieza | Tornillo autorroscante 28 piezas | Perno de reborde 4 piezas |

Contenido

11.



Componentes de la capota abatible
1 pieza

12.



Barra horizontal recta, izq. 1 pieza

13.



Barra horizontal recta, der., 1 pieza

14.



Barra vertical recta, izq. 1 pieza

15.



Barra vertical recta, der. 1 pieza

16.



Esquina superior de plástico, izq. 1 pieza

17.



Esquina superior de plástico, der. 1 pieza

18.



Ventana lateral de la esquina izq., 1 pieza

19.



Ventana lateral de la esquina der., 1 pieza

20.



Soporte de marco de puerta trasera, 2 piezas

21.



Perilla de giro vertical
2 piezas

22.



Correa de retención superior
1 pieza

23.



Tuerca, 4 piezas

24.



Perilla para marco de puerta; larga, corta, media; 6 piezas

25.



Pestillo delantero,
2 piezas

26.



Correa de hardware (Bolt, Washer, Nut)
1 pcs

27.

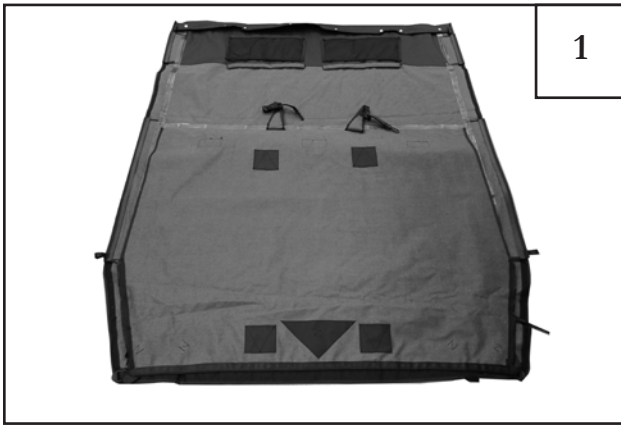


Soporte de marco de puerta trasera, 2 piezas



NO ABRA NI CIERRE LA CAPOTA MIENTRAS CONDUCE O MIENTRAS EL VEHÍCULO ESTÁ EN MOVIMIENTO. SE PUEDEN OCASIONAR DAÑOS GRAVES EN EL VEHÍCULO Y LA CAPOTA. SALGA DE LA CARRETERA SIEMPRE EN UN ÁREA SEGURA. DETENGA EL VEHÍCULO PARA PODER ESTACIONAR ANTES DE INTENTAR REPLEGAR O REASEGURAR LA CAPOTA.

Installation Procedures:



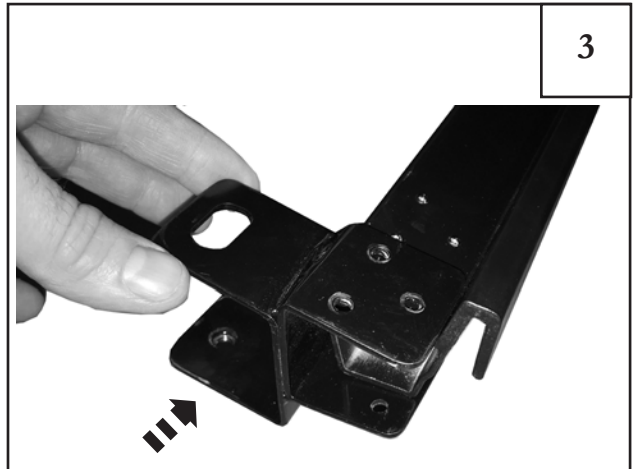
Despliegue la nueva capota y separe las piezas embaladas.

CONSEJO: Las piezas del marco de la puerta están marcadas con una "L" para el lado izquierdo (lado del conductor) en el embalaje de plástico. Las piezas del lado del pasajero están marcadas con una "R" para el lado derecho. Aparte las ventanas para un paso posterior y tenga cuidado de no rayarlas.

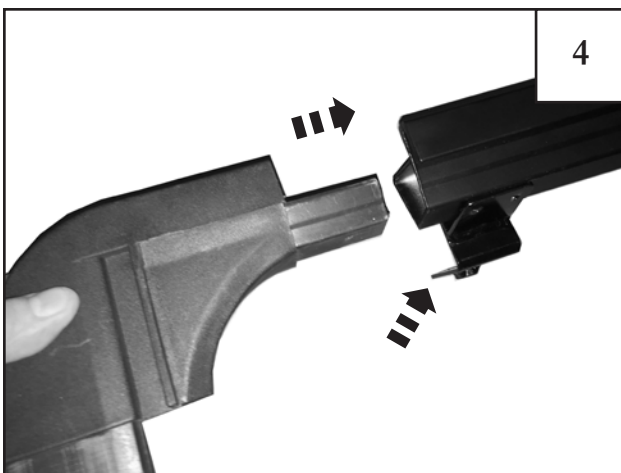
CONSEJO: No se pueden utilizar los marcos de puerta de fábrica. Utilice el marco de puerta suministrado en el kit, que ha sido diseñado específicamente para Trail Armor Soft Top™.



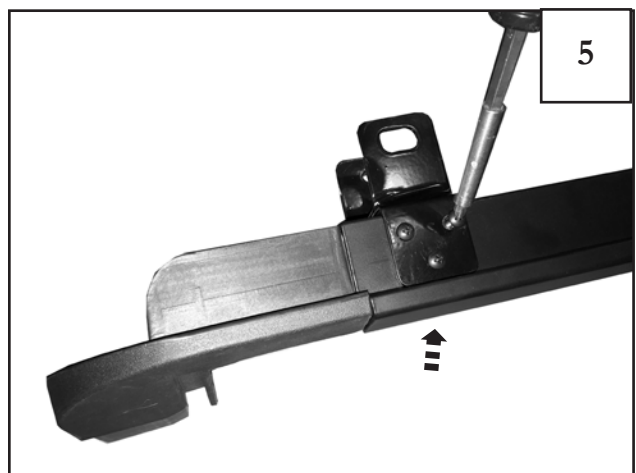
Para ensamblar el marco de la puerta, inserte la barra de extrusión delantera en la esquina del premontaje de la pieza horizontal superior, como se muestra en la imagen.



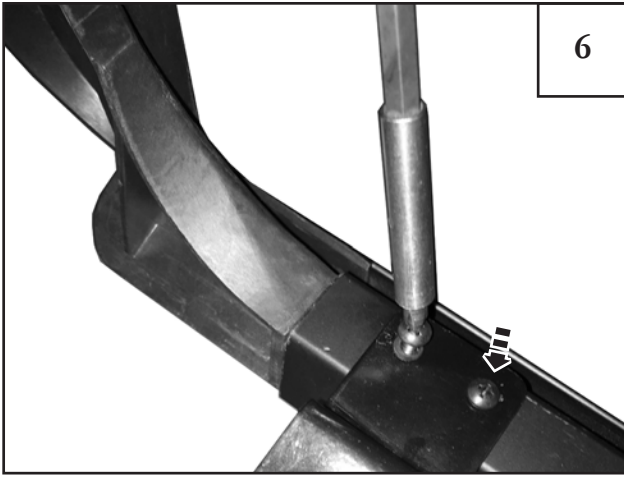
Instale el soporte trasero en el extremo trasero de la barra de extrusión trasera al deslizarlo para alinear los orificios, como se muestra en la imagen. No atornille en este momento.



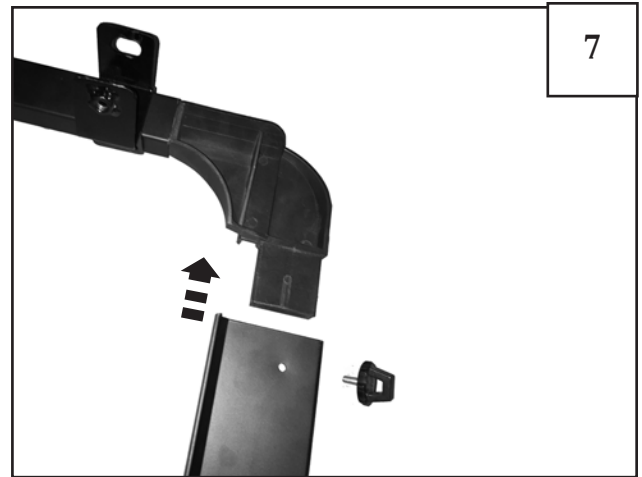
Con el soporte en el lugar, inserte la esquina de plástico en la barra de extrusión trasera.



Use 3 tornillos para ajustar la esquina de plástico y el soporte trasero, como se muestra en la imagen.



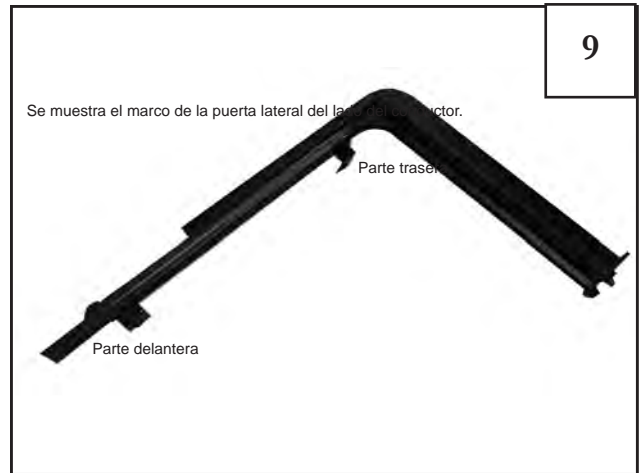
6
Gire el marco de la puerta para acceder al lado inferior. Con 2 tornillos, ajuste la esquina de plástico, como se muestra en la imagen.



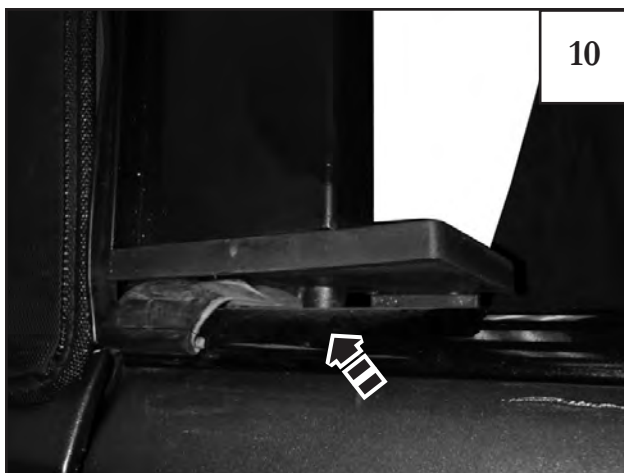
7
Inserte el otro extremo de la esquina de plástico en la barra de extrusión vertical y ajuste con el tornillo de la perilla de giro.



8
Instale y ajuste con el tornillo de la perilla de giro, como se muestra en la imagen.



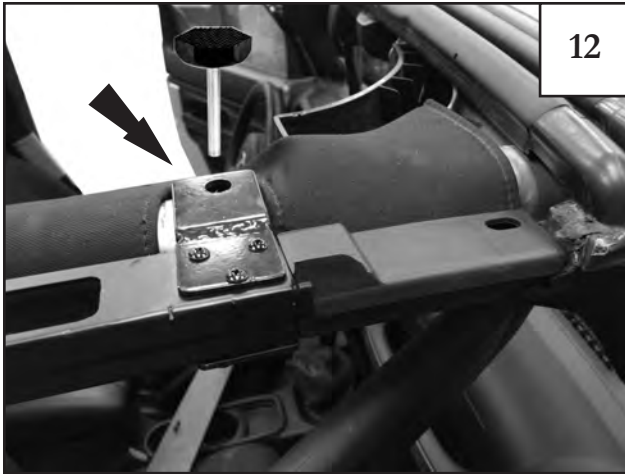
9
El ensamblaje del marco de la puerta ahora está completo. Repita estos pasos (pasos 2 al 9) para ensamblar el marco de la otra puerta.



10
Coloque todo el marco de la puerta en el vehículo y encaje el pasador de la base inferior en el orificio de la base del vehículo cerca del pestillo de la puerta trasera.

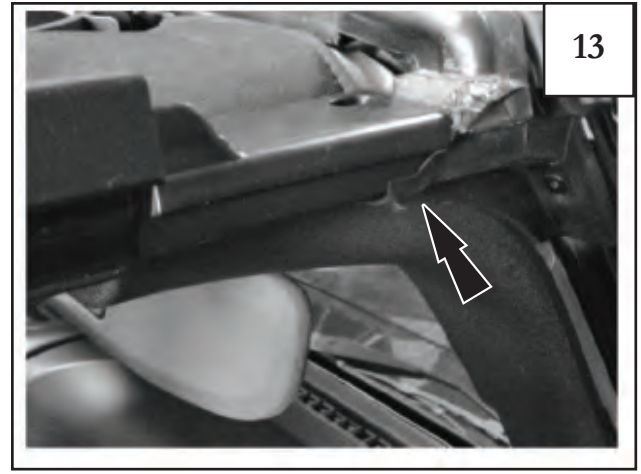


11
Coloque el soporte trasero del marco de la puerta en el vehículo y ajuste el soporte sobre la barra deportiva.



12

Coloque el soporte delantero del marco de la puerta en el vehículo y ajuste el soporte sobre la barra deportiva.



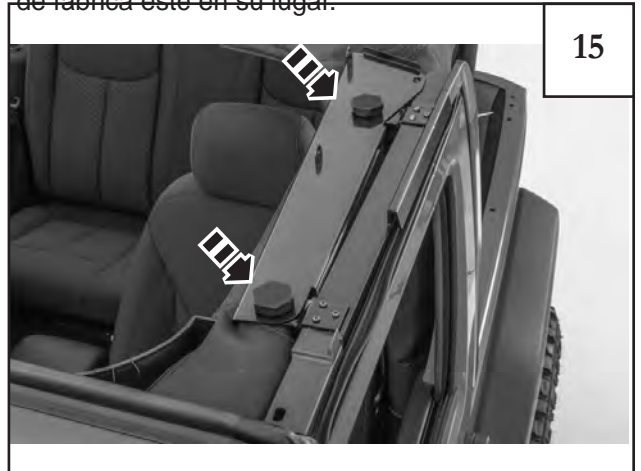
13

CONSEJO: Asegúrese de que la junta de goma en la parte superior del parabrisas esté correctamente sellada contra la sección del marco de la puerta delantera. Vea la fotografía para saber cómo debe ser el ajuste apropiado y verifique que el sello de espuma de fábrica esté en su lugar.



14

Coloque la placa de montaje del lado del conductor encima de todo el marco superior de la puerta en el vehículo y acomode el soporte sobre la barra antivuelco. Alinee el orificio delantero con el soporte delantero del marco de la puerta. Repita este paso de ambos lados.



15

Comenzando en el orificio del soporte delantero, inserte la perilla del marco de la puerta en el orificio y ajústela. Repita los pasos 14 al 15 del otro lado.



16

Coloque la correa de retención superior en el orificio de la placa de montaje del marco de la puerta ubicado en la parte trasera. Ubique el orificio no utilizado en la parte trasera de la placa del marco de la puerta como se muestra. Nota: Solo hay una correa y está instalada del lado del conductor.



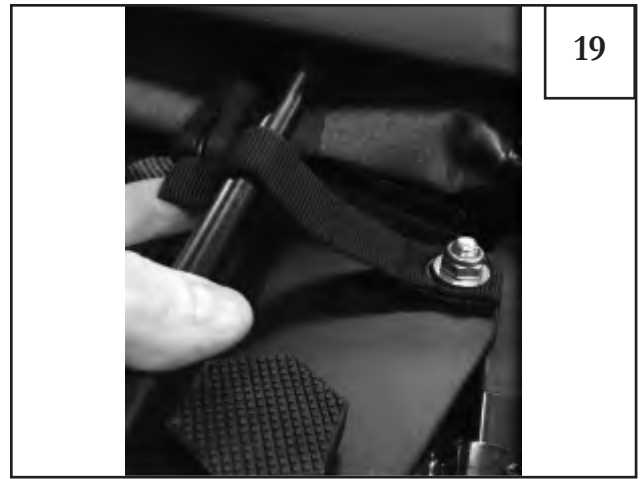
17

Coloque la correa de retención en su lugar con el perno a través del ojal de goma, como se muestra. A continuación, instale la segunda arandela y la tuerca Nylock en la parte superior de la correa y apriete con una llave de cubo de 13 mm y una llave de 13 mm.



18

Cuando la parte superior esté en la posición plegada hacia atrás, alcance y enganche la correa de retención sobre la barra como se muestra. **Nota: La correa se usa para fijar de forma segura la capota en la posición abierta a altas velocidades.**



19

Asegúrese de desenganchar la correa de retención de la barra antes de plegar la parte superior hacia adelante otra vez.



20

Use una punta Torx T25 para extraer la manija del parabrisas, tanto del lado del conductor como del lado del pasajero, como se muestra en la imagen.



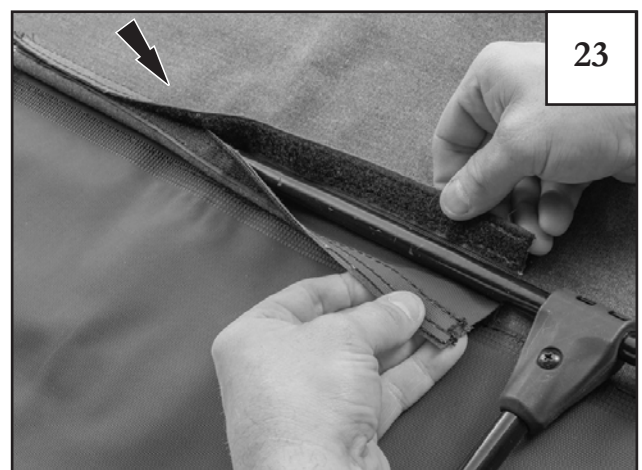
21

Instale el pestillo provisto como se muestra en la imagen y vuelva a fijarlo con la punta Torx T25 del paso anterior.



22

Coloque el ensamble de tubos de montaje de la capota encima de la tela de la cubierta principal y luego insértelo en el bolsillo delantero. Asegure con broches de presión, como se muestra en la imagen. **Consejo: Coloque el tubo de metal delantero en los bolsillos de las esquinas y tire hasta el final hasta que quede ajustado.**



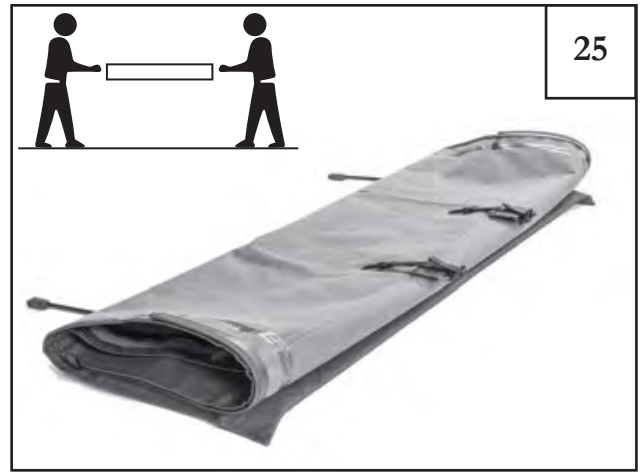
23

Fije el tubo de capota abatible a la capota principal de la cubierta con las solapas con cierre de velcro, como se muestra en la imagen, en ambos lados.



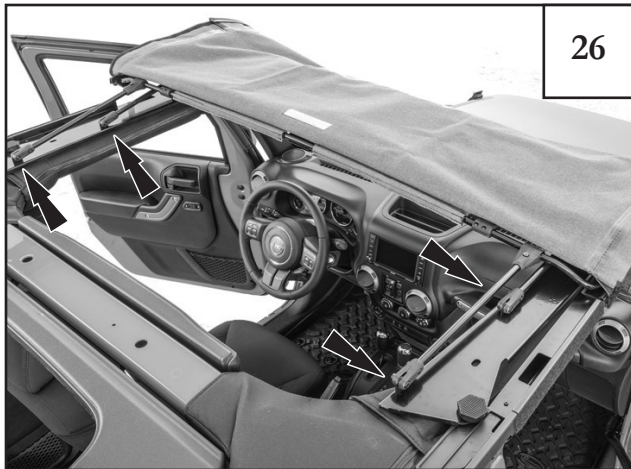
24

Inserte la tira de plástico en la pieza de metal cuadrada para ajustar correctamente, como se muestra en la imagen, en ambos lados.



25

CONSEJO: Coloque el lado superior hacia abajo y vuelva a plegar desde la parte de la ventana trasera. Puede ser útil contar con la ayuda de otra persona en este paso.



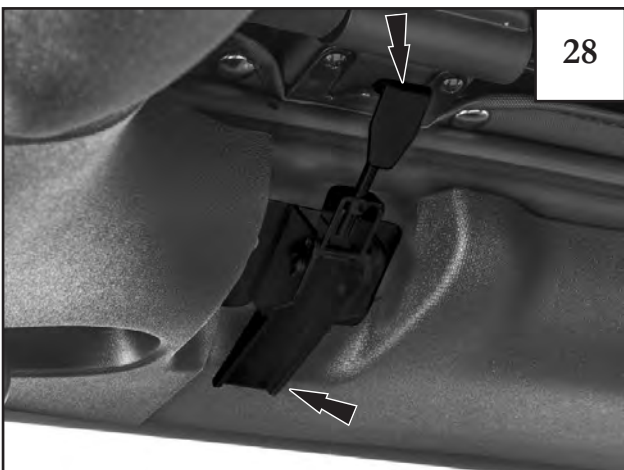
26

Levante la capota plegada y los componentes de montaje hacia la parte superior de la barra deportiva Wrangler. Colóquela y céntrala hacia la junta del parabrisas delantero, y alinee las 4 abrazaderas del punto de pivote, como se muestra en la imagen.



27

Con la llave Allen de 4 mm suministrada, instale los pernos de reborde desde el exterior de cada enganche del cabezal de ensamblaje de la capota y ajuste cada perno con 4 tuercas de presión. La tuerca de presión encajará en el plástico.



28

Presione firmemente el cabezal de ensamblaje de la capota abatible contra el sello del parabrisas y enganche para sujetarlo. Para lograr un ajuste firme y adecuado de los pestillos, desatornille cada pestillo de enganche delantero donde el gancho de cierre solo llega al ensamblaje del cabezal.



29

Cierre y asegure los pestillos delanteros, como se muestra en la imagen, en ambos lados.



30

Despliegue la capota sobre el bastidor de la barra deportiva hacia la parte trasera del vehículo.



31

Enrosque las dos correas sujetas a la sección central de la tela alrededor de la parte trasera y central de la barra de seguridad.



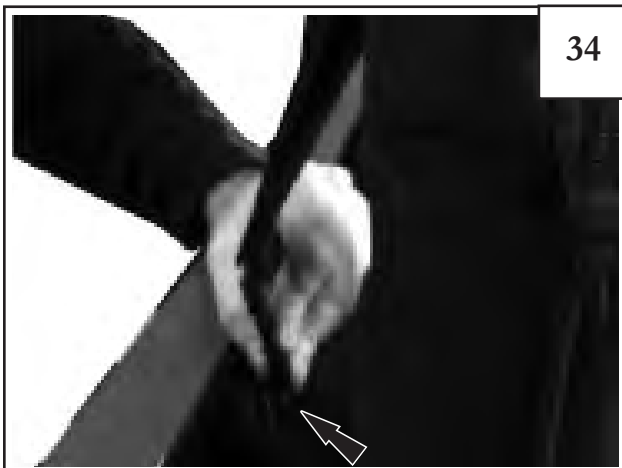
32

Inserte ganchos de plástico en los orificios de la parte inferior de la barra de seguridad. Tense la correa hasta que quede ajustada y luego enganche. **CONSEJO:** Si la capota está suelta en la parte superior, puede tensarla más para ajustarla.



33

Ubique la correa larga en la esquina trasera de la cubierta principal. Tire las correas hacia afuera de la barra deportiva.



34

Tire del gancho hacia abajo dentro del riel del cinturón de metal.



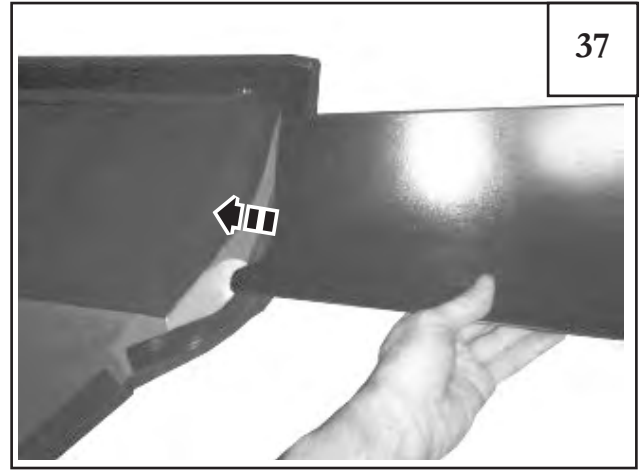
35

Tire de la correa firmemente y repita en el otro lado como se muestra.



36

Verifique que la parte superior esté centrada. La barra de soporte debe aparecer sobre las cremalleras en las almohadillas de la barra antivuelco, tanto a la izquierda como a la derecha, como se muestra arriba.



37

Preparación de la ventana: Introduzca el inserto angular de plástico negro en el bolsillo de la funda de tela ubicado dentro de la ventana trasera lateral. Repita a ambos lados.



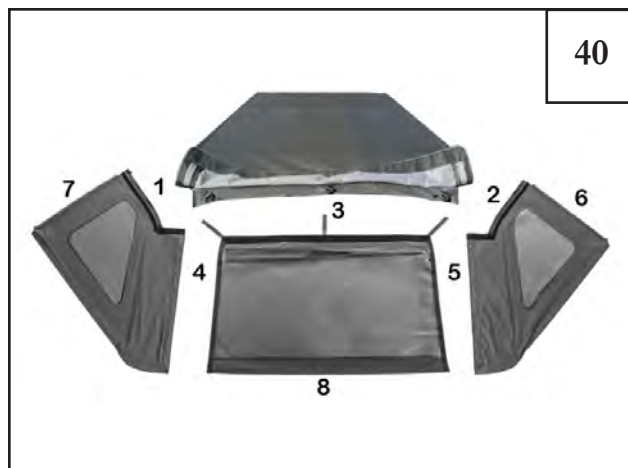
38

Inserte completamente hasta la parte superior, como se muestra aquí.



39

Levante los protectores plásticos para que la esquina quede debajo.



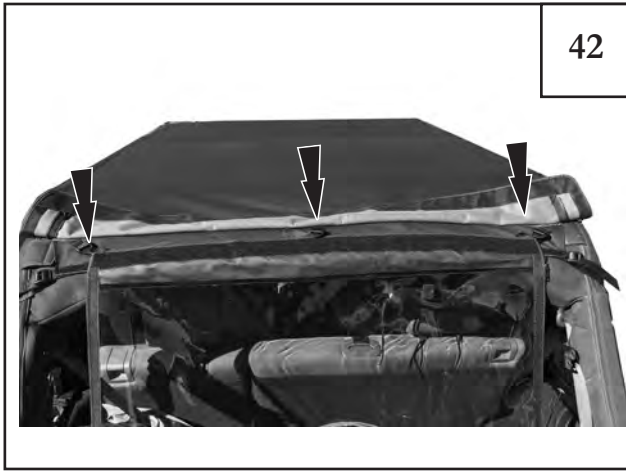
40

Orden de instalación de la ventana: **1, 2** Coloque las cremalleras en la cubierta principal. **3** Coloque las correas de la ventana trasera. **4, 5** Fije las ventanas traseras laterales a la ventana trasera con las cremalleras. **6, 7** Tira de plástico en el marco de la puerta. **8** Barra de puerta trasera en la parte inferior de la ventana trasera.



41

1, 2 Fije las ventanas laterales a la tela de la cubierta principal con las cremalleras. **CONSEJO: Deje aproximadamente 6 in antes del extremo.** Repita el mismo procedimiento del otro lado y deje las piezas sueltas en esta instancia.



42

3 Fije la ventana trasera a la tela de la cubierta principal con 3 correas, como se muestra en la imagen.



43

3 Fije la ventana trasera a la tela de la cubierta principal con las correas, como se muestra en la imagen. Deje las piezas sueltas en esta instancia.



44

3 Fije la ventana trasera a la tela de la cubierta principal con las correas, como se muestra en la imagen. Deje las piezas sueltas en esta instancia.



45

4, 5 Fije las ventanas laterales a la ventana trasera con las cremalleras y repita el mismo procedimiento para las ventanas del lado del pasajero, como se muestra más arriba. **CONSEJO: Una vez que comenzó a cerrar las cremalleras traseras, vuelva a la parte superior de la ventana lateral trasera y cierre la cremallera hasta el final [Paso 42].** Inserte la tira de plástico (6, 7) en el riel del cinturón.



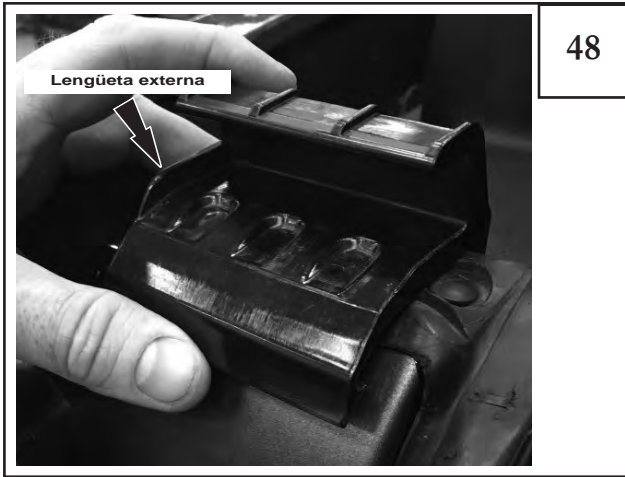
46

6,7 Inserte la tira de plástico vertical de las ventanas laterales en el marco de la puerta. Para esto, debe colocarla en el borde vertical del marco de la puerta, como se muestra en la imagen. **CONSEJO: Comience en la esquina superior para insertar el borde de plástico en el riel del marco de la puerta.**



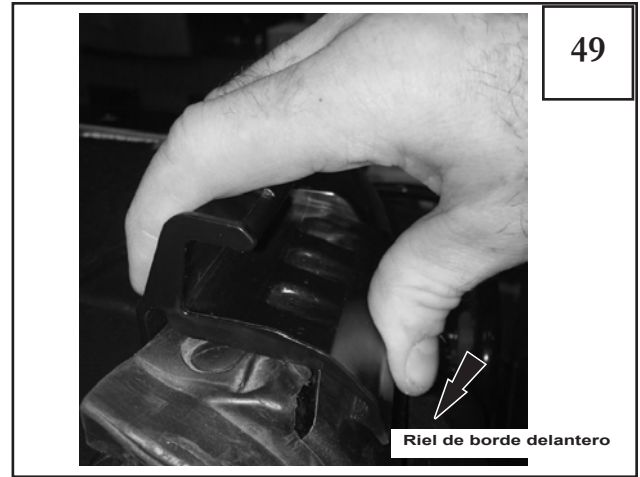
47

8 Deslice la barra de la puerta trasera en la parte inferior de la ventana trasera con el riel en forma de C incorporado para guiarla por la solapa y el tubo pequeño.



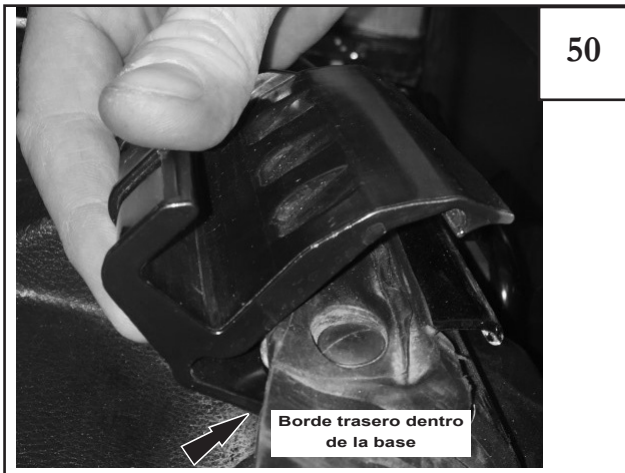
48

Posición de instalación. La pestaña va al exterior del vehículo. Se muestra el lado del conductor.



49

Cierre la abrazadera al presionar el borde delantero sobre la chapa metálica del riel del cinturón. La abrazadera se ajustará y se fijará en la parte inferior del borde del tubo.



50

Instale el soporte de la barra del retén de la puerta trasera al enganchar el borde trasero del retén en la base interior. Cierre la abrazadera al presionar el borde delantero sobre la chapa metálica del riel del cinturón.



51

Ajuste todas las correas y presione las solapas con cierre de velcro para sellar la ventana trasera, como se muestra en la imagen.



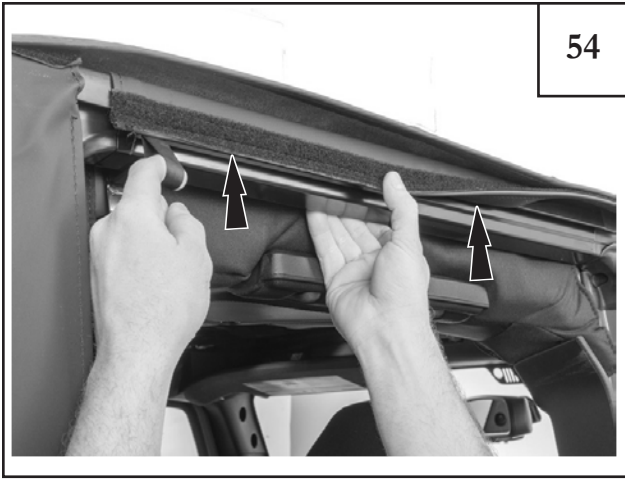
52

Tome la barra de la puerta trasera de la ventana trasera con las 2 manos y colóquela en los broches de sujeción, como se muestra en la imagen. Consejo: Asegúrese de que la barra quede centrada en ambos lados por igual. A continuación, al girarla hacia abajo, quedará fija en el lugar.



53

Cierre las cremalleras de la ventana trasera. Cierre las cremalleras de la ventana trasera en tramos cortos, aproximadamente de 2 a 4 in a la vez, de un lado al otro hasta completar.



54

Instale la tira de ajuste plástica de la cubierta principal en los marcos de la puerta. Después de que el plástico esté insertado, debe cerrar la parte de la solapa con cierre de velcro contra los marcos de la puerta.



55

Deslice el canal de la ventana trasera lateral en el riel de la base, como se muestra en la imagen.



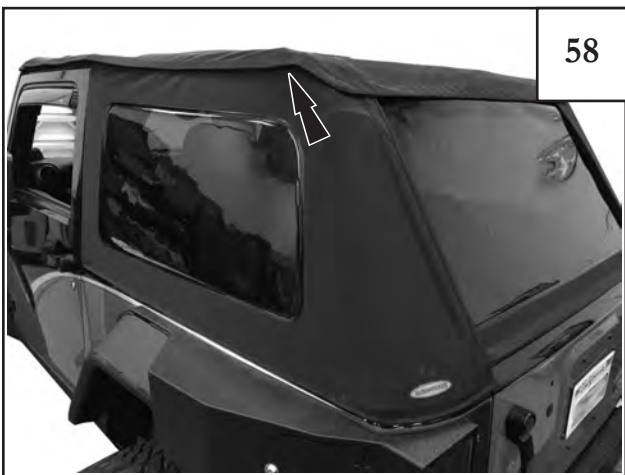
56

Continúe por las esquinas de la ventana trasera. Comience desde el lateral.



57

Sujete la última parte de la esquina de la ventana debajo de los retenes de la ventana trasera, como se muestra en la imagen.



58

La instalación de la capota está completa. Asegúrese de que todas las solapas con cierre de velcro estén cerradas.



59

Los siguientes pasos muestran el uso después de la instalación. Con el vehículo completamente detenido y estacionado en un área segura, destrabe los dos pestillos delanteros. Desprenda las tiras laterales con cierre de velcro fijadas a los marcos de las puertas superiores.



60

Tome la manija de agarre ubicada en el centro de la capota abatible y empuje hacia arriba. El bastidor girará hacia la parte posterior del vehículo y se apoyará sobre sí mismo.



61

Una vez que la capota esté abierta, recuerde acoplar la correa de retención para una velocidad superior a 55 mph [consulte el paso 19].



62

Mientras esté abierta, la tela de la capota se apoyará en la cubierta superior sobre la barra de seguridad, lo que le permitirá disfrutar una gran experiencia al aire libre. Coloque la correa de retención en el bastidor (consulte el paso 18).



63

Después de retirar todas las ventanas, puede guardarlas en la bolsa de almacenamiento de ventanas suministrada, que encuentra entre las dos capas en la parte trasera de la cubierta principal.



64

Para cerrar, pare el vehículo, salga de la carretera en un área segura y ponga el vehículo en modo estacionamiento. Retire la correa de retención, levante la manija de agarre central y empuje hacia arriba. El bastidor girará hacia la parte delantera del vehículo. Cierre ambos pestillos del parabrisas y vuelva a colocar los cierres de velcro en los marcos de la puerta.



65

¡Disfrute su **Bushwacker Trail Armor Soft Top™!**



STEP 1 – PRIOR TO INSTALLATION

- A)** Bushwacker only approves installing the soft top according to these written instructions with the hardware provided. **WARNING:** Failure to install according to these instructions will invalidate the warranty. This includes, but is not limited to using alternative installation methods, hardware, or materials. For correct installation of the top in warm weather is optimal for ease of installation. Temperature should not be less than 70° (21C). Initial installation is the most difficult as the fabric has not been stretched. The top will loosen slightly with use and warm temperature.
- B) Care & Cleaning:** Bushwacker soft tops are built to last; Washing: The soft top fabric should be washed often using a mild soap, warm water and a soft bristle brush (do not use the brush on the window glass!). You can also use special soft top cleaners. Make sure that after cleaning you rinse with clear water to remove all traces of soap.
- C) Windows:** It is very important that you keep your windows clean! Use a mild soap and water solution to gently clean your windows. **NEVER** wipe your windows clean with a dry cloth! Dust and dirt on a dry cloth can scratch your windows causing “fogging” and permanent damage. When removing your windows, store them in the window storage bag provided. Do not use any chemical cleaners of any kind on glass.
- D) Pre-Installation requirements**
Remove existing hard or soft top and all original hardware on your Jeep Wrangler.

Jeep® Wrangler 2007–2018 Toit Fastback Trail Armour™ 2 portes (JK) 14935

N° de réf. BWT-14935
Rév.-2 04/16/2018

Pour des informations complètes sur le montage,
visitez : www.bushwacker.com

TOOLS FOR EASY INSTALLATION:

- Tournevis Phillips
- Clé à cliquet et pièces de prolongement
- Embouts Torx
- Clé hexagonale (Allen)
- Petit chasse-boulons
- Lunettes de protection

Trail Armour Soft Top™

GARANTIE À VIE LIMITÉE CONTRE TOUT DÉFAUT DE FABRICATION

- Pour bénéficier de la garantie, vous devez fournir une preuve d'achat.

L'ensemble du matériel comprend :

1.



Bâche principale avec sac de rangement de fenêtres
1 pièces

2.



Fenêtre arrière gauche 1 pièce

3.



Fenêtre arrière droite 1 pièce

4.



Lunette arrière 1 pièces

5.



Lame de charnière gauche 1 pièces

6.



Lame de charnière droite 1 pièces

7.



Attache en plastique du hayon 2 pièces

8.



Barre de hayon 1 pièces

9.



Vis autotaraudeuse 28 pièces

10.



Boulon à épaulement 4 pièces

Contenus (suite)

11.



Matériel du toit ouvrant
1 pièces

12.



Horizontale supérieure
droite 1 pièces

13.



Horizontale supérieure
gauche 1 pièce

14.



Montant vertical
gauche 1 pièces

15.



Montant vertical de
droite 1 pièces

16.



Coin supérieur en
plastique gauche
1 pièces

17.



Coin supérieur en
plastique de droite
1 pièces

18.



Fenêtre d'angle gauche
1 pièce

19.



Fenêtre d'angle de
droite 1 pièce

20.



Support arrière du
châssis de porte
2 pièces

21.



Bouton de serrage
2 pièces

22.



Sangle de retenue
supérieure 1 pièces

23.



Écrous 4 pièces

24.



Bouton de châssis de porte
Long, moyen, court 6 pièces

25.



Loquet avant 2 pièces

26.



Sangle matériel
(Bolt, Washer, Nut)
1 pcs

27.

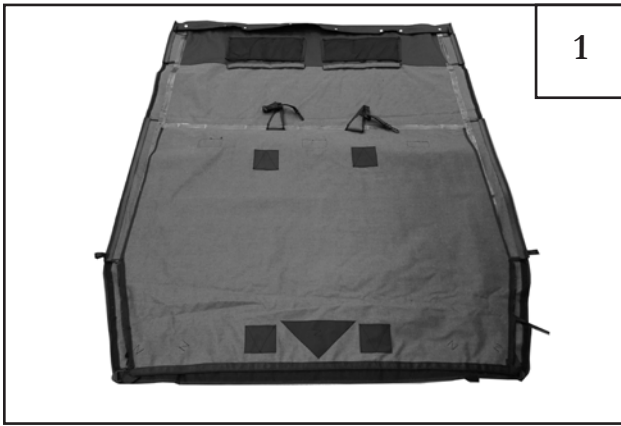


Support arrière du
châssis de porte
2 pièces



N'OUVREZ NI NE FERMEZ JAMAIS VOTRE TOIT AMOVIBLE DURANT LA CONDUITE OU DURANT TOUT DÉPLACEMENT DU VÉHICULE. VOTRE VÉHICULE ET VOTRE TOIT AMOVIBLE RISQUENT DE S'ENDOMMAGER. GAREZ-VOUS DANS UN ENDROIT SÛR ET ACTIONNEZ LE FREIN À BRAS AVANT DE RABATTRE OU DE FIXER VOTRE TOIT AMOVIBLE.

Installation Procedures:



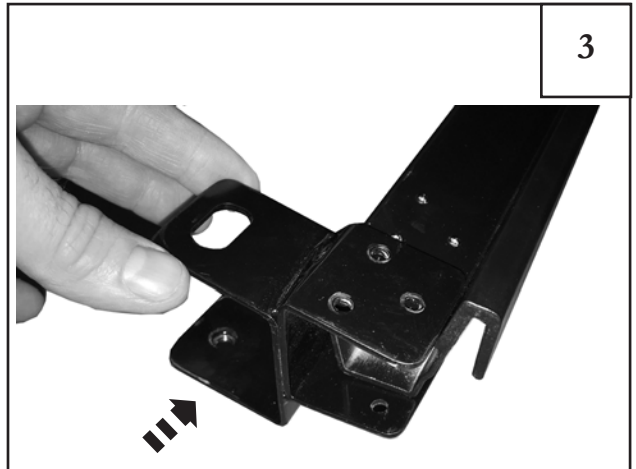
Dépliez votre toit amovible neuf et séparez les pièces emballées.

CONSEIL : Les pièces du cadre du châssis de porte sont marquées d'un « L » pour le côté gauche (côté conducteur) sur l'emballage en plastique. Les pièces du côté passager sont marquées « R » pour le côté droit. Mettez de côté les fenêtres pour une étape ultérieure et faites attention à ne pas les égratigner.

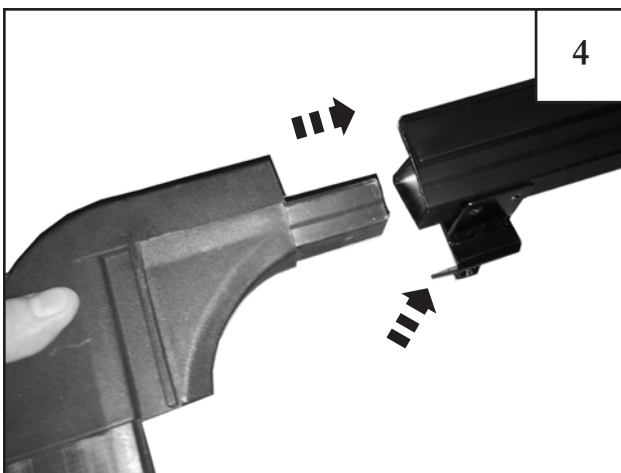
CONSEIL : Les châssis de porte d'origine ne peuvent pas être utilisés. Utilisez le châssis de porte fourni dans le kit spécialement conçu pour le Trail Armour Soft Top™.



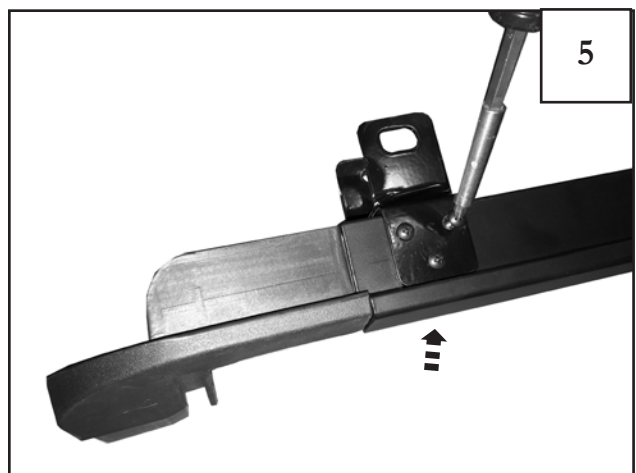
Assemblez le châssis de porte en insérant la barre d'extrusion avant dans le pré-assemblage de la partie supérieure horizontale du coin, comme illustré.



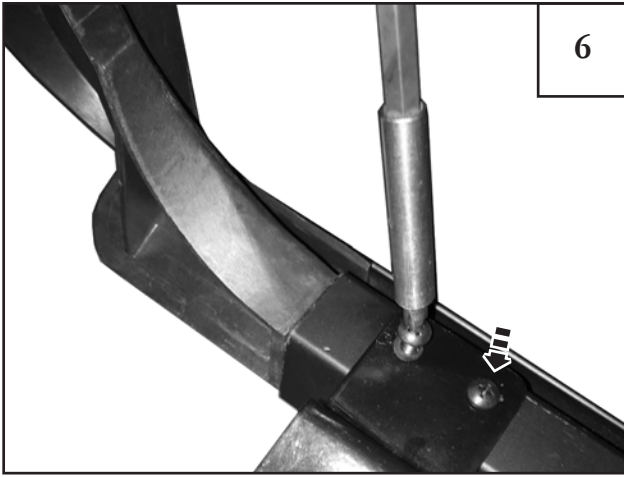
Faites glisser le support arrière sur l'extrémité arrière de la barre d'extrusion arrière pour aligner les trous comme indiqué. Ne vissez pas pour le moment.



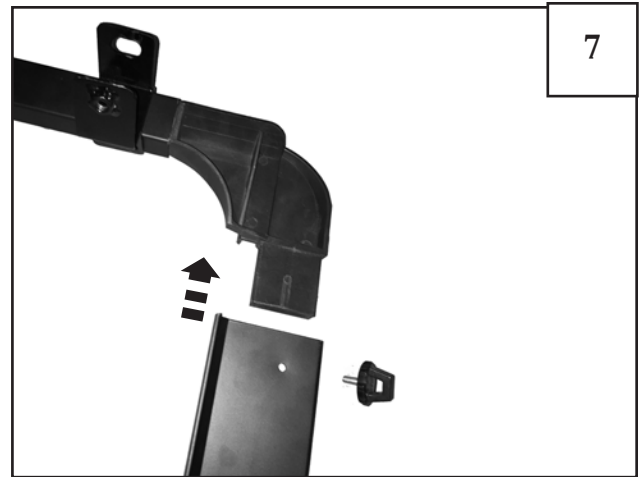
Avec le support en place, insérez le coin en plastique dans l'extrusion arrière.



À l'aide de 3 vis, fixez ensemble le coin en plastique et le support arrière comme indiqué.



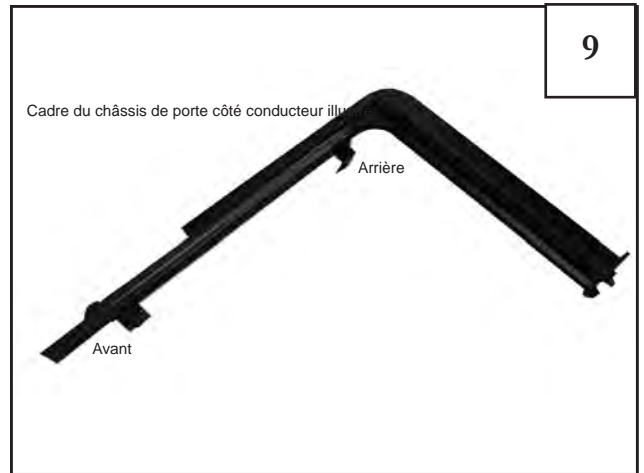
6
Retournez le châssis de porte pour voir l'autre face. Avec 2 vis, serrez le coin en plastique, comme indiqué.



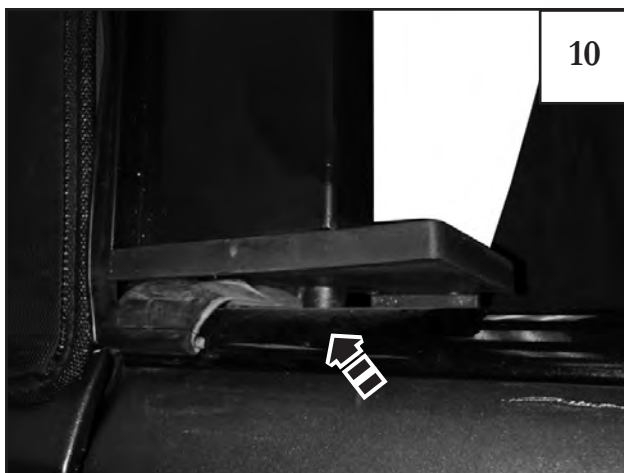
7
Insérez l'autre extrémité du coin en plastique dans la partie d'extrusion verticale et fixez-la à l'aide du bouton de serrage.



8
Montez et fixez avec le bouton de serrage comme indiqué.



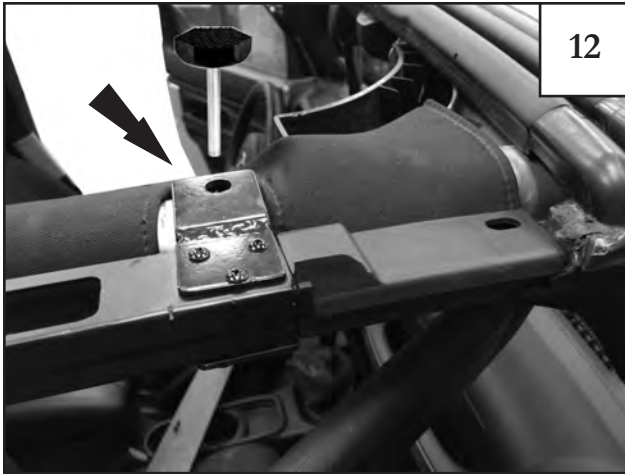
9
L'assemblage du châssis de porte est maintenant terminé. Répétez les étapes 2 à 9 pour assembler l'autre cadre du châssis de porte.



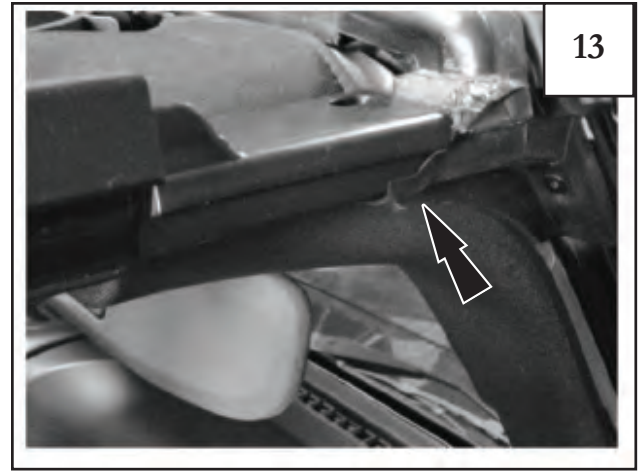
10
Placez le châssis de porte complété sur le véhicule et insérez la goupille de la base dans le trou dans le bac du véhicule près du loquet de la porte arrière.



11
Positionnez le support arrière du châssis de porte sur le véhicule et ajustez le support sur la barre de sport.



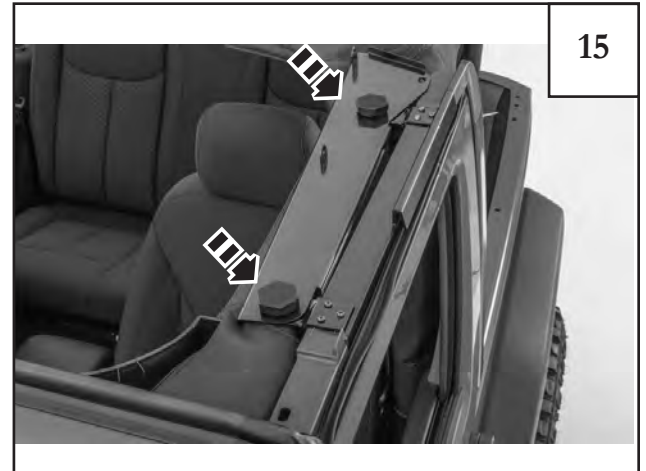
Positionnez le support avant du châssis de porte sur le véhicule et ajustez le support sur la barre de sport.



CONSEIL : Assurez-vous que le joint en caoutchouc en haut du pare-brise isole bien la partie du châssis de porte avant. Consultez la photo pour vérifier que tout est bien ajusté et vérifiez que le joint en mousse d'origine est en place.



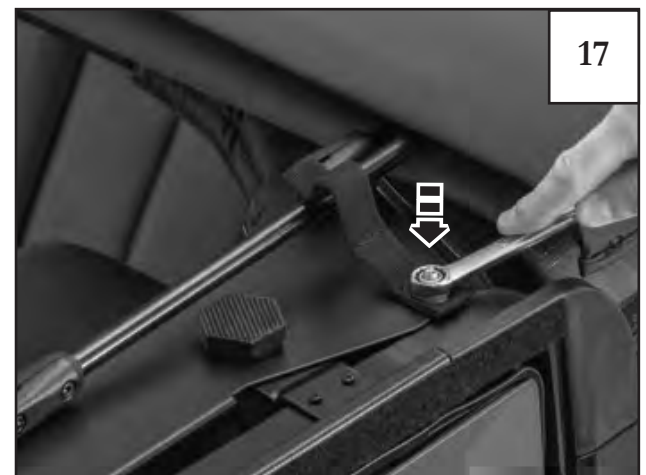
Placez la plaque de montage du côté conducteur au-dessus du châssis de porte complété sur le véhicule et ajustez le support sur l'arceau de sécurité. Alignez le trou avant sur le support avant du châssis de porte. Répétez cette étape de l'autre côté.



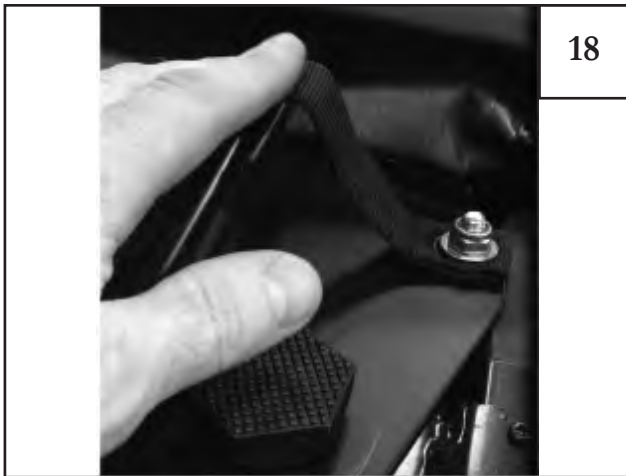
En commençant au niveau du trou du support avant, enfoncez le bouton du châssis de porte dans le trou et serrez. Recommencez les étapes 14 et 15 de l'autre côté.



Ajustez la sangle de retenue supérieure au trou de la plaque de montage du châssis de porte situé à l'arrière. Repérez le trou inutilisé à l'arrière de la plaque du châssis de porte, comme indiqué. Remarque : Il n'y a qu'une seule sangle et elle est installée côté conducteur.

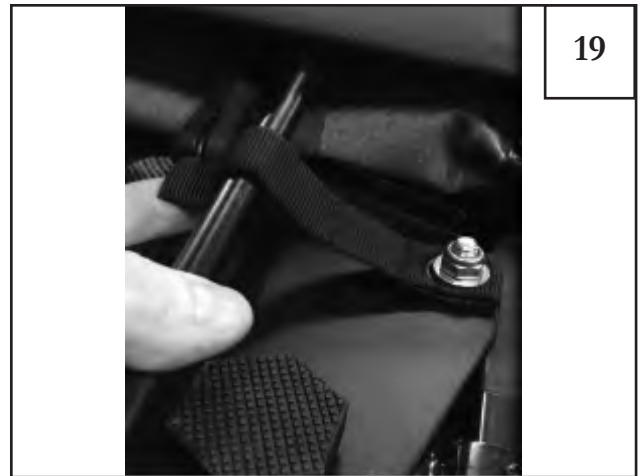


Positionnez la sangle de retenue avec le boulon à travers le passe-fil comme indiqué. Ensuite, installez la deuxième rondelle et l'écrou à frein élastique sur le dessus de la sangle et serrez avec une clé à douille de 13 mm et une clé de 13 mm.



18

Lorsque le toit est replié à l'arrière, soulevez et accrochez la sangle de retenue au-dessus de la barre, comme indiqué. **Remarque : La sangle est utilisée pour fixer en toute sécurité le toit amovible en position ouverte à vive allure.**



19

Assurez-vous de décrocher la sangle de retenue de la barre avant de replier le toit vers l'avant.



20

Utilisez un embout Torx T25 pour retirer la boucle de fantassin du pare-brise du côté du conducteur et du passager, comme illustré.



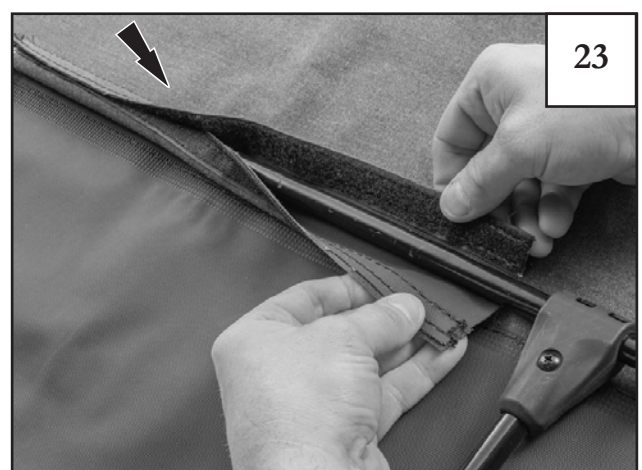
21

Installez le loquet fourni comme illustré et fixez-le avec le boulon Torx T25 utilisé à l'étape précédente.



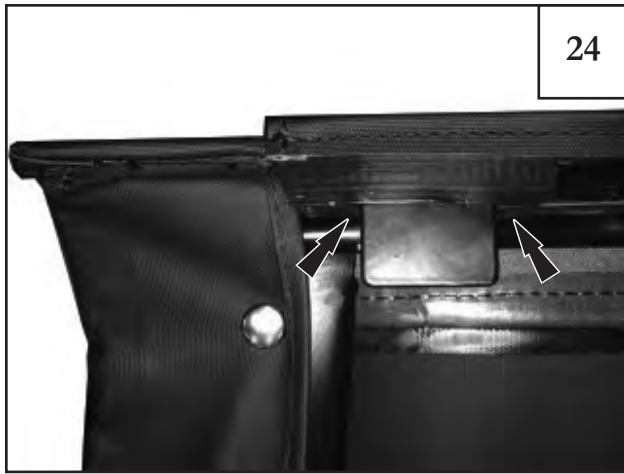
22

Placez l'assemblage des tubes de fixation du toit amovible au-dessus de la bâche principale, puis insérez-le dans la poche avant. Comme illustré, fixez-le avec des attaches. **Conseil : Placez le métal avant dans les poches d'angle et enfoncez-le jusqu'au bout.**



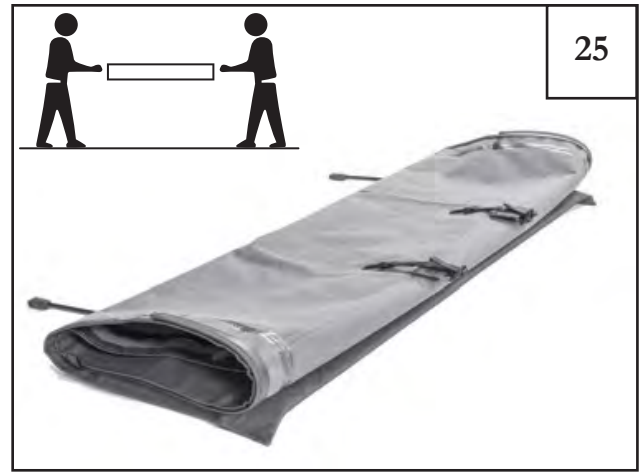
23

Comme illustré, fixez le tube du toit ouvrant à la bâche principale du toit amovible en attachant les rabats velcro des deux côtés.



24

Comme indiqué, rentrez la bande en plastique des deux côtés dans la pièce de métal carrée pour bien l'ajuster.



25

CONSEIL : Posez la face supérieure retournée vers le bas et repliez en commençant par la partie de la lunette arrière. Il est préférable d'être à deux pour le faire.



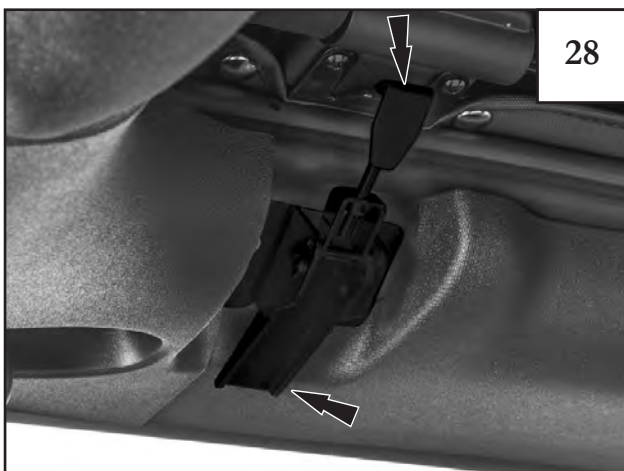
26

Soulevez le toit amovible plié et l'ensemble du matériel au-dessus de la barre de sport Wrangler. Placez et centrez vers le joint d'étanchéité du pare-brise avant et alignez les 4 pinces de point de pivotement comme indiqué.



27

À l'aide de la clé Allen de 4 mm fournie, installez les boulons à épaulement depuis l'extérieur de chaque articulation de l'assemblage de la traverse du toit amovible et serrez chaque boulon avec un contre-écrou (4 places). L'écrou de blocage s'ajustera dans le plastique.



28

Tirez fermement l'assemblage de la traverse du toit ouvrant contre le joint du pare-brise et accrochez-le. Pour bien ajuster les loquets, dévissez chaque vis du crochet de verrouillage avant là où il atteint l'assemblage de la traverse.



29

Maintenant, comme indiqué, fermez et bloquez les loquets avant des deux côtés.



30

Dépliez le toit amovible par-dessus le cadre de la barre de sport en direction de l'arrière du véhicule.



31

Attachez les deux sangles de la section centrale du tissu à l'arrière de la barre audio, au milieu.



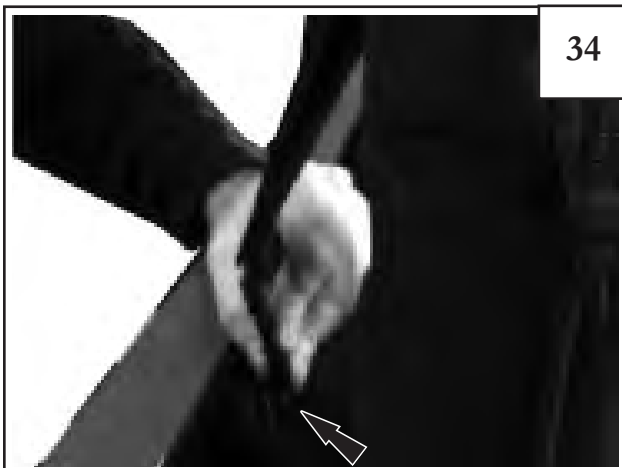
32

Insérez les crochets en plastique dans les trous sur le dessous de la barre audio. Serrez la sangle jusqu'à ce qu'elle soit bien serrée, puis accrochez-la en boucle.
CONSEIL : Si le toit amovible semble desserré en haut, il faut serrer encore plus les sangles.



33

Repérez la longue sangle au coin à l'arrière de la bâche principale. Tirez dessus vers l'extérieur de la barre de sport.



34

Tirez sur le crochet et vers la partie inférieure de l'intérieur du rail de ceinture du goujon en métal.



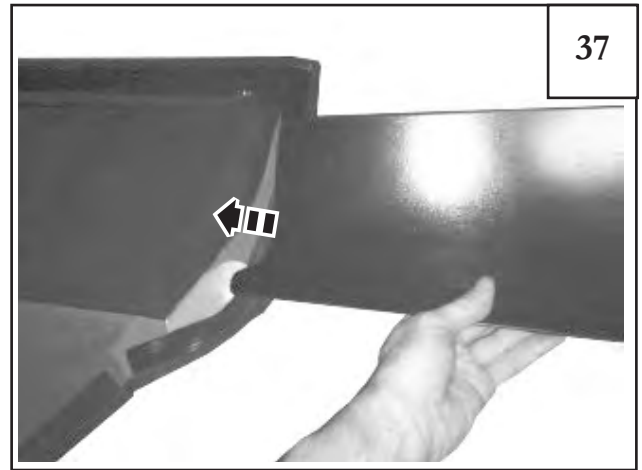
35

Tirez la sangle fermement et répétez de l'autre côté comme indiqué.



36

Vérifiez que le toit est centré, la barre de support doit apparaître au-dessus des fermetures à glissière sur les patins de l'arceau de sécurité, à égale distance à gauche et à droite comme indiqué ci-dessus.



37

Préparation de la fenêtre : Glissez la plaquette angulaire en plastique noir dans la poche fourreau en tissu située à l'intérieur de votre fenêtre arrière. Répétez de l'autre côté.



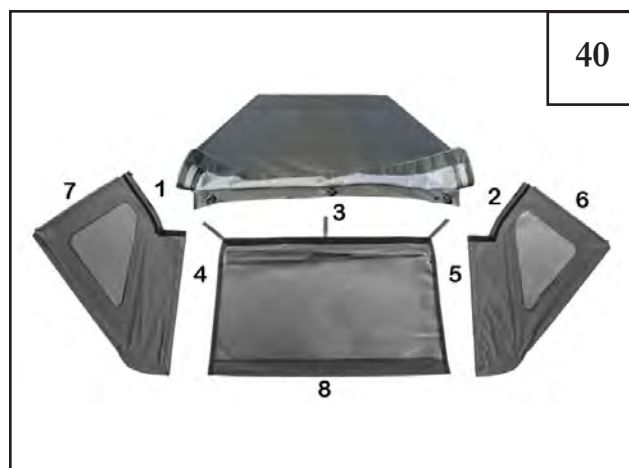
38

Enfoncez-la jusqu'en haut comme indiqué ici.



39

Soulevez les protections en plastique afin que la pièce angulaire soit en dessous.



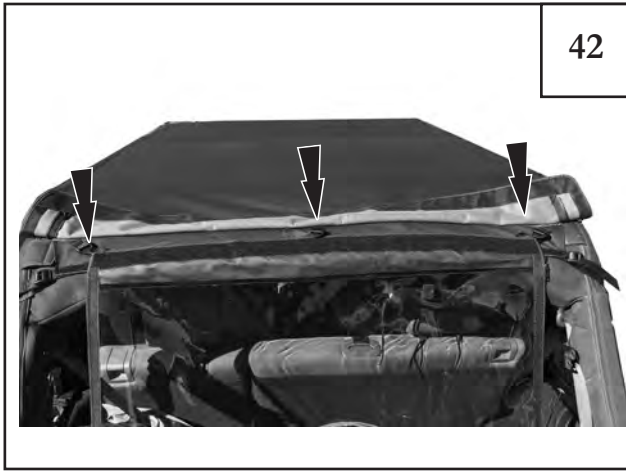
40

Ordre d'installation de la fenêtre : **1,2** Joignez les fermetures éclair à la bâche principale. **3** Fixez les sangles de la lunette arrière. **4,5** Fixez avec la fermeture éclair les vitres arrière à la lunette arrière. **6,7** Bande en plastique dans le châssis de porte. **8** Barre de hayon inférieure de la lunette arrière.



41

1,2 Fixez les vitres latérales à la bâche principale en fermant les fermetures éclair. **CONSEIL : Fermez-les jusqu'à environ 6 po de l'extrémité.** Répétez de l'autre côté et laissez les pièces desserrées pour l'instant.



42

3 Fixez la lunette arrière au tissu du couvercle principal avec les 3 sangles comme indiqué.



43

3 Fixez la lunette arrière au tissu de la couverture principale avec les sangles comme indiqué. Ne serrez pas les pièces pour le moment.



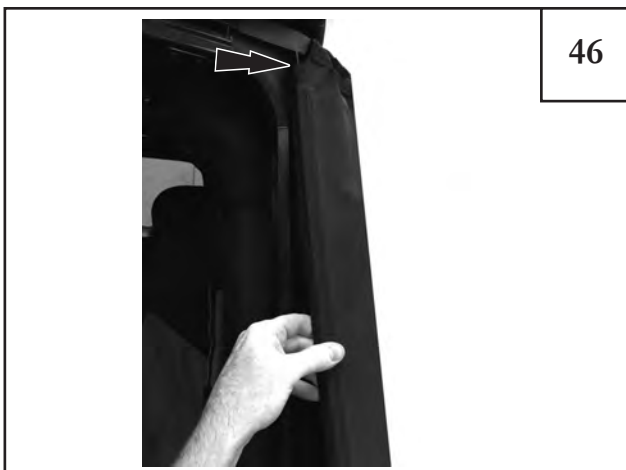
44

3 Fixez la lunette arrière au tissu de la couverture principale avec les sangles comme indiqué. Ne serrez pas les pièces pour le moment.



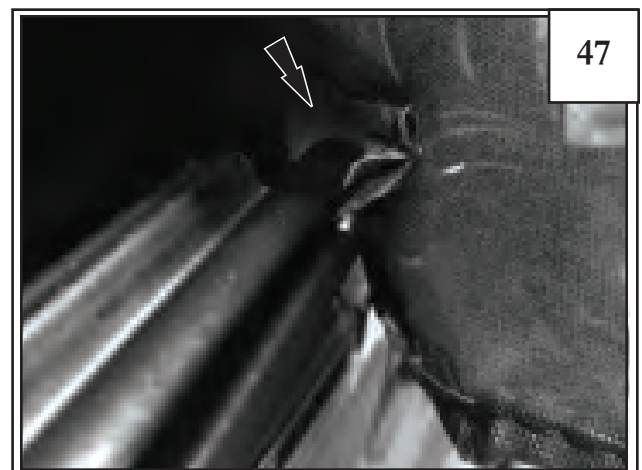
45

4,5 Comme illustré, fermez en partie la fermeture éclair des vitres arrière et de la lunette arrière et faites-en de même pour les vitres sur le côté. **CONSEIL : Commencez par les fermetures éclair arrière pour passer ensuite aux fenêtres latérales, puis fermez toutes les fermetures éclair entièrement [étape 42].** Rentrez 6,7 dans le rail de ceinture.



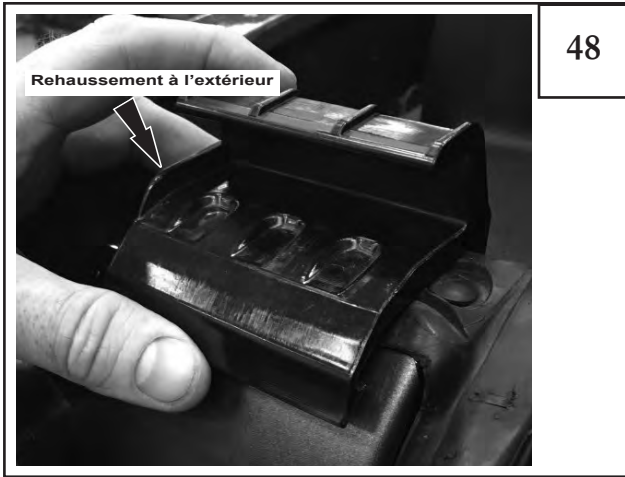
46

6,7 Rentrez le plastique vertical sur les fenêtres arrière dans le châssis de la porte en le plaçant dans la lèvre verticale du châssis de porte comme indiqué. **CONSEIL : Commencez dans le coin supérieur pour insérer le rebord en plastique dans le châssis de porte.**



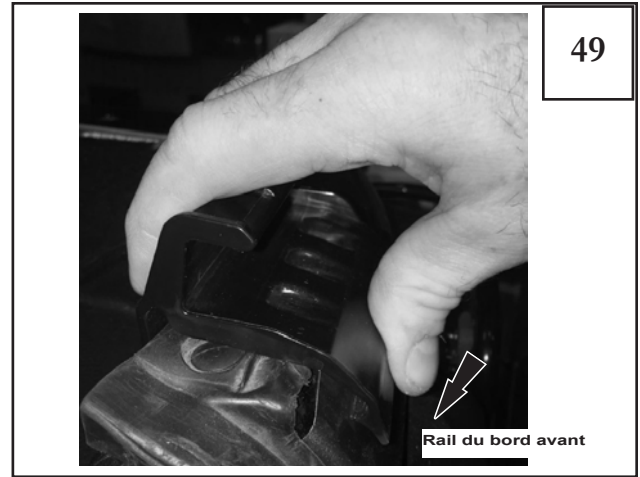
47

8 Glissez la barre de hayon sur le bas de la lunette arrière en utilisant le profilé en C intégré pour la guider sur le rabat et le petit tube.



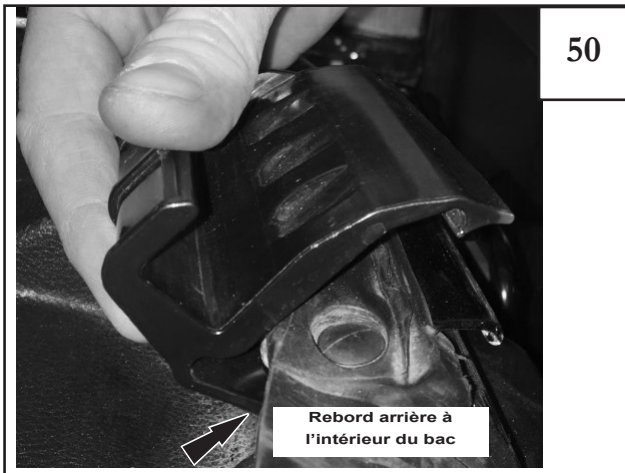
48

Position installée. Le rehaussement est à l'extérieur du véhicule. Le côté conducteur est illustré.



49

Fermez la pince en appliquant une pression vers le bas sur la tôle du rail de ceinture. L'attache s'enclenchera et se bloquera sous le rebord du tube.



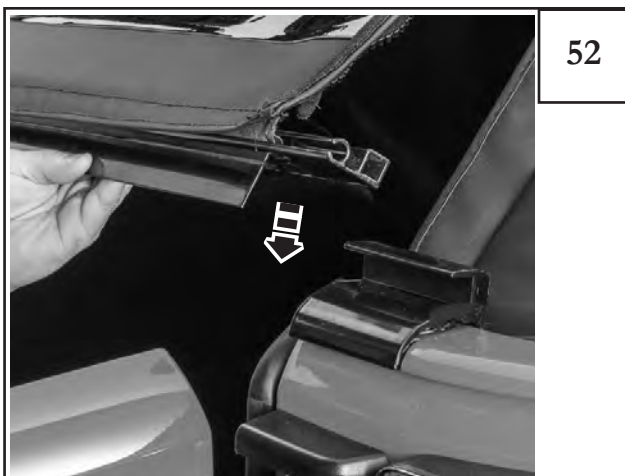
50

Accrochez le bord arrière de l'attache du hayon à l'intérieur du bac. Fermez la pince en appliquant une pression vers le bas sur la tôle du rail de ceinture.



51

Serrez toutes les sangles et fermez les rabats velcro pour sceller la lunette arrière comme indiqué.



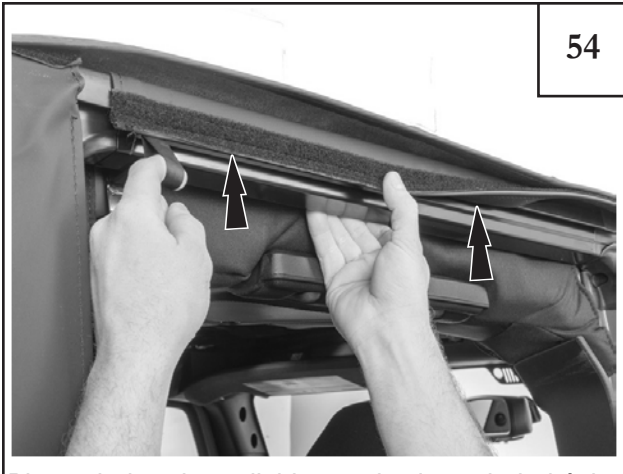
52

Prenez la barre du hayon de la lunette arrière avec les deux mains et placez-la dans les attaches de retenue comme indiqué. Conseil : Assurez-vous que la barre est centrée également d'un côté à l'autre. Ensuite, en la retournant vers le bas, elle se bloquera en place.



53

Fermez les fermetures éclair de la lunette arrière. Fermez entre 2 et 4 po à chaque fois, passant d'un côté à côté jusqu'à la fermeture complète.



54

Placez la bande repliable en plastique de la bâche principale dans le châssis des portes. Une fois le plastique rentré, le rabat avec velcro doit être proche du châssis de porte.



55

Faites glisser la bande inférieure de la fenêtre arrière dans le rail du corps du bac comme indiqué.



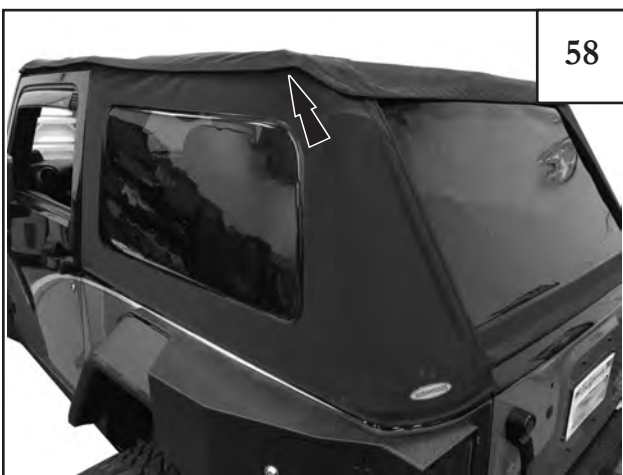
56

Continuez autour des coins de la lunette arrière. Commencez à partir du côté.



57

Insérez la dernière partie du coin de la fenêtre sous le dispositif de retenue de la lunette arrière comme indiqué.



58

L'installation du toit amovible est maintenant terminée. Assurez-vous que tous les rabats velcro sont fermés.



59

Les étapes suivantes montrent l'utilisation après l'installation. Lorsque votre véhicule est complètement garé dans une zone sûre, déverrouillez les deux loquets avant. Défaites les bandes velcro latérales attachées aux châssis supérieurs des portes.



60

Attrapez la poignée centrale de l'abattant et poussez vers le haut. Le cadre pivotera vers l'arrière du véhicule et reposera sur lui-même.



61

Une fois le toit amovible ouvert, n'oubliez pas de fixer la sangle de retenue pour une vitesse supérieure à 55 mi/h (88 km/h) [reportez-vous à l'étape 19].



62

Lorsqu'il est ouvert, le tissu du toit amovible repose sur le rail supérieur au-dessus de la barre audio, vous permettant de profiter d'une expérience de conduite « au grand air »! Remettez en place la sangle de retenue sur le cadre [voir l'étape 18].



63

Après avoir enlevé toutes les fenêtres, elles peuvent être rangées dans le sac de rangement pour fenêtres entre les deux couches dans la partie arrière de la bâche principale.



64

Pour fermer, sortez de la route dans un endroit sûr, arrêtez le véhicule et actionnez le frein à bras. Retirez la sangle de retenue, puis soulevez la poignée centrale et poussez vers le haut. Le cadre pivotera vers l'avant de la Jeep. Verrouillez les deux loquets du pare-brise et fixez à nouveau les attaches velcro sur les châssis de porte.



65

Profitez de votre **Trail Armor Soft Top™** de **Bushwacker!**