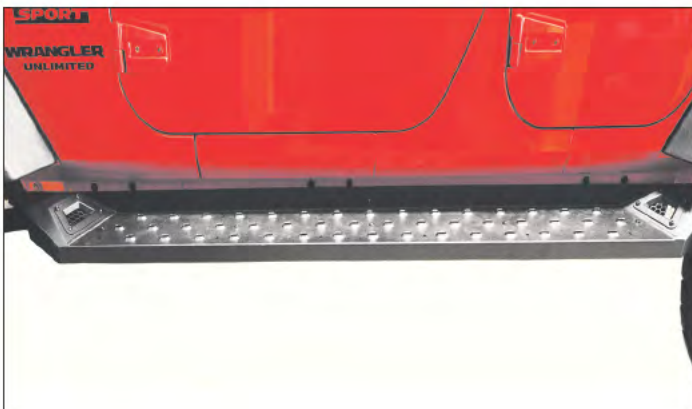




# Side Steps

Installation Manual: for '07-'18 Jeep  
Wrangler 4 Door JKU #12056-3105



**⚠ WARNING ⚠**

TO REDUCE RISK OF SERIOUS INJURY OR PROPERTY DAMAGE: READ ALL SAFETY MESSAGES AND UNDERSTAND ALL INSTRUCTIONS AND PROCEDURE NOTICES BEFORE ATTEMPTING TO INSTALL OR USE THIS PRODUCT.

**⚠ CAUTION ⚠**

RISK OF EYE INJURY! SAFETY GLASSES MUST BE WORN AT ALL TIMES WHILE INSTALLING OR MAINTAINING THIS PRODUCT. TORQUE AND RECHECK FASTENERS AFTER 250 MILES AND FREQUENTLY THEREAFTER. DO NOT USE IF DAMAGED.

**NOTICE**

CHECK STATE AND LOCAL HIGHWAY SAFETY LAWS REGARDING PERMITTED ON-ROAD EQUIPMENT.

**A FEW WORDS ABOUT PRODUCT SAFETY:**

Your Carnivore Side Steps are intended to enhance the utility and enjoyment of your vehicle. Follow safety information and installation recommendations. Throughout these instructions is important safety information that is generally preceded by one of three signal words indicating the relative risk of injury, property damage or adverse consequence.

The signal words mean:

**⚠ WARNING ⚠**

A HAZARDOUS SITUATION WHICH, IF NOT AVOIDED, COULD RESULT IN DEATH OR SERIOUS INJURY. YOU CAN BE KILLED OR SERIOUSLY HURT IF YOU DON'T FOLLOW INSTRUCTIONS.

**⚠ CAUTION ⚠**

A HAZARDOUS SITUATION WHICH, IF NOT AVOIDED, COULD RESULT IN A MINOR OR MODERATE INJURY. YOU CAN BE MODERATELY HURT AND ALSO MAY SUFFER PROPERTY DAMAGE IF YOU DON'T FOLLOW INSTRUCTIONS.

**NOTICE**

CAREFUL ATTENTION IS REQUIRED TO THIS INSTRUCTION OR OPERATION BUT DOES GENERALLY NOT RELATE TO PERSONAL INJURY. DAMAGE TO YOUR CARNIVORE PRODUCT OR OTHER PROPERTY MAY RESULT IF YOU DON'T FOLLOW INSTRUCTIONS.

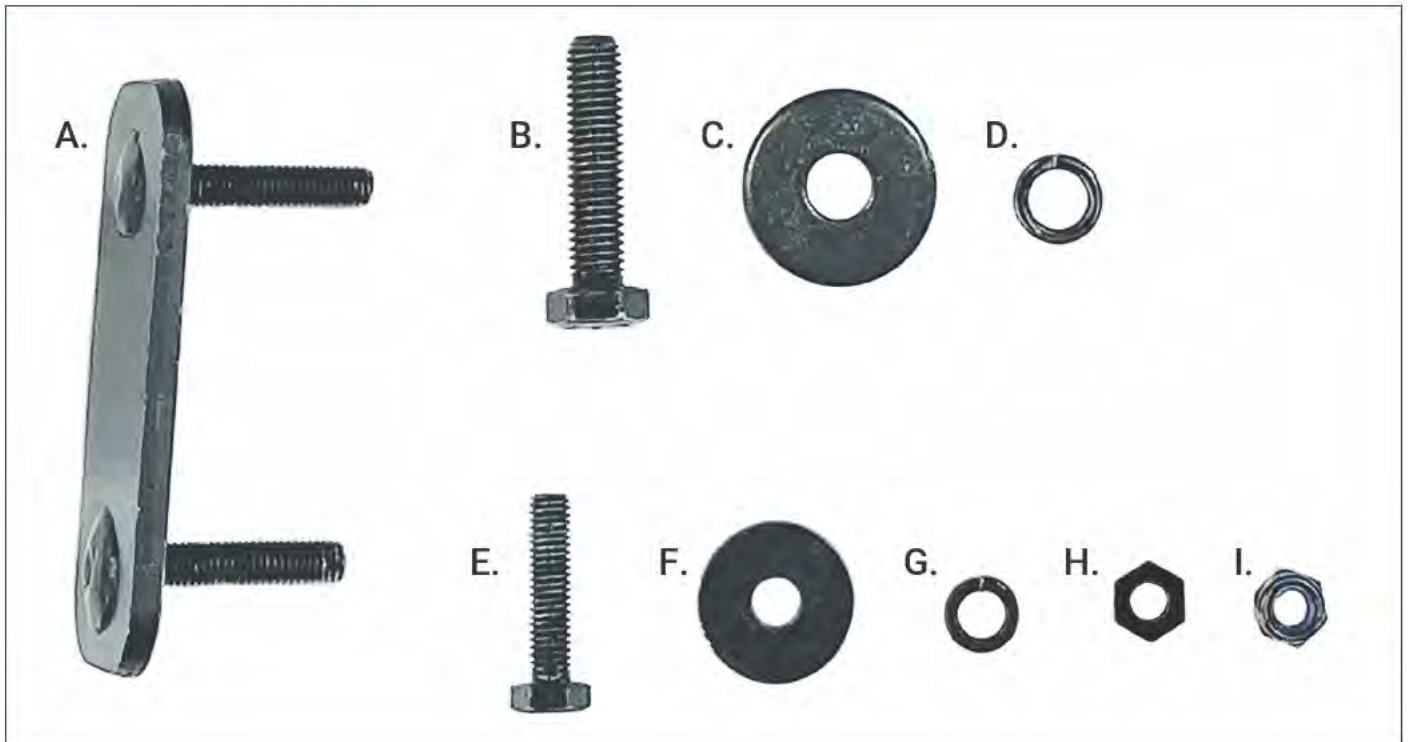
**BEFORE YOU BEGIN INSTALLATION:**

Congratulations on your purchase of Carnivore Side Steps for your Jeep® Wrangler. When unpacking, check to make sure all parts are included and not damaged due to shipping. If any part is missing or broken, please call Customer Service at 800-745-6037 as soon as possible. Thank you again for your purchase and let's start the installation process.

**⚠ CAUTION ⚠**

DO NOT USE THE SIDE STEP AS A WINCH/SELF-RECOVERY ATTACHMENT POINT

## PARTS & REQUIRED TOOLS



### KIT CONTENT LIST:

- A. 6mm 2 Bolt Anchor Plate (x6)
- B. M8 1.25 x 35mm Bolt (x6)
- C. 8mm Flat Washer (x6)
- D. 8mm Lock Washer (x6)
- E. M6 1.0 x 25mm Bolt (x12)
- F. 6mm Flat Washer (x36)
- G. 6mm Lock Washer (x12)
- H. 6mm Nut (x12)
- I. 6mm Nylock Nut (x12)
- J. Step Platforms (not shown)
- K. Mounting Bracket FL (x1)
- L. Mounting Bracket ML (x1)
- M. Mounting Bracket RL (x1)
- N. Mounting Bracket FR (x1)
- O. Mounting Bracket MR (x1)
- P. Mounting Bracket RR (x1)

K. - P. (See P.4 Bracket Identification)

### REQUIRED TOOLS:

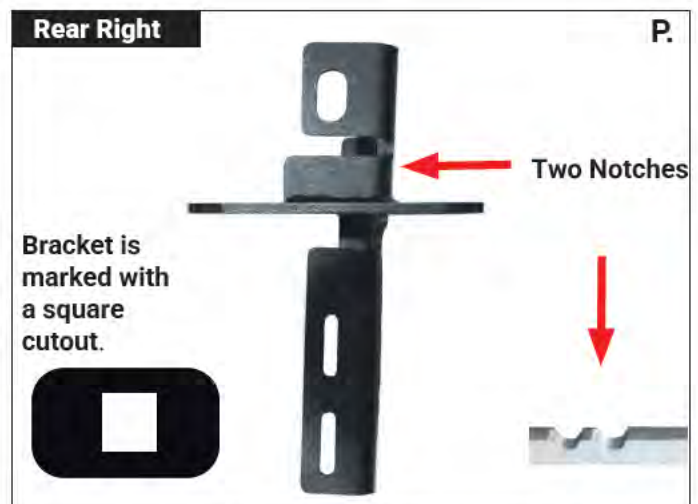
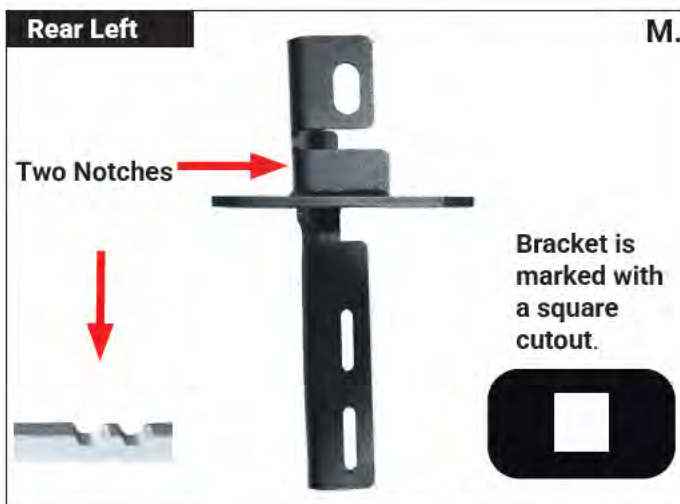
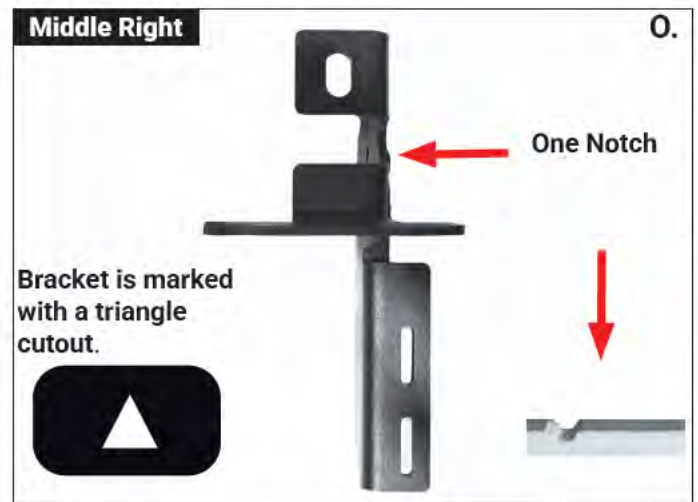
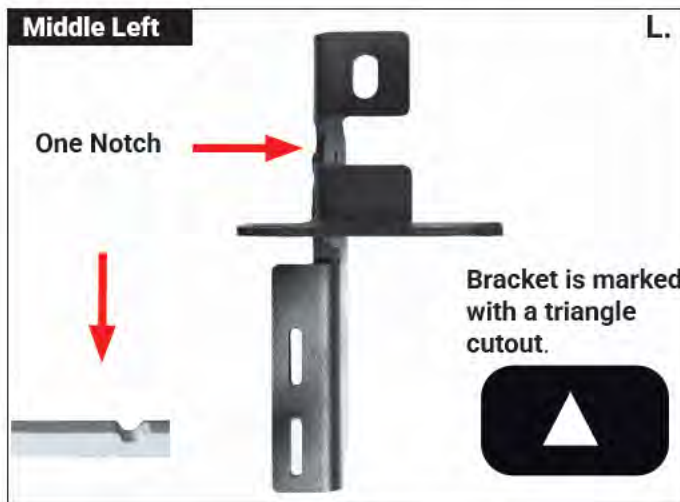
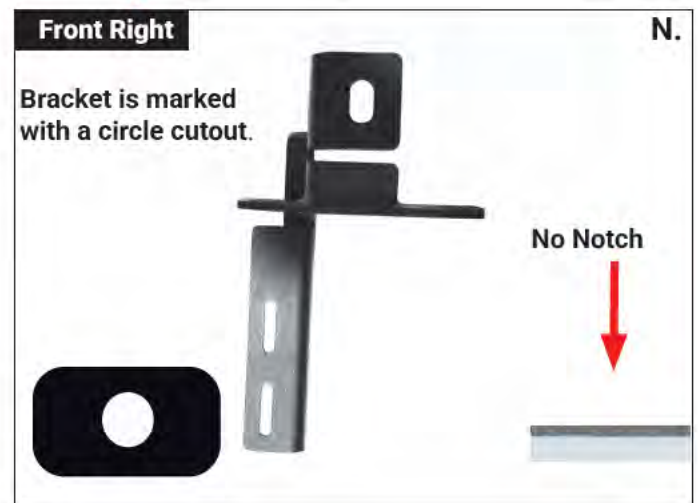
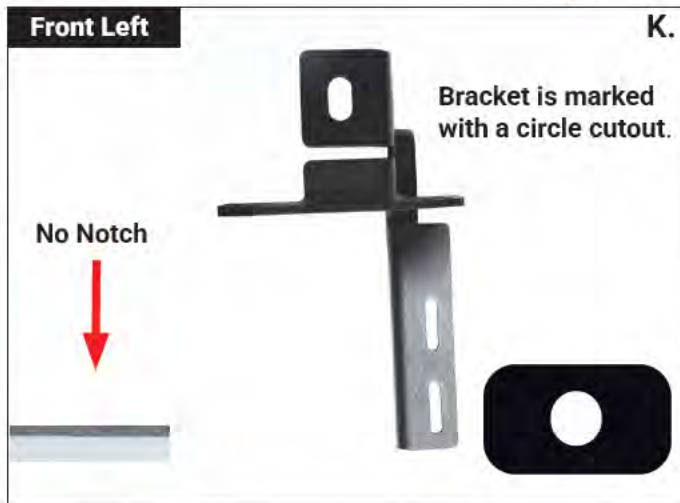
- Safety Glasses
- 13mm Socket or Wrench
- 10mm Deep Socket
- 10mm Wrench

## NOTICE

INCLUDED IN THE PARTS CONTENTS ARE SIX BRACKETS. THESE BRACKETS ARE UNIQUE AND ARE SHOWN IN THE CORRECT ORDER AND PLACEMENT ON THE NEXT PAGE.

## BRACKET IDENTIFICATION

↑ FRONT OF VEHICLE ↑

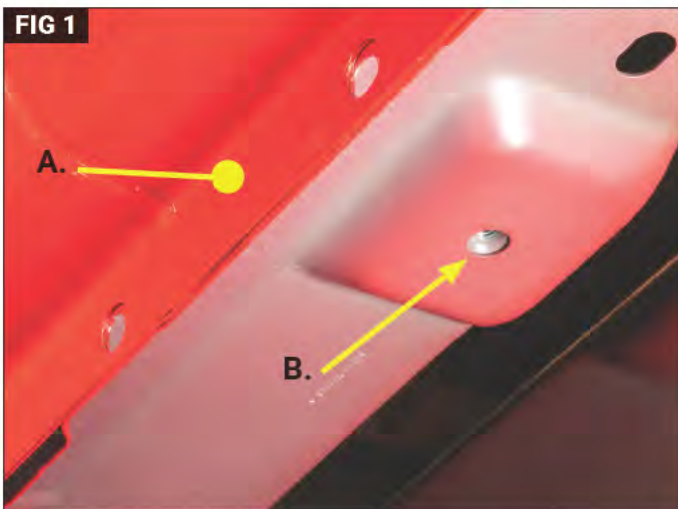


### NOTICE

EACH BRACKET IS SPECIFICALLY MATCHED TO A LOCATION. TAKE THE TIME TO VISUALLY MATCH THE CORRECT BRACKET WITH THE CORRESPONDING LOCATION ON THE VEHICLE. TAKE NOTE OF THE NOTCHES THAT ARE USED TO HELP IDENTIFY EACH BRACKET.

Tip: Lay out each of these brackets on the ground under the location of install. Pay very close attention to the details of each and have them ready for installation.

## STEP 1 - Installation of Brackets



Put on safety glasses. Start at the front of the vehicle and locate the pinch weld seam (A.) along the bottom, side of the vehicle. There are three (3) sets of two (2) holes on each side of the vehicle along that pinch weld. Behind each set of those holes is a vertical, threaded hole (B.). (Fig 1) We will refer to those sets as front, middle and rear. Take the corresponding bracket for that mounting section and place the flat, oval hole of the mounting surface to the vertical, threaded hole. Insert an M8 1.25 x 35mm bolt into an 8mm lock washer, through the 8mm flat washer, through the bracket and into the vertical, threaded hole. Hand tighten the bolt most of the way in. (Fig 2)

## STEP 2



Align the two holes of the bracket with the two holes along the pinch weld. Insert the M6 1.0 x 25mm bolt through 6mm flat washer and through the pinch weld and bracket from the outside. On the backside, place a 6mm flat washer, 6mm lock washer and 6mm nut onto both bolts and hand tighten. (Fig 3)

### STEP 3

FIG 4



FIG 5



Use two 10mm wrenches or a 10mm socket and 10mm wrench to securely tighten the bolts on the pinch weld. (Fig 4) Use a 13mm socket and fully tighten M8 bolt to the body. (Fig 5) Repeat Steps 1-3 for all of the brackets along both sides of the vehicle.

### STEP 4 - Step Platform Installation (Passenger Side Shown)

FIG 6



FIG 7



Locate the three (3) supportive brackets on each side. (Fig 6) Carefully place the Step Platform on the brackets as shown. This may be easier with a helper. (Fig 7)

**Tip:** The platforms are interchangeable and forward direction does not matter.

## STEP 5



Locate the preassembled bracket attachment track channels on the underside of platform. (Fig 8) This will be used to secure the platform to the bracket using the 2 bolt anchor plates. While holding one of the anchor plate bolts insert anchor plate under the lip of the channel. (Fig 9)

## STEP 6



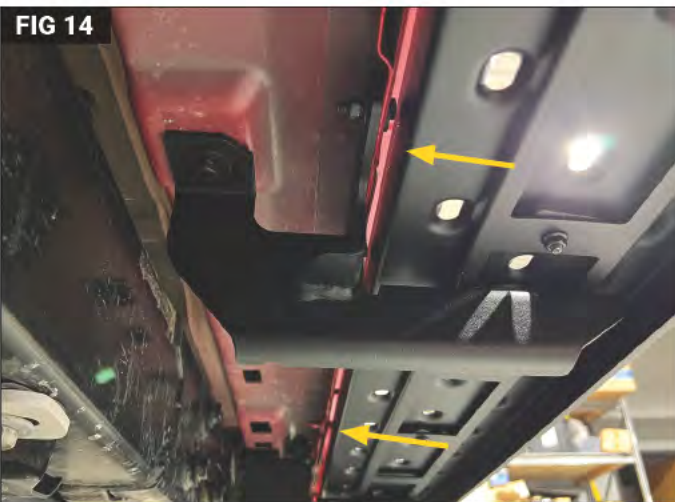
Turn the anchor plate so that the other side will fit under the lip of the opposite side of the attachment track. Rotate the anchor plate so that both sides are now under the lips of the track in a 90-degree angle to the platform. (Fig 10) Slide the anchor plate close to the mounted bracket to prepare for the next step. (Fig 11) Repeat for two remaining anchor plates on this side.

## STEP 7



Raise the step platform to align the bolts of the anchor plates into the two (2) slots on the brackets that were attached in earlier steps. Slide the anchor plates as needed for proper alignment. (Fig 12 & 13)

## STEP 8



The platform can easily move and adjust for the best placement on the brackets at this point. It is recommended to leave  $7/8$ " between the pinch weld and platform to eliminate any chance of rubbing and paint damage. (Fig 14) Slide the platform to center the step under the doors of the vehicle. Align and leave approximately  $3 \frac{3}{4}$ " from the front edge of the pinch weld in the front tire well as a good starting point for centering step. (Fig 15)



## STEP 9



Locate the anchor bolts for each bracket. (Fig 16) Place a 6mm flat washer and 6mm nylock nut on each bolt. (Fig 17)

## STEP 10



Using a 10mm socket, tighten each nylock nut for the anchor bolts. Do not fully tighten at this time. Before fully securing the nuts, check that the platform is still positioned where originally placed. Once the platform is confirmed to be in the desired location, then fully tighten each bolt to secure the platform completely to the bracket. (Fig 18) Repeat Steps 4 through 10 for the other side of the vehicle.

# Carnivore Exclusive Three Year Limited Warranty

Your Carnivore branded accessories are covered by the following Limited Warranty provided exclusively by Carnivore, 1028 Saunders Lane, West Chester PA 19380.

This **Limited Warranty** is the only warranty made in connection with your purchase. Carnivore neither assumes nor authorizes any vendor, retailer or other person or entity to assume for it any other obligation or liability in connection with this product or Limited Warranty. This Limited Warranty does not apply and is not cumulative to any accessory or part distributed by Carnivore for which the Manufacturer provides a separate written warranty.

## **What is Covered:**

Subject to the terms, exclusions and limitations herein and with respect only to Carnivore branded accessories first sold in the United States, Carnivore warrants to the initial retail purchaser only that your Carnivore accessory shall be free of defects in material and workmanship: for a period of three (3) years from date of retail purchase.

This **Limited Warranty** is not assignable and shall terminate upon sale of the vehicle upon which the Carnivore accessory is installed or other transfer to third persons.

All other warranties are hereby disclaimed, except to the extent prohibited by applicable law in which case any implied warranty of merchantability or fitness for a particular purpose on this product is limited to 3 years from date of initial retail sale. Carnivore reserves the rights to: **(a.) require invoice or other proof your accessory is within the terms of this Limited Warranty as a condition of warranty service and, (b.) make future revisions to this product and Limited Warranty without prior notice or obligation to upgrade your product.**

## **What is Not Covered:**

Your Carnivore Limited Warranty does not cover products or parts Carnivore determines to have been damaged by or subjected to: **(a.) installation damage, alteration, modification, combination with other parts, failure to maintain or improper repair or service, (b.) normal wear & tear, cosmetic damage or damage from moisture or water immersion, (c.) Acts of God, accidents, misuse, negligence, inadequate mounting or impact with vehicle(s), obstacles or other aspects of the environment, (d.) theft, vandalism or other intentional damage.**

## **Remedy Limited to Repair/Replacement:**

The exclusive remedy provided hereunder shall, upon Carnivore inspection and at option, be either repair or replacement of product or parts (new or refurbished) covered under this Limited Warranty. Customers requesting warranty consideration should first contact Carnivore to obtain a RGA number (610-701-3336). All labor, removal, shipping and installation costs are customer's responsibility.

## **Other Limitations - Exclusion of Damages - Your Rights Under State Law:**

In consideration of the purchase price paid, neither Carnivore nor any independent Carnivore distributor/licensee are responsible for any time loss, rental costs, or for any incidental, consequential, punitive or other damages you may have or incur in connection with any part or product purchased. Your exclusive remedy hereunder for covered parts is repair/replacement as described above.

This **Limited Warranty** gives you specific rights. You may also have other rights that vary from state to state. For example, some states do not allow limitations of how long an implied warranty lasts and /or do not allow the exclusion or limitation of incidental or consequential damages, so the limitations and exclusions herein may not apply to you.

Carnivore 2022. All Rights Reserved.  
A4 Version 5/26/2022

**Instructions Part #12999-3256**

