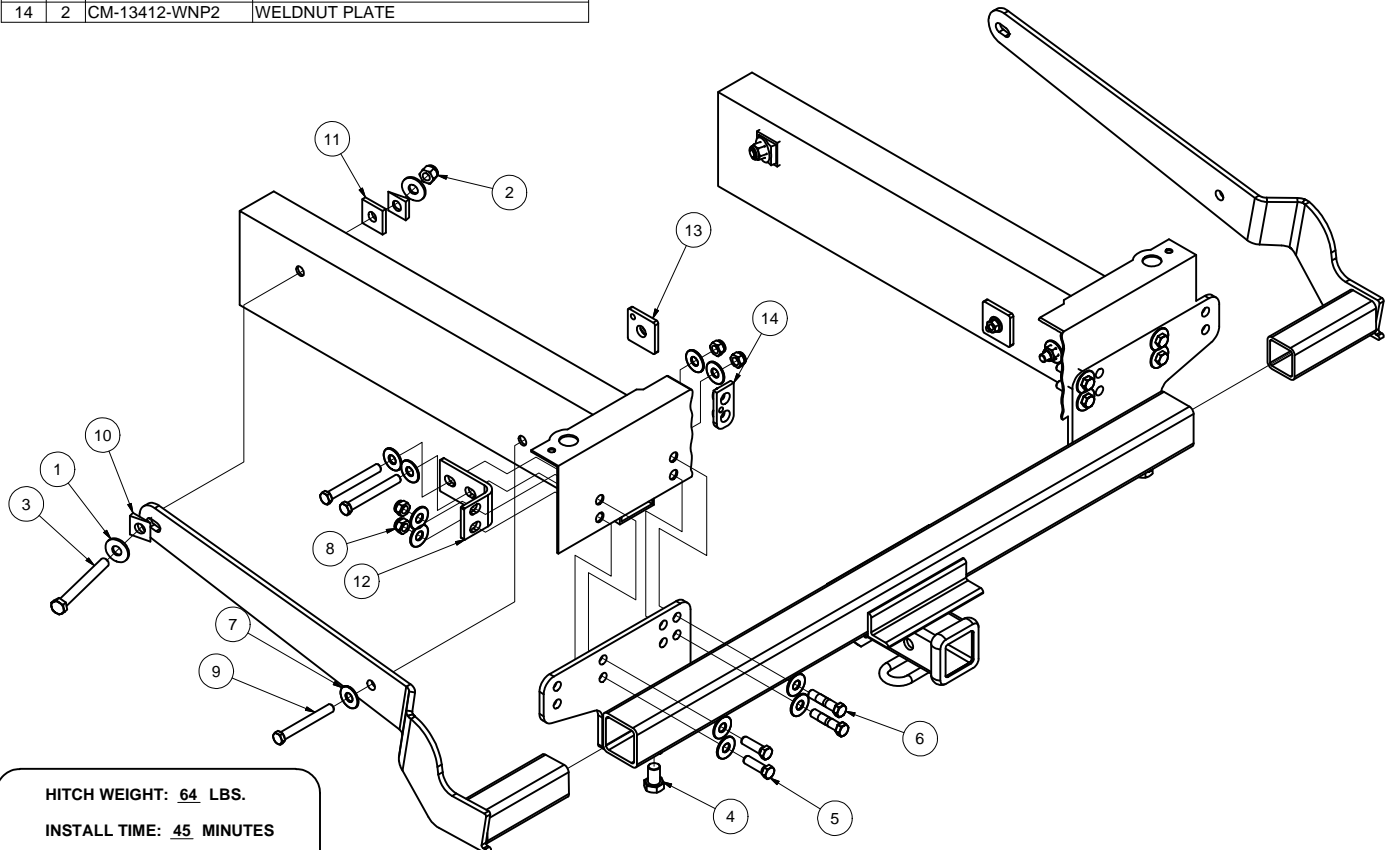


13412**1978-1996 JEEP CJ5 & CJ7****9/28/2015**

GROSS LOAD CAPACITY WHEN USED AS A WEIGHT CARRYING HITCH: 4,000 LBS. TRAILER WEIGHT & 400 LBS. TONGUE WEIGHT.
 DO NOT EXCEED VEHICLE MANUFACTURER'S RECOMMENDED TOWING CAPACITY.

		Parts List	
ITEM	QTY	PART NUMBER	DESCRIPTION
1	4	FW12	FW, 12, ZP
2	2	1_2 - 13	NYLOCK HEX NUT
3	2	1_2 - 13 x 4 1_2 HEX	HEX BOLT
4	2	5/8-11 x 1"	HEX BOLT
5	8	7/16-14 x 1 1/2	HEX BOLT
6	4	7/16-14 x 2.00"	HEX BOLT
7	22	7/16 WASHER	WASHER
8	8	7_16 - 14	NYLOCK HEX NUT
9	6	7_16 - 14 x 3 3_4	HEX BOLT
10	4	CM-SP38	1/2" WEDGE SPACER
11	2	CM-SP22	.250 x 1.50 x 1.50" ROUND HOLE SPACER
12	2	CM-13412-SB	.250" SUPPORT BRACKET
13	2	CM-13412-WNP1	WELD NUT PLATE
14	2	CM-13412-WNP2	WELDNUT PLATE



HITCH WEIGHT: 64 LBS.

INSTALL TIME: 45 MINUTES

INSTALL NOTES:

DRILLING REQUIRED

INSTALLATION STEPS

- 1) Raise hitch into position against rear crossmember on your vehicle. Start a 7/16 x 1 1/2" bolt and part # CM-13412-WNP2 to inside holes each side of center section of hitch. **(Note: Use 7/16 x 2" bolt when using special aftermarket bumper.)**
- 2) Slide driver and passenger side arms into the hitch body and proceed to install hardware as shown.
- 3) A 1/2" hole will need to be drilled in the frame on each side to accommodate the 7/16 x 3 3/4" bolt and the part # CM-13412-WNP1. Use the hole in the side arm as a template.
- 4) Torque 7/16" fasteners to 70 lb.-ft. Torque 1/2" fasteners to 110 lb.-ft. Torque 5/8" fasteners to 100 lb.-ft.

PERIODICALLY CHECK THIS RECEIVER HITCH TO ENSURE THAT ALL FASTENERS ARE TIGHT AND THAT ALL STRUCTURAL COMPONENTS ARE SOUND.

Curt Manufacturing Inc., warrants this product to be free of defects in material and/or workmanship at the time of retail purchase by the original purchaser. If the product is found to be defective, Curt Manufacturing Inc., may repair or replace the product, at their option, when the product is returned, prepaid, with proof of purchase. Alteration to, misuse of, or improper installation of this product voids the warranty. Curt Manufacturing Inc.'s liability is limited to repair or replacement of products found to be defective, and specifically excludes liability for incidental or consequential loss or damage.