

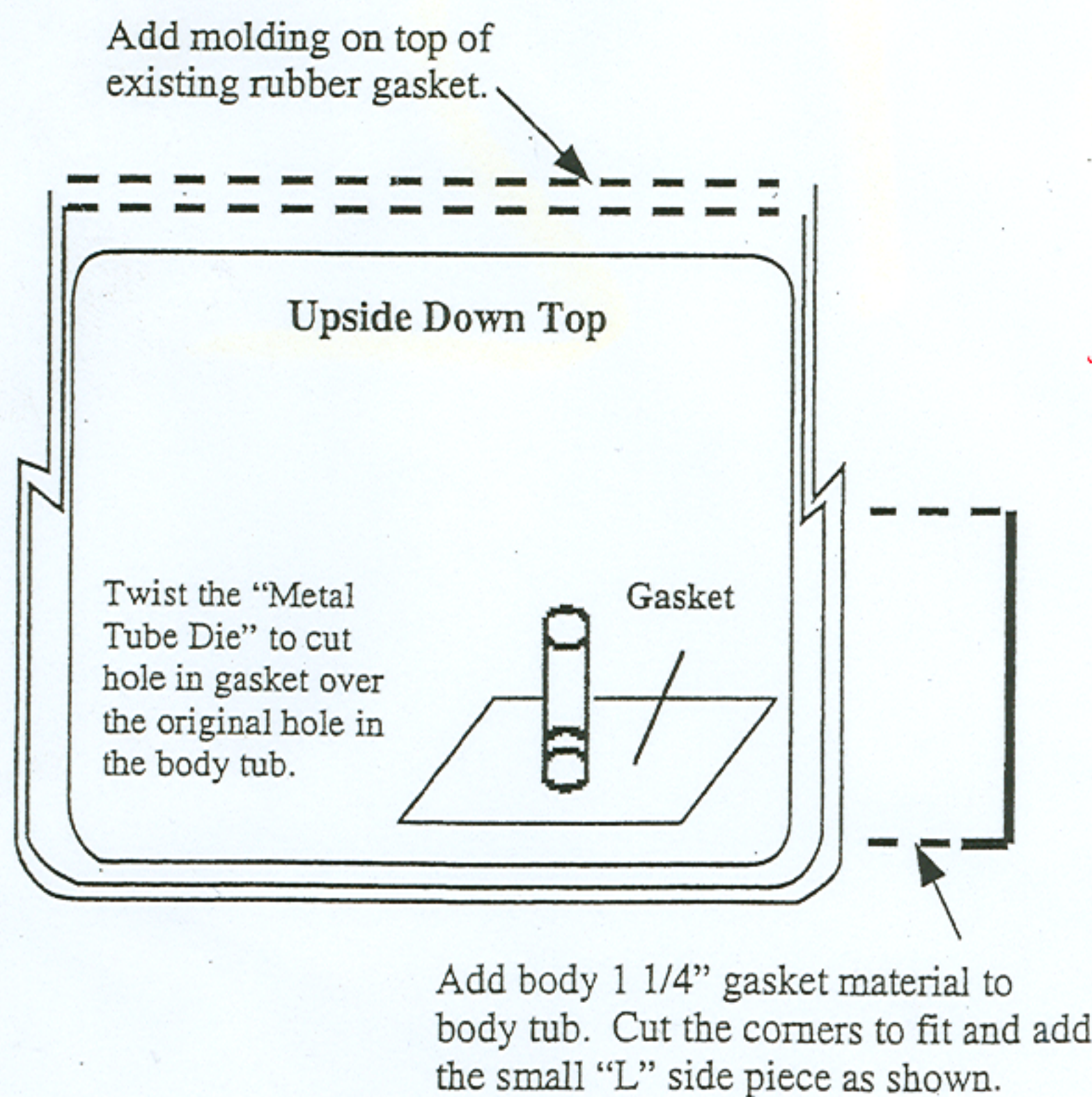
**CONTENTS:** Two of special 1 1/4" wide closed cell rubber w/automotive grade tape, strip of 3/4" wide extruded gasket material, and steel die for cutting holes.

Use this kit to repair or replace the seals around your top. It contains sufficient material to reseal one top around the back edges and across the windshield.

## Kit Instructions

1. Remove top from vehicle and place upside down on a padded surface.
2. Use the 1 1/4" wide strip of closed cell tape as a replacement for the seal around the back edges of the top. First, remove the old rubber and clean carefully with solvent (isopropyl alcohol is best). Wipe dry with a clean cloth. **Surface must be clean, dry, and oil free for good tape adhesion to occur.** Take seal in hand and begin peeling the release liner about two feet at a time. Firmly press the adhesive side of the seal down to insure good adhesion. **Do not stretch the seal!** Angle the gasket into the corner with the extra width so that the paint on the body is better protected.  
*Note: Adhesive strength increases through time. Final bond strength is obtained after one week of curing.*
3. Die cut holes for hardware using the steel die after installing the molding.
4. Use the "D" shaped gasket material across the windshield portion of the top. Place this new gasket over the existing gasket. **Do not remove the existing gasket!** Clean the old gasket as before with solvent.

On Hard Top, add the strip to the underside of the top front lip-right up to the front edge.



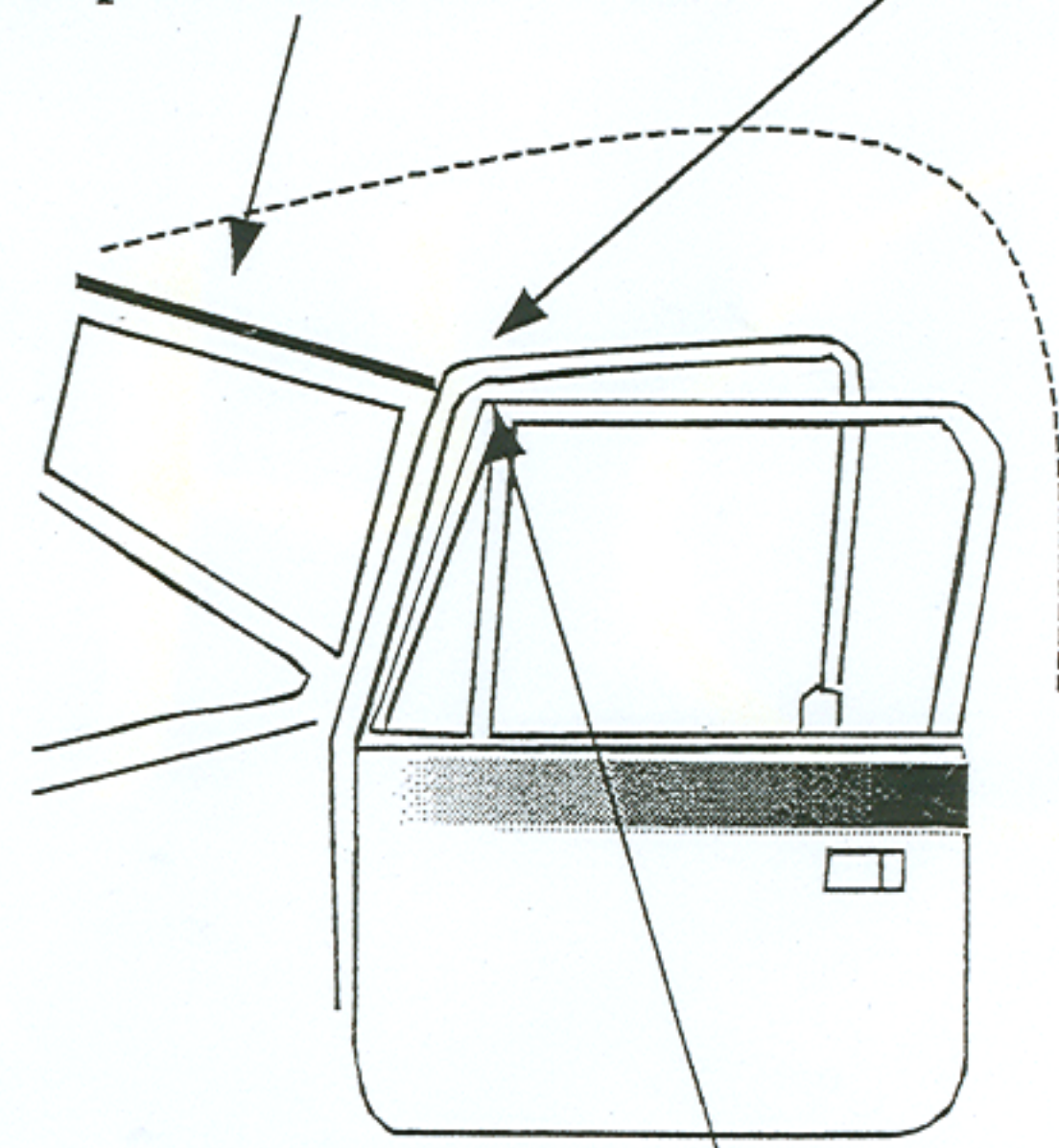
5. Several inches of the 3/4" gasket should be left. Use this to place extra material at the edges of the top for additional sealing or at the corners of the windshield as required. Use silicone caulk to fill in missing areas or gaps in the old gasket. Let dry before installing new gasket or installing top on the JEEP™

### HELPFUL NOTES:

- On Wrangler YJ units, make sure the small rubber corner finger (the small rubber molding at the upper corner of the door/windshield) is not folded under when you install your top. Installing this molding improperly causes wind noise.
- As door hinges wear, it tends to create a gap in the door seal at this point (upper corner of top/windshield). This can also cause wind noise and you may still think it's the top seal. You may need to shim or realign your doors to help this problem. See diagram below.

Check the top gasket's fit in this corner in CJ and YJ models. Make sure it's not bunched and in good condition. If not, add some extra left over 3/4" gasket material to the corners or use silicone caulk to reform a new gasket, then add the Seal Kit seal.

Hardtop to windshield frame seal.



After a period of time, the door hinges wear and allows air to leak in through the door. Realign the door latch or bend the top window frame in towards the top for a better seal. Doors can leak and sound like the windshield.