

# CFE PRODUCTS

MODELS : DKSD2 , B & W

DKSD2, 11B & 11W

SONY AV RADIO INSTALL KIT

with or without STEERING WHEEL CONTROL

2007 to 2018 JK

## PARTS INCLUDED

- DKSD2 - PLUG & PLAY HARNESS
- DOUBLE DIN DASH ADAPTER (95-6511)
- ANTENNA ADAPTER



### Radio Prep

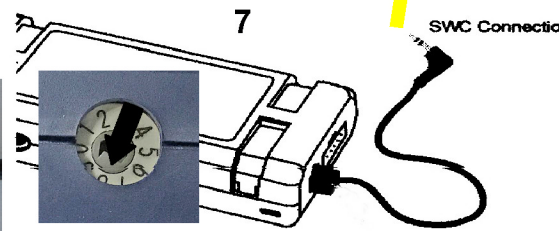
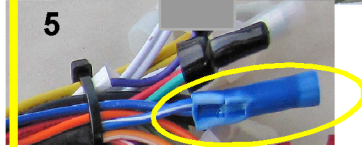
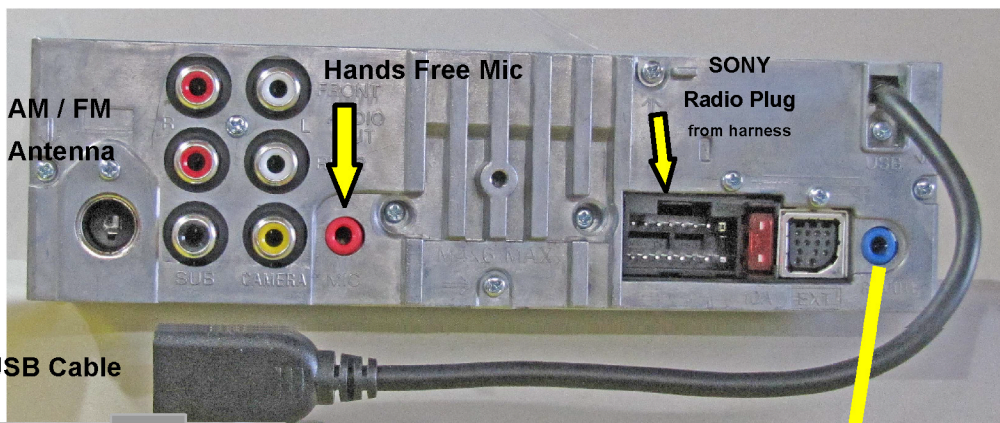
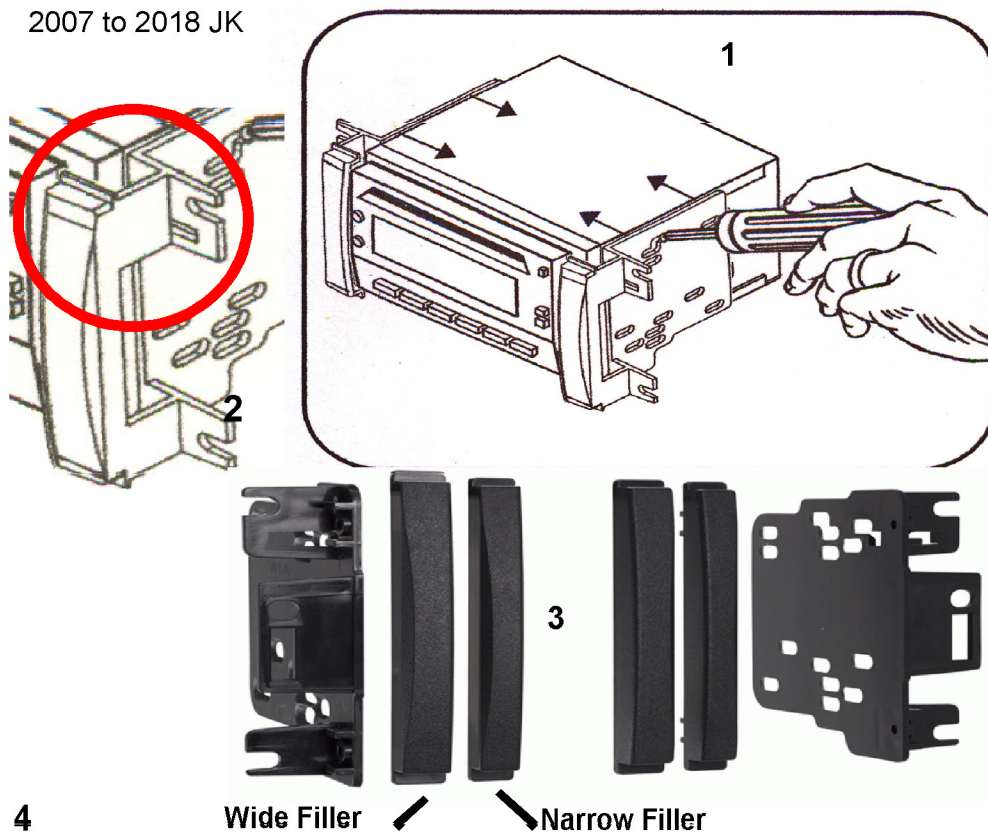
**Special Note** - While this installation kit is mostly plug & play, we strongly advise that you thoroughly read the instructions that came with your new radio before proceeding.

There are some wires that do not connect at this time, but may be used in the future.

1. Install the Dash Adapters to Radio. Take note that the Dash Kit comes with NARROW and WIDE Filler Strips. You will be using the NARROW Filler Strips. (Refer to dash adapter instructions if needed. These instructions are for the SONY AV radio's. The kit will work for other models but they may use the (WIDE Filler Strips).
2. Attach the Double DIN Brackets to the side of the Radio using the Screws supplied with the Radio as shown in picture #1. The Brackets are Labeled Left Side and Right Side. When installed correctly, the Tab with the Extra Slot will be at the Top of the Radio as shown in Picture #2. If you have installed the correct Filler Strips, the Dash Adapters will mount Flush with the side of the Radio. Adjust the Brackets so that they are Flush with the Front and tighten Screws.
3. Install the Hands Free Microphone included with the Radio. Plug the Mic in to the back of the radio as shown in Picture # 4. A good location for the Mic is on top of the Steering Column Bezel. Run the wires behind the dash to the Radio opening.
4. Attach the Antenna Adapter to the Antenna Cable in the Jeep as shown in picture #6. Do not attach the other end to the Radio yet...that will be done when you are ready to mount the Radio into the Dash.
5. Attach the small Black end of the Plug & Play Harness to the New Radio as shown by Yellow Arrow. Plug the Large Gray End to the Jeep Plug.
6. Plug the 3.5 mm SWC Connector [Steering Wheel Controls] into the back of the Radio as shown in picture #7. If your Jeep has Steering Wheel Controls, also verify that the Radio Select Switch is set on the "8" as shown in picture #7.
7. Picture #5 shows a Blue Connector which is the Remote Turn On Lead from the Radio. This connection will only be used if you decide to add an After Market Subwoofer.

(Blue Wire with White Stripe)

**NOTE: IF you have a stick shift, you must cut off the black crimp cap in the harness Pix # 5 and tape off the 2 wires. Call for help if you are hooking up a backup camera. Ask for BOB.**



\*\*Picture #8 shows the Aux Power Connection Available to Help the Installation of a Back Up Camera. The Recommended

### AUX POWER CONNECTION

- Red - 12 Volt Switched
- Yellow - Battery
- Black - Ground

example : Back Up Camera Power

SET RADIO SELECT SWITCH									
Sony	Advent, BOYO, Dual, Visteon, Sony	Blaupunkt	Clarion	JVC	Kenwood	OEM	Pioneer	Valor	
8	7	8	4	2	3	6	7	5	

ANY QUESTIONS OR COMMENTS CALL BOB 610-358-1886

CFE PRODUCTS 1485 WILMINGTON PIKE WEST CHESTER PA. 19382

