

↗ DOMETIC

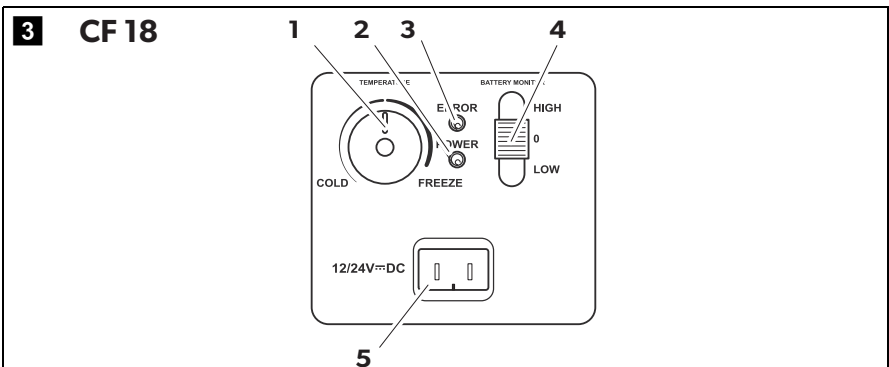
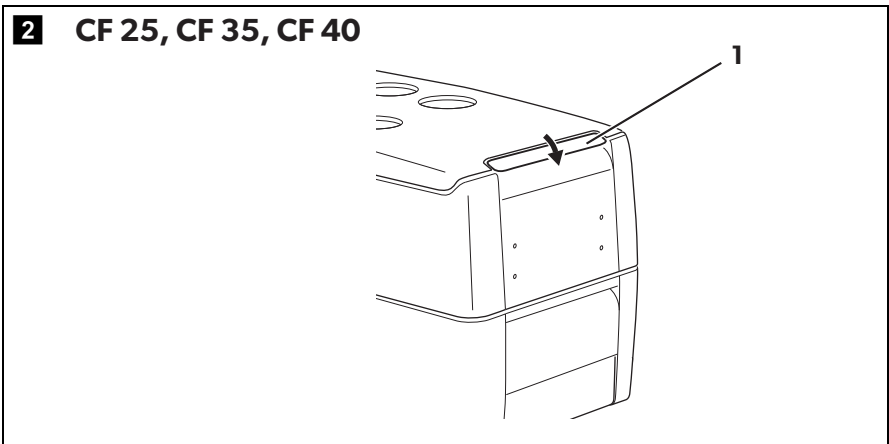
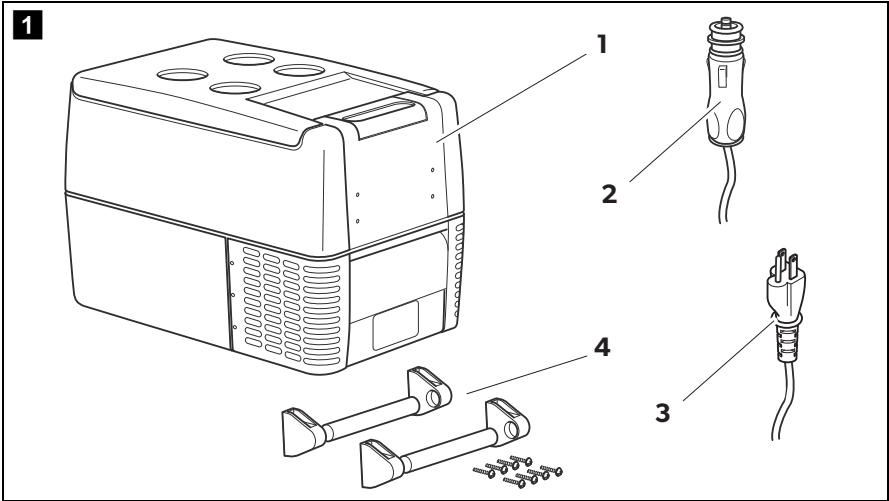
COOLING BOXES

COOLFREEZE

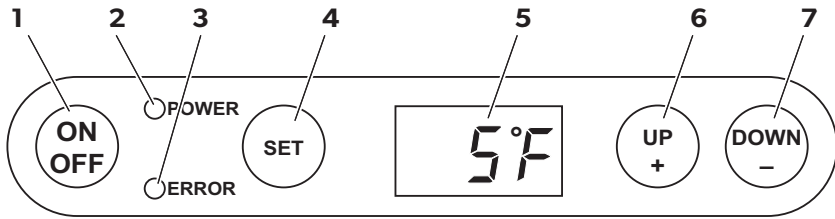


CF18, CF25, CF35, CF40, CF50

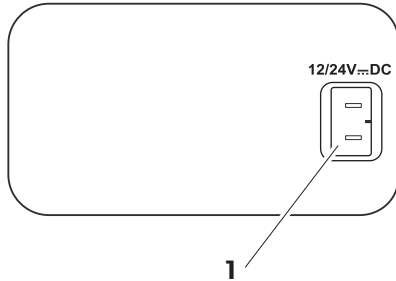
EN	Compressor Cooler Operating manual	6
FR	Glacière à compression Notice d'utilisation	30
ES	Nevera por compresor Instrucciones de uso	55
PT	Geleira com compressor Manual de instruções	79



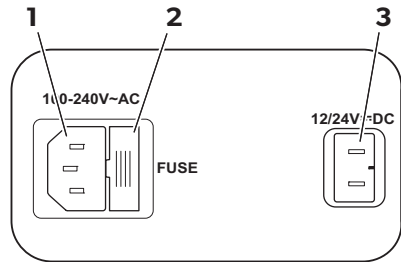
4 CF 25, CF 35, CF 40, CF 50



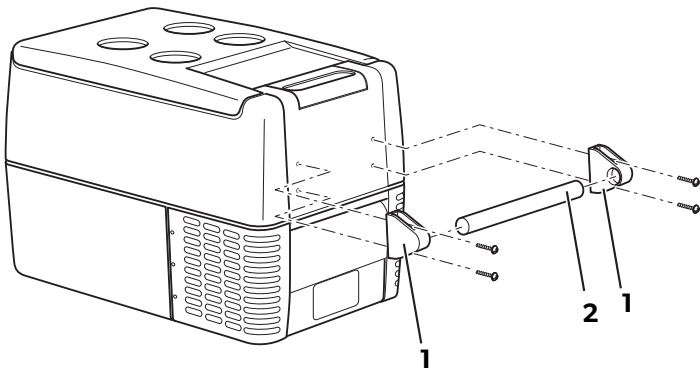
5 CF 25

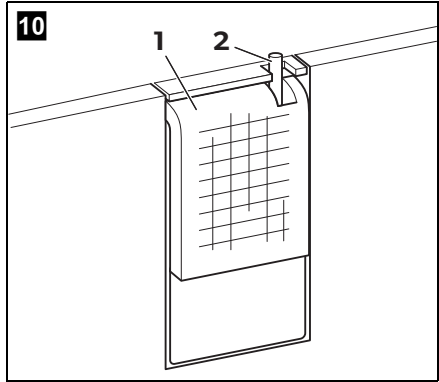
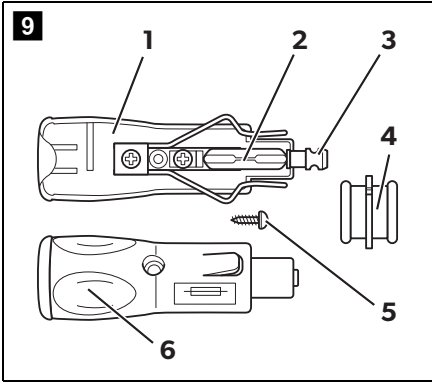
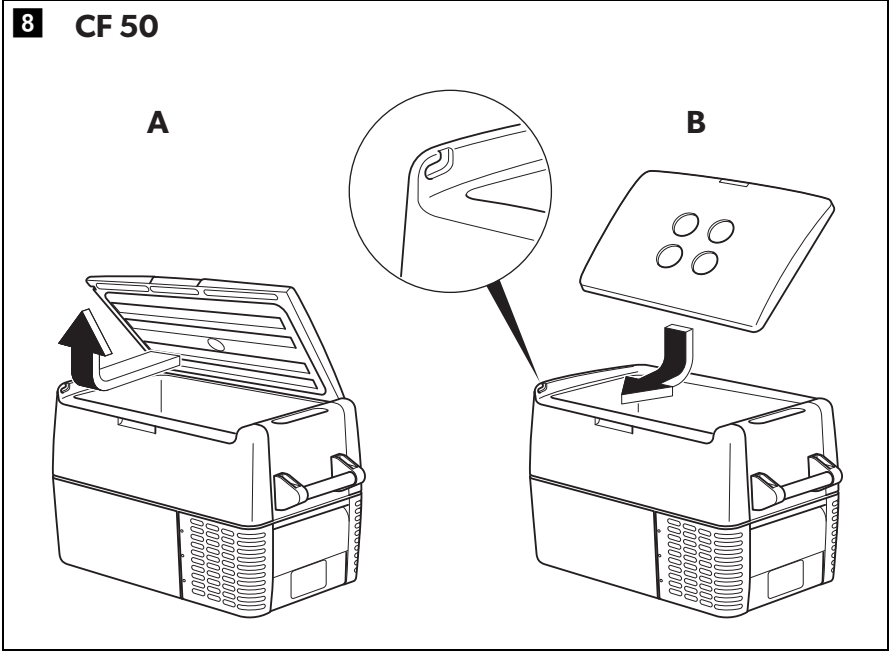


6 CF 35, CF 40, CF 50



7 CF 35, CF 40, CF 50





Please read this operating manual carefully before starting the device. Keep it in a safe place for future reference. If the device is passed on to another person, this operating manual must be handed over to the user along with it.

The manufacturer cannot be held liable for damage resulting from **improper usage** or **incorrect operation**.

Contents

1	Explanation of symbols	7
2	Safety instructions	8
2.1	General safety	8
2.2	Operating the cooling device safely	9
3	Scope of delivery	10
4	Accessories	10
5	Intended use	11
6	Function description	11
6.1	Scope of functions	12
6.2	Operating and display elements	13
7	Operation	15
7.1	Before initial use	15
7.2	Energy saving tips	16
7.3	Connecting the cooler	16
7.4	Using the battery monitor	18
7.5	Using the cooler	20
7.6	Setting the temperature	21
7.7	Switching off the cooler	22
7.8	Defrosting the cooler	22
7.9	Replacing the AC fuse (CF35, CF40, CF50)	22
7.10	Replacing the DC plug fuse	23
7.11	Replacing the light bulb (CF25, CF35, CF40, CF50)	23
8	Cleaning and maintenance	24
9	Guarantee	24

10	Troubleshooting	25
11	Disposal	26
12	Technical data	27

1 Explanation of symbols



DANGER!

Safety instruction: Failure to observe this instruction will cause fatal or serious injury.



WARNING!

Safety instruction: Failure to observe this instruction can cause fatal or serious injury.



CAUTION!

Safety instruction: Failure to observe this instruction can lead to injury.



NOTICE!

Failure to observe this instruction can cause material damage and impair the function of the product.



NOTE

Supplementary information for operating the product.

2 Safety instructions

2.1 General safety



WARNING!

- Do not operate the cooling device if it is visibly damaged.
- If this cooling device's power cable is damaged, it must be replaced by the manufacturer, customer service or a similarly qualified person in order to prevent safety hazards.
- This cooling device may only be repaired by qualified personnel. Improper repairs can lead to considerable hazards.
- This cooling device can be used by children aged 8 years or over, as well as by persons with diminished physical, sensory or mental capacities or a lack of experience and/or knowledge, providing they are supervised or have been taught how to use the cooling device safely and are aware of the resulting risks.
- Cleaning and user maintenance must not be carried out by children without supervision.
- Children must not play with the cooling device.
- Children must be supervised to ensure that they do not play with the cooling device.
- Always keep and use the cooling device out of the reach of children under the age of 8 years.
- Do not store any explosive substances such as spray cans with a flammable propellant in the cooling device.



CAUTION!

- Disconnect the cooling device from the power supply
 - before each cleaning and maintenance
 - after every use
- Food may only be stored in its original packaging or in suitable containers.



NOTICE!

- Check that the voltage specification on the type plate corresponds to that of the energy supply.
- Only connect the cooling device as follows:
 - With the DC cable to a DC outlet in the vehicle
 - Or with the AC connection cable to the AC power supply

- Never pull the plug out of the socket by the cable.
- If the cooling device is connected to the DC outlet: Disconnect the cooling device and other power consuming devices from the battery before connecting a quick charging device.
- If the cooling device is connected to the DC outlet: Disconnect the cooling device or switch it off when you turn off the engine. Otherwise you may discharge the battery.
- The cooling device is not suitable for transporting caustic materials or materials containing solvents.
- The insulation of the cooling device contains flammable cyclopentane and requires special disposal procedures. Deliver the cooling device at the end of its life-cycle to an appropriate recycling.

2.2 Operating the cooling device safely



CAUTION!

- Before starting the cooling device, ensure that the power supply line and the plug are dry.



NOTICE!

- Do not use electrical devices inside the cooling device unless they are recommended by the manufacturer for the purpose.
- Do not place the cooling device near open flames or other heat sources (heaters, direct sunlight, gas ovens etc.).
- **Danger of overheating!**
Ensure at all times that there is a minimum of 50 mm (2") ventilation on all four sides of the cooling device. Keep the ventilation area free of any objects that could restrict the air flow to the cooling components. Do not place the cooling device in closed compartments or areas with none or minimal air flow.
- Ensure that the ventilation openings are not covered.
- Do not fill the inner container with ice or liquids.
- Never immerse the cooling device in water.
- Protect the cooling device and the cable against heat and moisture.

3 Scope of delivery

No. in fig. 1, page 3	Quantity	Description
1	1	Cooler
2	1	Connection cable for DC connection
3	1	Only CF35, CF40, CF50 Connection cable for AC connection
4	2	Only CF35, CF40, CF50 Carrying handle, consisting of: <ul style="list-style-type: none"> - 2 holders - 1 handle - 4 fastening screws
-	1	Operating manual

4 Accessories

Available as accessories (not included in the scope of delivery):

Description	Ref. no.
Insulated cover bag for CF18	9600003792
Insulated cover bag for CF25	9600003793
Insulated cover bag for CF35	9600003794
Insulated cover bag for CF40	9600003795
Insulated cover bag for CF50	9600003796

If you have questions regarding the accessories, contact your local service partner.

5 Intended use

The cooler is suitable for cooling and freezing foods.

The cooler is designed to be operated from:

- a DC on-board power supply of a vehicle, boat or caravan
- a DC auxiliary battery
- an AC power supply (CF35, CF40, CF50)

For operating CF 18, CF25 at 120 V~ you need an AC/DC power supply rectifier (accessory).



CAUTION! Health hazard!

Please check if the cooling capacity of the device is suitable for storing the food or medicine you wish to cool.

6 Function description

The cooler can refrigerate or freeze food products. A fast-acting and efficient cooling system provides maintenance-free cooling performance with a compressor and control module.

The cooler is designed for mobile use and can be carried by using a folding carrying bracket (CF18), two recessed grips (CF25) or two removable carrying handles (CF35, CF40, CF50).

The cooler can withstand a short-term inclination of 30°, for example on boats.

6.1 Scope of functions

	CF18	CF25	CF35, CF40, CF50
Power supply with priority circuit for connecting to the power supply	–	–	●
Battery monitor to protect the vehicle battery	2-level	3-level	
Turbo mode for rapid cooling	–	●	●
Display with temperature gauge (switches off automatically at low battery voltage)	–	●	●
Temperature setting	rotary-knob	two buttons in steps of 1 °C (2 °F)	
Removable carrying handles	–	–	●

6.2 Operating and display elements

CF25, CF35, CF40

Lock for lid (fig. **2** 1, page 3)

CF18

Operating panel and DC power supply inlet (fig. **3**, page 3)

Item	Description	Explanation
1	TEMPERATURE	Temperature controller, cooling temperature at the end positions: COLD: +10 °C (+50 °F) FREEZE: -18 °C (0 °F)
2	POWER	Status indication LED lights up green: Device is switched on and ready for operation LED lights up yellow: Set temperature has been reached
3	ERROR	LED flashes red: Device is switched on but not ready for operation
4	BATTERY MONITOR	Switch-on device/battery monitor: 0: Device is switched off HIGH: Device is switched on, battery monitor is in HIGH mode LOW: Device is switched on, battery monitor is in LOW mode
5	12/24 V==	DC voltage supply inlet

CF25, CF35, CF40, CF50

Operating panel (fig. **4**, page 4)

Item	Description	Explanation
1	ON OFF	Switches the cooler on or off when the button is pressed for between one and two seconds
2	POWER	Status indication
	LED lights up green:	Compressor is on
	LED lights up orange:	Compressor is off
	LED flashes orange:	Display switched off automatically due to low battery voltage
3	ERROR	LED flashes red: Device is switched on but not ready for operation
4	SET	Selects the input mode – Temperature setting – Celsius or Fahrenheit display – Set battery monitor
5	–	Display, shows the information
6	UP +	Press once to increase the value
7	DOWN –	Press once to decrease the value

CF25

Connection sockets (fig. **5**, page 4)

Item	Description
1	DC voltage supply inlet

CF35, CF40, CF50

Connection sockets (fig. **6**, page 4)

Item	Description
1	AC voltage supply inlet
2	Fuse holder
3	DC voltage supply inlet

7 Operation

7.1 Before initial use



NOTE

Before starting your new cooler for the first time, you should clean it inside and outside with a damp cloth for hygienic reasons (please also refer to the chapter "Cleaning and maintenance" on page 24).

Mounting the handles (CF35, CF40, CF50)

The handles are enclosed unassembled. If you wish to attach the handles, proceed as follows:

- Make a handle by putting two holders (fig. **7** 1, page 4) and a handle (fig. **7** 2, page 4) together.
- Fasten the grip with the enclosed screws in the holes provided.

Turning the lid stop around (CF50)

You can turn the lid stop around if you want to open the lid from the other side. To do this, proceed as follows:

- Open the lid and pull it out (fig. **8** A, page 5).
- Turn the lid.
- Insert the lid in the lid holders on the side opposite the cooler (fig. **8** B, page 5).

Selecting the temperature units (CF25, CF35, CF40, CF50)

You can switch the temperature display between Celsius and Fahrenheit. This is how to do it:

- Switch on the cooler.
- Press the "SET" button (fig. **4** 4, page 4) twice.
- Use the "UP +" (fig. **4** 6, page 4) and "DOWN -" (fig. **4** 7, page 4) buttons to select Celsius or Fahrenheit.
- ✓ The selected temperature units then appear in the display for a few seconds. The display flashes several times before it returns to the current temperature.

7.2 Energy saving tips

- Choose a well ventilated installation location which is protected against direct sunlight.
- Allow warm food to cool down first before placing it in the cooling device to keep cool.
- Do not open the cooling device more often than necessary.
- Do not leave the cooling device open for longer than necessary.
- Defrost the cooling device once a layer of ice forms.
- Avoid unnecessary low temperatures.

7.3 Connecting the cooler

AC extension cord



WARNING!

Because of potential safety hazards under certain conditions, the manufacturer strongly recommends against the use of an extension cord. However, if you must use an extension cord, it is absolutely necessary that it be a UL-Listed (in the United States) or a CSA-Listed (in Canada) appliance extension cord, with 10 A (minimum), 120 V electrical ratings.



CAUTION!

- Under **no circumstances** should you attempt to splice extension cord wires.
- Do **not** use power strips or 2-way splitters.
- Always unroll or uncoil an extension cord to avoid heat retention and possible melting.

- Select a UL/CSA listed 120 V~ / ≥ 10 A outdoor use extension cord according to the following table:

	Maximum cord length			
120 V~	10 ft. (3 m)	25 ft. (7.6 m)	50 ft. (15.2 m)	100 ft. (30.5 m)
Wire conductors	3	3	3	3
AWG	14 (1.6 mm ²)	12 (2 mm ²)	12 (2 mm ²)	12 (2 mm ²)

DC extension cord



CAUTION!

- The manufacturer does **not** recommend using any type of DC extension cord.
- Under **no circumstances** should you attempt to splice extension cord wires.
- Do **not** use power strips or 2-way splitters.
- Always unroll or uncoil an extension cord to avoid heat retention and possible melting.

- Select a 12 V/24 V \equiv /≥ 10 A automotive use extension cord according to the following table:

	Maximum cord length			
12 V \equiv	3 ft. (0.9 m)	6 ft. (1.8 m)	10 ft. (3 m)	12 ft. (3.7 m)
24 V \equiv	6 ft. (1.8 m)	10 ft. (3 m)	15 ft. (4.6 m)	25 ft. (7.6 m)
AWG	14 (1.6 mm ²)	12 (2 mm ²)	10 (2.6 mm ²)	8 (3.3 mm ²)

Connecting to a battery (vehicle or boat)

The cooler can be operated with 12 V \equiv or 24 V \equiv .



NOTICE! Danger of damage!

Disconnect the cooler and other consumer units from the battery before you connect the battery to a quick charging device.
Overvoltage can damage the electronics of the device.

For safety reasons the cooler is equipped with an electronic system to prevent polarity reversal. This protects the cooler against short-circuiting when connecting to a battery.

Using the fused DC plug



NOTICE! Danger of damage!

For protection of the device the DC cable supplied includes a fuse inside the plug. Do **not** remove the fused DC plug.
Only use the DC cable supplied.

- ▶ Plug the DC connection cable (fig. **1** 2, page 3) into the DC power supply inlet of the cooler (fig. **5** 1, page 4/fig. **6** 3, page 4).
- ▶ Connect the connection cable to the DC power outlet.

Connecting to an AC power supply (e.g. in the home or office) (CF35, CF40, CF50)



DANGER! Danger of electrocution!

- Never handle plugs and switches with wet hands or if you are standing on a wet surface.
- If you are operating your cooler on board a boat from a power supply connection of 120 V~, you must install a residual current circuit breaker between the 120 V AC power supply and the cooler.
Seek advice from a trained technician.

The coolers have an integrated multi-voltage power supply with priority circuit for connecting to an AC voltage source. The priority circuit automatically switches the cooler to power supply operation, if the device is connected to an AC power supply, even if the DC connection cable is still attached.

When switching between the AC power supply and the battery supply, the red LED may light up briefly.

- ▶ Plug the AC connection cable (fig. **1** 3, page 3) into the AC power supply inlet of the cooler (fig. **6** 1, page 4).
- ▶ Connect the connection cable to the AC power outlet.

7.4 Using the battery monitor

The device is equipped with a multi-level battery monitor that protects your vehicle battery against excessive discharging when the device is connected to the on-board DC supply.

If the cooler is operated when the vehicle ignition is switched off, the cooler switches off automatically as soon as the supply voltage falls below a set level. The cooler will switch back on once the battery has been recharged to the restart voltage level.

**NOTICE! Danger of damage!**

When switched off by the battery monitor, the battery will no longer be fully charged. Avoid continuous starting and shutting off of the vehicles engine when using the cooler in an automotive environment. Allow the vehicle to recharge the battery before powering the cooler on.

In "HIGH" mode, the battery monitor responds faster than at the levels "LOW" and "MED" (see the following table).

Battery monitor mode	CF18		CF25, CF35, CF40, CF50		
	LOW	HIGH	LOW	MED	HIGH
Switch-off voltage at 12 V	10.4 V	11.5 V	10.1 V	11.4 V	11.8 V
Restart voltage at 12 V	11.5 V	12.5 V	11.1 V	12.2 V	12.6 V
Switch-off voltage at 24 V	22.1 V	24.0 V	21.5 V	24.1 V	24.6 V
Restart voltage at 24 V	23.6 V	25.4 V	23.0 V	25.3 V	26.2 V

Selecting the battery monitor mode (CF25, CF35, CF40, CF50)

- Switch on the cooler.
- Press the "SET" button (fig. **4** 4, page 4) three times.
- Use the "UP +" (fig. **4** 6, page 4) and "DOWN -" (fig. **4** 7, page 4) buttons to select the battery monitor mode.
- ✓ The selected mode then appears in the display for a few seconds. The display flashes several times before it returns to the current temperature.

**NOTE**

When the cooler is supplied by the starter battery, select the battery monitor mode "HIGH". If the cooler is connected to a supply battery, the battery monitor mode "LOW" will suffice.

If you wish to operate the cooler from the AC power supply, set the battery monitor to the "LOW" position.

7.5 Using the cooler



NOTICE! Danger of overheating!

Ensure at all times that there is sufficient ventilation so that the heat that generated during operation can dissipate. Ensure that the ventilation slots are not covered. The cooler **MUST** maintain a **MINIMUM** of 2 inches (51 mm) away from walls or similar surfaces which could restrict important air flow requirements of the cooling system.

- Place the cooler on a firm foundation.
Make sure that the ventilation slots are not covered and that the heated air can dissipate.



NOTE

Place the cooler as shown (fig. **1**, page 3). If you operate the box in a different position it can be damaged.

- Close the cooler, see chapter "Connecting the cooler" on page 16.



NOTE

If you wish to operate the cooler from the AC power supply, set the battery monitor to the "LOW" position.



NOTICE! Danger from excessively low temperature!

Ensure that the only those objects are placed in the cooler that are intended to be cooled at the selected temperature.

CF18

- Set the slide switch (fig. **3** 4, page 3) to "HIGH" when your providing power from your vehicle's DC power source.
- Set the slide switch (fig. **3** 4, page 3) to "LOW" when you providing power from an external DC power supply source.
- ✓ The "POWER" LED is lit green.
- ✓ The cooler starts cooling the interior.
- ✓ When the cooling temperature has been reached, the "POWER" LED is yellow lit.

CF25, CF35, CF40, CF50

- Press the "ON/OFF" button (fig. **4** 1, page 4) for between one and two seconds.
- ✓ The "POWER" LED lights up.
- ✓ The display (fig. **4** 5, page 4) switches on and shows the current cooling temperature.

**NOTE**

The temperature displayed is that of the middle of the interior.
The temperatures elsewhere can deviate from this temperature.

- ✓ The cooler starts cooling the interior.

**NOTE**

When operating with the battery, the display switches off automatically if the battery voltage is low. The LED "POWER" flashes orange.

Locking the cooler (CF35, CF40)

- Close the lid.
- Press the lock (fig. **2** 1, page 3) down, until it latches in place audibly.

7.6 Setting the temperature**CF18**

- Set the cooling temperature with the temperature controller (fig. **3** 1, page 3).

CF25, CF35, CF40, CF50

- Press the "SET" button (fig. **4** 4, page 4) once.
- Use the "UP +" (fig. **4** 6, page 4) and "DOWN -" (fig. **4** 7, page 4) buttons to select the cooling temperature.
- ✓ The cooling temperature appears in the display for a few seconds. The display flashes several times and then the current temperature is displayed again.

7.7 Switching off the cooler

- Empty the cooler.
- Switch the cooler off.
- Pull out the connection cable.

If you do not want to use the cooler for a longer period of time:

- Leave the cover slightly open. This prevents odor build-up.

7.8 Defrosting the cooler

Humidity can form frost in the interior of the cooling device or on the vaporizer. This reduces the cooling capacity. Defrost the device in good time to avoid this.



NOTICE! Danger of damage!

Never use hard or pointed tools to remove ice or to loosen objects which have frozen in place.

To defrost the cooler, proceed as follows:

- Take out the contents of the cooler
- If necessary, place them in another cooling device to keep them cool.
- Switch off the device.
- Leave the cover open.
- Wipe off the defrosted water.

7.9 Replacing the AC fuse (CF35, CF40, CF50)



DANGER! Danger of electrocution!

Disconnect the connection cable before you replace the device fuse.

- Pull off the connection cable.
- Pry out the fuse insert (fig. **6** 2, page 4) with a screwdriver.
- Replace the defective fuse with a new one that has the same rating (T4AL 250 V).
- Press the fuse insert back into the housing.

7.10 Replacing the DC plug fuse

- Pull the adapter sleeve (fig. **9** 4, page 5) off of the plug.
- Unscrew the screw (fig. **9** 5, page 5) out of the upper half of the housing (fig. **9** 1, page 5).
- Carefully raise the upper half of the housing from the lower (fig. **9** 6, page 5) half.
- Take out the contact pin (fig. **9** 3, page 5).
- Replace the defective fuse (fig. **9** 2, page 5) with a new fuse of the same type and rating (3AG, Fast Acting, 10 A).
- Re-assemble the plug in the reverse order.

7.11 Replacing the light bulb (CF25, CF35, CF40, CF50)

- Press the switch pin (fig. **10** 2, page 5) downwards so that the transparent part (fig. **10** 1, page 5) of the lamp can be removed at the front.
- Replace the light bulb.



NOTE

The LEDs in the light bulb must be aligned with the transparent part of the lamp.

- Press the transparent part of the lamp back into the housing.

8 Cleaning and maintenance

**WARNING!**

Always disconnect the device from the power supply before you clean and service it.

**NOTICE! Risk of damage**

- Never clean the cooler under running water or in dish water.
- Do not use abrasive cleaning agents or hard objects during cleaning as these can damage the cooler.

- Occasionally clean the device interior and exterior with a damp cloth.
- Make sure that the air inlet and outlet vents on the device are free of any dust and dirt, so that heat can be released and the device is not damaged.

9 Guarantee

The statutory warranty period applies. If the product is defective, please contact the manufacturer's branch in your country (see the back of the instruction manual for the addresses) or your retailer.

For repair and guarantee processing, please include the following documents when you send in the device:

- A copy of the receipt with purchasing date
- A reason for the claim or description of the fault

10 Troubleshooting

Fault	Possible cause	Suggested remedy
Device does not function, LED does not glow.	No voltage was detected in the DC power outlet.	In most vehicles the ignition must be turned on before power will be supplied to the DC power outlet.
	No voltage present in the AC voltage outlet.	Try using another plug outlet.
	The device fuse is defective.	Replace the device fuse, see chapter "Replacing the AC fuse (CF 35, CF 40, CF 50)" on page 22.
	The integrated power supply adapter is defective.	This can only be repaired by an authorized repair center.
The device does not cool (plug is inserted, "POWER" LED is lit).	Defective compressor.	This can only be repaired by an authorized repair center.
The device does not cool (plug is inserted, "POWER" LED flashes orange, display is switched off).	Battery monitor is set too high.	Select a lower battery monitor setting.
	Battery voltage is too low.	Test the battery and charge it as needed.
When operating from the DC outlet: The ignition is on and the device is not working and the LED is not lit.	The DC outlet is dirty. This results in a poor electrical contact.	If the plug of your cooler becomes very warm in the DC outlet, either the DC outlet must be cleaned or the plug has not been assembled correctly.
	The fuse of the DC plug has blown.	Replace the fuse in the DC plug, see chapter "Replacing the DC plug fuse" on page 23.
	The vehicle fuse has blown.	Replace the vehicle's DC outlet fuse. Please refer to your vehicle's operating manual.

Fault	Possible cause	Suggested remedy
The display shows an error message (e.g. "Err1") and the appliance does not cool.	The appliance has switched off due to an internal fault.	This can only be repaired by an authorized repair center.
The interior light of a compartment flashes.	The lid of the compartment has been left open for more than three minutes.	Close the lid of the compartment.


11 Disposal


- Place the packaging material in the appropriate recycling waste bins wherever possible.




If you wish to finally dispose of the product, ask your local recycling centre or specialist dealer for details about how to do this in accordance with the applicable disposal regulations.

12 Technical data

	CF18	CF25
Connection voltage:	12/24 V $\overline{\text{=}}$	
Rated current		
– 12 V $\overline{\text{=}}$:	7.0 A	7.0 A
– 24 V $\overline{\text{=}}$:	3.0 A	3.0 A
– 120 V \sim :	–	–
Cooling capacity:	+10 °C to –18 °C (+50 °F to +0.4 °F)	
Usable capacity:	18 l (0.64 cu. ft.)	23 l (0.82 cu. ft.)
Climate class:	N, ST, T	
Ambient temperature:	18 °C to 43 °C (+50 °F to 109.4 °F)	
Noise emission:	–	
Refrigerant quantity:	38 g (1.34 oz.)	40 g (1.41 oz.)
CO ₂ equivalent:	0.054 t (119.05 lb.)	0.057 t (125.66 lb.)
Global warming potential (GWP):	1430	
Dimensions (W x H x D) in mm (in.):	300 x 414 x 465 (11.81 x 16.30 x 18.31)	260 x 425 x 550 (10.24 x 16.73 x 21.65)
Weight:	12 kg (26.46 lb.)	12.7 kg (28 lb.)
Test/certificates:		

	CF35	CF40
Connection voltage:	12/24 V \equiv and 120 V \sim	
Rated current		
– 12 V \equiv :	7.0 A	
– 24 V \equiv :	3.0 A	
– 120 V \sim :	1.4 A	
Cooling capacity:	+10 °C to –18 °C (+50 °F to +0.4 °F)	
Usable capacity:	31 l (1.1 cu. ft.)	36 l (1.3 cu. ft.)
Climate class:	N, ST, T	
Ambient temperature:	18 °C to 43 °C (+50 °F to 109.4 °F)	
Noise emission:	45 dB(A)	
Refrigerant quantity:	42 g (1.48 oz.)	
CO ₂ equivalent:	0.060 t (132.28 lb.)	
Global warming potential (GWP):	1430	
Dimensions (W x H x D) in mm (in.):	360 x 385 x 580 (14.17 x 15.16 x 22.83)	360 x 445 x 580 (14.17 x 17.52 x 22.83)
Weight:	15.5 kg (34.61 lb.)	17.2 kg (37.92 lb.)
Test/certificates:	 File No: SA12891	

	CF50
Connection voltage:	12/24 V \equiv and 120 V \sim
Rated current	
– 12 V \equiv :	7.0 A
– 24 V \equiv :	3.0 A
– 120 V \sim :	1.4 A
Cooling capacity:	+10 °C to –18 °C (+50 °F to +0.4 °F)
Usable capacity:	47 l (1.7 cu. ft.)
Climate class:	N, ST, T
Ambient temperature:	18 °C to 43 °C (+64.4 °F to 109.4 °F)
Noise emission:	45 dB(A)
Refrigerant quantity:	45 g (1.59 oz.)
CO ₂ equivalent:	0.064 t (141.1 lb.)
Global warming potential (GWP):	1430
Dimensions (W x H x D) in mm (in.):	360 x 480 x 630 (14.17 x 18.9 x 24.8)
Weight:	18 kg (39.68 lb.)
Test/certificates:	 File No: SA12891

**NOTE**

If the ambient temperature is above 32 °C (90 °F), the minimum temperature cannot be attained.

The refrigerant circuit contains R134a.

Contains fluorinated greenhouse gases

Hermetically sealed equipment

Veillez lire ce manuel avec attention avant de mettre l'appareil en service. Conservez ensuite ce manuel. En cas de passer de l'appareil, veuillez le transmettre au nouvel acquéreur.

Le fabricant décline toute responsabilité en cas de dommages provoqués par une **utilisation non-conforme de l'appareil** ou **par des erreurs de manipulation**.

Sommaire

1	Explication des symboles	31
2	Consignes de sécurité	31
2.1	Sécurité générale	31
2.2	Consignes de sécurité concernant le fonctionnement de l'appareil	33
3	Contenu de la livraison	34
4	Accessoires	34
5	Usage conforme	35
6	Description du fonctionnement	35
6.1	Étendue des fonctions	36
6.2	Éléments de commande et d'affichage	37
7	Utilisation	39
7.1	Avant la première utilisation	39
7.2	Conseils pour économiser de l'énergie	40
7.3	Raccordement de la glacière	40
7.4	Utilisation du protecteur de batterie	43
7.5	Utilisation de la glacière	44
7.6	Réglage de la température	46
7.7	Extinction de la glacière	46
7.8	Dégivrage de la glacière	47
7.9	Remplacer le fusible CA (CF 35, CF40, CF50)	47
7.10	Remplacement du fusible du connecteur (CC)	48
7.11	Remplacement de l'ampoule (CF 25, CF 35, CF40, CF50)	48
8	Nettoyage et entretien	49
9	Garantie	49

10	Guide de dépannage	50
11	Élimination des déchets	51
12	Caractéristiques techniques	52

1 Explication des symboles



DANGER !

Consigne de sécurité : le non-respect de ces consignes entraîne la mort ou de graves blessures.



AVERTISSEMENT !

Consigne de sécurité : le non-respect de ces consignes peut entraîner la mort ou de graves blessures.



ATTENTION !

Consigne de sécurité : le non-respect de ces consignes peut entraîner des blessures.



AVIS !

Le non-respect de ces consignes peut entraîner des dommages matériels et des dysfonctionnements du produit.



REMARQUE

Informations complémentaires sur l'utilisation du produit.

2 Consignes de sécurité

2.1 Sécurité générale



AVERTISSEMENT !

- Si l'appareil présente des dégâts visibles, vous ne devez pas le mettre en service.
- Si le câble de raccordement de l'appareil est endommagé, il doit être remplacé par le fabricant, son service après-vente ou une personne de qualification similaire, afin d'éviter tout danger.

- Seul un personnel qualifié est habilité à effectuer des réparations sur l'appareil. Toute réparation mal effectuée risque d'entraîner de graves dangers.
- Les enfants âgés de 8 ans et plus ainsi que les personnes ayant des déficiences physiques, sensorielles ou mentales ou un manque d'expérience ou de connaissances peuvent utiliser ce produit à condition d'être sous surveillance ou d'avoir reçu des instructions concernant l'utilisation de l'appareil en toute sécurité et de comprendre les dangers qui en résultent.
- Le nettoyage et la maintenance ne doivent pas être effectués par des enfants sans surveillance.
- Les enfants ne doivent pas jouer avec cet appareil.
- Les enfants doivent être surveillés pour s'assurer qu'ils ne jouent pas avec l'appareil.
- Placez et utilisez l'appareil hors de portée des enfants de moins de 8 ans.
- Ne stockez aucune substance explosive comme p. ex. des aérosols contenant des agents propulseurs dans l'appareil.

**ATTENTION !**

- Débranchez l'appareil du secteur
 - avant tout nettoyage et entretien
 - après chaque utilisation
- Les aliments ne peuvent être conservés que dans leurs emballages originaux ou dans des récipients appropriés.

**AVIS !**

- Comparez la tension indiquée sur la plaque signalétique avec l'alimentation électrique dont vous disposez.
- Branchez l'appareil uniquement comme indiqué ci-dessous :
 - avec le câble de raccordement CC sur une prise CC du véhicule
 - ou avec le câble de raccordement CA au secteur à courant alternatif
- Ne tirez jamais sur le câble de raccordement pour sortir la fiche de la prise.
- Si la glacière est raccordée à la prise CC : débranchez de la batterie la glacière et les autres consommateurs d'énergie avant de raccorder un chargeur rapide.

- Si la glacière est raccordée à la prise CC : débranchez ou éteignez la glacière lorsque vous éteignez le moteur. Dans le cas contraire, il se pourrait que la batterie se décharge.
- N'utilisez pas la glacière pour le transport de produits corrosifs ou de solvants.
- Cette glacière contient du cyclopentane inflammable dans son isolation. Les gaz contenus dans le matériau d'isolation exigent une procédure de retraitement particulière. Une fois que vous ne l'utilisez plus, recyclez l'appareil de manière conforme.

2.2 Consignes de sécurité concernant le fonctionnement de l'appareil



ATTENTION !

- Avant de mettre l'appareil en service, assurez-vous que la ligne d'alimentation électrique et la fiche sont sèches.



AVIS !

- N'utilisez aucun appareil électrique dans la glacière, sauf si ces appareils sont recommandés par le fabricant pour cet usage.
- Ne placez pas l'appareil près de flammes ou d'autres sources de chaleur (chauffage, rayons solaires, réchauds à gaz, etc.).
- **Danger de surchauffe !**
Veillez toujours à ce que la chaleur produite lors du fonctionnement soit suffisamment dissipée. Veillez à ce que l'appareil se trouve à une distance suffisante des murs ou des objets, de sorte que l'air puisse circuler.
- Assurez-vous que les fentes d'aération ne sont pas recouvertes.
- Ne pas remplir le bac intérieur de substances liquides ou de glace.
- Ne plongez jamais l'appareil dans l'eau.
- Tenez l'appareil et les câbles à l'abri de la chaleur et de l'humidité.

3 Contenu de la livraison

Pos. dans fig. 1, page 3	Quantité	Description
1	1	Glacière
2	1	Câble de raccordement pour raccordement CC
3	1	Uniquement CF35, CF40, CF50 Douille de raccordement pour prise CA
4	2	Uniquement CF35, CF40, CF50 Poignée de transport, composée de : – 2 supports – 1 poignée – 4 vis de fixation
–	1	Notice d'utilisation

4 Accessoires

Disponibles en accessoires (non compris dans la livraison) :

Description	No de réf.
Sac de protection isolé pour CF18	9600003792
Sac de protection isolé pour CF25	9600003793
Sac de protection isolé pour CF35	9600003794
Sac de protection isolé pour CF40	9600003795
Sac de protection isolé pour CF50	9600003796

En cas de questions concernant les accessoires, veuillez vous adresser à votre partenaire de service après-vente.

5 Usage conforme

La glacière est conçue pour la réfrigération et la congélation d'aliments.

La glacière est conçue pour fonctionner sur :

- un réseau continu d'un véhicule, d'un bateau ou d'un camping car
- une batterie d'alimentation en courant continu
- un réseau alternatif (CF35, CF40, CF50)

Pour le fonctionnement des appareils CF 18, CF25 à 120 V~, vous avez besoin d'un redresseur de courant CA/CC (accessoire).



ATTENTION ! Risque pour la santé

Veillez vérifier si la puissance frigorifique de l'appareil correspond à la température de conservation recommandée pour les aliments ou les médicaments que vous souhaitez conserver au frais.

6 Description du fonctionnement

La glacière peut réfrigérer ou congeler des produits alimentaires. Un système de refroidissement à action rapide et efficace offre une performance de refroidissement sans entretien avec un compresseur et un module de commande.

La glacière est conçue pour une utilisation mobile et peut être transportée en utilisant un support de transport pliant (CF18), deux poignées encastées (CF25) ou deux poignées de amovibles (CF35, CF40, CF50).

La glacière peut supporter un angle de gîte de 30° pendant une courte durée, par exemple lorsqu'elle est utilisée sur un bateau.

6.1 Étendue des fonctions

	CF18	CF25	CF35, CF40, CF50
Bloc d'alimentation avec raccordement prioritaire pour raccordement sur une alimentation électrique	-	-	●
Protecteur de batterie pour protéger la batterie du véhicule	2 niveaux	3 niveaux	
Mode Turbo pour un refroidissement rapide	-	●	●
Affichage avec indicateur de température (s'éteint automatiquement si la tension de la batterie est faible)	-	●	●
Réglage de la température	bouton rotatif	deux boutons par pas de 1 °C (et de 2 °F)	
Poignées amovibles	-	-	●

6.2 Éléments de commande et d'affichage

CF25, CF35, CF40

Verrouillage du couvercle (fig. **2** 1, page 3)

CF18

Panneau de commande et prise de raccordement (fig. **3**, page 3)

Repère	Description	Explication
1	TEMPÉRATURE	Régulateur de température, température de refroidissement dans les positions finales : COLD : +10 °C (+50 °F) FREEZE : -18 °C (0 °F)
2	POWER	Indication d'état La LED s'allume en vert : L'appareil est allumé et prêt à fonctionner La LED s'allume en jaune : la température de consigne a été atteinte
3	ERROR	La LED clignote en rouge : L'appareil est allumé mais n'est pas prêt à fonctionner
4	APPAREIL DE SURVEILLANCE DE BATTERIE	Allumage de l'appareil/protecteur de batterie : 0 : l'appareil est éteint HIGH : l'appareil est allumé, le moniteur de batterie est en mode HIGH LOW : l'appareil est allumé, le moniteur de batterie est en mode LOW
5	12/24 V==	Prise de raccordement de l'alimentation en tension continue

CF25, CF35, CF40, CF50

Panneau de commande (fig. **4**, page 4)

Repère	Description	Explication
1	ON OFF	Permet de mettre en marche ou d'arrêter la glacière en appuyant une à deux secondes sur la touche
2	POWER	Indication d'état La LED s'allume en vert : Le compresseur est en marche La LED s'allume en orange : Le compresseur est arrêté La LED clignote en orange : Affichage éteint automatiquement en raison de la faible tension de la batterie
3	ERROR	La LED clignote en rouge : L'appareil est allumé mais n'est pas prêt à fonctionner
4	SET [régler]	Sélection du mode de saisie – Réglage de la température – Affichage en Celsius ou Fahrenheit – Réglage de la surveillance de la batterie
5	–	Écran, affiche les valeurs
6	UP +	Une pression sur cette touche augmente la valeur de saisie
7	DOWN –	Une pression sur cette touche diminue la valeur de saisie

CF25

Douilles de raccordement (fig. **5**, page 4)

Repère	Description
1	Prise de raccordement de l'alimentation en tension continue

CF35, CF40, CF50

Douilles de raccordement (fig. **6**, page 4)

Repère	Description
1	Prise de raccordement de l'alimentation en tension alternative
2	Porte-fusible
3	Prise de raccordement de l'alimentation en tension continue

7 Utilisation

7.1 Avant la première utilisation



REMARQUE

Avant de mettre en service votre nouvelle glacière, vous devez, pour des raisons d'hygiène, la nettoyer à l'intérieur et à l'extérieur à l'aide d'un tissu humide (voir aussi chapitre « Nettoyage et entretien », page 49).

Montage des poignées (CF 35, CF40, CF 50)

Les poignées sont fournies non assemblées. Si vous souhaitez fixer les poignées, procédez comme suit :

- Fabriquez une poignée en assemblant deux supports (fig. **7** 1, page 4) et une poignée (fig. **7** 2, page 4).
- Fixez la poignée en vissant les vis fournies dans les trous prévus.

Inversion de la butée des couvercles (CF 50)

Vous pouvez retourner la butée du couvercle si vous voulez ouvrir celui-ci par l'autre côté. Procédez comme représenté :

- Ouvrez le couvercle et retirez-le (fig. **8** A, page 5).
- Tournez le couvercle.
- Insérez le couvercle dans les supports du couvercle sur le côté opposé de la glacière (fig. **8** B, page 5).

Sélection des unités de température (CF 25, CF 35, CF40, CF 50)

Pour l'affichage de la température, vous pouvez choisir entre les valeurs en °Celsius ou en °Fahrenheit. Voici comment faire :

- Mettez l'appareil de réfrigération en marche.
- Appuyez deux fois sur la touche « SET » (fig. **4** 4, page 4).
- Sélectionnez Celsius ou Fahrenheit à l'aide des touches « UP + » (fig. **4** 6, page 4) ou « DOWN – » (fig. **4** 7, page 4).
- ✓ L'écran affiche l'unité de température sélectionnée pendant quelques secondes. L'écran clignote plusieurs fois avant de revenir à l'affichage de la température actuelle.

7.2 Conseils pour économiser de l'énergie

- Choisissez un emplacement bien aéré et à l'abri du soleil.
- Laissez refroidir les aliments chauds avant de les déposer dans la glacière.
- Ne pas ouvrir la glacière plus souvent que nécessaire.
- Ne laissez pas la glacière ouverte plus longtemps que nécessaire.
- Dégivrez la glacière dès qu'une couche de glace s'est formée.
- Évitez les basses températures inutiles.

7.3 Raccordement de la glacière

Câble de rallonge CA



AVERTISSEMENT !

En raison de risques potentiels pour la sécurité sous certaines conditions, le fabricant déconseille fortement l'utilisation d'une rallonge. Toutefois, si vous devez utiliser une rallonge, il est absolument nécessaire qu'il s'agisse d'un câble de rallonge d'appareil sur liste UL (aux États-Unis) ou CSA (au Canada), avec des valeurs nominales de 10 A (minimum), 120 V.



ATTENTION !

- En **aucun cas** vous ne devez tenter de coller des fils du câble de rallonge.
- **N'utilisez pas** de bandes électriques ou de diviseurs à 2 voies.
- Toujours dérouler un câble de rallonge afin d'éviter la rétention de la chaleur et la possibilité qu'il fonde.

- Sélectionnez un câble de rallonge listé UL/CSA de 120 V~ / ≥ 10 A pour l'utilisation extérieure, selon le tableau suivant :

	Longueur maximale du cordon			
120 V~	10 ft. (3 m)	25 ft. (7,6 m)	50 ft. (15,2 m)	100 ft. (30,5 m)
Fils conducteurs	3	3	3	3
AWG	14 (1.6 mm ²)	12 (2 mm ²)	12 (2 mm ²)	12 (2 mm ²)

Câble de rallonge CC



ATTENTION !

- Le fabricant **déconseille** d'utiliser tout type de câble de rallonge CC.
- En **aucun cas** vous ne devez tenter de coller des fils du câble de rallonge.
- **N'utilisez pas** de bandes électriques ou de diviseurs à 2 voies.
- Toujours dérouler un câble de rallonge afin d'éviter la rétention de la chaleur et la possibilité qu'il fonde.

- Sélectionnez un câble de rallonge listé de 12 V/24 V \equiv /≥ 10 A pour l'utilisation automobile, selon le tableau suivant :

	Longueur maximale du cordon			
12 V \equiv	3 ft. (0,9 m)	6 ft. (1,8 m)	10 ft. (3 m)	12 ft. (3,7 m)
24 V \equiv	6 ft. (1,8 m)	10 ft. (3 m)	15 ft. (4,6 m)	25 ft. (7,6 m)
AWG	14 (1,6 mm ²)	12 (2 mm ²)	10 (2,6 mm ²)	8 (3,3 mm ²)

Raccordement à une batterie (véhicule ou bateau)

La glacière peut être branchée sur une tension continue de 12 V \equiv ou 24 V \equiv .



AVIS ! Risque d'endommagement !

Débranchez la glacière et les autres consommateurs d'énergie de la batterie avant de recharger la batterie avec un chargeur rapide. Les surtensions peuvent endommager l'électronique des appareils.

Pour des raisons de sécurité, la glacière est équipée d'une protection électronique contre les inversions de polarité en cas de raccordement à une batterie et contre les courts-circuits.

Utiliser câble de raccordement pour courant continu avec fusible



AVIS ! Risque d'endommagement !

Pour protéger l'appareil, le connecteur du câble pour courant continu inclus dans la livraison est équipé d'un fusible. Ne retirez **pas** le connecteur protégé pour courant continu.

Utilisez uniquement le câble pour courant continu inclus dans la livraison.

- Introduisez le câble pour CC (fig. **1** 2, page 3) dans la prise de tension CC de la glacière (fig. **5** 1, page 4/fig. **6** 3, page 4).
- Connectez le cordon d'alimentation à la prise de sortie CC.

Raccordement à une alimentation CA (p. ex. dans la maison ou au bureau) (CF35, CF40, CF50)



DANGER ! Danger d'électrocution

- Ne vous approchez pas de prises ou de commutateurs lorsque vous avez les mains mouillées ou les pieds dans l'eau.
- Si vous raccordez la glacière à bord d'un bateau à la tension 120 V~, vous devez dans tous les cas brancher un disjoncteur différentiel entre le circuit de courant alternatif 120 V et la glacière. Veuillez vous renseigner auprès d'un spécialiste.

Les glacières sont équipées d'un bloc d'alimentation intégré à tensions multiples avec raccordement prioritaire pour branchement sur une tension alternative. Le raccordement prioritaire permet de passer directement en fonctionnement sur secteur quand l'appareil est raccordé à un réseau de courant alternatif, même si le câble de raccordement CC est encore branché.

Lors de la commutation entre l'alimentation secteur et l'alimentation de la batterie, la LED rouge peut s'allumer brièvement.

- Branchez le cordon d'alimentation CA (fig. **1** 3, page 3) dans la prise de tension CA de la glacière (fig. **6** 1, page 4).
- Connectez le cordon d'alimentation à la prise de sortie CA.

7.4 Utilisation du protecteur de batterie

Le conteneur réfrigérant est équipé d'un protecteur de batterie à plusieurs niveaux qui protège la batterie de votre véhicule, afin d'éviter une décharge profonde lorsqu'il est raccordé au réseau en courant CC.

Si l'appareil de réfrigération est mis en marche alors que l'allumage du véhicule est éteint, il s'arrête automatiquement dès que la tension d'alimentation descend en dessous d'une valeur réglable. L'appareil de réfrigération se remet en marche dès que la batterie est rechargée et que la tension de rallumage est atteinte.



AVIS ! Risque de dommages !

En cas d'extinction par le protecteur de batterie, la batterie n'est plus complètement chargée. Évitez le démarrage et l'arrêt continu du moteur du véhicule lors de l'utilisation de la glacière dans un environnement automobile. Laissez le véhicule recharger la batterie avant d'allumer/éteindre la glacière.

En mode « HIGH », le protecteur de batterie se met en marche plus rapidement qu'en mode « LOW » ou « MED » (voir tableau suivant).

Mode protecteur de batterie	CF18		CF25, CF35, CF40, CF50		
	LOW	HIGH	LOW	MED	HIGH
Tension d'arrêt à 12 V	10,4 V	11,5 V	10,1 V	11,4 V	11,8 V
Tension de redémarrage à 12 V	11,5 V	12,5 V	11,1 V	12,2 V	12,6 V
Tension d'arrêt à 24 V	22,1 V	24,0 V	21,5 V	24,1 V	24,6 V
Tension de redémarrage à 24 V	23,6 V	25,4 V	23,0 V	25,3 V	26,2 V

Sélection du mode de surveillance de la batterie (CF25, CF35, CF40, CF50)

- Mettez l'appareil de réfrigération en marche.
- Appuyez trois fois sur la touche « SET » (fig. 4 4, page 4).
- Sélectionnez le mode du protecteur de batterie à l'aide des touches « UP + » (fig. 4 6, page 4) ou « DOWN - » (fig. 4 7, page 4).
- ✓ L'écran affiche le mode sélectionné pendant quelques secondes. L'écran clignote plusieurs fois avant de revenir à l'affichage de la température actuelle.

**REMARQUE**

Lorsque l'appareil de réfrigération est alimenté par la batterie de démarrage, réglez le protecteur de batterie sur le mode « HIGH ». Lorsque l'appareil de réfrigération est raccordé à une batterie d'alimentation, le mode « LOW » suffit.

Lorsque vous voulez faire fonctionner l'appareil de réfrigération sur le secteur à courant alternatif par un adaptateur secteur, réglez le protecteur de batterie sur la position « LOW ».

7.5 Utilisation de la glacière

**AVIS ! Risque de surchauffe !**

Garantissez en permanence une ventilation suffisante pour que la chaleur générée pendant le fonctionnement puisse se dissiper. Assurez-vous que les fentes d'aération ne sont pas recouvertes. La glacière DOIT se trouver à un MINIMUM de 2 pouces (51 mm) des murs ou des surfaces similaires qui pourraient restreindre les conditions importantes de flux d'air du système de refroidissement.

- Placez le réfrigérateur sur une surface stable. Veillez à ce que les fentes d'aération ne soient pas recouvertes, afin que l'air chaud puisse bien s'évacuer.

**REMARQUE**

Placez la glacière comme illustré (fig. **1**, page 3). Si la glacière est utilisée dans une autre position, l'appareil risque d'être endommagé.

- Fermez la glacière, voir chapitre « Raccordement de la glacière », page 40.

**REMARQUE**

Lorsque vous voulez faire fonctionner l'appareil de réfrigération sur le secteur à courant alternatif par un adaptateur secteur, réglez le protecteur de batterie sur la position « LOW ».

**AVIS ! Risque de températures trop basses !**

Veillez à ne déposer dans la glacière que des objets ou des aliments qui peuvent être réfrigérés à la température sélectionnée.

CF18

- Réglez le commutateur à glissière (fig. **3** 4, page 3) sur « HIGH » lorsque vous fournissez l'alimentation à partir de la source d'alimentation CC de votre véhicule.
- Réglez le commutateur à glissière (fig. **3** 4, page 3) sur « LOW » lorsque vous fournissez l'alimentation à partir d'une source d'alimentation CC externe.
- ✓ La LED « POWER » s'allume en vert.
- ✓ La glacière commence par la réfrigération du compartiment intérieur.
- ✓ Lorsque la température de réfrigération est atteinte, le voyant « POWER » est allumé en jaune.

CF25, CF35, CF40, CF50

- Appuyez pendant une à deux secondes sur la touche « ON/OFF » (fig. **4** 1, page 4).
- ✓ La LED « POWER » s'allume.
- ✓ L'écran (fig. **4** 5, page 4) s'allume et indique la température de refroidissement actuelle.

**REMARQUE**

La température affichée est celle du milieu de l'intérieur. Ailleurs, les températures peuvent s'écarter de cette température.

- ✓ La glacière commence par la réfrigération du compartiment intérieur.

**REMARQUE**

Lorsque vous utilisez la batterie, l'écran s'éteint automatiquement si la tension de la batterie est faible. La LED « POWER » clignote en orange.

Verrouillage de la glacière (CF35, CF40)

- Fermez le couvercle.
- Abaissez le verrouillage (fig. **2** 1, page 3) jusqu'à ce qu'il s'enclenche de manière audible.

7.6 Réglage de la température

CF18

- Réglez la température de refroidissement avec le régulateur de température (fig. **3** 1, page 3).

CF25, CF35, CF40, CF50

- Appuyez une fois sur la touche « SET » (fig. **4** 4, page 4).
- Sélectionnez la température de refroidissement à l'aide des touches « UP + » (fig. **4** 6, page 4) ou « DOWN - » (fig. **4** 7, page 4).
- ✓ L'écran affiche la température de réfrigération pendant quelques secondes. L'affichage clignote plusieurs fois, puis la température actuelle est à nouveau affichée.

7.7 Extinction de la glacière

- Videz l'appareil de réfrigération.
- Éteignez la glacière.
- Débranchez le câble de raccordement.

Lorsque vous ne voulez pas utiliser la glacière pendant une période prolongée :

- Laissez le couvercle légèrement ouvert. Vous évitez ainsi la formation d'odeurs.

7.8 Dégivrage de la glacière

L'humidité de l'air peut se condenser sous forme de givre au niveau de l'évaporateur ou à l'intérieur de la glacière. Cela diminue la puissance frigorifique. Veillez donc à dégivrer l'appareil à temps.



AVIS ! Risque de dommages !

N'utilisez jamais d'outils durs ou pointus pour enlever la glace ou pour décoincer les objets pris dans la glace.

Procédez de la manière suivante pour dégivrer la glacière :

- Sortez le contenu de l'appareil de réfrigération.
- Placez-les éventuellement dans un autre réfrigérateur pour qu'ils restent froids.
- Éteignez l'appareil.
- Laissez le couvercle ouvert.
- Essayez l'eau de dégivrage.

7.9 Remplacer le fusible CA (CF35, CF40, CF50)



DANGER ! Danger d'électrocution

Débranchez le câble de connexion avant de remplacer le fusible de l'appareil.

- Débranchez les câbles de raccordement.
- Retirez le porte-fusible (fig. **6** 2, page 4) en faisant p. ex. levier avec un tournevis.
- Remplacez le fusible défectueux par un nouveau fusible de même valeur (T4AL 250 V).
- Remplacez le porte-fusible dans le boîtier, en appuyant dessus.

7.10 Remplacement du fusible du connecteur (CC)

- Retirez le compensateur (fig. **9** 4, page 5) du connecteur.
- Retirez la vis (fig. **9** 5, page 5) de la partie supérieure du boîtier (fig. **9** 1, page 5).
- Soulevez avec précaution la partie supérieure du boîtier de la partie inférieure (fig. **9** 6, page 5).
- Retirez la fiche de contact (fig. **9** 3, page 5).
- Remplacez le fusible défectueux (fig. **9** 2, page 5) par un fusible neuf de même type et de même caractéristique (3AG, rapide, 10 A).
- Remontez la prise en effectuant les opérations dans l'ordre inverse.

7.11 Remplacement de l'ampoule (CF25, CF35, CF40, CF50)

- Appuyez sur la tige de contact (fig. **10** 2, page 5) pour que la partie transparente (fig. **10** 1, page 5) de la lampe puisse être retirée par devant.
- Remplacez l'ampoule.



REMARQUE

Les LED de l'ampoule doivent être alignées avec la partie transparente de la lampe.

- Appuyez sur la partie transparente de la lampe pour la rentrer dans le boîtier.

8 Nettoyage et entretien



AVERTISSEMENT !

Avant toute opération de nettoyage ou d'entretien de l'appareil, veuillez à le mettre hors secteur.



AVIS ! Risque d'endommagement !

- Ne nettoyez jamais la glacière à l'eau courante et ne la plongez pas non plus dans l'eau.
- N'utilisez pour le nettoyage ni produits abrasifs ni objets durs qui pourraient endommager la glacière.

- Nettoyez de temps à autre l'appareil à l'intérieur et à l'extérieur avec un chiffon humide.
- Assurez-vous que les ouvertures d'aération et de ventilation de l'appareil ne sont pas encombrées de saletés ou de poussières, pour que la chaleur générée par le fonctionnement soit évacuée et que l'appareil ne soit pas endommagé.

9 Garantie

Le délai légal de garantie s'applique. Si le produit s'avérait défectueux, veuillez vous adresser à la filiale du fabricant située dans votre pays (voir adresses au verso du présent manuel) ou à votre revendeur spécialisé.

Veuillez y joindre les documents suivants pour la gestion des réparations et de la garantie :

- une copie de la facture avec la date d'achat,
- le motif de la réclamation ou une description du dysfonctionnement.

10 Guide de dépannage

Dysfonctionnement	Cause possible	Solution proposée
L'appareil ne fonctionne pas, la LED n'est pas allumée.	Aucune tension n'a été détectée dans la source de courant continu.	Dans la plupart des véhicules, l'allumage doit être allumé avant que l'alimentation soit fournie à la prise DC.
	La prise de tension alternative n'est pas sous tension.	Essayez une autre prise.
	Le fusible de l'appareil est défectueux.	Remplacez le fusible de l'appareil, voir chapitre « Remplacer le fusible CA (CF35, CF40, CF50) », page 47.
	Le bloc d'alimentation intégré est défectueux.	La réparation doit être effectuée uniquement par un service après-vente agréé.
L'appareil ne réfrigère pas (le connecteur est branché, la LED « POWER » est allumée).	Compresseur défectueux.	La réparation doit être effectuée uniquement par un service après-vente agréé.
L'appareil ne réfrigère pas (le connecteur est branché, la LED « POWER » clignote en orange, l'écran est éteint).	Le mode du protecteur de batterie est trop élevé.	Réglez le protecteur de batterie sur un mode moins élevé.
	La tension de la batterie est insuffisante.	Contrôlez la batterie et chargez-la si nécessaire.
Lors du fonctionnement sur prise CC : L'allumage est en marche, l'appareil ne fonctionne pas et la LED n'est pas allumée.	La prise de courant est sale. Ceci entraîne un mauvais contact électrique.	Si la fiche devient très chaude lorsqu'elle est branchée dans la prise de l'allume-cigare, c'est que la prise de l'allume-cigare doit être nettoyée ou que la fiche n'est pas bien montée.
	Le fusible de sécurité du câble de raccordement a grillé.	Remplacez le fusible de la prise CC, voir chapitre « Remplacement du fusible du connecteur (CC) », page 48.
	Le fusible du véhicule est grillé.	Remplacez le fusible de la prise CC du véhicule. Veuillez vous référer au manuel d'utilisation de votre véhicule.

Dysfonctionnement	Cause possible	Solution proposée
Un message d'erreur s'affiche (p. ex. « Err1 ») et l'appareil ne réfrigère pas.	Un dysfonctionnement interne a arrêté l'appareil.	La réparation doit être effectuée uniquement par un service après-vente agréé.
L'éclairage intérieur d'un compartiment clignote.	Le couvercle du compartiment a été laissé ouvert pendant plus de trois minutes	Refermez le couvercle du compartiment.


11 Élimination des déchets


- Jetez les emballages dans les conteneurs de déchets recyclables prévus à cet effet.




Lorsque vous mettez votre produit définitivement hors service, informez-vous auprès du centre de recyclage le plus proche ou auprès de votre revendeur spécialisé sur les prescriptions relatives au retraitement des déchets.

12 Caractéristiques techniques

	CF18	CF25
Tension de raccordement :	12/24 V \equiv	
Courant nominal		
- 12 V \equiv :	7,0 A	7,0 A
- 24 V \equiv :	3,0 A	3,0 A
- 120 V \sim :	-	-
Puissance frigorifique :	+10 °C à -18 °C (+50 °F à +0.4 °F)	
Capacité utilisable :	18 l (0.64 cu. ft.)	23 l (0.82 cu. ft.)
Classe climatique :	N, ST, T	
Température ambiante :	18 °C à 43 °C (+50 °F à 109.4 °F)	
Émissions sonores :	-	
Quantité de réfrigérant :	38 g (1.34 oz.)	40 g (1.41 oz.)
Équivalent CO ₂ :	0,054 t (119.05 lb.)	0,057 t (125.66 lb.)
Potentiel d'effet de serre (GWP) :	1430	
Dimensions (L x H x P) en mm (in.) :	300 x 414 x 465 (11,81 x 16,30 x 18,31)	260 x 425 x 550 (10,24 x 16,73 x 21,65)
Poids :	12 kg (26,46 lb.)	12,7 kg (28 lb.)
Contrôle/certificats :		

	CF35	CF40
Tension de raccordement :	12/24 V \equiv et 120 V \sim	
Courant nominal		
- 12 V \equiv :	7,0 A	
- 24 V \equiv :	3,0 A	
- 120 V \sim :	1,4 A	
Puissance frigorifique :	+10 °C à -18 °C (+50 °F à +0.4 °F)	
Capacité utilisable :	31 l (1.1 cu. ft.)	36 l (1.3 cu. ft.)
Classe climatique :	N, ST, T	
Température ambiante :	18 °C à 43 °C (+50 °F à 109.4 °F)	
Émissions sonores :	45 dB(A)	
Quantité de réfrigérant :	42 g (1.48 oz.)	
Équivalent CO ₂ :	0,060 t (132.28 lb.)	
Potentiel d'effet de serre (GWP) :	1430	
Dimensions (L x H x P) en mm (in.) :	360 x 385 x 580 (14,17 x 15,16 x 22,83)	360 x 445 x 580 (14,17 x 17,52 x 22,83)
Poids :	15,5 kg (34,61 lb.)	17,2 kg (37,92 lb.)
Contrôle/certificats :	 US N° de dossier : SA12891	

	CF50
Tension de raccordement :	12/24 V \equiv et 120 V \sim
Courant nominal	
- 12 V \equiv :	7,0 A
- 24 V \equiv :	3,0 A
- 120 V \sim :	1,4 A
Puissance frigorifique :	+10 °C à -18 °C (+50 °F à +0.4 °F)
Capacité utilisable :	47 l (1.7 cu. ft.)
Classe climatique :	N, ST, T
Température ambiante :	18 °C à 43 °C (+64.4 °F à 109.4 °F)
Émissions sonores :	45 dB(A)
Quantité de réfrigérant :	45 g (1.59 oz.)
Équivalent CO ₂ :	0,064 t (141.1 lb.)
Potentiel d'effet de serre (GWP) :	1430
Dimensions (L x H x P) en mm (in.) :	360 x 480 x 630 (14,17 x 18,9 x 24,8)
Poids :	18 kg (39,68 lb.)
Contrôle/certificats :	 US N° de dossier : SA12891

**REMARQUE**

Si la température ambiante est supérieure à 32 °C (90 °F), la température minimale ne peut être atteinte.

Le circuit frigorifique contient du R134a.

Contient des gaz à effet de serre fluorés

Équipement hermétiquement scellé

Lea atentamente este manual antes de la puesta en funcionamiento del aparato y consérvelo en un lugar seguro para futuras consultas. En caso de vender o entregar el aparato a otra persona, entregue también estas instrucciones.

El fabricante declina toda responsabilidad por los daños causados por **el uso inadecuado** o por el **uso incorrecto** del aparato.

Índice

1	Explicación de los símbolos	56
2	Indicaciones de seguridad	56
2.1	Seguridad general.	56
2.2	Seguridad durante el funcionamiento del aparato	58
3	Volumen de entrega	59
4	Accesorios	59
5	Uso adecuado	60
6	Descripción del funcionamiento	60
6.1	Ámbito del funcionamiento	61
6.2	Elementos de mando y de indicación	62
7	Manejo	64
7.1	Antes del primer uso	64
7.2	Consejos para el ahorro de energía	65
7.3	Conexión de la nevera	65
7.4	Utilización del controlador de la batería	68
7.5	Uso de la nevera	69
7.6	Ajustar la temperatura	71
7.7	Desconexión de la nevera	71
7.8	Descongelar la nevera	71
7.9	Cambiar el fusible de corriente alterna (CF35, CF40, CF50)	72
7.10	Cambiar el fusible de la clavija (corriente continua)	72
7.11	Sustitución de la bombilla (CF25, CF35, CF40, CF50)	73
8	Limpieza y mantenimiento	73
9	Garantía	74

10	Solución de averías	74
11	Gestión de residuos	75
12	Datos técnicos	76

1 Explicación de los símbolos



¡PELIGRO!

Indicación de seguridad: su incumplimiento acarrea la muerte o graves lesiones.



¡ADVERTENCIA!

Indicación de seguridad: su incumplimiento puede acarrear la muerte o graves lesiones.



¡ATENCIÓN!

Indicación de seguridad: su incumplimiento puede acarrear lesiones.



¡AVISO!

Su incumplimiento puede acarrear daños materiales y perjudicar el correcto funcionamiento del producto.



NOTA

Información adicional para el manejo del producto.

2 Indicaciones de seguridad

2.1 Seguridad general



¡ADVERTENCIA!

- No ponga el aparato en funcionamiento si presenta desperfectos visibles.
- Si se daña el cable de conexión del aparato, éste deberá ser reemplazado por el fabricante, su servicio de atención al cliente o una persona cualificada para evitar así posibles peligros.

- Sólo personal especializado puede realizar reparaciones en el aparato. Las reparaciones realizadas indebidamente pueden dar lugar a situaciones de considerable peligro.
- Los niños mayores de 8 años y las personas de capacidad física, sensorial o mental disminuida, así como aquellas personas con falta de experiencia y/o conocimientos suficientes solo podrán utilizar este aparato si están vigilados o han sido instruidos respecto al uso seguro del aparato y a los posibles peligros que pueden emanar de él.
- Los niños solo podrán realizar las tareas de limpieza y mantenimiento bajo vigilancia.
- Los niños no están autorizados a jugar con el aparato.
- Se ha de vigilar a los niños para garantizar que no usen este aparato como juguete.
- Mantenga y utilice el aparato fuera del alcance de los niños menores de 8 años.
- No guarde en el aparato sustancias con peligro de explosión como, p. ej., atomizadores con gases combustibles.



¡ATENCIÓN!

- Desconecte el aparato de la red
 - antes de realizar cualquier tarea de limpieza y mantenimiento;
 - después de cada uso.
- Los alimentos sólo se pueden guardar en los envases originales o en recipientes adecuados.



¡AVISO!

- Compare el valor de tensión indicado en la placa de características con el suministro de energía existente.
- Conecte el aparato únicamente del siguiente modo:
 - conecte el cable de alimentación CC a una caja de enchufe CC en el vehículo
 - o bien conecte el cable de alimentación de CA a la red de corriente alterna
- No extraiga nunca la clavija de la caja de enchufe tirando del cable de conexión.
- Si la nevera está conectada a la caja de enchufe CC: Desconecte de la batería el aparato refrigerador u otros dispositivos consumidores si va a conectar un cargador rápido.

- Si la nevera está conectada a la caja de enchufe CC: Desconecte la conexión o apague el aparato cuando apague el motor. De lo contrario podrá descargarse la batería.
- Este aparato refrigerador no es apto para transportar sustancias corrosivas o disolventes.
- Este aislamiento de este aparato refrigerador contiene ciclopentano inflamable. Los gases presentes en el material aislante requieren un proceso de eliminación especial. Elimine debidamente el aparato al final de su vida útil.

2.2 Seguridad durante el funcionamiento del aparato



¡ATENCIÓN!

- Antes de la puesta en funcionamiento, asegúrese de que el cable de alimentación y la clavija de enchufe estén secos.



¡AVISO!

- No utilice ningún aparato eléctrico dentro de la nevera, a no ser que el aparato en cuestión haya sido recomendado para ello por el fabricante.
- No coloque el aparato cerca de llamas vivas ni de otras fuentes de calor (calefacción, radiación directa del sol, estufas de gas, etc.).
- **¡Peligro de sobrecalentamiento!**
Asegúrese todo el tiempo de que el calor producido durante el funcionamiento se puede desalojar adecuadamente. Asegúrese de que el aparato guarda la suficiente distancia con las paredes u objetos, de forma que el aire pueda circular.
- Procure que no se obstruyan las ranuras de ventilación.
- No introduzca líquidos ni hielo en el contenedor interior.
- No sumerja nunca el aparato en agua.
- Proteja el aparato y los cables del calor y de la humedad.

3 Volumen de entrega

Pos. en fig. 1, página 3	Cantidad	Descripción
1	1	Nevera portátil
2	1	Cable de conexión para CC
3	1	Solo CF35, CF40, CF50 Cable de conexión para CA
4	2	Solo CF35, CF40, CF50 Asa de transporte, compuesta de: <ul style="list-style-type: none"> - 2 soportes - 1 asa - 4 tornillos de fijación
-	1	Instrucciones de uso

4 Accesorios

Disponibles como accesorio (no incluidos en el volumen de entrega):

Descripción	N.º de ref.
Bolsa aislante para CF 18	9600003792
Bolsa aislante para CF 25	9600003793
Bolsa aislante para CF 35	9600003794
Bolsa aislante para CF 40	9600003795
Bolsa aislante para CF 50	9600003796

Para cualquier pregunta respecto a los accesorios diríjase a su socio de servicio local.

5 Uso adecuado

La nevera es apta tanto para enfriar como para congelar los alimentos.

La nevera está dimensionada para su uso en:

- la red de corriente continua de un vehículo, una embarcación o una caravana
- una batería de alimentación de corriente continua
- una red de corriente alterna (CF35, CF40, CF50)

Para el funcionamiento de CF 18, CF25 en una red de corriente alterna/continua de 120 V~ necesitará un rectificador (accesorios).



¡ATENCIÓN! ¡Riesgo para la salud!

Compruebe si la potencia de refrigeración del aparato cumple los requisitos de los alimentos o medicamentos que desea enfriar.

6 Descripción del funcionamiento

La nevera puede refrigerar o congelar alimentos. Un sistema de refrigeración rápido y eficiente enfría sin necesidad de mantenimiento con un compresor y módulo de control.

La nevera está diseñada para uso móvil y puede ser transportada usando el soporte de transporte plegable (CF18), dos asas cóncavas (CF25) o dos asas de transporte extraíbles (CF35, CF40, CF50).

La nevera puede funcionar con un ángulo de escora de 30° durante periodos breves, por ejemplo al usarse en embarcaciones.

6.1 **Ámbito del funcionamiento**

	CF18	CF25	CF35, CF40, CF50
Fuente de alimentación con conexión de prioridad para conexión a la alimentación de tensión	–	–	●
Controlador de la batería para proteger la batería del vehículo	2 etapas	3 etapas	
Modo turbo para una rápida refrigeración	–	●	●
Pantalla con sensor de temperatura (se desconecta automáticamente con baja tensión de la batería)	–	●	●
Regulación de temperatura	regulador giratorio	dos teclas de pasos de 1 °C (2 °F)	
Asas de transporte extraíbles	–	–	●

6.2 Elementos de mando y de indicación

CF25, CF35, CF40

Bloqueo de la tapa (fig. **2** 1, página 3)

CF18

Panel de control y conexión de enchufe (fig. **3**, página 3)

Elemento	Descripción	Explicación
1	TEMPERATURA	Regulador de temperatura, temperatura de refrigeración en las posiciones finales: COLD: +10 °C (+50 °F) FREEZE: -18 °C (0 °F)
2	POWER	Indicación de funcionamiento
		LED iluminado en verde: el aparato está encendido y listo para funcionar
3	ERROR	LED iluminado en amarillo: se ha alcanzado la temperatura ajustada
		LED intermitente en rojo: la nevera está encendida pero no lista para funcionar
4	CONTROLADOR DE LA BATERÍA	Encendido del aparato/controlador de la batería:
		0: El aparato está desconectado
		HIGH: El aparato está encendido, el controlador de la batería está en modo HIGH
5	12/24 V==	LOW: El aparato está encendido, el controlador de la batería está en modo LOW
		Conectores para la alimentación de tensión continua

CF25, CF35, CF40, CF50

Panel de control (fig. 4, página 4)

Elemento	Descripción	Explicación
1	ENCENDIDO APAGADO	Enciende o apaga la nevera cuando se pulsa la tecla durante uno o dos segundos
2	POWER	Indicación de funcionamiento
		LED iluminado en verde: el compresor está en marcha
		LED iluminado en naranja: el compresor está apagado
		LED intermitente en naranja: la pantalla se apaga automáticamente debido a tensión baja de la batería
3	ERROR	LED intermitente en rojo: la nevera está encendida pero no lista para funcionar
4	SET	Selecciona el modo de entrada de datos – Regulación de temperatura – Indicación en Celsius o Fahrenheit – Ajustar el controlador de la batería
5	–	Pantalla, muestra la información
6	UP +	Pulsar una vez para aumentar el valor
7	DOWN –	Pulsar una vez para disminuir el valor

CF25

Conexiones de enchufe (fig. 5, página 4)

Elemento	Descripción
1	Conectores para la alimentación de tensión continua

CF35, CF40, CF50

Conexiones de enchufe (fig. **6**, página 4)

Elemento	Descripción
1	Conectores para la alimentación de tensión alterna
2	Portafusibles
3	Conectores para la alimentación de tensión continua

7 Manejo

7.1 Antes del primer uso

**NOTA**

Por razones de higiene, deberá limpiar la nevera por dentro y por fuera con un paño húmedo antes de ponerla en funcionamiento (véase también capítulo “Limpieza y mantenimiento” en la página 73).

Montaje de las asas (CF35, CF40, CF50)

Se incluyen las asas sin ensamblar. Si desea fijar las asas, proceda de la forma siguiente:

- Haga un asa poniendo juntos dos soportes (fig. **7** 1, página 4) y un asa (fig. **7** 2, página 4).
- Fije el mango con los tornillos incluidos en los agujeros previstos a tal fin.

Cambiar de lado el tope de la tapa (CF50)

Puede cambiar de lado el tope de la tapa, en caso de que desee abrir la tapa hacia el otro lado. Para ello proceda de la siguiente manera:

- Abra la tapa y extráigala (fig. **8** A, página 5).
- Gire la tapa.
- Inserte la tapa en los soportes para tapas en el lado contrario de la nevera (fig. **8** B, página 5).

Seleccionar las unidades de temperatura (CF25, CF35, CF40, CF50)

Para la indicación de temperatura puede elegir entre grados centígrados o Fahrenheit. Está es la manera de hacerlo:

- Encienda la nevera.
- Pulse dos veces el pulsador "SET" (fig. 4 4, página 4).
- Use los pulsadores "UP +" (fig. 4 6, página 4) y "DOWN -" (fig. 4 7, página 4) para seleccionar entre grados Centígrados o Fahrenheit.
- ✓ La pantalla indica durante unos segundos la unidad de temperatura ajustada. La pantalla parpadea algunas veces antes de volver a mostrar la temperatura actual.

7.2 Consejos para el ahorro de energía

- Elija un lugar de montaje correctamente ventilado y protegido de la radiación solar.
- Antes de introducir alimentos calientes, deje que se enfríen.
- Evite abrir la nevera más de lo necesario.
- No deje la nevera abierta más tiempo del que sea necesario.
- Descongele la nevera una vez que se haya formado una capa de escarcha.
- Evite temperaturas innecesariamente bajas.

7.3 Conexión de la nevera

Cable de extensión de corriente alterna



¡ADVERTENCIA!

Debido a los potenciales riesgos de seguridad bajo ciertas condiciones, el fabricante recomienda firmemente el no usar un cable de extensión. Sin embargo, si tuviera que utilizar un cable de extensión, será absolutamente necesario que sea un cable de extensión del aparato certificado UL (en los Estados Unidos) o certificado CSA (en Canada) con 10 A (mínimo), 120 V, de las clasificaciones eléctricas.



¡ATENCIÓN!

- Bajo **ninguna circunstancia** debe intentar empalmar los cables de extensión.
- **No** use regletas o divisores de 2 vías.
- Desenrolle siempre un cable de extensión para evitar que se retenga calor y que se pueda derretir.

- ▶ Seleccione un cable de extensión para uso en exteriores de 120 V~ / ≥ 10 A, certificado UL/CSA de acuerdo con la tabla siguiente:

Máxima longitud del cordón				
120 V~	10 ft. (3 m)	25 ft. (7,6 m)	50 ft. (15,2 m)	100 ft. (30,5 m)
Cables conductores	3	3	3	3
AWG	14 (1,6 mm ²)	12 (2 mm ²)	12 (2 mm ²)	12 (2 mm ²)

Cable de extensión de corriente continua



¡ATENCIÓN!

- El fabricante **no** recomienda usar ningún tipo de cable de extensión de corriente continua.
- Bajo **ninguna circunstancia** debe intentar empalmar los cables de extensión.
- **No** use regletas o divisores de 2 vías.
- Desenrolle siempre un cable de extensión para evitar que se retenga calor y que se pueda derretir.

- ▶ Seleccione un cable de extensión para uso en automoción de 12 V/24 V== / ≥ 10 A de acuerdo con la tabla siguiente:

Máxima longitud del cordón				
12 V==	3 ft. (0,9 m)	6 ft. (1,8 m)	10 ft. (3 m)	12 ft. (3,7 m)
24 V==	6 ft. (1,8 m)	10 ft. (3 m)	15 ft. (4,6 m)	25 ft. (7,6 m)
AWG	14 (1,6 mm ²)	12 (2 mm ²)	10 (2,6 mm ²)	8 (3,3 mm ²)

Conexión a una batería (automóvil o embarcación)

La nevera puede funcionar con una tensión continua de 12 V --- ó 24 V --- .



¡AVISO! ¡Peligro de ocasionar daños materiales!

Antes de cargar la batería con un cargador rápido, desconéctela de la nevera y de otros consumidores.

La sobretensión puede dañar el sistema electrónico de los aparatos.

Por motivos de seguridad, la nevera está equipada con una protección electrónica contra inversión de polaridad y contra cortocircuitos.

El cable de conexión de corriente continua debe usarse con fusible.



¡AVISO! ¡Peligro de ocasionar daños materiales!

Para proteger el aparato, la clavija del cable de conexión de corriente continua adjunto está provista de un fusible. **No** retire la clavija de corriente continua protegida.

Utilice exclusivamente el cable de conexión de corriente continua adjunto.

- Conecte el cable de conexión de CC (fig. **1** 2, página 3) en la caja de enchufe de CC del refrigerador (fig. **5** 1, página 4/fig. **6** 3, página 4).
- Conecte el cable de conexión a la salida de tensión de CC.

Conexión a fuente de alimentación de corriente alterna (p. ej. en casa o en la oficina) (CF35, CF40, CF50)



¡PELIGRO! ¡Peligro de electrocución!

- No manipule los enchufes ni interruptores con las manos mojadas ni con los pies sobre una superficie mojada.
- Si va a utilizar la nevera a bordo de una embarcación a través de una conexión de alimentación de corriente de 120 V \sim , deberá instalar un interruptor automático diferencial entre la fuente de alimentación de corriente alterna de 120 V y la nevera. Consulte con un especialista.

Las neveras tienen una fuente de alimentación integrada de tensión múltiple con una conexión de prioridad para conectar a la fuente de tensión alterna. Esta conexión de prioridad conmuta automáticamente la nevera a funcionamiento a través de la fuente de alimentación cuando el aparato está conectado a una fuente de alimentación de corriente alterna, aun cuando el cable de conexión de CC siga conectado.

El LED rojo puede iluminarse brevemente al cambiar entre la fuente de alimentación de corriente alterna y la alimentación de la batería.

- Enchufe el cable de conexión de CA (fig. **1** 3, página 3) en la caja de enchufe de CA de la nevera (fig. **6** 1, página 4).
- Conecte el cable de conexión a la salida de tensión de CA.

7.4 Utilización del controlador de la batería

El aparato está equipado con un controlador de batería de varias etapas que evita que la batería del vehículo se descargue excesivamente cuando el aparato esté conectado a la red de a bordo de CC.

En caso de poner la nevera en funcionamiento en el vehículo con el contacto apagado, ésta se desconectará automáticamente en cuanto la tensión de alimentación descienda por debajo del valor programable. La nevera vuelve a conectarse tan pronto como se cargue la batería y se alcance la tensión de alimentación de reconexión.



¡AVISO! ¡Peligro de daños!

La batería no se cargará de forma completa, al ser desconectada por el controlador de la batería. Evite arrancar y parar repetidamente el motor del vehículo cuando utilice la nevera en un vehículo. Deje que se recargue la batería del vehículo antes de encender la nevera.

En el modo "HIGH" el controlador de batería se activa antes que en el nivel "LOW" y "MED" (véase la siguiente tabla).

Modo del controlador de batería	CF18		CF25, CF35, CF40, CF50		
	LOW	HIGH	LOW	MED	HIGH
Tensión de desconexión a 12 V	10,4 V	11,5 V	10,1 V	11,4 V	11,8 V
Tensión de reconexión a 12 V	11,5 V	12,5 V	11,1 V	12,2 V	12,6 V
Tensión de desconexión a 24 V	22,1 V	24,0 V	21,5 V	24,1 V	24,6 V
Tensión de reconexión a 24 V	23,6 V	25,4 V	23,0 V	25,3 V	26,2 V

Seleccionar el modo del controlador de la batería (CF25, CF35, CF40, CF50)

- Encienda la nevera.
- Pulse tres veces el pulsador "SET" (fig. **4** 4, página 4).
- Utilice los pulsadores "UP +" (fig. **4** 6, página 4) y "DOWN -" (fig. **4** 7, página 4) para seleccionar el modo del controlador de la batería.
- ✓ La pantalla indica durante unos segundos el modo seleccionado. La pantalla parpadea algunas veces antes de volver a mostrar la temperatura actual.



NOTA

Cuando la nevera está alimentada por la batería de arranque, seleccione el modo del controlador de batería "HIGH". Si la nevera está conectada a una batería de alimentación, es suficiente el modo de controlador de batería "LOW".

Si desea operar la nevera desde la fuente de alimentación de corriente alterna, regule el controlador de la batería a la posición "LOW".

7.5 Uso de la nevera



¡AVISO! ¡Peligro de sobrecalentamiento!

Asegúrese que en todo momento exista suficiente ventilación para que el calor originado durante el uso se pueda disipar. Evite que se obstruyan las ranuras de ventilación. La nevera DEBE mantener una distancia MÍNIMA de 51 mm (2 pulgadas) respecto a paredes o superficies semejantes que podrían restringir el flujo del aire necesario para el sistema de refrigeración.

- Coloque la nevera sobre una base firme.
Asegúrese de que no se obstruyan las ranuras de ventilación y que el aire recalentado se evacue correctamente.



NOTA

Sítue la nevera tal como se muestra (fig. **1**, página 3). Si la caja se pone en marcha en otra posición, podría sufrir daños.

- Conecte la nevera, véase capítulo "Conexión de la nevera" en la página 65.



NOTA

Si desea operar la nevera desde la fuente de alimentación de corriente alterna, regule el controlador de la batería a la posición "LOW".



¡AVISO! ¡Peligro debido a una temperatura demasiado baja!

Asegúrese de que en la nevera estén solamente los objetos o productos que se pretendan enfriar a la temperatura ajustada.

CF18

- ▶ Coloque el interruptor deslizante (fig. **3** 4, página 3) en la posición “HIGH” cuando tome tensión de corriente de la fuente de CC de su vehículo.
- ▶ Coloque el interruptor deslizante (fig. **3** 4, página 3) en la posición “LOW” cuando tome tensión de corriente de una fuente de alimentación externa de CC.
- ✓ El LED “POWER” se ilumina de color verde.
- ✓ La nevera empieza a refrigerar el espacio interior.
- ✓ Cuando se alcanza la temperatura de refrigeración, el LED “POWER” se ilumina en amarillo.

CF25, CF35, CF40, CF50

- ▶ Mantenga el pulsador “ON/OFF” (fig. **4** 1, página 4) pulsado durante uno o dos segundos.
- ✓ El LED “POWER” se ilumina.
- ✓ La pantalla (fig. **4** 5, página 4) se enciende e indica la temperatura de refrigeración actual.



NOTA

La temperatura mostrada corresponde a la mitad del espacio interior. La temperatura en cualquier otro lugar puede variar respecto a esta temperatura.

- ✓ La nevera empieza a refrigerar el espacio interior.



NOTA

Cuando funciona con la batería, la pantalla se desconecta de forma automática si la tensión es baja. El LED “POWER” parpadea en naranja.

Bloquear la nevera (CF35, CF40)

- ▶ Cierre la tapa.
- ▶ Presione el bloqueo (fig. **2** 1, página 3) hacia abajo hasta que lo oiga encajar.

7.6 Ajustar la temperatura

CF18

- Ajuste la temperatura de refrigeración con el regulador de temperatura (fig. **3** 1, página 3).

CF25, CF35, CF40, CF50

- Presione una vez el pulsador "SET" (fig. **4** 4, página 4).
- Seleccione la temperatura de refrigeración usando los pulsadores "UP +" (fig. **4** 6, página 4) y "DOWN -" (fig. **4** 7, página 4).
- ✓ La temperatura de refrigeración se indica durante unos segundos en la pantalla. La pantalla parpadea varias veces y se vuelve a mostrar la temperatura actual.

7.7 Desconexión de la nevera

- Vacíe la nevera.
- Apague la nevera.
- Desenchufe el cable de conexión.

Si no va a usar la nevera durante un largo período de tiempo:

- Deje la tapa ligeramente abierta. De esta forma, evitará la formación de olores.

7.8 Descongelar la nevera

Es posible que la humedad del aire se deposite en forma de escarcha en el interior de la nevera o en el vaporizador. Esto disminuye la potencia de refrigeración. Descongele a tiempo el aparato.



¡AVISO! ¡Peligro de daños!

No utilice nunca herramientas de material duro o afiladas para quitar el hielo o soltar objetos que se hayan congelado en su ubicación.

Para descongelar la nevera, proceda como se indica a continuación:

- Retire el contenido del aparato refrigerador.
- En caso necesario, colóquelos en otro aparato refrigerador para mantenerlos refrigerados.

- Desconecte el aparato.
- Deje la cubierta abierta.
- Limpie el agua descongelada.

7.9 Cambiar el fusible de corriente alterna (CF35, CF40, CF50)



¡PELIGRO! ¡Peligro de electrocución!

Desconecte el cable de conexión antes de sustituir el fusible del aparato.

- Desenchufe el cable de conexión.
- Quite el juego de fusibles (fig. **6** 2, página 4) con un destornillador.
- Cambie el fusible averiado por otro nuevo con los mismos valores (T4AL, 250 V).
- Vuelva a presionar el juego de fusibles en la carcasa.

7.10 Cambiar el fusible de la clavija (corriente continua)

- Saque el casquillo de compensación (fig. **9** 4, página 5) del enchufe.
- Desatornille el tornillo (fig. **9** 5, página 5) de la mitad superior de la carcasa (fig. **9** 1, página 5).
- Levante con cuidado la mitad superior de la carcasa separándola de la mitad inferior (fig. **9** 6, página 5).
- Extraiga la clavija de contacto (fig. **9** 3, página 5).
- Sustituya el fusible estropeado (fig. **9** 2, página 5) por uno nuevo del mismo tipo y valor (3AG, Fast Acting, 10 A).
- Vuelva a montar la clavija procediendo en el orden inverso.

7.11 Sustitución de la bombilla (CF25, CF35, CF40, CF50)

- Presione hacia abajo el pasador (fig. 10 2, página 5), de forma que la pieza transparente (fig. 10 1, página 5) de la lámpara se pueda extraer hacia delante.
- Sustitución de la bombilla.



NOTA

Los LED en la bombilla tienen que alinearse con la pieza transparente de la lámpara.

- Coloque la pieza transparente de la lámpara nuevamente en la carcasa.

8 Limpieza y mantenimiento



¡ADVERTENCIA!

Desconecte el aparato de la red antes de proceder con la limpieza o el mantenimiento del mismo.



¡AVISO! ¡Peligro de ocasionar daños materiales!

- Nunca limpie la nevera bajo el chorro de agua corriente ni inmersa en agua jabonosa.
- No emplee productos de limpieza corrosivos u objetos que puedan arañar o deteriorar el aparato durante su limpieza.

- Limpie de vez en cuando el interior y el exterior de la nevera con un paño húmedo.
- Asegúrese de que las aberturas de ventilación y desaireación del aparato estén limpias de polvo para que se pueda evacuar el calor generado durante el funcionamiento y el aparato no resulte perjudicado.

9 Garantía

Rige el plazo de garantía legal. Si el producto presenta algún defecto, diríjase a la sucursal del fabricante de su país (ver direcciones en el dorso de estas instrucciones) o a su establecimiento especializado.

Para la tramitación de la reparación y de la garantía debe enviar también los siguientes documentos:

- una copia de la factura con fecha de compra,
- el motivo de la reclamación o una descripción de la avería.

10 Solución de averías

Avería	Posible causa	Propuesta de solución
El aparato no funciona, el LED no se ilumina.	No se ha detectado ninguna tensión en la fuente de alimentación de corriente continua.	En la mayoría de los vehículos, la ignición debe estar encendida antes de alimentar corriente a la caja de enchufe de CC.
	La caja de enchufe de tensión alterna no conduce tensión.	Inténtelo en otra toma.
	El fusible del aparato está averiado.	Cambie el fusible del aparato, véase capítulo "Cambiar el fusible de corriente alterna (CF 35, CF 40, CF 50)" en la página 72.
	El adaptador de la fuente de alimentación integrado está averiado.	Solo un servicio de atención al cliente autorizado puede realizar la reparación.
El aparato no enfría (la clavija está conectada, el LED "POWER" se ilumina).	Compresor averiado.	Solo un servicio de atención al cliente autorizado puede realizar la reparación.
El aparato no enfría (el enchufe está enchufado, el LED "POWER" parpadea en naranja, la pantalla está desconectada).	El modo del controlador de la batería es demasiado alto	Ajuste el controlador de la batería a un modo más bajo.
	La tensión de batería no es suficiente.	Compruebe la batería y cárguela si fuera necesario.

Avería	Posible causa	Propuesta de solución
<p>Funcionamiento con conexión a la toma de corriente continua: El encendido está conectado, pero el aparato no funciona y el LED no está iluminado.</p>	<p>La caja de enchufe de corriente continua está sucia. En consecuencia, el contacto eléctrico es defectuoso.</p>	<p>Si la clavija se calienta demasiado en la caja de enchufe de CC, puede que sea necesario limpiar la caja de enchufe de CC o que la clavija no se haya montado correctamente.</p>
	<p>El fusible del enchufe de corriente continua está fundido.</p>	<p>Cambie el fusible en la clavija de corriente continua, véase capítulo “Cambiar el fusible de la clavija (corriente continua)” en la página 72.</p>
	<p>Se ha fundido el fusible del vehículo.</p>	<p>Cambie el fusible de la caja de enchufe de corriente continua del vehículo. Consulte para ello las instrucciones de uso del vehículo.</p>
<p>La pantalla muestra un mensaje de error (p. ej. “Err1”) y el aparato no enfría.</p>	<p>El aparato se ha apagado por un fallo interno.</p>	<p>Solo un servicio de atención al cliente autorizado puede realizar la reparación.</p>
<p>La iluminación interior de un compartimento parpadea.</p>	<p>La tapa del compartimiento se dejó abierta durante más de tres minutos.</p>	<p>Cierre la tapa del compartimiento.</p>


11 Gestión de residuos


- Deseche el material de embalaje en el contenedor de reciclaje correspondiente.




Cuando vaya a desechar definitivamente el producto, infórmese en el centro de reciclaje más cercano o en un comercio especializado sobre las normas pertinentes de eliminación de materiales.

12 Datos técnicos

	CF18	CF25
Tensión de conexión:	12/24 V $\overline{=}$	
Corriente nominal		
– 12 V $\overline{=}$:	7,0 A	7,0 A
– 24 V $\overline{=}$:	3,0 A	3,0 A
– 120 V \sim :	–	–
Potencia de refrigeración:	+10 °C a –18 °C (+50 °F a +0.4 °F)	
Capacidad útil:	18 l (0,64 ft ³ .)	23 l (0,82 ft ³ .)
Clase climática:	N, ST, T	
Temperatura ambiente:	18 °C a 43 °C (+50 °F a 109,4 °F)	
Emisión de ruido:	–	
Cantidad de refrigerante:	38 g (1,34 oz.)	40 g (1,41 oz.)
Equivalente de CO ₂ :	0,054 t (119,05 lb.)	0,057 t (125,66 lb.)
Índice GWP:	1430	
Dimensiones (B x H x T) en mm (in.):	300 x 414 x 465 (11,81 x 16,30 x 18,31)	260 x 425 x 550 (10,24 x 16,73 x 21,65)
Peso:	12 kg (26,46 lb.)	12,7 kg (28 lb.)
Inspección/certificados:		

	CF35	CF40
Tensión de conexión:	12/24 V \equiv y 120 V \sim	
Corriente nominal		
- 12 V \equiv :	7,0 A	
- 24 V \equiv :	3,0 A	
- 120 V \sim :	1,4 A	
Potencia de refrigeración:	+10 °C a -18 °C (+50 °F a +0.4 °F)	
Capacidad útil:	31 l (1,1 ft3.)	36 l (1,3 ft3.)
Clase climática:	N, ST, T	
Temperatura ambiente:	18 °C a 43 °C (+50 °F a 109,4 °F)	
Emisión de ruido:	45 dB(A)	
Cantidad de refrigerante:	42 g (1,48 oz.)	
Equivalente de CO ₂ :	0,060 t (132,28 lb.)	
Índice GWP:	1430	
Dimensiones (B x H x T) en mm (in.):	360 x 385 x 580 (14,17 x 15,16 x 22,83)	360 x 445 x 580 (14,17 x 17,52 x 22,83)
Peso:	15,5 kg (34,61 lb.)	17,2 kg (37,92 lb.)
Inspección/certificados:	 UL US N.º archivo: SA12891 LISTED	

	CF50
Tensión de conexión:	12/24 V \equiv y 120 V \sim
Corriente nominal	
– 12 V \equiv :	7,0 A
– 24 V \equiv :	3,0 A
– 120 V \sim :	1,4 A
Potencia de refrigeración:	+10 °C a -18 °C (+50 °F a +0.4 °F)
Capacidad útil:	47 l (1,7 ft ³ .)
Clase climática:	N, ST, T
Temperatura ambiente:	18 °C a 43 °C (+64,4 °F a 109,4 °F)
Emisión de ruido:	45 dB(A)
Cantidad de refrigerante:	45 g (1,59 oz.)
Equivalente de CO ₂ :	0,064 t (141,1 lb.)
Índice GWP:	1430
Dimensiones (B x H x T) en mm (in.):	360 x 480 x 630 (14,17 x 18,9 x 24,8)
Peso:	18 kg (39,68 lb.)
Inspección/certificados:	 N.º archivo: SA12891



NOTA

Si la temperatura ambiente es mayor de 32 °C (90 °F), no se puede alcanzar la temperatura mínima.

El circuito de refrigeración contiene R134a.

Contiene gases de efecto invernadero fluorados

Aparato sellado herméticamente

Por favor, leia atentamente este manual antes da colocação em funcionamento do aparelho e guarde-o em local seguro. Em caso de revenda do aparelho, entregue o manual ao novo comprador.

O fabricante não se responsabiliza por danos resultantes de uma **utilização inadequada** ou de uma **operação incorrecta**.

Índice

1	Explicação dos símbolos	80
2	Indicações de segurança	80
2.1	Segurança geral.	80
2.2	Segurança durante a utilização do aparelho	82
3	Material fornecido	83
4	Acessórios	83
5	Utilização adequada	84
6	Descrição do funcionamento	84
6.1	Âmbito de funções	85
6.2	Elementos de comando e de indicação.	86
7	Operação	88
7.1	Antes da primeira utilização	88
7.2	Sugestões para poupar energia	89
7.3	Conectar a geleira	89
7.4	Utilizar o monitorizador da bateria	92
7.5	Utilizar a geleira	93
7.6	Regular a temperatura	95
7.7	Desligar a geleira	95
7.8	Descongelar a geleira	96
7.9	Substituição do fusível de corrente alternada (CF35, CF40, CF50)	96
7.10	Substituir o fusível da ficha (corrente contínua)	97
7.11	Substituir a lâmpada (CF25, CF35, CF40, CF50)	97
8	Limpeza e manutenção	98
9	Garantia	98

10	Resolução de falhas	99
11	Eliminação	100
12	Dados técnicos	101

1 Explicação dos símbolos



PERIGO!

Indicação de segurança: o incumprimento causa a morte ou ferimentos graves.



AVISO!

Indicação de segurança: o incumprimento pode provocar a morte ou ferimentos graves.



PRECAUÇÃO!

Indicação de segurança: o incumprimento pode provocar ferimentos.



NOTA!

O incumprimento pode causar danos materiais e pode prejudicar o funcionamento do produto.



OBSERVAÇÃO

Informações suplementares sobre a operação do produto.

2 Indicações de segurança

2.1 Segurança geral



AVISO!

- Quando o aparelho apresentar danos visíveis, ele não deve ser colocado em funcionamento.
- Quando o cabo de conexão for danificado, o mesmo tem de ser substituído pelo fabricante, pela sua assistência técnica ou por uma pessoa com qualificações equivalentes para evitar perigos.

- As reparações neste aparelho apenas devem ser realizadas por técnicos especializados. As reparações inadequadas podem provocar perigos substanciais.
- Este aparelho pode ser utilizado por crianças a partir dos 8 anos, assim como por pessoas com capacidades físicas, sensoriais ou mentais reduzidas e/ou com insuficiente experiência e conhecimento, quando supervisionadas ou quando tenham recebido informação acerca da utilização segura do aparelho e tenham compreendido os perigos dele resultantes.
- A limpeza e a manutenção por parte do utilizador não podem ser efetuadas por crianças sem supervisão.
- As crianças não podem brincar com o aparelho.
- As crianças devem ser supervisionadas para garantir que não brincam com o aparelho.
- Guarde e utilize o aparelho fora do alcance de crianças com idade inferior a 8 anos.
- Não guarde as substâncias com risco de explosão, como p.ex. latas de spray com gás carburante inflamável, no aparelho.



PRECAUÇÃO!

- Separe o aparelho da rede
 - antes de cada limpeza e conservação
 - após cada utilização
- Os géneros alimentícios apenas podem ser armazenados nas embalagens originais ou recipientes adequados.



NOTA!

- Compare a indicação da tensão na placa de características com a alimentação de energia existente.
- Conecte o aparelho apenas do seguinte modo:
 - com o cabo de ligação DC à tomada de bordo DC no veículo.
 - ou com o cabo de ligação de AC à rede de corrente alternada
- Nunca retire a ficha da tomada eléctrica puxando pelo cabo de conexão.
- Se a geleira estiver ligada à tomada DC: Desconecte a sua geleira e outros consumidores da bateria antes de conectar um carregador rápido.
- Se a geleira estiver ligada à tomada DC: Separe a ligação ou desligue a geleira se desligar o motor. Caso contrário, a bateria pode ficar descarregada.

- A geleira não é adequada para o transporte de substâncias corrosivas ou substâncias com solventes.
- Este aparelho contém ciclopentano inflamável no isolamento. Os gases no material de isolamento requerem um processo de eliminação especial. No final da sua vida útil, entregue o aparelho num ponto de eliminação apropriado.

2.2 Segurança durante a utilização do aparelho



PRECAUÇÃO!

- Antes da colocação em funcionamento, tenha atenção para que o cabo de conexão e a ficha estejam secos.



NOTA!

- Não utilize aparelhos eléctricos dentro da geleira, excepto se estes aparelhos tiverem sido recomendados pelo fabricante.
- Não coloque o aparelho na proximidade de chamas abertas ou outras fontes de calor (aquecimento, radiação solar intensa, fogões a gás, etc.).
- **Perigo de sobreaquecimento!**
Tenha sempre atenção para que o calor gerado durante o funcionamento possa ser dissipado adequadamente. Certifique-se de que o aparelho está posicionado com uma distância suficiente em relação a paredes ou objectos de modo a que o ar possa circular livremente.
- Tenha atenção para que as aberturas de ventilação não sejam cobertas.
- Não verta líquidos ou gelo para dentro do recipiente interior.
- Nunca mergulhe o aparelho em água.
- Proteja o aparelho e os cabos do calor e da humidade.

3 Material fornecido

Pos. Na fig. 1, página 3	Quant.	Designação
1	1	Geleira
2	1	Cabo de conexão para ligação de 12/24 V===
3	1	Apenas CF 35, CF 40, CF 50 Cabo de conexão para ligação de 120 V~
4	2	Apenas CF 35, CF 40, CF 50 Pega constituída por: – 2 suportes – 1 punho – 4 parafusos de fixação
–	1	Manual de instruções

4 Acessórios

Disponível como acessório (não incluído no material fornecido):

Designação	N.º ref.
Bolsa térmica para CF18	9600003792
Bolsa térmica para CF25	9600003793
Bolsa térmica para CF35	9600003794
Bolsa térmica para CF40	9600003795
Bolsa térmica para CF50	9600003796

Em caso de dúvidas quanto a acessórios, entre em contacto com o seu parceiro de assistência técnica.

5 Utilização adequada

A geleira é adequada para refrigerar e congelar géneros alimentícios.

A geleira está concebida para a operação:

- numa rede de corrente contínua de um veículo, embarcação ou autocaravana
- com uma bateria de alimentação de corrente contínua
- numa rede de corrente alternada (CF 35, CF 40, CF 50)

Para utilizar os modelos CF18, CF25 com 120 V~ precisa de um retificador de energia CA/CC (acessório).



PRECAUÇÃO! Risco para a saúde!

Por favor, verifique se a potência de refrigeração do aparelho cumpre os requisitos dos géneros alimentícios ou dos medicamentos que pretende refrigerar.

6 Descrição do funcionamento

A geleira permite refrigerar ou congelar géneros alimentícios. Um sistema de refrigeração rápido e eficiente com um compressor e um módulo de controlo proporciona um desempenho de refrigeração que não necessita de manutenção.

A geleira foi concebida para utilização móvel e pode ser transportada utilizando um suporte de transporte dobrável (CF18), duas pegas (CF25) ou duas pegas amovíveis (CF35, CF40, CF50).

A geleira pode ser exposta a uma inclinação temporária de 30°, por exemplo, durante a utilização em embarcações.

6.1 Âmbito de funções

	CF18	CF25	CF35, CF40, CF50
Fonte de alimentação com ligação prioritária para ligação à alimentação de corrente	-	-	●
Monitorizador da bateria para proteger a bateria do veículo	Nível 2	Nível 3	
Modo turbo para uma refrigeração rápida	-	●	●
Mostrador com indicação da temperatura (desliga automaticamente em caso de uma tensão da bateria baixa)	-	●	●
Regulação da temperatura	botão rotativo	dois botões em intervalos de 1 °C (2 °F)	
Pegas amovíveis	-	-	●

6.2 Elementos de comando e de indicação

CF25, CF35, CF40

Bloqueio da tampa (fig. **2** 1, página 3)

CF18

Painel de controlo e tomada de ligação (fig. **3**, página 3)

n.º	Designação	Explicação
1	TEMPERATUR	Regulador de temperatura, temperatura de refrigeração nas posições finais: COLD: +10 °C (+50 °F) FREEZE: -18 °C (0 °F)
2	POWER	Indicação de funcionamento LED acende a verde: o aparelho está ligado e operacional LED acende a amarelo: a temperatura regulada foi alcançada
3	ERROR	LED pisca a vermelho: o aparelho está ligado, mas não está operacional
4	BATTERY MONITOR	Interruptor de ligação/monitorizador da bateria: 0: o aparelho está desligado HIGH: o aparelho está ligado, o monitorizador da bateria está no modo HIGH LOW: o aparelho está ligado, o monitorizador da bateria está no modo LOW
5	12/24 V $\overline{=}$	Tomada de ligação da alimentação de tensão contínua

CF25, CF35, CF40, CF50

Painel de controlo (fig. **4**, página 4)

n.º	Designação	Explicação
1	ON (Ligado) OFF (Desligado)	Liga ou desliga a geleira quando o botão é pressionado durante um a dois segundos
2	POWER	Indicação de funcionamento LED acende a verde: o compressor está ligado LED acende a laranja: o compressor está desligado LED pisca a laranja: o monitor foi automaticamente desligado devido a tensão da bateria baixa
3	ERROR	LED pisca a vermelho: o aparelho está ligado, mas não está operacional
4	SET	Seleciona o modo de introdução – Regulação da temperatura – Apresentação em graus Centígrados ou Fahrenheit – Definição do monitorizador da bateria
5	–	Mostrador, indica os valores
6	UP +	Tocar uma vez para aumentar o valor introduzido
7	DOWN –	Tocar uma vez para reduzir o valor introduzido

CF25

Tomadas de ligação (fig. **5**, página 4)

n.º	Designação
1	Tomada de ligação da alimentação de tensão contínua

CF35, CF40, CF50

Tomadas de ligação (fig. **6**, página 4)

n.º	Designação
1	Tomada de ligação da alimentação de tensão alternada
2	Porta-fusíveis
3	Tomada de ligação da alimentação de tensão contínua

7 Operação

7.1 Antes da primeira utilização



OBSERVAÇÃO

Por razões de higiene, antes de colocar a nova geleira em funcionamento deverá limpar o interior e o exterior com um pano húmido (ver também capítulo “Limpeza e manutenção” na página 98).

Colocação das pegas (CF35, CF40, CF50)

As pegas são fornecidas desmontadas. Se pretender montar as pegas, proceda do seguinte modo:

- ▶ encaixe juntamente dois suportes (fig. **7** 1, página 4) e um punho (fig. **7** 2, página 4) para cada pega.
- ▶ aperte os parafusos fornecidos nos orifícios existentes.

Inverter o encosto das tampas (CF50)

É possível inverter o encosto da tampa se pretender abrir a tampa para o outro lado. Proceda da seguinte forma:

- ▶ abra a tampa e puxe-a para fora (fig. **8** A, página 5).
- ▶ rode a tampa.
- ▶ encaixe a tampa nos respetivos apoios localizados no lado oposto da geleira (fig. **8** B, página 5).

Selecionar as unidades de temperatura (CF25, CF35, CF40, CF50)

Poderá selecionar a indicação de temperatura entre graus Centígrados e Fahrenheit. O procedimento é o seguinte:

- ▶ ligue a geleira.
 - ▶ prima duas vezes o botão “SET” (fig. **4** 4, página 4).
 - ▶ regule a temperatura de refrigeração com os botões “UP +” (fig. **4** 6, página 4) e “DOWN -” (fig. **4** 7, página 4) para selecionar graus Centígrados ou Fahrenheit.
- ✓ O mostrador indica, durante alguns segundos, a unidade de temperatura que foi regulada. O mostrador pisca algumas vezes antes de voltar a apresentar a temperatura atual.

7.2 Sugestões para poupar energia

- Escolha um local de utilização bem arejado e protegido de raios solares.
- Primeiro, deixe as refeições quentes arrefecer antes de as manter frescas.
- Não abra a geleira mais do que as vezes necessárias.
- Não deixe a geleira aberta mais tempo do que o necessário.
- Descongele a geleira logo que se tenha formado uma camada de gelo.
- Evite uma temperatura interior desnecessariamente baixa.

7.3 Conectar a geleira

Extensão de corrente alternada



AVISO!

Devido a potenciais riscos de segurança em determinadas condições, o fabricante recomenda expressamente que não sejam utilizadas extensões. No entanto, se precisar de utilizar uma extensão, é indispensável que utilize uma extensão para eletrodomésticos certificada pela UL (nos Estados Unidos) ou certificada pela CSA (no Canadá), com classificação elétrica de 10 A (mínimo) e 120 V.



PRECAUÇÃO!

- Não deve em **nenhuma circunstância** tentar juntar extensões.
- **Não** utilize distribuidores adicionais ou derivadores de duas saídas.
- Desenrole sempre extensões eventualmente utilizadas para evitar acumulação de calor ou que derretam.

- Selecione uma extensão para utilização ao ar livre, certificada pela UL/CSA de 120 V~/≥ 10 A, de acordo com a seguinte tabela:

120 V~	Comprimento máximo do cabo			
	10 ft (3 m)	25 ft (7,6 m)	50 ft (15,2 m)	100 ft (30,5 m)
Fios condutores	3	3	3	3
AWG	14 (1,6 mm ²)	12 (2 mm ²)	12 (2 mm ²)	12 (2 mm ²)

Extensão de corrente contínua



PRECAUÇÃO!

- O fabricante **não** recomenda a utilização de nenhum tipo de extensão de corrente contínua.
- Não deve em **nenhuma circunstância** tentar juntar extensões.
- **Não** utilize distribuidores adicionais ou derivadores de duas saídas.
- Desenrole sempre extensões eventualmente utilizadas para evitar acumulação de calor ou que derretam.

- Selecione uma extensão para utilização em automóveis de 12 V/24 V \equiv /≥ 10 A, de acordo com a seguinte tabela:

Comprimento máximo do cabo				
12 V\equiv	3 ft (0,9 m)	6 ft (1,8 m)	10 ft (3 m)	12 ft (3,7 m)
24 V\equiv	6 ft. (1,8 m)	10 ft. (3 m)	15 ft. (4,6 m)	25 ft. (7,6 m)
AWG	14 (1,6 mm ²)	12 (2 mm ²)	10 (2,6 mm ²)	8 (3,3 mm ²)

Ligar a uma bateria (carro ou barco)

A geleira pode funcionar com 12 V \equiv ou 24 V \equiv .



NOTA! Perigo de danos!

Desligue a geleira e outros consumidores da bateria antes de carregar a mesma com um carregador rápido.

As sobretensões podem danificar o sistema eletrónico dos aparelhos.

Para efeitos de segurança, a geleira está equipada com uma proteção eletrónica contra a inversão da polaridade quando é ligada à bateria e que também protege a geleira contra curto-circuitos.

Utilizar o cabo de conexão de corrente contínua com fusível



NOTA! Perigo de danos!

Para proteger o aparelho, a ficha do cabo de conexão de corrente contínua fornecido está equipada com um fusível. **Não** remova a ficha de corrente contínua protegida.

Utilize exclusivamente o cabo de conexão de corrente contínua fornecido.

- ▶ Insira o cabo de conexão de corrente contínua (fig. **1** 2, página 3) à tomada de tensão em corrente contínua da geleira (fig. **5** 1, página 4/fig. **6** 3, página 4).
- ▶ Ligue o cabo de alimentação à tomada de corrente contínua.

Ligação a uma fonte de alimentação de corrente alternada (por exemplo no escritório ou em casa) (CF35, CF40, CF50)



PERIGO! Perigo devido a choque elétrico!

- Nunca manipule as fichas e os interruptores quando tiver as mãos molhadas ou quando tiver os pés em pavimento molhado.
- Se estiver a utilizar a geleira a bordo de um barco com ligação a uma rede de corrente alternada de 120 V~, deverá sempre instalar um disjuntor diferencial entre a fonte de alimentação de corrente alternada de 120 V e a geleira.
Solicite o parecer de um técnico especializado.

As geleiras possuem abastecimento integrado de múltiplas tensões com sistema de ligação prioritária a uma fonte de tensão de corrente alternada. O sistema de ligação prioritária comuta automaticamente o aparelho para o funcionamento com a rede elétrica, se o aparelho estiver ligado a uma fonte de alimentação de corrente alternada, mesmo se o cabo de conexão de CC ainda estiver conectado.

Ao comutar entre a alimentação de corrente alternada e a alimentação por bateria, o LED vermelho pode ficar aceso por alguns minutos.

- ▶ Ligue o cabo de alimentação de corrente alternada (fig. **1** 3, página 3) à tomada de tensão em corrente alternada da geleira (fig. **6** 1, página 4).
- ▶ Ligue o cabo de alimentação à tomada de corrente alternada.

7.4 Utilizar o monitorizador da bateria

O aparelho está equipado com um monitorizador de bateria com vários níveis que protege a bateria do veículo contra uma descarga profunda ao ser ligada ao sistema elétrico de bordo de CC.

Se a geleira for operada com a ignição do veículo desligada, a geleira desliga-se automaticamente logo que a tensão de alimentação desça abaixo de um valor previamente definido. A geleira liga-se novamente assim que a tensão de reativação for alcançada através do carregamento da bateria.



NOTA! Perigo de danos!

Quando desligada pelo monitorizador da bateria, a bateria já não terá a capacidade de carga completa. Evite ligar e desligar sucessivamente o motor do veículo durante a utilização da geleira em ambientes automóveis. Permita que a bateria do veículo recarregue antes de ligar a geleira.

No modo "HIGH", o monitorizador da bateria é mais rapidamente ativado do que nos níveis "LOW" e "MED" (ver seguinte tabela).

Modo do monitorizador da bateria	CF18		CF25, CF35, CF40, CF50		
	LOW	HIGH	LOW	MED	HIGH
Tensão de desconexão a 12 V	10,4 V	11,5 V	10,1 V	11,4 V	11,8 V
Tensão de reativação a 12 V	11,5 V	12,5 V	11,1 V	12,2 V	12,6 V
Tensão de desconexão a 24 V	22,1 V	24,0 V	21,5 V	24,1 V	24,6 V
Tensão de reativação a 24 V	23,6 V	25,4 V	23,0 V	25,3 V	26,2 V

Selecionar o modo do monitorizador da bateria (CF25, CF35, CF40, CF50)

- ▶ Ligue a geleira.
- ▶ Prima três vezes o botão "SET" (fig. 4 4, página 4).
- ▶ Com os botões "UP +" (fig. 4 6, página 4) e "DOWN -" (fig. 4 7, página 4) regule o modo do monitorizador da bateria.
- ✓ O mostrador indica, durante alguns segundos, o modo ajustado. O mostrador pisca algumas vezes antes de voltar a apresentar a temperatura atual.

**OBSERVAÇÃO**

Se a geleira for alimentada pela bateria de arranque, selecione o modo do monitorizador da bateria "HIGH". Se a geleira estiver conectada a uma bateria de alimentação, é suficiente o modo do monitorizador da bateria "LOW".

Quando pretender operar a geleira através de uma fonte de alimentação de corrente alternada, regule o monitorizador da bateria para a posição "LOW".

7.5 Utilizar a geleira

**NOTA! Perigo de sobreaquecimento!**

Certifique-se de que existe sempre ventilação suficiente para que o calor gerado durante o funcionamento possa ser dissipado. Tenha atenção para que as aberturas de ventilação não fiquem cobertas. A geleira TEM QUE manter um nível MÍNIMO de 51 mm (2 polegadas) de distância em relação a paredes ou superfícies semelhantes que possam impedir os importantes requisitos de circulação de ar da refrigeração.

- ▶ Coloque a geleira sobre uma superfície estável. Tenha atenção para que as aberturas de ventilação não fiquem cobertas e o ar aquecido possa sair adequadamente.

**OBSERVAÇÃO**

Coloque a geleira como ilustrado (fig. **1**, página 3). Se colocar a geleira em funcionamento noutra posição, pode danificá-la.

- ▶ Feche a geleira, ver capítulo "Conectar a geleira" na página 89.

**OBSERVAÇÃO**

Quando pretender operar a geleira através de uma fonte de alimentação de corrente alternada, regule o monitorizador da bateria para a posição "LOW".

**NOTA! Perigo devido a temperatura demasiado baixa!**

Certifique-se de que na geleira apenas se encontram objetos ou produtos que possam ser refrigerados à temperatura selecionada.

CF18

- ▶ Quando fornecer energia a partir da fonte de alimentação de corrente contínua do seu veículo, coloque o interruptor de corrediça (fig. **3** 4, página 3) na posição "HIGH".
- ▶ Quando fornecer energia a partir de uma fonte de alimentação de corrente contínua externa, coloque o interruptor de corrediça (fig. **3** 4, página 3) na posição "LOW".
- ✓ O LED "POWER" acende a verde.
- ✓ A geleira inicia a refrigeração do interior.
- ✓ Quando a temperatura regulada é alcançada, o LED "POWER" acende a amarelo.

CF25, CF35, CF40, CF50

- ▶ Prima o botão "ON/OFF" (fig. **4** 1, página 4) durante um a dois segundos.
- ✓ O LED "POWER" acende.
- ✓ O mostrador (fig. **4** 5, página 4) liga-se e indica a temperatura de refrigeração atual.

**OBSERVAÇÃO**

A temperatura apresentada é a do interior no centro. A temperatura pode apresentar desvios em outros locais.

- ✓ A geleira inicia a refrigeração do interior.

**OBSERVAÇÃO**

Ao funcionar com a bateria, o visor desliga-se automaticamente se a tensão da bateria for baixa. O LED "POWER" pisca a laranja.

Bloquear a geleira (CF35, CF40)

- ▶ Feche a tampa.
- ▶ Pressione o bloqueio (fig. **2** 1, página 3) para baixo até ele engrenar de forma audível.

7.6 Regular a temperatura

CF18

- Regular a temperatura de refrigeração com o regulador de temperatura (fig. **3** 1, página 3).

CF25, CF35, CF40, CF50

- Prima uma vez o botão "SET" (fig. **4** 4, página 4).
- Regule a temperatura de refrigeração com os botões "UP +" (fig. **4** 6, página 4) ou "DOWN –" (fig. **4** 7, página 4).
- ✓ O mostrador indica, durante alguns segundos, a temperatura de refrigeração. O mostrador pisca algumas vezes e, em seguida, é novamente exibida a temperatura atual.

7.7 Desligar a geleira

- Esvazie a geleira.
- Desligue a geleira.
- Retire os cabos de conexão.

Se não pretender utilizar a geleira durante um período de tempo mais prolongado:

- Deixe a tampa ligeiramente aberta. Deste modo, evita a formação de odores.

7.8 Descongelar a geleira

A humidade do ar pode formar gelo no interior da geleira ou no vaporizador. Deste modo, é reduzida a potência de refrigeração. Descongele o aparelho atempadamente.



NOTA! Perigo de danos!

Nunca utilize ferramentas duras ou pontiagudas para retirar as camadas de gelo ou para libertar objetos congelados.

Proceda do seguinte modo para descongelar a geleira:

- Remova os produtos do interior da geleira.
- Se necessário, guarde-os num outro aparelho de refrigeração para que permaneçam refrigerados.
- Desligue o aparelho.
- Deixe a tampa aberta.
- Limpe a água de descongelação.

7.9 Substituição do fusível de corrente alternada (CF35, CF40, CF50)



PERIGO! Perigo devido a choque elétrico!

Antes da substituição do fusível do aparelho, retire o cabo de conexão.

- Retire os cabos de conexão das tomadas.
- Retire o encaixe do fusível (fig. **6** 2, página 4), com uma chave de parafusos.
- Substitua o fusível queimado por um fusível novo com a mesma especificação (T4AL 250 V).
- Volte a pressionar o encaixe do fusível para dentro da caixa.

7.10 Substituir o fusível da ficha (corrente contínua)

- Retire a bucha compensadora (fig. **9** 4, página 5) da ficha.
- Desaperte o parafuso (fig. **9** 5, página 5) da metade superior da caixa (fig. **9** 1, página 5).
- Levante cuidadosamente a metade superior da caixa da metade inferior (fig. **9** 6, página 5).
- Retire o pino de contacto (fig. **9** 3, página 5).
- Substitua o fusível defeituoso (fig. **9** 2, página 5) por um novo do mesmo tipo e com a mesma especificação (3AG, ação rápida, 10 A).
- Volte a montar a ficha na ordem inversa.

7.11 Substituir a lâmpada (CF25, CF35, CF40, CF50)

- Pressione o pino de ligação (fig. **10** 2, página 5) para baixo de modo a que a parte transparente (fig. **10** 1, página 5) da lâmpada possa ser retirada pela parte da frente.
- Substitua a lâmpada.



OBSERVAÇÃO

Os LED da lâmpada têm de estar alinhados com a parte transparente da lâmpada.

- Volte a colocar a parte transparente da lâmpada na caixa.

8 Limpeza e manutenção

**AVISO!**

Antes de cada limpeza e conservação, separe o aparelho da rede.

**NOTA! Perigo de danos!**

- Nunca limpe a geleira debaixo de água corrente nem dentro de água de lavar a loiça.
- Não utilize produtos de limpeza abrasivos ou objectos duros para a limpeza, uma vez que podem danificar a geleira.

- De vez em quando, limpe o interior e o exterior do aparelho com um pano húmido.
- Certifique-se que as aberturas de ventilação e extracção de ar do aparelho estão livres de pó e sujidade para que, durante o funcionamento, o ar quente possa ser extraído e o aparelho não seja danificado.

9 Garantia

É válido o prazo de garantia legal. Se o produto estiver com defeito, por favor, dirija-se à representação do fabricante no seu país (endereços, ver verso do manual) ou ao seu revendedor.

Para fins de reparação ou de garantia, terá de enviar os seguintes documentos em conjunto:

- uma cópia da factura com a data de aquisição,
- um motivo de reclamação ou uma descrição da falha.

10 Resolução de falhas

Falha	Possível causa	Sugestão de resolução
O aparelho não funciona, o LED não acende.	Não foi detetada tensão na fonte de corrente contínua.	Na maioria dos veículos, a ignição tem que ser ligada antes de ser possível fornecer energia à tomada de corrente contínua.
	A tomada de corrente alternada não conduz tensão.	Tente novamente noutra tomada.
	O fusível do aparelho está queimado.	Substitua o fusível do aparelho, ver capítulo "Substituição do fusível de corrente alternada (CF35, CF40, CF50)" na página 96.
	O adaptador da fonte de alimentação integrada está avariado.	A reparação apenas pode ser realizada por um serviço de assistência técnica autorizado.
O aparelho não refrigera (ficha inserida na tomada, LED "POWER" acende).	Compressor avariado.	A reparação apenas pode ser realizada por um serviço de assistência técnica autorizado.
O aparelho não refrigera (ficha inserida na tomada, LED "POWER" pisca a laranja, mostrador desligado).	Modo do monitorizador da bateria demasiado alto.	Regule o monitorizador da bateria para um modo mais baixo.
	Tensão da bateria insuficiente.	Verifique a bateria e, se necessário, carregue-a.
Funcionamento na tomada de corrente contínua: a ignição está ligada, o aparelho não funciona e o LED não acende.	A tomada de corrente contínua está suja. Isto resulta num mau contacto elétrico.	Se a ficha da geleira ficar muito quente na tomada de corrente contínua, é necessário limpar a tomada ou é possível que a ficha não esteja montada corretamente.
	O fusível da ficha de corrente contínua está queimado.	Substitua o fusível da ficha de corrente contínua, ver capítulo "Substituir o fusível da ficha (corrente contínua)" na página 97.
	O fusível do veículo está queimado.	Substitua o fusível do veículo da tomada de corrente contínua. Consulte o manual de instruções do seu veículo.

Falha	Possível causa	Sugestão de resolução
O mostrador apresenta uma mensagem de erro (por exemplo "Err1") e o aparelho não refrigera.	Uma falha de funcionamento interna desligou o aparelho.	A reparação apenas pode ser realizada por um serviço de assistência técnica autorizado.
A iluminação interior de um compartimento pisca.	A tampa do compartimento foi deixada aberta durante mais de três minutos	Feche a tampa do compartimento.


11 Eliminação


- Sempre que possível, coloque o material de embalagem no respectivo contentor de reciclagem.




Para colocar o aparelho definitivamente fora de funcionamento, por favor, informe-se junto do centro de reciclagem mais próximo ou revendedor sobre as disposições de eliminação aplicáveis.

12 Dados técnicos

	CF18	CF25
Tensão de conexão:	12/24 V $\overline{\text{=}}$	
Corrente nominal		
– 12 V $\overline{\text{=}}$:	7,0 A	7,0 A
– 24 V $\overline{\text{=}}$:	3,0 A	3,0 A
– 120 V \sim :	–	–
Potência de refrigeração:	+10 °C a –18 °C (+50 °F a +0,4 °F)	
Capacidade útil:	18 l (0,64 pés cúbicos)	23 l (0,82 pés cúbicos)
Classe de climatização:	N, ST, T	
Temperatura ambiente:	18 °C a 43 °C (+50 °F a 109,4 °F)	
Emissões acústicas:	–	
Quantidade de agente de refrigeração:	38 g (1,34 oz.)	40 g (1,41 oz.)
Equivalente de CO ₂ :	0,054 t (119,05 lb.)	0,057 t (125,66 lb.)
Potencial de aquecimento global (GWP):	1430	
Dimensões (L x A x P) em mm (in.):	300 x 414 x 465 (11,81 x 16,30 x 18,31)	260 x 425 x 550 (10,24 x 16,73 x 21,65)
Peso:	12 kg (26,46 lb.)	12,7 kg (28 lb.)
Verificação/Certificados:		

	CF35	CF40
Tensão de conexão:	12/24 V \equiv e 120 V \sim	
Corrente nominal		
– 12 V \equiv :	7,0 A	
– 24 V \equiv :	3,0 A	
– 120 V \sim :	1,4 A	
Potência de refrigeração:	+10 °C a -18 °C (+50 °F a +0,4 °F)	
Capacidade útil:	31 l (1,1 pés cúbicos)	36 l (1,3 pés cúbicos)
Classe de climatização:	N, ST, T	
Temperatura ambiente:	18 °C a 43 °C (+50 °F a 109,4 °F)	
Emissões acústicas:	45 dB(A)	
Quantidade de agente de refrigeração:	42 g (1,48 oz.)	
Equivalente de CO ₂ :	0,060 t (132,28 lb.)	
Potencial de aquecimento global (GWP):	1430	
Dimensões (L x A x P) em mm (in.):	360 x 385 x 580 (14,17 x 15,16 x 22,83)	360 x 445 x 580 (14,17 x 17,52 x 22,83)
Peso:	15,5 kg (34,61 lb.)	17,2 kg (37,92 lb.)
Verificação/Certificados:	 Ficheiro n.º: SA12891	

	CF50
Tensão de conexão:	12/24 V $\overline{\text{---}}$ e 120 V \sim
Corrente nominal	
– 12 V $\overline{\text{---}}$:	7,0 A
– 24 V $\overline{\text{---}}$:	3,0 A
– 120 V \sim :	1,4 A
Potência de refrigeração:	+10 °C a -18 °C (+50 °F a +0,4 °F)
Capacidade útil:	47 l (1,7 pés cúbicos)
Classe de climatização:	N, ST, T
Temperatura ambiente:	18 °C a 43 °C (+64,4 °F a 109,4 °F)
Emissões acústicas:	45 dB(A)
Quantidade de agente de refrigeração:	45 g (1,59 oz.)
Equivalente de CO ₂ :	0,064 t (141,1 lb.)
Potencial de aquecimento global (GWP):	1430
Dimensões (L x A x P) em mm (in.):	360 x 480 x 630 (14,17 x 18,9 x 24,8)
Peso:	18 kg (39,68 lb.)
Verificação/Certificados:	 US Ficheiro n.º: SA12891 LISTED



OBSERVAÇÃO

Se a temperatura ambiente for superior a 32 °C (90 °F), não é possível atingir a temperatura mínima.

O circuito de refrigeração contém R134a.

Contém gases fluorados com efeito de estufa

Equipamento hermeticamente fechado

GERMANY**Dometic WAECO International GmbH**

Hollefeldstraße 63 · D-48282 Emsdetten
 ☎ +49 (0) 2572 879-0 · 📠 +49 (0) 2572 879-300
 Mail: info@dometic-waeco.de

dometic.com**AUSTRALIA****Dometic Australia Pty. Ltd.**

1 John Duncan Court
 Varsity Lakes QLD 4227
 ☎ 1800 212121
 📠 +61 7 55076001
 Mail: sales@dometic.com.au

AUSTRIA**Dometic Austria GmbH**

Neudorferstraße 108
 A-2353 Guntramsdorf
 ☎ +43 2236 908070
 📠 +43 2236 90807060
 Mail: info@dometic.at

BENELUX**Dometic Branch Office Belgium**

Zincstraat 3
 B-1500 Halle
 ☎ +32 2 3598040
 📠 +32 2 3598050
 Mail: info@dometic.be

BRAZIL**Dometic DO Brasil LTDA**

Avenida Paulista 1754, conj. 111
 SP 01310-920 Sao Paulo
 ☎ +55 11 3251 3352
 📠 +55 11 3251 3362
 Mail: info@dometic.com.br

DENMARK**Dometic Denmark A/S**

Nordensvej 15, Taulov
 DK-7000 Fredericia
 ☎ +45 75585966
 📠 +45 75586307
 Mail: info@dometic.dk

FINLAND**Dometic Finland OY**

Mestariitie 4
 FIN-01730 Vantaa
 ☎ +358 20 7413220
 📠 +358 9 7593700
 Mail: info@dometic.fi

FRANCE**Dometic SAS**

ZA du Pré de la Dame Jeanne
 B.P. 5
 F-60128 Pleilly
 ☎ +33 3 44633525
 📠 +33 3 44633518
 Mail: vehiculesdeloisirs@dometic.fr

HONG KONG**Dometic Group Asia Pacific**

Suites 2207-11 / 22/F - Tower 1
 The Gateway - 25 Canton Road,
 Tsim Sha Tsui - Kowloon
 ☎ +852 2 4611386
 📠 +852 2 4665553
 Mail: info@waeco.com.hk

HUNGARY**Dometic Zrt. Sales Office**

Kerekgyártó u. 5.
 H-1147 Budapest
 ☎ +36 1 468 4400
 📠 +36 1 468 4401
 Mail: budapest@dometic.hu

ITALY**Dometic Italy S.r.l.**

Via Virgilio, 3
 I-47122 Forlì (FC)
 ☎ +39 0543 754901
 📠 +39 0543 754983
 Mail: vendite@dometic.it

JAPAN**Dometic KK**

Maekawa-Shibaura, Bldg. 2
 2-13-9 Shibaura Minato-ku
 Tokyo 108-0023
 ☎ +81 3 5445 3333
 📠 +81 3 5445 3339
 Mail: info@dometic.jp

MEXICO**Dometic Mx, S. de R. L. de C. V.**

Circuito Médicos No. 6 Local 1
 Colonia Ciudad Satélite
 CP 53100 Naucalpan de Juárez
 Estado de México
 ☎ +52 55 5374 4108
 📠 +52 55 5393 4683
 Mail: info@dometic.com.mx

NETHERLANDS**Dometic Benelux B.V.**

Ecustraat 3
 NL-4879 NP Etten-Leur
 ☎ +31 76 5029000
 📠 +31 76 5029019
 Mail: info@dometic.nl

NEW ZEALAND**Dometic New Zealand Ltd.**

PO Box 12011
 Penrose
 Auckland 1642
 ☎ +64 9 622 1490
 📠 +64 9 622 1573
 Mail: customerservices@dometic.co.nz

NORWAY**Dometic Norway AS**

Østerøyveien 46
 N-3232 Sandefjord
 ☎ +47 33428450
 📠 +47 33428459
 Mail: firmapost@dometic.no

POLAND**Dometic Poland Sp. z o.o.**

Ul. Puławska 435A
 PL-02-801 Warszawa
 ☎ +48 22 414 3200
 📠 +48 22 414 3201
 Mail: info@dometic.pl

PORTUGAL**Dometic Spain, S.L.**

Branch Office em Portugal
 Rot. de São Gonçalo nº 1 – Esc. 12
 2775-399 Carcavelos
 ☎ +351 219 244 173
 📠 +351 219 243 206
 Mail: info@dometic.pt

RUSSIA**Dometic RUS LLC**

Komsomolskaya square 6-1
 RU-107140 Moscow
 ☎ +7 495 780 79 39
 📠 +7 495 916 56 53
 Mail: info@dometic.ru

SINGAPORE**Dometic Pte Ltd**

18 Boon Lay Way 06-140 Trade Hub 21
 Singapore 609966
 ☎ +65 6795 3177
 📠 +65 6862 6620
 Mail: dometic@dometic.com.sg

SLOVAKIA**Dometic Slovakia s.r.o. Sales Office Bratislava**

Nádražná 34/A
 900 28 Ivanka pri Dunaji
 ☎/📠 +421 2 45 529 680
 Mail: bratislava@dometic.com

SOUTH AFRICA**Dometic (Pty) Ltd.****Regional Office****South Africa & Sub-Saharan Africa**

2 Avalon Road
 West Lake View Ext 11
 Modderfontein 1645
 Johannesburg
 ☎ +27 11 4504978
 📠 +27 11 4504976
 Mail: info@dometic.co.za

SPAIN**Dometic Spain S.L.**

Avda. Sierra del Guadarrama, 16
 E-28691 Villanueva de la Cañada
 Madrid
 ☎ +34 91 833 60 89
 📠 +34 900 100 245
 Mail: info@dometic.es

SWEDEN**Dometic Scandinavia AB**

Gustaf Melins gata 7
 S-42131 Västra Frölunda
 ☎ +46 31 7341100
 📠 +46 31 7341101
 Mail: info@dometicgroup.se

SWITZERLAND**Dometic Switzerland AG**

Riedackerstrasse 7a
 CH-8153 Rümlang
 ☎ +41 44 8187171
 📠 +41 44 8187191
 Mail: info@dometic.ch

UNITED ARAB EMIRATES**Dometic Middle East FZCO**

P. O. Box 17860
 S-D 6, Jebel Ali Freezone
 Dubai
 ☎ +971 4 883 3858
 📠 +971 4 883 3868
 Mail: info@dometic.ae

UNITED KINGDOM**Dometic UK Ltd.**

Dometic House, The Brewery
 Blandford St. Mary
 Dorset DT11 9LS
 ☎ +44 344 626 0133
 📠 +44 344 626 0143
 Mail: customerservices@dometic.co.uk

USA**Dometic RV Division**

1120 North Main Street
 Elkhart, IN 46515
 ☎ +1 574-264-2131