

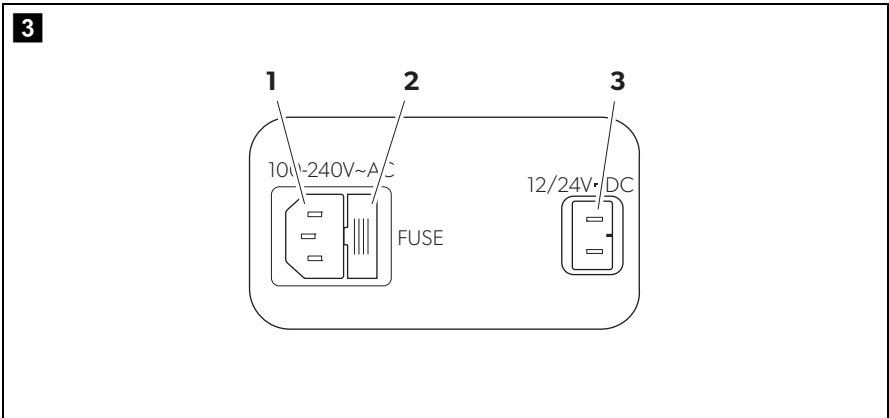
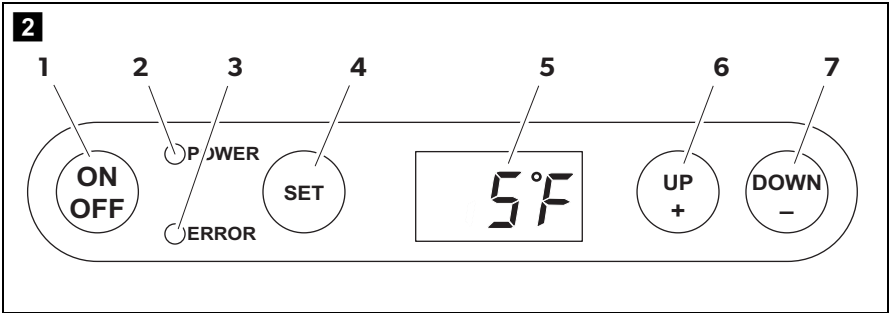
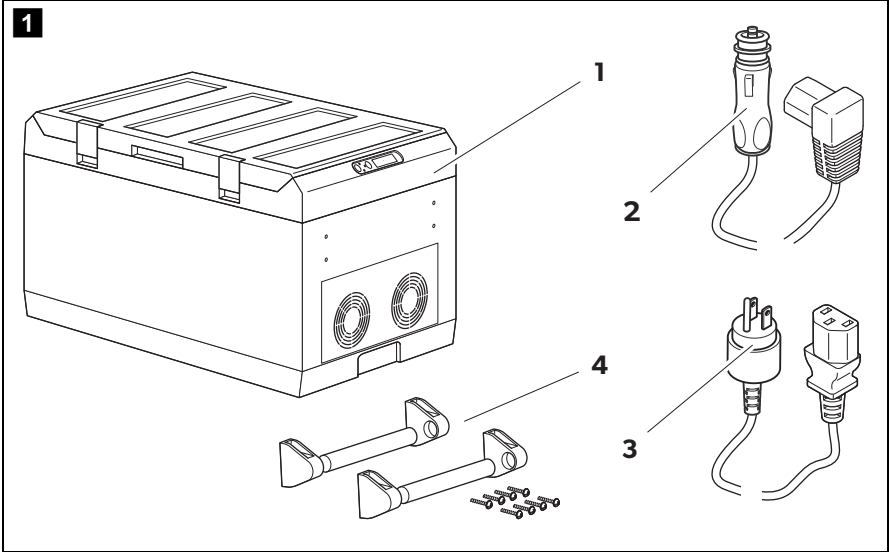


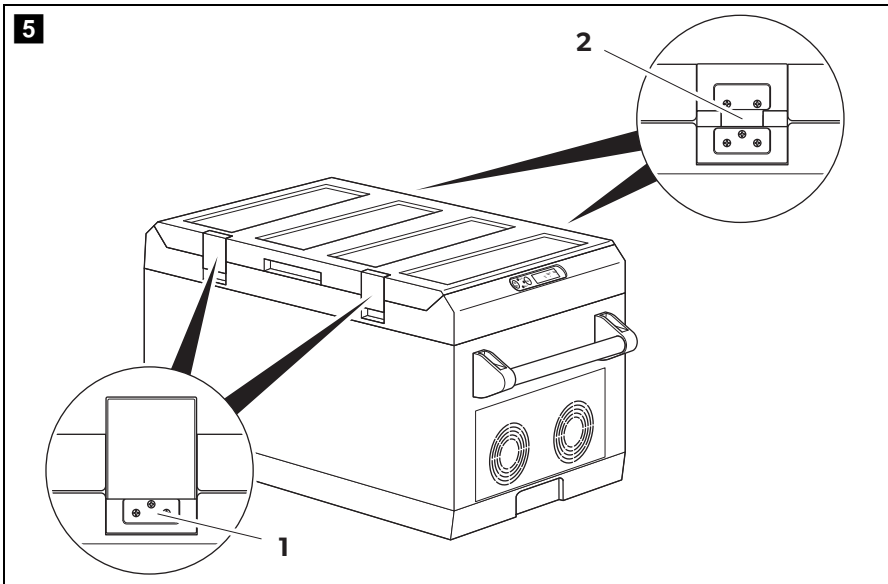
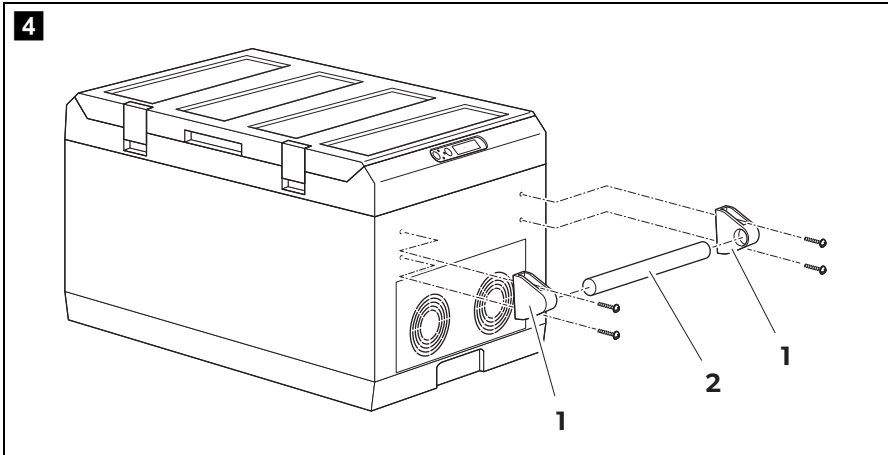
PORTABLE REFRIGERATION CF SERIES

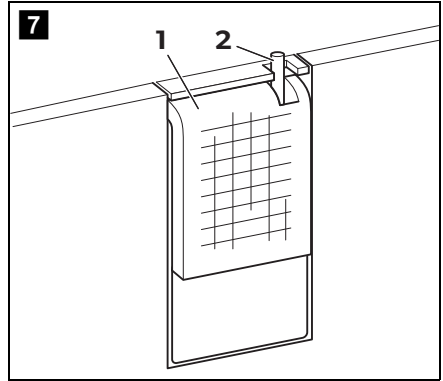
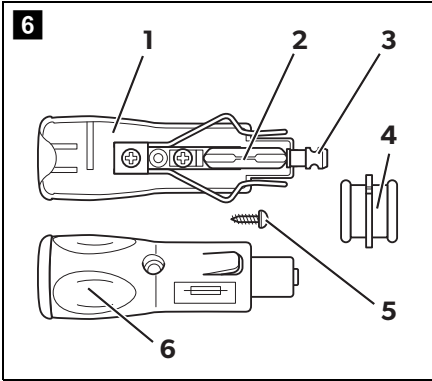


CF80, CF110

EN	Compressor Cooler Operating manual	6
FR	Glacière à compression Notice d'utilisation	25
ES	Nevera por compresor Instrucciones de uso	45
PT	Geleira com compressor Manual de instruções	65







Please read this operating manual carefully before starting the device. Keep it in a safe place for future reference. If the device is passed on to another person, this operating manual must be handed over to the user along with it.

The manufacturer cannot be held liable for damage resulting from **improper usage** or **incorrect operation**.

Contents

1	Explanation of symbols	7
2	Safety instructions	8
2.1	General safety	8
2.2	Operating the cooling device safely	9
3	Scope of delivery	10
4	Accessories	10
5	Intended use	10
6	Function description	11
6.1	Operating and display elements	12
6.2	Connections	12
7	Operation	13
7.1	Before initial use	13
7.2	Energy saving tips	14
7.3	Connecting the cooler	14
7.4	Using the battery monitor	17
7.5	Using the cooler	18
7.6	Setting the temperature	19
7.7	Switching off the cooler	19
7.8	Defrosting the cooler	19
7.9	Replacing the AC fuse	20
7.10	Replacing the DC plug fuse	20
7.11	Replacing the light bulb	20
8	Cleaning and maintenance	21
9	Guarantee	21

10	Troubleshooting	22
11	Disposal	23
12	Technical data	24

1 Explanation of symbols



DANGER!

Safety instruction: Failure to observe this instruction will cause fatal or serious injury.



WARNING!

Safety instruction: Failure to observe this instruction can cause fatal or serious injury.



CAUTION!

Safety instruction: Failure to observe this instruction can lead to injury.



NOTICE!

Failure to observe this instruction can cause material damage and impair the function of the product.



NOTE

Supplementary information for operating the product.

2 Safety instructions

2.1 General safety



WARNING!

- Do not operate the cooling device if it is visibly damaged.
- If this cooling device's power cable is damaged, it must be replaced by the manufacturer, customer service or a similarly qualified person in order to prevent safety hazards.
- This cooling device may only be repaired by qualified personnel. Improper repairs can lead to considerable hazards.
- This cooling device can be used by children aged 8 years or over, as well as by persons with diminished physical, sensory or mental capacities or a lack of experience and/or knowledge, providing they are supervised or have been taught how to use the cooling device safely and are aware of the resulting risks.
- Cleaning and user maintenance must not be carried out by children without supervision.
- Children must not play with the cooling device.
- Children must be supervised to ensure that they do not play with the cooling device.
- Always keep and use the cooling device out of the reach of children under the age of 8 years.
- Do not store any explosive substances such as spray cans with a flammable propellant in the cooling device.



CAUTION!

- Disconnect the cooling device from the power supply
 - before each cleaning and maintenance
 - after every use
- Food may only be stored in its original packaging or in suitable containers.



NOTICE!

- Check that the voltage specification on the type plate corresponds to that of the energy supply.
- Only connect the cooling device as follows:
 - With the DC connection cable to a DC power supply in the vehicle
 - Or with the AC connection cable to the AC power supply

- Never pull the plug out of the socket by the cable.
- If the cooling device is connected to the DC outlet: Disconnect the cooling device and other power consuming devices from the battery before connecting a quick charging device.
- If the cooling device is connected to the DC outlet: Disconnect the cooling device or switch it off when you turn off the engine. Otherwise you may discharge the battery.
- The cooling device is not suitable for transporting caustic materials or materials containing solvents.
- The insulation of the cooling device contains flammable cyclopentane and requires special disposal procedures. Deliver the cooling device at the end of its life-cycle to an appropriate recycling.

2.2 Operating the cooling device safely



CAUTION!

- Before starting the cooling device, ensure that the power supply line and the plug are dry.



NOTICE!

- Do not use electrical devices inside the cooling device unless they are recommended by the manufacturer for the purpose.
- Do not place the cooling device near naked flames or other heat sources (heaters, direct sunlight, gas ovens etc.).
- **Danger of overheating!**
Ensure at all times that there is sufficient ventilation so that the heat that arises during operation does not build up. Make sure that the cooling device is sufficiently far away from walls and other objects so that the air can circulate.
- Ensure that the ventilation openings are not covered.
- Do not fill the inner container with ice or fluid.
- Never immerse the cooling device in water.
- Protect the cooling device and the cable against heat and moisture.

3 Scope of delivery

fig. 1, page 3 shows the scope of delivery.

Item	Quantity	Description
1	1	Cooler
2	1	Connection cable for DC connection
3	1	Connection cable for AC connection
4	2	Carrying handle, consisting of: <ul style="list-style-type: none"> - 2 holders - 1 handle - 4 fastening screws
-	1	Operating manual

4 Accessories

Available as accessories (not included in the scope of delivery):

Description	Ref. no.
Insulated cover bag for CF80	9600003797
Insulated cover bag for CF100	9600003798

If you have questions regarding the accessories, contact your local service partner.

5 Intended use

The cooler is suitable for cooling and freezing foods.

The cooler is designed to be operated from:

- a DC on-board power supply of a vehicle, boat or caravan
- a DC auxiliary battery
- an AC power supply

The cooling device is intended to be used in household and similar applications such as

- staff kitchen areas in shops, offices and other working environments
- farm houses
- clients in hotels, motels and other residential type environments
- bed and breakfast type environments
- catering and similar non-retail applications

**CAUTION! Health hazard!**

Please check if the cooling capacity of the device is suitable for storing the food or medicine you wish to cool.

6 Function description

The cooler can refrigerate or freeze food products. A fast-acting and efficient cooling system provides maintenance-free cooling performance with a compressor and control module.

The cooler is designed for mobile use and can be carried by two detachable handles.

The cooler can withstand a short-term inclination of 30°, for example on boats.

Scope of functions:

- Power pack with priority circuit for connecting to the AC power supply
- 3-level battery monitor for protecting the vehicle battery
- Programmed turbo mode for rapid cooling
- Display with temperature gauge
(switches off automatically at low battery voltage)
- Temperature adjustment
(with two buttons in steps of 1 °C or 2 °F)
- Detachable carrying handles

6.1 Operating and display elements

Operating panel (fig. **2**, page 3)

Item	Description	Explanation
1	ON OFF	Switches the cooler on or off when the button is pressed for between one and two seconds
2	POWER	Status indication LED lights up green: Compressor is on LED lights up orange: Compressor is off LED flashes orange: display switched off automatically due to low battery voltage
3	ERROR	LED flashes red: Device is switched on but not ready for operation
4	SET	Selects the input mode – Temperature setting – Celsius or Fahrenheit display – Set battery monitor
5	–	Display, shows the information
6	UP +	Press once to increase the value
7	DOWN –	Press once to decrease the value

6.2 Connections

Connection sockets (fig. **3**, page 3):

Item	Description
1	AC power supply inlet
2	Fuse holder
3	DC power supply inlet

7 Operation

7.1 Before initial use



NOTE

Before starting your new cooler for the first time, you should clean it inside and outside with a damp cloth for hygienic reasons (please also refer to the chapter "Cleaning and maintenance" on page 21).

The handles are enclosed unassembled. If you wish to attach the handles, proceed as follows:

- ▶ Make a handle by putting two holders (fig. **4** 1, page 4) and a handle (fig. **4** 2, page 4) together.
- ▶ Fasten the grip with the enclosed screws in the holes provided.

Selecting the temperature units

You can switch the temperature display between Celsius and Fahrenheit. This is how to do it:

- ▶ Switch on the cooler.
 - ▶ Press the "SET" button (fig. **2** 4, page 3) twice.
 - ▶ Use the "UP +" (fig. **2** 6, page 3) and "DOWN -" (fig. **2** 7, page 3) buttons to select Celsius or Fahrenheit.
- ✓ The selected temperature units then appear in the display for a few seconds. The display flashes several times before it returns to the current temperature.

Reversing the lid opening direction

The lid hinges can be moved to the opposite side if you want to open the lid from the opposite direction. To do this, proceed as follows:

- ▶ Open the latches.
- ▶ Remove the screws from the latches and take off the latches (fig. **5** 1, page 4).
- ▶ Remove the screws from the hinges and take off the lid (fig. **5** 2, page 4).
- ▶ Re-fit the hinges in the new positions.
- ▶ Re-fit the latches in the new positions.

7.2 Energy saving tips

- Choose a well ventilated installation location which is protected against direct sunlight.
- Allow warm food to cool down first before placing it in the cooling device to keep cool.
- Do not open the cooling device more often than necessary.
- Do not leave the cooling device open for longer than necessary.
- Defrost the cooling device once a layer of ice forms.
- Avoid unnecessary low temperatures.

7.3 Connecting the cooler

AC extension cord



WARNING!

Because of potential safety hazards under certain conditions, the manufacturer strongly recommends against the use of an extension cord. However, if you must use an extension cord, it is absolutely necessary that it be a UL-Listed (in the United States) or a CSA-Listed (in Canada) appliance extension cord, with 10 A (minimum), 120 V electrical ratings.



CAUTION!

- Under **no circumstances** should you attempt to splice extension cord wires.
- Do **not** use power strips or 2-way splitters.
- Always unroll or uncoil an extension cord to avoid heat retention and possible melting.

- Select a UL/CSA listed 120 V~ / ≥ 10 A outdoor use extension cord according to the following table:

	Maximum cord length			
120 V~	10 ft. (3 m)	25 ft. (7.6 m)	50 ft. (15.2 m)	100 ft. (30.5 m)
Wire conductors	3	3	3	3
AWG	14 (1.6 mm ²)	12 (2 mm ²)	12 (2 mm ²)	12 (2 mm ²)

DC extension cord



CAUTION!

- The manufacturer does **not** recommend using any type of DC extension cord.
- Under **no circumstances** should you attempt to splice extension cord wires.
- Do **not** use power strips or 2-way splitters.
- Always unroll or uncoil an extension cord to avoid heat retention and possible melting.

- Select a 12 V/24 V DC \geq 10 A automotive use extension cord according to the following table:

	Maximum cord length			
12 V DC	3 ft. (0.9 m)	6 ft. (1.8 m)	10 ft. (3 m)	12 ft. (3.7 m)
24 V DC	6 ft. (1.8 m)	10 ft. (3 m)	15 ft. (4.6 m)	25 ft. (7.6 m)
AWG	14 (1.6 mm ²)	12 (2 mm ²)	10 (2.6 mm ²)	8 (3.3 mm ²)

Connecting to a battery (vehicle or boat)

The cooler can be operated with 12 V DC or 24 V DC .



NOTICE! Danger of damage!

Disconnect the cooler and other consumer units from the battery before you connect the battery to a quick charging device. Overvoltage can damage the electronics of the device.

For safety reasons the cooler is equipped with an electronic system to prevent polarity reversal. This protects the cooler against short-circuiting when connecting to a battery.

Using the fused DC plug



NOTICE! Danger of damage!

For protection of the device the DC cable supplied includes a fuse inside the plug. Do **not** remove the fused DC plug. Only use the DC cable supplied.

- Plug the DC connection cable (fig. **1** 2, page 3) into the DC power supply inlet of the cooler (fig. **3** 3, page 3).
- Connect the connection cable to the DC power outlet.

Connecting to an AC power supply (e.g. in the home or office)



DANGER! Danger of electrocution!

- Never handle plugs and switches with wet hands or if you are standing on a wet surface.
- If you are operating your cooler on board a boat from a power supply connection of 120 V~, you must install a residual current circuit breaker between the 120 V AC power supply and the cooler. Seek advice from a trained technician.

The coolers have an integrated multi-voltage power supply with priority circuit for connecting to an AC voltage source. The priority circuit automatically switches the cooler to power supply operation, if the device is connected to an AC power supply, even if the DC connection cable is still attached.

When switching between the AC power supply and the battery supply, the red LED may light up briefly.

- Plug the AC connection cable (fig. **1** 3, page 3) into the AC power supply inlet of the cooler (fig. **3** 1, page 3).
- Connect the connection cable to the AC power outlet.

7.4 Using the battery monitor

The device is equipped with a multi-level battery monitor that protects your vehicle battery against excessive discharging when the device is connected to the on-board DC supply.

If the cooler is operated when the vehicle ignition is switched off, the cooler switches off automatically as soon as the supply voltage falls below a set level. The cooler will switch back on once the battery has been recharged to the restart voltage level.



NOTICE! Danger of damage!

When switched off by the battery monitor, the battery will no longer be fully charged. Avoid starting repeatedly or operating without longer charging phases. Ensure that the battery is recharged.

In "HIGH" mode, the battery monitor responds faster than at the levels "LOW" and "MED" (see the following table).

Battery monitor mode	LOW	MED	HIGH
Switch-off voltage at 12 V	10.1 V	11.4 V	11.8 V
Restart voltage at 12 V	11.1 V	12.2 V	12.6 V
Switch-off voltage at 24 V	21.5 V	24.1 V	24.6 V
Restart voltage at 24 V	23.0 V	25.3 V	26.2 V

This is how to select the battery monitor mode:

- Switch on the cooler.
- Press the "SET" button (fig. **2** 4, page 3) three times.
- Use the "UP +" (fig. **2** 6, page 3) and "DOWN -" (fig. **2** 7, page 3) buttons to select the battery monitor mode.
- ✓ The selected mode then appears in the display for a few seconds. The display flashes several times before it returns to the current temperature.



NOTE

When the cooler is supplied by the starter battery, select the battery monitor mode "HIGH". If the cooler is connected to a supply battery, the battery monitor mode "LOW" will suffice. If you wish to operate the cooler from the AC power supply, set the battery monitor to the "LOW" position.

7.5 Using the cooler



NOTICE! Danger of overheating!

Ensure at all times that there is sufficient ventilation so that the heat that generated during operation can dissipate. Ensure that the ventilation slots are not covered. Make sure that the device is sufficiently far away from walls and other objects so that the air can circulate.

- Place the cooler on a firm foundation.
Make sure that the ventilation slots are not covered and that the heated air can dissipate.
- Close the cooler, see chapter “Connecting the cooler” on page 14.



NOTE

If you wish to operate the cooler from the AC power supply, set the battery monitor to the “LOW” position.



NOTICE! Danger from excessively low temperature!

Ensure that the only those objects are placed in the cooler that are intended to be cooled at the selected temperature.

- Press the “ON/OFF” button (fig. **2** 1, page 3) for between one and two seconds.
- ✓ The “POWER” LED lights up.
- ✓ The display (fig. **2** 5, page 3) switches on and shows the current cooling temperature.



NOTE

The temperature displayed is that of the middle of the interior.
The temperatures elsewhere can deviate from this temperature.

- ✓ The cooler starts cooling the interior.



NOTE

When operating with the battery, the display switches off automatically if the battery voltage is low. The LED “POWER” flashes orange.

7.6 Setting the temperature

- Press the "SET" button (fig. **2** 4, page 3) once.
- Use the "UP +" (fig. **2** 6, page 3) and "DOWN -" (fig. **2** 7, page 3) buttons to select the cooling temperature.
- ✓ The cooling temperature appears in the display for a few seconds. The display flashes several times and then the current temperature is displayed again.

7.7 Switching off the cooler

- Empty the cooler.
- Switch the cooler off.
- Pull out the connection cable.

If you do not want to use the cooler for a longer period of time:

- Leave the cover slightly open. This prevents odour build-up.

7.8 Defrosting the cooler

Humidity can form frost in the interior of the cooling device or on the vaporiser. This reduces the cooling capacity. Defrost the device in good time to avoid this.



NOTICE! Danger of damage!

Never use hard or pointed tools to remove ice or to loosen objects which have frozen in place.

To defrost the cooler, proceed as follows:

- Take out the contents of the cooler.
- If necessary, place them in another cooling device to keep them cool.
- Switch off the device.
- Leave the cover open.
- Wipe off the defrosted water.

7.9 Replacing the AC fuse



WARNING! Danger of electrocution!

Disconnect the connection cable before you replace the device fuse.

- Pull off the connection cable.
- Pry out the fuse insert (fig. **3** 2, page 3) with a screwdriver.
- Replace the defective fuse with a new of the same type and rating (T2.5AL 250 V).
- Press the fuse insert back into the housing.

7.10 Replacing the DC plug fuse

- Pull the adapter sleeve (fig. **6** 4, page 5) off of the plug.
- Unscrew the screw (fig. **6** 5, page 5) out of the upper half of the housing (fig. **6** 1, page 5).
- Carefully raise the upper half of the housing from the lower (fig. **6** 6, page 5) half.
- Take out the contact pin (fig. **6** 3, page 5).
- Replace the defective fuse (fig. **6** 2, page 5) with a new fuse of the same type and rating (3AG, Fast Acting, 8 A).
- Re-assemble the plug in the reverse order.

7.11 Replacing the light bulb

- Press the switch pin (fig. **7** 2, page 5) downwards so that the transparent part (fig. **7** 1, page 5) of the lamp can be removed at the front.
- Replace the light bulb.



NOTE

The LEDs in the light bulb must be aligned with the transparent part of the lamp.

- Press the transparent part of the lamp back into the housing.

8 Cleaning and maintenance

**WARNING!**

Always disconnect the device from the power supply before you clean and service it.

**NOTICE! Risk of damage**

- Never clean the cooler under running water or in dish water.
- Do not use abrasive cleaning agents or hard objects during cleaning as these can damage the cooler.

- Occasionally clean the device interior and exterior with a damp cloth.
- Make sure that the air inlet and outlet vents on the device are free of any dust and dirt, so that heat can be released and the device is not damaged.

9 Guarantee

The statutory warranty period applies. If the product is defective, please contact the manufacturer's branch in your country (see the back of the instruction manual for the addresses) or your retailer.

For repair and guarantee processing, please include the following documents when you send in the device:

- A copy of the receipt with purchasing date
- A reason for the claim or description of the fault

10 Troubleshooting

Fault	Possible cause	Suggested remedy
Device does not function, LED does not glow.	No voltage was detected in the DC power outlet.	In most vehicles the ignition must be turned on before power will be supplied to the DC power outlet.
	No voltage present in the AC voltage outlet.	Try using another plug outlet.
	The device fuse is defective.	Replace the device fuse, see chapter "Replacing the AC fuse" on page 20.
The device does not cool (plug is inserted, "POWER" LED is lit).	The integrated power supply adapter is defective.	This can only be repaired by an authorized repair center.
	Defective compressor.	This can only be repaired by an authorized repair center.
	Battery monitor is set too high.	Select a lower battery monitor setting.
The device does not cool (plug is inserted, "POWER" LED flashes orange, display is switched off).	Battery voltage is too low.	Test the battery and charge it as needed.
	When operating from the DC outlet: The ignition is on and the device is not working and the LED is not lit.	The DC outlet is dirty. This results in a poor electrical contact.
The fuse of the DC plug has blown.		Replace the fuse in the DC plug, see chapter "Replacing the DC plug fuse" on page 20.
The vehicle fuse has blown.		Replace the vehicle's DC outlet fuse. Please refer to your vehicle's operating manual.
The display shows an error message (e.g. "Err1") and the appliance does not cool.	The appliance has switched off due to an internal fault.	This can only be repaired by an authorized repair center.
The interior light of a compartment flashes.	The lid of the compartment has been left open for more than three minutes.	Close the lid of the compartment.


11 Disposal

- Place the packaging material in the appropriate recycling waste bins wherever possible.



If you wish to finally dispose of the product, ask your local recycling centre or specialist dealer for details about how to do this in accordance with the applicable disposal regulations.

12 Technical data

	CF80	CF110
Connection voltage:	12/24 V \equiv and 120 V \sim	
Rated current:	7 A/12 V \equiv 3 A/24 V \equiv 1.4 A/120 V \sim	
Cooling range:	+10 °C to -18 °C (+50 °F to 0 °F)	
Gross capacity:	80 l (2.83 cu.ft.)	106 l (3.74 cu.ft.)
Usable capacity:	79 l (2.79 cu.ft.)	105 l (2.71 cu.ft.)
Climate class:	N, ST, T	
Ambient temperature:	+16 °C to +43 °C (+61 °F to +110 °F)	
Noise emission:	45 dB(A)	
Refrigerant quantity:	60 g (2.12 oz)	
CO ₂ equivalent:	0,086 t (189.60 lbs)	
Global warming potential (GWP):	1430	
Dimensions (W x H x D) in mm (in.):	790 x 455 x 500 (31.1 x 17.9 x 19.6)	790 x 555 x 500 (31.1 x 21.9 x 19.6)
Weight:	34 kg (75 lbs)	37 kg (81.5 lbs)
Test/certificates:	 File No: SA12891	



NOTE

If the ambient temperature is above 32 °C (90 °F), the minimum temperature cannot be attained.

The coolant circuit contains R134a.

Contains fluorinated greenhouse gases

Hermetically sealed equipment

Veillez lire ce manuel avec attention avant de mettre l'appareil en service. Conservez ensuite ce manuel. En cas de passer de l'appareil, veuillez le transmettre au nouvel acquéreur.

Le fabricant décline toute responsabilité en cas de dommages provoqués par une **utilisation non-conforme de l'appareil** ou **par des erreurs de manipulation**.

Table des matières

1	Explication des symboles	26
2	Consignes de sécurité	26
2.1	Sécurité générale	26
2.2	Consignes de sécurité concernant le fonctionnement de l'appareil	28
3	Contenu de la livraison	29
4	Accessoires	29
5	Usage conforme	30
6	Description du fonctionnement	30
6.1	Commandes et affichage	31
6.2	Éléments de raccordement	32
7	Utilisation	32
7.1	Avant la première utilisation	32
7.2	Conseils pour économiser de l'énergie	33
7.3	Raccordement de la glacière	33
7.4	Utilisation du protecteur de batterie	36
7.5	Utilisation de la glacière	38
7.6	Réglage de la température	39
7.7	Mise hors-service de la glacière	39
7.8	Dégivrage de la glacière	39
7.9	Remplacement du fusible pour courant alternatif	40
7.10	Remplacement du fusible du connecteur (CC)	40
7.11	Changement de la lampe à incandescence	40
8	Nettoyage et entretien	41
9	Garantie	41

10	Dépannage	42
11	Retraitement	43
12	Caractéristiques techniques	44

1 Explication des symboles



DANGER !

Consigne de sécurité : le non-respect de ces consignes entraîne la mort ou de graves blessures.



AVERTISSEMENT !

Consigne de sécurité : le non-respect de ces consignes peut entraîner la mort ou de graves blessures.



ATTENTION !

Consigne de sécurité : le non-respect de ces consignes peut entraîner des blessures.



AVIS !

Le non-respect de ces consignes peut entraîner des dommages matériels et des dysfonctionnements du produit.



REMARQUE

Informations complémentaires sur l'utilisation du produit.

2 Consignes de sécurité

2.1 Sécurité générale



AVERTISSEMENT !

- Si l'appareil présente des dégâts visibles, vous ne devez pas le mettre en service.
- Si le câble de raccordement de l'appareil est endommagé, il doit être remplacé par le fabricant, son service après-vente ou une personne de qualification similaire, afin d'éviter tout danger.

- Seul un personnel qualifié est habilité à effectuer des réparations sur l'appareil. Toute réparation mal effectuée risque d'entraîner de graves dangers.
- Les enfants âgés de 8 ans et plus ainsi que les personnes ayant des déficiences physiques, sensorielles ou mentales ou un manque d'expérience ou de connaissances peuvent utiliser ce produit à condition d'être sous surveillance ou d'avoir reçu des instructions concernant l'utilisation de l'appareil en toute sécurité et de comprendre les dangers qui en résultent.
- Le nettoyage et la maintenance ne doivent pas être effectués par des enfants sans surveillance.
- Les enfants ne doivent pas jouer avec cet appareil.
- Les enfants doivent être surveillés pour s'assurer qu'ils ne jouent pas avec l'appareil.
- Placez et utilisez l'appareil hors de portée des enfants de moins de 8 ans.
- Ne stockez aucune substance explosive comme p. ex. des aérosols contenant des agents propulseurs dans l'appareil.

**ATTENTION !**

- Débranchez l'appareil du secteur
 - avant tout nettoyage et entretien
 - après chaque utilisation
- Les aliments ne peuvent être conservés que dans leurs emballages originaux ou dans des récipients appropriés.

**AVIS !**

- Comparez la tension indiquée sur la plaque signalétique avec l'alimentation électrique dont vous disposez.
- Branchez l'appareil uniquement comme indiqué ci-dessous :
 - avec le câble de raccordement CC sur une prise CC du véhicule
 - ou avec le câble de raccordement CA au secteur à courant alternatif
- Ne tirez jamais sur le câble de raccordement pour sortir la fiche de la prise.
- Si la glacière est raccordée à la prise CC : débranchez de la batterie la glacière et les autres consommateurs d'énergie avant de raccorder un chargeur rapide.

- Si la glacière est raccordée à la prise CC : débranchez ou éteignez la glacière lorsque vous éteignez le moteur. Dans le cas contraire, il se pourrait que la batterie se décharge.
- N'utilisez pas la glacière pour le transport de produits corrosifs ou de solvants.
- Cette glacière contient du cyclopentane inflammable dans son isolation. Les gaz contenus dans le matériau d'isolation exigent une procédure de retraitement particulière. Une fois que vous ne l'utilisez plus, recyclez l'appareil de manière conforme.

2.2 Consignes de sécurité concernant le fonctionnement de l'appareil



ATTENTION !

- Avant de mettre l'appareil en service, assurez-vous que la ligne d'alimentation électrique et la fiche sont sèches.



AVIS !

- N'utilisez aucun appareil électrique dans la glacière, sauf si ces appareils sont recommandés par le fabricant pour cet usage.
- Ne placez pas l'appareil près de flammes ou d'autres sources de chaleur (chauffage, rayons solaires, réchauds à gaz, etc.).
- **Danger de surchauffe !**
Veillez toujours à ce que la chaleur produite lors du fonctionnement soit suffisamment dissipée. Veillez à ce que l'appareil se trouve à une distance suffisante des murs ou des objets, de sorte que l'air puisse circuler.
- Assurez-vous que les fentes d'aération ne sont pas recouvertes.
- Ne pas remplir le bac intérieur de substances liquides ou de glace.
- Ne plongez jamais l'appareil dans l'eau.
- Tenez l'appareil et les câbles à l'abri de la chaleur et de l'humidité.

3 Contenu de la livraison

La fig. **1**, page 3, indique les pièces comprises dans la livraison.

N°	Quantité	Désignation
1	1	Glacière
2	1	Câble de raccordement pour prise CC
3	1	Câble de raccordement pour prise CA
4	2	Poignée de transport, composée de : <ul style="list-style-type: none"> - 2 fixations - 1 corps de poignée - 4 vis de fixation
-	1	Manuel d'utilisation

4 Accessoires

Disponibles en accessoires (non compris dans la livraison) :

Description	No de réf.
Sac de protection isolé pour CF80	9600003797
Sac de protection isolé pour CF100	9600003798

En cas de questions concernant les accessoires, veuillez vous adresser à votre partenaire de service après-vente.

5 Usage conforme

La glacière est conçue pour la réfrigération et la congélation d'aliments.

La glacière est conçue pour fonctionner sur :

- un réseau continu d'un véhicule, d'un bateau ou d'un camping car
- une batterie d'alimentation en courant continu
- un réseau alternatif

La glacière est conçue pour un usage à domicile et tous les domaines d'applications semblables, comme par exemple

- dans les cuisines destinées au personnel de boutiques, bureaux et autres lieux de travail
- dans l'agriculture
- pour les clients d'hôtels, de motels ou autres types d'hébergement
- dans les « bed and breakfast »
- dans le catering et les utilisations semblables du commerce en gros



ATTENTION ! Risque pour la santé !

Veillez vérifier si la puissance frigorifique de l'appareil correspond à la température de conservation recommandée pour les aliments ou les médicaments que vous souhaitez refroidir.

6 Description du fonctionnement

La glacière peut réfrigérer ou congeler des produits alimentaires. Un système de refroidissement à action rapide et efficace offre une performance de refroidissement sans entretien avec un compresseur et un module de commande.

La glacière convient à une utilisation mobile, et peut être portée à l'aide de deux poignées démontables.

La glacière peut supporter un angle de gîte de 30° pendant une courte durée, par exemple lorsqu'elle est utilisée sur un bateau.

Fonctions de l'appareil :

- Bloc d'alimentation avec raccordement prioritaire pour branchement sur tension alternative
- Protecteur de batterie à trois niveaux pour protéger la batterie du véhicule
- Mode turbo commandé par programme pour un refroidissement plus rapide
- Ecran avec affichage de la température (s'éteint automatiquement lorsque la tension de la batterie est faible)
- Réglage de la température (par deux touches, par pas de 1 °C (2 °F))
- Poignées de transport montables

6.1 Commandes et affichage

Panneau de commande (fig. **2**, page 3) :

Pos.	Désignation	Signification
1	ON OFF	Permet d'allumer ou d'éteindre la glacière sur une pression d'une à deux seconde sur la touche
2	POWER	Témoin lumineux de fonctionnement La DEL s'allume en vert : le compresseur est en marche La DEL s'allume en orange : le compresseur est arrêté La DEL clignote en orange : l'écran a été automatiquement éteint parce que la tension de la batterie est faible
3	ERROR	La DEL clignote en rouge : l'appareil est allumé mais n'est pas prêt à fonctionner
4	SET	Permet de sélectionner le mode de saisie – Réglage de la température – Indication de degrés Celsius ou Fahrenheit – Réglage du protecteur de batterie
5	–	Ecran, affiche les valeurs
6	UP +	Une pression sur cette touche augmente la valeur de saisie sélectionnée
7	DOWN –	Une pression sur cette touche diminue la valeur de saisie sélectionnée

6.2 Éléments de raccordement

Prises de raccordement (fig. **3**, page 3) :

N°	Désignation
1	Prise de raccordement de l'alimentation en tension alternative
2	Porte-fusible
3	Prise de raccordement de l'alimentation en tension continue

7 Utilisation

7.1 Avant la première utilisation



REMARQUE

Avant de mettre en service votre nouvelle glacière, vous devez, pour des raisons d'hygiène, la nettoyer à l'intérieur et à l'extérieur à l'aide d'un tissu humide (voir aussi chapitre « Nettoyage et entretien », page 41).

Les poignées sont fournies démontées. Pour monter les poignées, procédez de la manière suivante :

- ▶ Assemblez deux fixations (fig. **4** 1, page 4) avec un corps de poignée (fig. **4** 2, page 4) pour former une poignée.
- ▶ Vissez la poignée ainsi constituée dans les orifices prévus à l'aide des vis fournies.

Sélection de l'unité de température

Vous pouvez sélectionner l'affichage de la température en degrés Celsius ou Fahrenheit. Procédez comme suit :

- ▶ Allumez la glacière.
- ▶ Appuyez deux fois sur la touche « SET » (fig. **2** 4, page 3).
- ▶ Sélectionnez l'unité de température (Celsius ou Fahrenheit) à l'aide des touches « UP + » (fig. **2** 6, page 3) ou « DOWN - » (fig. **2** 7, page 3).
- ✓ L'écran affiche l'unité de température sélectionnée pendant quelques secondes. L'écran clignote plusieurs fois avant de revenir à l'affichage de la température actuelle.

Inversion du sens d'ouverture du couvercle

Les charnières du couvercle peuvent être déplacées sur le côté opposé si vous souhaitez ouvrir le couvercle à partir du sens opposé. Procédez comme représenté :

- Ouvrez les loquets.
- Retirez les vis des loquets et retirez les loquets (fig. **5** 1, page 4).
- Retirez les vis des charnières et enlevez le couvercle (fig. **5** 2, page 4).
- Placez les charnières sur les nouvelles positions.
- Placez les loquets dans les nouvelles positions.

7.2 Conseils pour économiser de l'énergie

- Choisissez un emplacement bien aéré et à l'abri du soleil.
- Laissez refroidir les aliments chauds avant de les déposer dans la glacière.
- Ne pas ouvrir la glacière plus souvent que nécessaire.
- Ne laissez pas la glacière ouverte plus longtemps que nécessaire.
- Dégivrez la glacière dès qu'une couche de glace s'est formée.
- Évitez une température intérieure inutilement basse.

7.3 Raccordement de la glacière

Câble de rallonge CA



AVERTISSEMENT !

En raison de risques potentiels pour la sécurité sous certaines conditions, le fabricant déconseille fortement l'utilisation d'une rallonge. Toutefois, si vous devez utiliser une rallonge, il est absolument nécessaire qu'il s'agisse d'un câble de rallonge d'appareil sur liste UL (aux États-Unis) ou CSA (au Canada), avec des valeurs nominales de 10 A (minimum), 120 V.



ATTENTION !

- En **aucun cas** vous ne devez tenter de coller des fils du câble de rallonge.
- **N'utilisez pas** de bandes électriques ou de diviseurs à 2 voies.
- Toujours dérouler un câble de rallonge afin d'éviter la rétention de la chaleur et la possibilité qu'il fonde.

- Sélectionnez un câble de rallonge listé UL/CSA de 120 V~ / ≥ 10 A pour l'utilisation extérieure, selon le tableau suivant :

	Longueur maximale du cordon			
120 V~	10 ft. (3 m)	25 ft. (7,6 m)	50 ft. (15,2 m)	100 ft. (30,5 m)
Fils conducteurs	3	3	3	3
AWG	14 (1.6 mm ²)	12 (2 mm ²)	12 (2 mm ²)	12 (2 mm ²)

Câble de rallonge CC



ATTENTION !

- Le fabricant **déconseille** d'utiliser tout type de câble de rallonge CC.
- En **aucun cas** vous ne devez tenter de coller des fils du câble de rallonge.
- **N'utilisez pas** de bandes électriques ou de diviseurs à 2 voies.
- Toujours dérouler un câble de rallonge afin d'éviter la rétention de la chaleur et la possibilité qu'il fonde.

- Sélectionnez un câble de rallonge listé de 12 V/24 V==/ ≥ 10 A pour l'utilisation automobile, selon le tableau suivant :

	Longueur maximale du cordon			
12 V==	3 ft. (0,9 m)	6 ft. (1,8 m)	10 ft. (3 m)	12 ft. (3,7 m)
24 V==	6 ft. (1,8 m)	10 ft. (3 m)	15 ft. (4,6 m)	25 ft. (7,6 m)
AWG	14 (1.6 mm ²)	12 (2 mm ²)	10 (2,6 mm ²)	8 (3,3 mm ²)

Raccordement à une batterie (automobile ou bateau)

La glacière peut être branchée sur une tension continue de 12 V $\overline{=}$ ou 24 V $\overline{=}$.



AVIS ! Risque d'endommagement !

Débranchez la glacière et les autres consommateurs d'énergie de la batterie avant de recharger la batterie avec un chargeur rapide.

Les surtensions peuvent endommager l'électronique des appareils.

Pour des raisons de sécurité, la glacière est équipée d'une protection électronique contre les inversions de polarité en cas de raccordement à une batterie et contre les courts-circuits.

Utiliser câble de raccordement pour courant continu avec fusible



AVIS ! Risque d'endommagement !

Pour protéger l'appareil, le connecteur du câble pour courant continu inclus dans la livraison est équipé d'un fusible. Ne retirez **pas** le connecteur protégé pour courant continu.

Utilisez uniquement le câble pour courant continu inclus dans la livraison.

- Branchez le câble de raccordement CC (fig. **1** 2, page 3) dans la prise de tension CC de la glacière (fig. **3** 3, page 3).
- Branchez le câble de raccordement à la prise de sortie CC.

Raccordement à une alimentation CA (p. ex. dans la maison ou au bureau)



DANGER ! Danger d'électrocution

- Ne vous approchez pas de prises ou de commutateurs lorsque vous avez les mains mouillées ou les pieds dans l'eau.
- Si vous raccordez la glacière à bord d'un bateau à la tension 120 V~, vous devez dans tous les cas brancher un disjoncteur différentiel entre le circuit de courant alternatif 120 V et la glacière. Veuillez vous renseigner auprès d'un spécialiste.

Les glacières sont équipées d'un bloc d'alimentation intégré à tensions multiples avec raccordement prioritaire pour branchement sur une tension alternative. Le raccordement prioritaire permet de passer directement en fonctionnement sur secteur quand l'appareil est raccordé à un réseau de courant alternatif, même si le câble de raccordement CC est encore branché.

Lors de la commutation entre l'alimentation secteur et l'alimentation de la batterie, la LED rouge peut s'allumer brièvement.

- Branchez le cordon d'alimentation CA (fig. **1** 3, page 3) dans la prise de tension CA de la glacière (fig. **3** 1, page 3).
- Connectez le cordon d'alimentation à la prise de sortie CA.

7.4 Utilisation du protecteur de batterie

L'appareil est équipé d'un protecteur de batterie qui protège la batterie de votre véhicule, afin qu'elle ne se décharge pas excessivement lorsque la glacière est raccordée au réseau CC du véhicule.

Si la glacière est mise en service alors que l'allumage du véhicule est éteint, elle s'éteint automatiquement dès que la tension d'alimentation descend en dessous d'une valeur réglable. La glacière se rallume dès que la batterie est rechargée et que la tension de rallumage est atteinte.



AVIS ! L'appareil peut être endommagé !

Au moment de l'arrêt par le protecteur de batterie, la batterie ne possède plus toute sa capacité de charge ; évitez les démarrages répétés ou la mise en marche de consommateurs d'énergie, tant que la batterie n'a pas été rechargée. Veuillez à recharger la batterie.

En mode « HIGH », le protecteur de batterie se met en marche plus rapidement qu'en mode « LOW » ou « MED » (voir tableau suivant).

Mode protecteur de batterie	LOW	MED/	HIGH
Tension d'arrêt pour 12 V	10,1 V	11,4 V	11,8 V
Tension de rallumage pour 12 V	11,1 V	12,2 V	12,6 V
Tension d'arrêt pour 24 V	21,5 V	24,1 V	24,6 V
Tension de rallumage pour 24 V	23,0 V	25,3 V	26,2 V

Pour modifier le mode du protecteur de batterie, procédez comme suit :

- ▶ Allumez la glacière.
- ▶ Appuyez trois fois sur la touche « SET » (fig. **2** 4, page 3).
- ▶ Sélectionnez le mode du protecteur de batterie à l'aide des touches « UP + » (fig. **2** 6, page 3) ou « DOWN - » (fig. **2** 7, page 3).
- ✓ L'écran affiche le mode sélectionné pendant quelques secondes. L'écran clignote plusieurs fois avant de revenir à l'affichage de la température actuelle.



REMARQUE

Lorsque la glacière est alimentée par la batterie de démarrage, réglez le protecteur de batterie sur le mode « HIGH ». Lorsque la glacière est raccordée à une batterie d'alimentation, le mode « LOW » suffit. Lorsque vous voulez faire fonctionner la glacière sur le réseau à tension alternative, réglez le protecteur de batterie sur le mode « LOW ».

7.5 Utilisation de la glacière



AVIS ! Danger de surchauffe !

Veillez toujours à ce que la chaleur produite lors du fonctionnement puisse se dissiper suffisamment. Assurez-vous que les fentes d'aération ne sont pas recouvertes. Veillez à ce que l'appareil se trouve à distance suffisante des murs ou des objets, de sorte que l'air puisse circuler.

- Placez la glacière sur une surface stable.
Veillez à ce que les fentes d'aération ne soient pas recouvertes, afin que l'air chaud puisse bien s'évacuer.
- Raccordez la glacière (voir chapitre « Raccordement de la glacière », page 33).



REMARQUE

Lorsque vous voulez faire fonctionner la glacière sur le réseau à tension alternative, réglez le protecteur de batterie sur le mode « LOW ».



AVIS ! Risque de températures trop basses !

Veillez à ne déposer dans la glacière que des objets ou des aliments qui peuvent être réfrigérés à la température sélectionnée.

- Appuyez pendant une à deux secondes sur la touche « ON/OFF » (fig. 2 1, page 3).
- ✓ La DEL « POWER » s'allume.
- ✓ L'écran (fig. 2 5, page 3) s'allume et indique la température actuelle.



REMARQUE

La température affichée est celle du centre du compartiment intérieur. Il est possible que la température varie selon la position.

- ✓ La glacière commence par la réfrigération du compartiment intérieur.



REMARQUE

En cas de fonctionnement sur batterie, l'écran s'éteint automatiquement lorsque la tension de la batterie est faible.
La DEL « POWER » clignote en orange.

7.6 Réglage de la température

- Appuyez une fois sur la touche « SET » (fig. **2** 4, page 3).
- Sélectionnez la température de refroidissement à l'aide des touches « UP + » (fig. **2** 6, page 3) ou « DOWN - » (fig. **2** 7, page 3).
- ✓ L'affichage indique pendant quelques secondes la température de refroidissement réglée. L'écran clignote plusieurs fois avant de revenir à l'affichage de la température actuelle.

7.7 Mise hors-service de la glacière

- Videz la glacière.
- Eteignez la glacière.
- Débranchez le câble de raccordement.

Lorsque vous ne voulez pas utiliser la glacière pendant une période prolongée :

- Laissez le couvercle légèrement ouvert. Vous évitez ainsi la formation d'odeurs.

7.8 Dégivrage de la glacière

L'humidité de l'air peut se condenser sous forme de givre au niveau de l'évaporateur ou à l'intérieur de la glacière et diminuer ainsi sa puissance frigorifique. Veillez donc à dégivrer l'appareil à temps.



AVIS ! L'appareil peut être endommagé !

N'utilisez jamais d'outils durs ou pointus pour enlever les couches de glace ou pour détacher des objets pris dans le givre.

Procédez de la manière suivante pour dégivrer la glacière :

- Retirez les aliments.
- Placez-les éventuellement dans un autre réfrigérateur, pour qu'ils restent froids.
- Eteignez l'appareil.
- Laissez le couvercle ouvert.
- Essuyez l'eau provenant du dégivrage.

7.9 Remplacement du fusible pour courant alternatif



AVERTISSEMENT ! Danger de mort par électrocution !

Avant de remplacer le fusible, retirez les câbles de raccordement.

- Débranchez les câbles de raccordement.
- Retirez le porte-fusible (fig. **3** 2, page 3) en faisant par ex. levier avec un tournevis.
- Remplacez le fusible défectueux par un nouveau fusible de même valeur (T2,5AL 250 V).
- Remplacez le porte-fusible dans le boîtier, en appuyant dessus.

7.10 Remplacement du fusible du connecteur (CC)

- Retirez le compensateur (fig. **6** 4, page 5) du connecteur.
- Retirez la vis (fig. **6** 5, page 5) de la partie supérieure du boîtier (fig. **6** 1, page 5).
- Soulevez avec précaution la partie supérieure du boîtier de la partie inférieure (fig. **6** 6, page 5).
- Retirez la fiche de contact (fig. **6** 3, page 5).
- Remplacez le fusible défectueux (fig. **6** 2, page 5) par un fusible neuf de même type et de même caractéristique (3AG, rapide, 8 A).
- Remontez la prise en effectuant les opérations dans l'ordre inverse.

7.11 Changement de la lampe à incandescence

- Appuyez sur la tige de contact (fig. **7** 2, page 5) pour que la partie transparente (fig. **7** 1, page 5) de la lampe puisse être retirée par devant.
- Remplacez l'élément lumineux.



REMARQUE

Les DEL de l'élément lumineux doivent être orientées vers la partie transparente de la lampe.

- Remplacez la partie transparente de la lampe dans le boîtier.

8 Nettoyage et entretien



AVERTISSEMENT !

Avant toute opération de nettoyage ou d'entretien de l'appareil, veuillez à le mettre hors secteur.



AVIS ! Risque d'endommagement !

- Ne nettoyez jamais la glacière à l'eau courante et ne la plongez pas non plus dans l'eau.
- N'utilisez pour le nettoyage ni produits abrasifs ni objets durs qui pourraient endommager la glacière.

- Nettoyez de temps à autre l'appareil à l'intérieur et à l'extérieur avec un chiffon humide.
- Assurez-vous que les ouvertures d'aération et de ventilation de l'appareil ne sont pas encombrées de saletés ou de poussières, pour que la chaleur générée par le fonctionnement soit évacuée et que l'appareil ne soit pas endommagé.

9 Garantie

Le délai légal de garantie s'applique. Si le produit s'avérait défectueux, veuillez vous adresser à la filiale du fabricant située dans votre pays (voir adresses au verso du présent manuel) ou à votre revendeur spécialisé.

Veuillez y joindre les documents suivants pour la gestion des réparations et de la garantie :

- une copie de la facture avec la date d'achat,
- le motif de la réclamation ou une description du dysfonctionnement.

10 Dépannage

Dysfonctionnement	Cause possible	Solution proposée
L'appareil ne fonctionne pas, la LED n'est pas allumée.	Aucune tension n'a été détectée dans la source de courant continu.	Dans la plupart des véhicules, l'allumage doit être allumé avant que l'alimentation soit fournie à la prise CC.
	La prise de tension alternative n'est pas sous tension.	Essayez une autre prise.
	Le fusible de l'appareil est défectueux.	Remplacez le fusible de l'appareil, voir chapitre « Remplacement du fusible pour courant alternatif », page 40.
	Le bloc d'alimentation intégré est défectueux.	La réparation doit être effectuée uniquement par un service après-vente agréé.
L'appareil ne réfrigère pas (le connecteur est branché, la LED « POWER » est allumée).	Compresseur défectueux.	La réparation doit être effectuée uniquement par un service après-vente agréé.
L'appareil ne réfrigère pas (le connecteur est branché, la LED « POWER » clignote en orange, l'écran est éteint).	Le mode du protecteur de batterie est trop élevé.	Réglez le protecteur de batterie sur un mode moins élevé.
	La tension de la batterie est insuffisante.	Contrôlez la batterie et chargez-la si nécessaire.
Lors du fonctionnement sur prise CC : L'allumage est en marche, l'appareil ne fonctionne pas et la LED n'est pas allumée.	La prise de courant est sale. Ceci entraîne un mauvais contact électrique.	Si la fiche devient très chaude lorsqu'elle est branchée dans la prise de l'allumecigare, c'est que la prise de l'allumecigare doit être nettoyée ou que la fiche n'est pas bien montée.
	Le fusible de sécurité du câble de raccordement a grillé.	Remplacez le fusible de la prise CC, voir chapitre « Remplacement du fusible du connecteur (CC) », page 40.
	Le fusible du véhicule est grillé.	Remplacez le fusible de la prise CC du véhicule. Veuillez vous référer au manuel d'utilisation de votre véhicule.

Dysfonctionnement	Cause possible	Solution proposée
Un message d'erreur s'affiche (p. ex. « Err1 ») et l'appareil ne réfrigère pas.	Un dysfonctionnement interne a arrêté l'appareil.	La réparation doit être effectuée uniquement par un service après-vente agréé.
L'éclairage intérieur d'un compartiment clignote.	Le couvercle du compartiment a été laissé ouvert pendant plus de trois minutes	Refermez le couvercle du compartiment.


11 Retraitement

- Jetez les emballages dans les conteneurs de déchets recyclables prévus à cet effet.



Lorsque vous mettez votre produit définitivement hors service, informez-vous auprès du centre de recyclage le plus proche ou auprès de votre revendeur spécialisé sur les prescriptions relatives au retraitement des déchets.

12 Caractéristiques techniques

	CF80	CF110
Tension de raccordement :	12/24 V \equiv et 120 V \sim	
Courant nominal :	7 A/12 V \equiv 3 A/24 V \equiv 1,4 A/120 V \sim	
Plage de refroidissement :	de +10 °C à -18 °C (+50 °F à 0 °F)	
Capacité brute :	80 l (2,83 cu.ft.)	106 l (3,74 cu.ft.)
Capacité utile :	79 l (2,79 cu.ft.)	105 l (2,71 cu.ft.)
Classe climatique :	N, ST, T	
Température ambiante :	de +16 °C à +43 °C (+61 °F à +100 °F)	
Émissions sonores :	45 dB(A)	
Quantité de fluide frigorigène :	60 g (2,12 oz)	
Équivalent CO ₂ :	0,086 t (189,60 lbs)	
Potentiel d'effet de serre (GWP) :	1430	
Dimensions (L x h x p, mm) (in.) :	790 x 455 x 500 (31,1 x 17,9 x 19,6)	790 x 555 x 500 (31,1 x 21,9 x 19,6)
Poids :	34 kg (75 lbs)	37 kg (81,5 lbs)
Contrôle/certificats :	 File No: SA12891	



REMARQUE

La température minimale ne peut plus être atteinte à des températures ambiantes supérieures à 32 °C (90 °F).

Le circuit de refroidissement contient du R134a.

Contient des gaz à effet de serre fluorés

Équipement hermétiquement scellé

Lea atentamente este manual antes de la puesta en funcionamiento del aparato y consérvelo en un lugar seguro para futuras consultas. En caso de vender o entregar el aparato a otra persona, entregue también estas instrucciones.

El fabricante declina toda responsabilidad por los daños causados por **el uso inadecuado** o por el **uso incorrecto** del aparato.

Índice

1	Aclaración de los símbolos	46
2	Indicaciones de seguridad	46
2.1	Seguridad general.	46
2.2	Seguridad durante el funcionamiento del aparato	48
3	Volumen de entrega	49
4	Accesorios	49
5	Uso adecuado	49
6	Descripción del funcionamiento	50
6.1	Elementos de mando y de indicación	51
6.2	Elementos de conexión	51
7	Manejo	52
7.1	Antes del primer uso	52
7.2	Consejos para el ahorro de energía	53
7.3	Conexión de la nevera	53
7.4	Uso del controlador de la batería	56
7.5	Uso de la nevera	57
7.6	Ajustar la temperatura	58
7.7	Desconectar la nevera	58
7.8	Descongelar la nevera	59
7.9	Sustitución del fusible de corriente alterna	59
7.10	Cambiar el fusible de la clavija (corriente continua)	60
7.11	Cambiar la bombilla	60
8	Limpieza y mantenimiento	61
9	Garantía legal	61

10	Solución de averías	62
11	Eliminación de desechos	63
12	Datos técnicos	64

1 Aclaración de los símbolos



¡PELIGRO!

Indicación de seguridad: su incumplimiento acarrea la muerte o graves lesiones.



¡ADVERTENCIA!

Indicación de seguridad: su incumplimiento puede acarrear la muerte o graves lesiones.



¡ATENCIÓN!

Indicación de seguridad: su incumplimiento puede acarrear lesiones.



¡AVISO!

Su incumplimiento puede acarrear daños materiales y perjudicar el correcto funcionamiento del producto.



NOTA

Información adicional para el manejo del producto.

2 Indicaciones de seguridad

2.1 Seguridad general



¡ADVERTENCIA!

- No ponga el aparato en funcionamiento si presenta desperfectos visibles.
- Si se daña el cable de conexión del aparato, éste deberá ser reemplazado por el fabricante, su servicio de atención al cliente o una persona cualificada para evitar así posibles peligros.

- Sólo personal especializado puede realizar reparaciones en el aparato. Las reparaciones realizadas indebidamente pueden dar lugar a situaciones de considerable peligro.
- Los niños mayores de 8 años y las personas de capacidad física, sensorial o mental disminuida, así como aquellas personas con falta de experiencia y/o conocimientos suficientes solo podrán utilizar este aparato si están vigilados o han sido instruidos respecto al uso seguro del aparato y a los posibles peligros que pueden emanar de él.
- Los niños solo podrán realizar las tareas de limpieza y mantenimiento bajo vigilancia.
- Los niños no están autorizados a jugar con el aparato.
- Se ha de vigilar a los niños para garantizar que no usen este aparato como juguete.
- Mantenga y utilice el aparato fuera del alcance de los niños menores de 8 años.
- No guarde en el aparato sustancias con peligro de explosión como, p. ej., atomizadores con gases combustibles.



¡ATENCIÓN!

- Desconecte el aparato de la red
 - antes de realizar cualquier tarea de limpieza y mantenimiento;
 - después de cada uso.
- Los alimentos sólo se pueden guardar en los envases originales o en recipientes adecuados.



¡AVISO!

- Compare el valor de tensión indicado en la placa de características con el suministro de energía existente.
- Conecte el aparato únicamente del siguiente modo:
 - conecte el cable de alimentación CC a una caja de enchufe CC en el vehículo
 - o bien conecte el cable de alimentación de CA a la red de corriente alterna
- No extraiga nunca la clavija de la caja de enchufe tirando del cable de conexión.
- Si la nevera está conectada a la caja de enchufe CC: Desconecte de la batería el aparato refrigerador u otros dispositivos consumidores si va a conectar un cargador rápido.

- Si la nevera está conectada a la caja de enchufe CC: Desconecte la conexión o apague el aparato cuando apague el motor. De lo contrario podrá descargarse la batería.
- Este aparato refrigerador no es apto para transportar sustancias corrosivas o disolventes.
- Este aislamiento de este aparato refrigerador contiene ciclopentanto inflamable. Los gases presentes en el material aislante requieren un proceso de eliminación especial. Elimine debidamente el aparato al final de su vida útil.

2.2 Seguridad durante el funcionamiento del aparato



¡ATENCIÓN!

- Antes de la puesta en funcionamiento, asegúrese de que el cable de alimentación y la clavija de enchufe estén secos.



¡AVISO!

- No utilice ningún aparato eléctrico dentro de la nevera, a no ser que el aparato en cuestión haya sido recomendado para ello por el fabricante.
- No coloque el aparato cerca de llamas vivas ni de otras fuentes de calor (calefacción, radiación directa del sol, estufas de gas, etc.).
- **¡Peligro de sobrecalentamiento!**
Asegúrese todo el tiempo de que el calor producido durante el funcionamiento se puede desalojar adecuadamente. Asegúrese de que el aparato guarda la suficiente distancia con las paredes u objetos, de forma que el aire pueda circular.
- Procure que no se obstruyan las ranuras de ventilación.
- No introduzca líquidos ni hielo en el contenedor interior.
- No sumerja nunca el aparato en agua.
- Proteja el aparato y los cables del calor y de la humedad.

3 Volumen de entrega

La fig. 1, página 3, muestra el volumen de entrega.

Pos.	Cantidad	Denominación
1	1	Nevera
2	1	Cable de alimentación para conexión de CC
3	1	Cable de conexión para conexión de CA
4	2	Asa de transporte, compuesta de: <ul style="list-style-type: none"> - 2 soportes - 1 asa - 4 tornillos de fijación
-	1	Instrucciones de uso

4 Accesorios

Disponibles como accesorio (no incluidos en el volumen de entrega):

Descripción	N.º de ref.
Bolsa aislante para CF 80	9600003797
Bolsa aislante para CF 100	9600003798

Para cualquier pregunta respecto a los accesorios diríjase a su socio de servicio local.

5 Uso adecuado

La nevera es apta tanto para enfriar como para congelar los alimentos.

La nevera está dimensionada para su uso en:

- la red de corriente continua de un vehículo, una embarcación o una caravana
- una batería de alimentación de corriente continua
- una red de corriente alterna

Esta nevera está concebida para el uso doméstico o usos similares, como por ejemplo:

- en las cocinas destinadas al personal en establecimientos comerciales, oficinas u otros recintos de trabajo
- en el trabajo en el campo
- para los huéspedes de hoteles, moteles u otros tipos de alojamiento
- en pensiones con desayuno
- en servicios de catering y otras aplicaciones semejantes



¡ATENCIÓN! ¡Riesgo para la salud!

Compruebe si la potencia de refrigeración del aparato cumple las exigencias de los alimentos o medicamentos que desea enfriar.

6 Descripción del funcionamiento

La nevera puede refrigerar o congelar alimentos. Un sistema de refrigeración rápido y eficiente enfría sin necesidad de mantenimiento con un compresor y módulo de control.

La nevera resulta adecuada para el uso portátil y se puede agarrar por dos asas desmontables.

La nevera puede funcionar con un ángulo de escora de 30° durante periodos breves, por ejemplo al usarse en embarcaciones.

Indicaciones relativas al funcionamiento:

- Fuente de alimentación con conexión de prioridad para la conexión a la corriente alterna
- Controlador de batería de 3 etapas para proteger la batería del vehículo
- Modo Turbo controlado por programa para un enfriamiento rápido
- La pantalla con indicación de temperatura (se apaga automáticamente en caso de una tensión baja de la batería)
- Ajuste de temperatura (con dos pulsadores en pasos de 1 °C (2 °F))
- Asa de transporte desmontable

6.1 Elementos de mando y de indicación

Panel de mando (fig. **2**, página 3):

Pos.	Denominación	Explicación
1	ON OFF	Enciende o apaga la nevera cuando se pulsa la tecla durante uno o dos segundos
2	POWER	Indicación del modo de funcionamiento LED iluminado en verde: el compresor está en marcha LED iluminado en naranja: el compresor está apagado LED parpadea en naranja: La pantalla se apaga automáticamente porque la tensión de la batería es baja
3	ERROR	LED parpadea en rojo: el aparato conectado no está listo para funcionar
4	SET	Selecciona el modo de entrada de datos – ajuste de temperatura – indicación en °Celsius o °Fahrenheit – ajuste del controlador de la batería
5	–	Display, indica la temperatura
6	UP +	Pulsando una vez, aumenta el valor de entrada
7	DOWN –	Pulsando una vez, disminuye el valor de entrada

6.2 Elementos de conexión

Hembrillas de conexión (fig. **3**, página 3):

Pos.	Denominación
1	Conectores para la alimentación de corriente alterna
2	Portafusible
3	Conectores para la alimentación de corriente continua

7 Manejo

7.1 Antes del primer uso



NOTA

Por razones de higiene, debería limpiar la nueva nevera por dentro y por fuera con un paño húmedo antes de ponerla en funcionamiento (véase también capítulo “Limpieza y mantenimiento” en la página 61).

Las asas se adjuntan sueltas. Si las quiere montar, proceda como se indica a continuación:

- ▶ Monte dos soportes (fig. **4** 1, página 4) y un asa (fig. **4** 2, página 4) formando una unidad.
- ▶ Fije el asa con los tornillos adjuntos en los orificios previstos para ello.

Seleccionar la unidad de temperatura

Para la indicación de temperatura puede elegir entre °Celsius o °Fahrenheit. Para ello proceda de la siguiente manera:

- ▶ Encienda la nevera.
 - ▶ Pulse el botón “SET” (fig. **2** 4, página 3) dos veces.
 - ▶ Ajuste con las teclas “UP +” (fig. **2** 6, página 3) o “DOWN -” (fig. **2** 7, página 3) la unidad de temperatura °Celsius o °Fahrenheit.
- ✓ El display indica durante unos segundos la unidad de temperatura ajustada. El display parpadea algunas veces antes de volver a mostrar la temperatura actual.

Inversión del sentido de apertura de la tapa

Los topes de la tapa se pueden desplazar al lado opuesto si se desea abrir la tapa por el otro lado. Para ello proceda de la siguiente manera:

- ▶ Abra los bloqueos.
- ▶ Retire los tornillos de los bloqueos y extraiga estos últimos (fig. **5** 1, página 4).
- ▶ Retire los tornillos de los topes de la tapa y extraiga esta última (fig. **5** 2, página 4).
- ▶ Vuelva a montar los topes de la tapa en las nuevas posiciones.
- ▶ Vuelva a montar los bloqueos en las nuevas posiciones.

7.2 Consejos para el ahorro de energía

- Elija un lugar de montaje correctamente ventilado y protegido de la radiación solar.
- Antes de introducir alimentos calientes, deje que se enfríen.
- Evite abrir la nevera más de lo necesario.
- No deje la nevera abierta más tiempo del que sea necesario.
- Descongele la nevera cuando se forme una capa de escarcha.
- Evite utilizar temperaturas innecesariamente bajas.

7.3 Conexión de la nevera

Cable de extensión de corriente alterna



¡ADVERTENCIA!

Debido a los potenciales riesgos de seguridad bajo ciertas condiciones, el fabricante recomienda firmemente el no usar un cable de extensión. Sin embargo, si tuviera que utilizar un cable de extensión, será absolutamente necesario que sea un cable de extensión del aparato certificado UL (en los Estados Unidos) o certificado CSA (en Canada) con 10 A (mínimo), 120 V, de las clasificaciones eléctricas.



¡ATENCIÓN!

- Bajo **ninguna circunstancia** debe intentar empalmar los cables de extensión.
- **No** use regletas o divisores de 2 vías.
- Desenrolle siempre un cable de extensión para evitar que se retenga calor y que se pueda derretir.

- Seleccione un cable de extensión para uso en exteriores de 120 V \sim / \geq 10 A, certificado UL/CSA de acuerdo con la tabla siguiente:

120 V \sim	Máxima longitud del cordón			
	10 ft. (3 m)	25 ft. (7,6 m)	50 ft. (15,2 m)	100 ft. (30,5 m)
Cables conductores	3	3	3	3
AWG	14 (1,6 mm ²)	12 (2 mm ²)	12 (2 mm ²)	12 (2 mm ²)

Cable de extensión de corriente continua



¡ATENCIÓN!

- El fabricante **no** recomienda usar ningún tipo de cable de extensión de corriente continua.
- Bajo **ninguna circunstancia** debe intentar empalmar los cables de extensión.
- **No** use regletas o divisores de 2 vías.
- Desenrolle siempre un cable de extensión para evitar que se retenga calor y que se pueda derretir.

- Seleccione un cable de extensión para uso en automoción de 12 V/24 V \equiv /≥ 10 A de acuerdo con la tabla siguiente:

	Máxima longitud del cordón			
12 V \equiv	3 ft. (0,9 m)	6 ft. (1,8 m)	10 ft. (3 m)	12 ft. (3,7 m)
24 V \equiv	6 ft. (1,8 m)	10 ft. (3 m)	15 ft. (4,6 m)	25 ft. (7,6 m)
AWG	14 (1,6 mm ²)	12 (2 mm ²)	10 (2,6 mm ²)	8 (3,3 mm ²)

Conexión a una batería (Vehículo o embarcación)

La nevera puede funcionar con una tensión continua de 12 V \equiv ó 24 V \equiv .



¡AVISO! ¡Peligro de ocasionar daños materiales!

Antes de cargar la batería con un cargador rápido, desconéctela de la nevera y de otros consumidores.
La sobretensión puede dañar el sistema electrónico de los aparatos.

Por motivos de seguridad, la nevera está equipada con una protección electrónica contra inversión de polaridad y contra cortocircuitos.

El cable de conexión de corriente continua debe usarse con fusible.



¡AVISO! ¡Peligro de ocasionar daños materiales!

Para proteger el aparato, la clavija del cable de conexión de corriente continua adjunto está provista de un fusible. **No** retire la clavija de corriente continua protegida.

Utilice exclusivamente el cable de conexión de corriente continua adjunto.

- Enchufe el cable de conexión de CC (fig. **1** 2, página 3) en la caja de enchufe de CC de la nevera (fig. **3** 3, página 3).
- Conecte el cable de conexión a la salida de corriente continua.

Conexión a fuente de alimentación de corriente alterna (p. ej. en casa o en la oficina)



¡PELIGRO! ¡Peligro de electrocución!

- No manipule los enchufes ni interruptores con las manos mojadas ni con los pies sobre una superficie mojada.
- Si va a utilizar la nevera a bordo de una embarcación a través de una conexión de alimentación de corriente de 120 V~, deberá instalar un interruptor automático diferencial entre la fuente de alimentación de corriente alterna de 120 V y la nevera.
Consulte con un especialista.

Las neveras tienen una fuente de alimentación integrada de tensión múltiple con una conexión de prioridad para conectar a la fuente de tensión alterna. Esta conexión de prioridad conmuta automáticamente la nevera a funcionamiento a través de la fuente de alimentación cuando el aparato está conectado a una fuente de alimentación de corriente alterna, aun cuando el cable de conexión de CC siga conectado.

El LED rojo puede iluminarse brevemente al cambiar entre la fuente de alimentación de corriente alterna y la alimentación de la batería.

- Enchufe el cable de conexión de CA (fig. **1** 3, página 3) en la caja de enchufe de CA de la nevera (fig. **3** 1, página 3).
- Conecte el cable de conexión a la salida de tensión de CA.

7.4 Uso del controlador de la batería

El aparato está equipado con un controlador de la batería de varios niveles que evita que la batería del vehículo se descargue excesivamente al utilizar la red de a bordo de CC.

En caso de poner en funcionamiento la nevera en el vehículo con el contacto apagado, ésta se desconectará automáticamente en cuanto descienda la tensión de alimentación por debajo del valor programable. La nevera vuelve a conectarse tan pronto como se cargue la batería y se alcance la tensión de alimentación de reconexión.



¡AVISO! ¡Peligro de daños materiales!

Al apagarse mediante el controlador de la batería la batería ya no dispone de su capacidad de carga completa, evite continuos arranques o poner en funcionamiento otros consumidores de corriente sin haber recargado la batería. Asegúrese de recargar la batería.

En el modo "HIGH" el controlador de batería se activa antes que en el nivel "LOW" y "MED" (véase la siguiente tabla).

Modo de controlador de la batería	LOW	MED	HIGH
Tensión de desconexión a 12 V	10,1 V	11,4 V	11,8 V
Tensión de reconexión a 12 V	11,1 V	12,2 V	12,6 V
Tensión de desconexión a 24 V	21,5 V	24,1 V	24,6 V
Tensión de reconexión a 24 V	23,0 V	25,3 V	26,2 V

Para cambiar el modo del controlador de la batería, proceda como sigue:

- Encienda la nevera.
- Pulse el botón "SET" (fig. 2 4, página 3) tres veces.
- Ajuste con las teclas "UP +" (fig. 2 6, página 3) o "DOWN -" (fig. 2 7, página 3) el modo del controlador de la batería.
- ✓ El display indica durante unos segundos el modo del controlador de la batería. El display parpadea algunas veces antes de volver a mostrar la temperatura actual.

**NOTA**

Cuando la nevera está alimentada por la batería de arranque, seleccione el modo de controlador de la batería "HIGH". Cuando la nevera está alimentada por la batería de abastecimiento, es suficiente el modo de controlador de la batería "LOW".

Cuando utilice la nevera conectada a la red de corriente alterna, ponga el controlador de la batería en la posición "LOW".

7.5 Uso de la nevera

**¡AVISO! ¡Peligro de sobrecalentamiento!**

Asegúrese todo el tiempo de que el calor producido durante el funcionamiento se pueda desalojar adecuadamente. Evite que se obstruyan las ranuras de ventilación. Asegúrese de que el aparato guarde la suficiente distancia con las paredes u objetos, de forma que el aire pueda circular.

- Coloque la nevera sobre una base firme.
Procure que no se obstruyan las ranuras de ventilación y que el aire recalentado se evacue correctamente.
- Conecte la nevera, véase capítulo "Conexión de la nevera" en la página 53.

**NOTA**

Cuando utilice la nevera conectada a la red de corriente alterna, ponga el controlador de la batería en la posición "LOW".

**¡AVISO! ¡Peligro debido a temperatura demasiado baja!**

¡Asegúrese de que en la nevera solo hay objetos o productos que puedan enfriarse a la temperatura seleccionada.

- Pulse el botón "ON/OFF" (fig. 2 1, página 3) durante uno o dos segundos.
- ✓ El LED "POWER" se ilumina.
- ✓ La pantalla (fig. 2 5, página 3) se enciende e indica la temperatura de enfriado actual.

**NOTA**

La temperatura indicada se refiere al centro del compartimiento interior. La temperatura de otras partes puede ser diferente.

- ✓ La nevera empezará a refrigerar el interior.

**NOTA**

Durante el funcionamiento con batería, la pantalla se apaga automáticamente si la tensión de la batería es baja. El LED "POWER" parpadea en naranja.

7.6 Ajustar la temperatura

- ▶ Pulse el botón "SET" (fig. **2** 4, página 3) una vez.
- ▶ Ajuste la temperatura de enfriamiento con las teclas "UP +" (fig. **2** 6, página 3) o "DOWN -" (fig. **2** 7, página 3).
- ✓ La pantalla indica, durante unos segundos, la temperatura de enfriado ajustada. El display parpadea algunas veces antes de volver a mostrar la temperatura actual.

7.7 Desconectar la nevera

- ▶ Vacíe la nevera.
- ▶ Desconecte la nevera.
- ▶ Desenchufe el cable de alimentación.

Si no va a usar la nevera durante un largo período de tiempo:

- ▶ Deje la tapa de la nevera ligeramente abierta. De esta forma, evitará la aparición de olores.

7.8 Descongelar la nevera

Es posible que la humedad del aire se deposite en forma de escarcha en el evaporador o en el interior de la nevera, disminuyendo de este modo la potencia frigorífica. Descongele la nevera para evitarlo.



¡AVISO! ¡Peligro de daños en el aparato!

Nunca utilice herramientas duras o puntiagudas para retirar capas de hielo o soltar productos que se hayan adherido al congelarse.

Para descongelar la nevera, proceda como se indica a continuación:

- Saque los productos del interior de la nevera.
- En caso necesario, coloque los productos en otro refrigerador para mantenerlos fríos.
- Desconecte el aparato.
- Deje abierta la tapa de la nevera.
- Seque con un paño el agua descongelada.

7.9 Sustitución del fusible de corriente alterna



¡ADVERTENCIA! ¡Peligro de muerte por descarga eléctrica!

Desenchufe el cable de conexión antes de cambiar el fusible del aparato.

- Desenchufe el cable de alimentación.
- Saque el juego de fusibles (fig. **3** 2, página 3) con un desatornillador, por ejemplo.
- Cambie el fusible averiado por otro nuevo del mismo valor (T2,5AL 250 V).
- Presione el juego de fusibles en la carcasa.

7.10 Cambiar el fusible de la clavija (corriente continua)

- Saque el casquillo de compensación (fig. **6** 4, página 5) del enchufe.
- Desatornille el tornillo (fig. **6** 5, página 5) de la mitad superior de la carcasa (fig. **6** 1, página 5).
- Levante con cuidado la mitad superior de la carcasa separándola de la mitad inferior (fig. **6** 6, página 5).
- Extraiga la clavija de contacto (fig. **6** 3, página 5).
- Sustituya el fusible estropeado (fig. **6** 2, página 5) por uno nuevo del mismo tipo y valor (3AG, Fast Acting, 8 A).
- Vuelva a montar la clavija procediendo en el orden inverso.

7.11 Cambiar la bombilla

- Presione hacia abajo el pasador (fig. **7** 2, página 5), de forma que la pieza transparente (fig. **7** 1, página 5) de la lámpara se pueda extraer hacia delante.
- Cambie el elemento luminoso.



NOTA

Los LEDs del elemento luminoso tienen que estar orientados hacia la pieza transparente de la lámpara.

- Vuelva a introducir la pieza transparente de la lámpara en la carcasa.

8 Limpieza y mantenimiento



¡ADVERTENCIA!

Desconecte el aparato de la red antes de proceder con la limpieza o el mantenimiento del mismo.



¡AVISO! ¡Peligro de ocasionar daños materiales!

- Nunca limpie la nevera bajo el chorro de agua corriente ni inmersa en agua jabonosa.
- No emplee productos de limpieza corrosivos u objetos que puedan arañar o deteriorar el aparato durante su limpieza.

- Limpie de vez en cuando el interior y el exterior de la nevera con un paño húmedo.
- Asegúrese de que las aberturas de ventilación y desaireación del aparato están limpias de polvo para que se pueda evacuar el calor generado durante el funcionamiento y el aparato no resulte perjudicado.

9 Garantía legal

Rige el plazo de garantía legal. Si el producto presenta algún defecto, diríjase a la sucursal del fabricante de su país (ver direcciones en el dorso de estas instrucciones) o a su establecimiento especializado.

Para la tramitación de la reparación y de la garantía debe enviar también los siguientes documentos:

- una copia de la factura con fecha de compra,
- el motivo de la reclamación o una descripción de la avería.

10 Solución de averías

Avería	Posible causa	Propuesta de solución
El aparato no funciona, el LED no se ilumina.	No se ha detectado ninguna tensión en la fuente de alimentación de corriente continua.	En la mayoría de los vehículos, la ignición debe estar encendida antes de alimentar corriente a la caja de enchufe de CC.
	La caja de enchufe de tensión alterna no conduce tensión.	Inténtelo en otra toma.
	El fusible del aparato está averiado.	Cambie el fusible del aparato, véase capítulo "Sustitución del fusible de corriente alterna" en la página 59.
	El adaptador de la fuente de alimentación integrado está averiado.	Solo un servicio de atención al cliente autorizado puede realizar la reparación.
El aparato no enfría (la clavija está conectada, el LED "POWER" se ilumina).	Compresor averiado.	Solo un servicio de atención al cliente autorizado puede realizar la reparación.
El aparato no enfría (el enchufe está enchufado, el LED "POWER" parpadea en naranja, la pantalla está desconectada).	El modo del controlador de la batería es demasiado alto	Ajuste el controlador de la batería a un modo más bajo.
	La tensión de batería no es suficiente.	Compruebe la batería y cárguela si fuera necesario.
Funcionamiento con conexión a la toma de corriente continua: El encendido está conectado, pero el aparato no funciona y el LED no está iluminado.	La caja de enchufe de corriente continua está sucia. En consecuencia, el contacto eléctrico es defectuoso.	Si la clavija se calienta demasiado en la caja de enchufe de CC, puede que sea necesario limpiar la caja de enchufe de CC o que la clavija no se haya montado correctamente.
	El fusible del enchufe de corriente continua está fundido.	Cambie el fusible en la clavija de corriente continua, véase capítulo "Cambiar el fusible de la clavija (corriente continua)" en la página 60.
	Se ha fundido el fusible del vehículo.	Cambie el fusible de la caja de enchufe de corriente continua del vehículo. Consulte para ello las instrucciones de uso del vehículo.

Avería	Posible causa	Propuesta de solución
La pantalla muestra un mensaje de error (p. ej. "Err1") y el aparato no enfría.	El aparato se ha apagado por un fallo interno.	Solo un servicio de atención al cliente autorizado puede realizar la reparación.
La iluminación interior de un compartimiento parpadea.	La tapa del compartimiento se dejó abierta durante más de tres minutos.	Cierre la tapa del compartimiento.


11 Eliminación de desechos

- Deseche el material de embalaje en el contenedor de reciclaje correspondiente.



Cuando vaya a desechar definitivamente el producto, infórmese en el centro de reciclaje más cercano o en un comercio especializado sobre las normas pertinentes de eliminación de materiales.

12 Datos técnicos

	CF80	CF110
Tensión de conexión:	12/24 V \equiv y 120 V \sim	
Corriente nominal:	7 A/12 V \equiv 3 A/24 V \equiv 1,4 A/120 V \sim	
Gama de temperatura de refrigeración:	+10 °C hasta -18 °C (+50 °F hasta 0 °F)	
Capacidad bruta:	80 l (2,83 cu.ft.)	106 l (3,74 cu.ft.)
Capacidad útil:	79 l (2,79 cu.ft.)	105 l (2,71 cu.ft.)
Clase climática:	N, ST, T	
Temperatura ambiente:	de +16 °C à +43 °C (+61 °F à +100 °F)	
Emisiones de ruido:	45 dB(A)	
Cantidad de refrigerante:	60 g (2,12 oz)	
Equivalente a CO ₂ :	0,086 t (189,60 lbs)	
Índice GWP:	1430	
Medidas (l x h x a) en mm (in.):	790 x 455 x 500 (31,1 x 17,9 x 19,6)	790 x 555 x 500 (31,1 x 21,9 x 19,6)
Peso:	34 kg (75 lbs)	37 kg (81,5 lbs)
Inspección/Certificados:	 File No: SA12891	



NOTA

En el caso de temperaturas ambiente superiores a 32 °C (90 °F) ya no será posible alcanzar la temperatura mínima.

El circuito de refrigeración contiene R134a.

Contiene gases de efecto invernadero fluorados

Aparato sellado herméticamente

Por favor, leia atentamente este manual antes da colocação em funcionamento do aparelho e guarde-o em local seguro. Em caso de revenda do aparelho, entregue o manual ao novo comprador.

O fabricante não se responsabiliza por danos resultantes de uma **utilização inadequada** ou de uma **operação incorrecta**.

Índice

1	Explicação dos símbolos	66
2	Indicações de segurança	66
2.1	Segurança geral	66
2.2	Segurança durante a utilização do aparelho	68
3	Material fornecido	69
4	Acessórios	69
5	Utilização adequada	69
6	Descrição do funcionamento	70
6.1	Elementos de comando e de indicação	71
6.2	Elementos de ligação	71
7	Operação	72
7.1	Antes da primeira utilização	72
7.2	Dicas sobre a economia de energia	73
7.3	Conectar a geleira	73
7.4	Utilizar o monitorizador da bateria	75
7.5	Utilizar a geleira	77
7.6	Regular a temperatura	78
7.7	Desligar a geleira	78
7.8	Descongelar a geleira	78
7.9	Substituir o fusível da corrente alternada	79
7.10	Substituir o fusível da ficha (corrente contínua)	79
7.11	Substituir o corpo luminoso	79
8	Limpeza e manutenção	80
9	Garantia	80

10	Resolução de falhas	81
11	Eliminação	82
12	Dados técnicos	83

1 Explicação dos símbolos



PERIGO!

Indicação de segurança: o incumprimento causa a morte ou ferimentos graves.



AVISO!

Indicação de segurança: o incumprimento pode provocar a morte ou ferimentos graves.



PRECAUÇÃO!

Indicação de segurança: o incumprimento pode provocar ferimentos.



NOTA!

O incumprimento pode causar danos materiais e pode prejudicar o funcionamento do produto.



OBSERVAÇÃO

Informações suplementares sobre a operação do produto.

2 Indicações de segurança

2.1 Segurança geral



AVISO!

- Quando o aparelho apresentar danos visíveis, ele não deve ser colocado em funcionamento.
- Quando o cabo de conexão for danificado, o mesmo tem de ser substituído pelo fabricante, pela sua assistência técnica ou por uma pessoa com qualificações equivalentes para evitar perigos.

- As reparações neste aparelho apenas devem ser realizadas por técnicos especializados. As reparações inadequadas podem provocar perigos substanciais.
- Este aparelho pode ser utilizado por crianças a partir dos 8 anos, assim como por pessoas com capacidades físicas, sensoriais ou mentais reduzidas e/ou com insuficiente experiência e conhecimento, quando supervisionadas ou quando tenham recebido informação acerca da utilização segura do aparelho e tenham compreendido os perigos dele resultantes.
- A limpeza e a manutenção por parte do utilizador não podem ser efetuadas por crianças sem supervisão.
- As crianças não podem brincar com o aparelho.
- As crianças devem ser supervisionadas para garantir que não brincam com o aparelho.
- Guarde e utilize o aparelho fora do alcance de crianças com idade inferior a 8 anos.
- Não guarde as substâncias com risco de explosão, como p.ex. latas de spray com gás carburante inflamável, no aparelho.



PRECAUÇÃO!

- Separe o aparelho da rede
 - antes de cada limpeza e conservação
 - após cada utilização
- Os géneros alimentícios apenas podem ser armazenados nas embalagens originais ou recipientes adequados.



NOTA!

- Compare a indicação da tensão na placa de características com a alimentação de energia existente.
- Conecte o aparelho apenas do seguinte modo:
 - com o cabo de ligação DC à tomada de bordo DC no veículo.
 - ou com o cabo de ligação de AC à rede de corrente alternada
- Nunca retire a ficha da tomada eléctrica puxando pelo cabo de conexão.
- Se a geleira estiver ligada à tomada DC: Desconecte a sua geleira e outros consumidores da bateria antes de conectar um carregador rápido.
- Se a geleira estiver ligada à tomada DC: Separe a ligação ou desligue a geleira se desligar o motor. Caso contrário, a bateria pode ficar descarregada.

- A geleira não é adequada para o transporte de substâncias corrosivas ou substâncias com solventes.
- Este aparelho contém ciclopentano inflamável no isolamento. Os gases no material de isolamento requerem um processo de eliminação especial. No final da sua vida útil, entregue o aparelho num ponto de eliminação apropriado.

2.2 Segurança durante a utilização do aparelho



PRECAUÇÃO!

- Antes da colocação em funcionamento, tenha atenção para que o cabo de conexão e a ficha estejam secos.



NOTA!

- Não utilize aparelhos eléctricos dentro da geleira, excepto se estes aparelhos tiverem sido recomendados pelo fabricante.
- Não coloque o aparelho na proximidade de chamas abertas ou outras fontes de calor (aquecimento, radiação solar intensa, fogões a gás, etc.).
- **Perigo de sobreaquecimento!**
Tenha sempre atenção para que o calor gerado durante o funcionamento possa ser dissipado adequadamente. Certifique-se de que o aparelho está posicionado com uma distância suficiente em relação a paredes ou objectos de modo a que o ar possa circular livremente.
- Tenha atenção para que as aberturas de ventilação não sejam cobertas.
- Não verta líquidos ou gelo para dentro do recipiente interior.
- Nunca mergulhe o aparelho em água.
- Proteja o aparelho e os cabos do calor e da humidade.

3 Material fornecido

fig. 1, página 3, mostra o material fornecido.

Item	Quant.	Designação
1	1	Geleira
2	1	Cabo de conexão para 12/24 V \equiv
3	1	Cabo de conexão para 120 V \sim
4	2	Pega constituída por: <ul style="list-style-type: none"> - 2 suportes - 1 punho - 4 parafusos de fixação
-	1	Manual de instruções

4 Acessórios

Disponível como acessório (não incluído no material fornecido):

Designação	N.º ref.
Bolsa térmica para CF80	9600003797
Bolsa térmica para CF100	9600003798

Em caso de dúvidas quanto a acessórios, entre em contacto com o seu parceiro de assistência técnica.

5 Utilização adequada

A geleira é adequada para refrigerar e congelar géneros alimentícios.

A geleira está concebida para a operação:

- numa rede de corrente contínua de um veículo, embarcação ou autocaravana
- com uma bateria de alimentação de corrente contínua
- numa rede de corrente alternada

A geleira foi concebida para a utilização doméstica e outras áreas de utilização semelhantes como por exemplo

- em copas de lojas, escritórios e outras áreas de trabalho
- na agricultura
- por hóspedes em hotéis, motéis ou outros alojamentos
- em pensões com pequeno-almoço
- no Catering e outras utilizações semelhantes no comércio grossista



PRECAUÇÃO! Risco para a saúde!

Por favor, verifique se a capacidade de refrigeração do aparelho cumpre os requisitos dos géneros alimentares ou dos medicamentos que pretende refrigerar.

6 Descrição do funcionamento

A geleira permite refrigerar ou congelar géneros alimentícios. Um sistema de refrigeração rápido e eficiente com um compressor e um módulo de controlo proporciona um desempenho de refrigeração que não necessita de manutenção.

A geleira é adequada para a utilização móvel e pode ser transportada com duas pegas (des)montáveis.

A geleira pode ser exposta a uma inclinação temporária de 30°, por exemplo, durante a utilização em embarcações.

Âmbito de funções:

- Fonte de alimentação com ligação prioritária à corrente alternada
- Monitorizador da bateria com três níveis para protecção da bateria do veículo
- Modo Turbo comandado por programa para arrefecimento mais rápido
- O mostrador com indicação da temperatura (é desligado automaticamente quando a tensão da bateria está muito baixa)
- Regulação da temperatura (com duas teclas em passos de 1 °C/2 °F)
- Pegas desmontáveis

6.1 Elementos de comando e de indicação

Painel de comando (fig. **2**, página 3)

Item	Designação	Explicação
1	ON OFF	Liga ou desliga a geleira quando o botão é pressionado durante um a dois segundos
2	POWER	Indicação de funcionamento LED acende a verde: compressor ligado LED acende a laranja: compressor desligado LED pisca a laranja: o mostrador foi desligado automaticamente por causa da tensão da bateria estar demasiado baixa
3	ERROR	LED pisca a vermelho: o aparelho está ligado mas não está em condições de funcionamento
4	SET	Selecciona o modo de introdução – Regulação da temperatura – Indicação em °Centígrados ou °Fahrenheit – Regular o monitorizador da bateria
5	–	O mostrador indica os valores
6	UP +	Ao tocar uma vez, aumenta o valor introduzido seleccionado
7	DOWN –	Ao tocar uma vez, diminui o valor introduzido seleccionado

6.2 Elementos de ligação

Tomadas de ligação (fig. **3**, página 3):

Item	Designação
1	Tomada de ligação da alimentação de tensão alternada
2	Porta-fusíveis
3	Tomada de ligação da alimentação de tensão contínua

7 Operação

7.1 Antes da primeira utilização



OBSERVAÇÃO

Antes de colocar a nova geleira em funcionamento deverá limpar o interior e o exterior com um pano húmido por razões de higiene (ver também capítulo “Limpeza e manutenção” na página 80).

As pegas são fornecidas de modo solto. Se pretender montar as pegas, proceda do seguinte modo:

- ▶ Encaixe juntamente dois suportes (fig. **4** 1, página 4) e um punho (fig. **4** 2, página 4) para cada pega.
- ▶ Fixe a pega, com os parafusos que fazem parte do material fornecido, nas perfurações previstas para o efeito.

Seleccionar a unidade de temperatura

Poderá seleccionar a indicação de temperatura entre os valores para °Centígrados e °Fahrenheit. Para esse efeito, proceda do seguinte modo:

- ▶ Ligue a geleira.
- ▶ Prima duas vezes o botão “SET” (fig. **2** 4, página 3).
- ▶ Regule a unidade de temperatura para °Centígrados ou °Fahrenheit com os botões “UP +” (fig. **2** 6, página 3) ou “DOWN –” (fig. **2** 7, página 3).
- ✓ O mostrador indica, durante alguns segundos, a unidade de temperatura que foi regulada. O mostrador pisca algumas vezes antes de voltar a apresentar a temperatura actual.

Inverter a direção de abertura da tampa

As dobradiças da porta podem ser movidas para o lado oposto caso pretenda que a abertura se faça na direção oposta. Proceda da seguinte forma:

- ▶ Abra os bloqueios.
- ▶ Remova os parafusos dos bloqueios e remova os bloqueios (fig. **5** 1, página 4).
- ▶ Remova os parafusos das dobradiças e remova a tampa (fig. **5** 2, página 4).
- ▶ Coloque as dobradiças nas novas posições.
- ▶ Coloque os bloqueios nas novas posições.

7.2 Dicas sobre a economia de energia

- Escolha um local de utilização bem arejado e protegido de raios solares.
- Primeiro, deixe as refeições quentes arrefecer antes de as manter frescas.
- Não abra a geleira mais do que as vezes necessárias.
- Não deixe a geleira aberta mais tempo do que o necessário.
- Descongele a geleira logo que se formar uma camada de gelo.
- Evite uma temperatura interna desnecessariamente baixa.

7.3 Conectar a geleira

Extensão de corrente alternada



AVISO!

Devido a potenciais riscos de segurança em determinadas condições, o fabricante recomenda expressamente que não sejam utilizadas extensões. No entanto, se precisar de utilizar uma extensão, é indispensável que utilize uma extensão para eletrodomésticos certificada pela UL (nos Estados Unidos) ou certificada pela CSA (no Canadá), com classificação elétrica de 10 A (mínimo) e 120 V.



PRECAUÇÃO!

- Não deve em **nenhuma circunstância** tentar juntar extensões.
- **Não** utilize distribuidores adicionais ou derivadores de duas saídas.
- Desenrole sempre extensões eventualmente utilizadas para evitar acumulação de calor ou que derretam.

- Selecione uma extensão para utilização ao ar livre, certificada pela UL/CSA de 120 V~/≥ 10 A, de acordo com a seguinte tabela:

120 V~	Comprimento máximo do cabo			
	10 ft (3 m)	25 ft (7,6 m)	50 ft (15,2 m)	100 ft (30,5 m)
Fios condutores	3	3	3	3
AWG	14 (1,6 mm ²)	12 (2 mm ²)	12 (2 mm ²)	12 (2 mm ²)

Extensão de corrente contínua



PRECAUÇÃO!

- O fabricante **não** recomenda a utilização de nenhum tipo de extensão de corrente contínua.
- Não deve em **nenhuma circunstância** tentar juntar extensões.
- **Não** utilize distribuidores adicionais ou derivadores de duas saídas.
- Desenrole sempre extensões eventualmente utilizadas para evitar acumulação de calor ou que derretam.

- Selecione uma extensão para utilização em automóveis de 12 V/24 V \equiv /≥ 10 A, de acordo com a seguinte tabela:

Comprimento máximo do cabo				
12 V\equiv	3 ft (0,9 m)	6 ft (1,8 m)	10 ft (3 m)	12 ft (3,7 m)
24 V\equiv	6 ft. (1,8 m)	10 ft. (3 m)	15 ft. (4,6 m)	25 ft. (7,6 m)
AWG	14 (1,6 mm ²)	12 (2 mm ²)	10 (2,6 mm ²)	8 (3,3 mm ²)

Conectar a uma bateria (carro ou barco)

A geleira pode funcionar com 12 V \equiv ou 24 V \equiv .



NOTA! Perigo de danos!

Desligue a geleira e outros consumidores da bateria antes de carregar a mesma com um carregador rápido.

As sobretensões podem danificar o sistema eletrónico dos aparelhos.

Para efeitos de segurança, a geleira está equipada com uma proteção eletrónica contra a inversão da polaridade quando é ligada à bateria e que também protege a geleira contra curto-circuitos.

Utilizar o cabo de conexão de corrente contínua com fusível



NOTA! Perigo de danos!

Para proteger o aparelho, a ficha do cabo de conexão de corrente contínua fornecido está equipada com um fusível. **Não** remova a ficha de corrente contínua protegida.

Utilize exclusivamente o cabo de conexão de corrente contínua fornecido.

- ▶ Ligue o cabo de conexão de corrente contínua (fig. **1** 2, página 3) à tomada de tensão em corrente contínua da geleira (fig. **3** 3, página 3).
- ▶ Ligue o cabo de conexão à tomada de corrente contínua.

Ligação a uma fonte de alimentação de corrente alternada (por exemplo no escritório ou em casa)



PERIGO! Perigo devido a choque elétrico!

- Nunca manipule as fichas e os interruptores quando tiver as mãos molhadas ou quando tiver os pés em pavimento molhado.
- Se estiver a utilizar a geleira a bordo de um barco com ligação a uma rede de corrente alternada de 120 V~, deverá sempre instalar um disjuntor diferencial entre a fonte de alimentação de corrente alternada de 120 V e a geleira.
Solicite o parecer de um técnico especializado.

As geleiras possuem abastecimento integrado de múltiplas tensões com sistema de ligação prioritária a uma fonte de tensão de corrente alternada. O sistema de ligação prioritária comuta automaticamente o aparelho para o funcionamento com a rede elétrica, se o aparelho estiver ligado a uma fonte de alimentação de corrente alternada, mesmo se o cabo de conexão de CC ainda estiver conectado.

Ao comutar entre a alimentação de corrente alternada e a alimentação por bateria, o LED vermelho pode ficar aceso por alguns minutos.

- ▶ Ligue o cabo de alimentação de corrente alternada (fig. **1** 3, página 3) à tomada de tensão em corrente alternada da geleira (fig. **3** 1, página 3).
- ▶ Ligue o cabo de alimentação à tomada de corrente alternada.

7.4 Utilizar o monitorizador da bateria

O aparelho está equipado com um monitorizador da bateria que protege a bateria do carro contra uma descarga profunda ao estar ligada à rede de bordo de CC.

Se a geleira for operada com a ignição do veículo desligada, ela desliga-se automaticamente logo que a tensão de alimentação descer abaixo de um valor regulado. A geleira liga-se novamente assim que a tensão de activação for alcançada graças ao carregamento da bateria.



NOTA! Perigo de danos!

Quando a bateria é desligada pelo interruptor auxiliar, ela já não tem a capacidade de carga completa, evite arranques repetidos e a utilização de consumidores de corrente que não tenham fases de carregamento prolongadas. Tenha atenção para que a bateria seja recarregada.

No modo "HIGH", o monitorizador da bateria é mais rapidamente activado do que nos níveis "LOW" e "MED" (ver seguinte tabela).

Modo do monitorizador da bateria	LOW	MED	HIGH
Tensão de desactivação a 12 V	10,1 V	11,4 V	11,8 V
Tensão de activação a 12 V	11,1 V	12,2 V	12,6 V
Tensão de desactivação a 24 V	21,5 V	24,1 V	24,6 V
Tensão de activação a 24 V	23,0 V	25,3 V	26,2 V

Para alterar o modo do monitorizador da bateria, proceda do seguinte modo:

- ▶ Ligue a geleira.
- ▶ Prima três vezes o botão "SET" (fig. 2 4, página 3).
- ▶ Regule o modo do monitorizador da bateria com os botões "UP +" (fig. 2 6, página 3) ou "DOWN -" (fig. 2 7, página 3).
- ✓ O mostrador indica, durante alguns segundos, o modo regulado. O mostrador pisca algumas vezes antes de voltar a apresentar a temperatura actual.



OBSERVAÇÃO

Quando a geleira é alimentada pela bateria de arranque, seleccione o modo do monitorizador da bateria "HIGH". Quando a geleira está conectada a uma bateria de alimentação, é suficiente o modo do monitorizador da bateria "LOW".

Quando pretender operar a geleira na rede de corrente alternada, regule o monitorizador da bateria para "LOW".

7.5 Utilizar a geleira



NOTA! Perigo de sobreaquecimento!

Tenha sempre atenção para que o calor gerado durante o funcionamento seja dissipado adequadamente. Tenha atenção para que as aberturas de ventilação não sejam cobertas. Certifique-se de que o aparelho está posicionado com uma distância suficiente em relação a paredes ou objectos de modo a que o ar possa circular livremente.

- ▶ Pouse a geleira sobre uma superfície estável. Tenha atenção para que as aberturas de ventilação não sejam cobertas e o ar aquecido possa sair adequadamente.
- ▶ Conecte a geleira, ver capítulo “Conectar a geleira” na página 73.



OBSERVAÇÃO

Quando pretender operar a geleira na rede de corrente alternada, regule o monitorizador da bateria para “LOW”.



NOTA! Perigo devido a temperatura demasiado baixa!

Tenha atenção para que na geleira apenas se encontrem objectos ou produtos que possam ser refrigerados para a temperatura seleccionada.

- ▶ Prima o botão “ON/OFF” (fig. **2** 1, página 3) durante um a dois segundos.
- ✓ O LED “POWER” acende.
- ✓ O mostrador (fig. **2** 5, página 3) liga-se e indica a temperatura de refrigeração actual.



OBSERVAÇÃO

A temperatura indicada refere-se ao centro do interior. A temperatura pode apresentar desvios em outros locais.

- ✓ A geleira inicia a refrigeração do interior.



OBSERVAÇÃO

No funcionamento com uma bateria, o mostrador desliga automaticamente quando a tensão da bateria é demasiado baixa. O LED “POWER” pisca a laranja.

7.6 Regular a temperatura

- Prima uma vez o botão “SET” (fig. **2** 4, página 3).
- Regule a temperatura de refrigeração com os botões “UP +” (fig. **2** 6, página 3) ou “DOWN –” (fig. **2** 7, página 3).
- ✓ O mostrador indica, durante alguns segundos, a temperatura de refrigeração pretendida que foi regulada. O mostrador pisca algumas vezes antes de voltar a apresentar a temperatura actual.

7.7 Desligar a geleira

- Esvazie a geleira.
- Desligue a geleira.
- Retire o cabo de conexão da tomada.

Se não pretender utilizar a geleira durante um período de tempo mais prolongado:

- Deixe a tampa ligeiramente aberta. Deste modo, evita a formação de odores.

7.8 Descongela a geleira

A humidade do ar pode formar gelo no vaporizador ou no interior da geleira, o qual reduz a potência de arrefecimento. Descongele o aparelho atempadamente.



NOTA! Perigo de danos no aparelho!

Nunca utilize ferramentas duras ou pontiagudas para retirar as camadas de gelo ou para libertar objectos congelados.

Proceda do seguinte modo para descongelar a geleira:

- Retire os produtos congelados.
- Eventualmente, guarde os mesmos numa outra geleira para que eles permaneçam no frio.
- Desligue o aparelho.
- Deixe a tampa aberta.
- Limpe a água de degelo.

7.9 Substituir o fusível da corrente alternada



AVISO! Perigo de morte por choque eléctrico!

Antes da substituição do fusível do aparelho, retire o cabo de conexão.

- Retire os cabos de conexão das tomadas.
- Retire o encaixe do fusível (fig. **3** 2, página 3) utilizando, p. ex, com uma chave de fendas.
- Substitua o fusível queimado por um fusível novo com as mesmas características (T2,5AL 250 V).
- Volte a pressionar o encaixe do fusível para dentro da caixa.

7.10 Substituir o fusível da ficha (corrente contínua)

- Retire a bucha compensadora (fig. **6** 4, página 5) da ficha.
- Desaperte o parafuso (fig. **6** 5, página 5) da metade superior da caixa (fig. **6** 1, página 5).
- Levante cuidadosamente a metade superior da caixa da metade inferior (fig. **6** 6, página 5).
- Retire o pino de contacto (fig. **6** 3, página 5).
- Substitua o fusível defeituoso (fig. **6** 2, página 5) por um novo do mesmo tipo e com a mesma especificação (3AG, ação rápida, 8 A).
- Volte a montar a ficha na ordem inversa.

7.11 Substituir o corpo luminoso

- Pressione o pino de ligação (fig. **7** 2, página 5) para baixo de modo a que a parte transparente fig. **7** 1, página 5) da lâmpada possa ser retirada pela parte da frente.
- Substitua o corpo luminoso.



OBSERVAÇÃO

Os LEDs no corpo luminoso têm de estar alinhados para a parte transparente da lâmpada.

- Volte a colocar a parte transparente da lâmpada no corpo.

8 Limpeza e manutenção

**AVISO!**

Antes de cada limpeza e conservação, separe o aparelho da rede.

**NOTA! Perigo de danos!**

- Nunca limpe a geleira debaixo de água corrente nem dentro de água de lavar a loiça.
- Não utilize produtos de limpeza abrasivos ou objectos duros para a limpeza, uma vez que podem danificar a geleira.

- De vez em quando, limpe o interior e o exterior do aparelho com um pano húmido.
- Certifique-se que as aberturas de ventilação e extracção de ar do aparelho estão livres de pó e sujidade para que, durante o funcionamento, o ar quente possa ser extraído e o aparelho não seja danificado.

9 Garantia

É válido o prazo de garantia legal. Se o produto estiver com defeito, por favor, dirija-se à representação do fabricante no seu país (endereços, ver verso do manual) ou ao seu revendedor.

Para fins de reparação ou de garantia, terá de enviar os seguintes documentos em conjunto:

- uma cópia da factura com a data de aquisição,
- um motivo de reclamação ou uma descrição da falha.

10 Resolução de falhas

Falha	Possível causa	Sugestão de resolução
O aparelho não funciona, o LED não acende.	Não foi detetada tensão na fonte de corrente contínua.	Na maioria dos veículos, a ignição tem que ser ligada antes de ser possível fornecer energia à tomada de corrente contínua.
	A tomada de corrente alternada não conduz tensão.	Tente novamente noutra tomada.
	O fusível do aparelho está queimado.	Substitua o fusível do aparelho, ver capítulo "Substituir o fusível da corrente alternada" na página 79.
	O adaptador da fonte de alimentação integrada está avariado.	A reparação apenas pode ser realizada por um serviço de assistência técnica autorizado.
O aparelho não refrigera (ficha inserida na tomada, LED "POWER" acende).	Compressor avariado.	A reparação apenas pode ser realizada por um serviço de assistência técnica autorizado.
O aparelho não refrigera (ficha inserida na tomada, LED "POWER" pisca a laranja, mostrador desligado).	Modo do monitorizador da bateria demasiado alto.	Regule o monitorizador da bateria para um modo mais baixo.
	Tensão da bateria insuficiente.	Verifique a bateria e, se necessário, carregue-a.
Funcionamento na tomada de corrente contínua: a ignição está ligada, o aparelho não funciona e o LED não acende.	A tomada de corrente contínua está suja. Isto resulta num mau contacto elétrico.	Se a ficha da geleira ficar muito quente na tomada de corrente contínua, é necessário limpar a tomada ou é possível que a ficha não esteja montada corretamente.
	O fusível da ficha de corrente contínua está queimado.	Substitua o fusível da ficha de corrente contínua, ver capítulo "Substituir o fusível da ficha (corrente contínua)" na página 79.
	O fusível do veículo está queimado.	Substitua o fusível do veículo da tomada de corrente contínua. Consulte o manual de instruções do seu veículo.

Falha	Possível causa	Sugestão de resolução
O mostrador apresenta uma mensagem de erro (por exemplo "Err1") e o aparelho não refrigera.	Uma falha de funcionamento interna desligou o aparelho.	A reparação apenas pode ser realizada por um serviço de assistência técnica autorizado.
A iluminação interior de um compartimento pisca.	A tampa do compartimento foi deixada aberta durante mais de três minutos	Feche a tampa do compartimento.


11 Eliminação

- Sempre que possível, coloque o material de embalagem no respectivo contentor de reciclagem.



Para colocar o aparelho definitivamente fora de funcionamento, por favor, informe-se junto do centro de reciclagem mais próximo ou revendedor sobre as disposições de eliminação aplicáveis.

12 Dados técnicos

	CF80	CF110
Tensão de conexão:	12/24 V \equiv e 120 V \sim	
Corrente nominal:	7 A/12 V \equiv 3 A/24 V 1,4 A/120 V \sim	
Âmbito de refrigeração:	+10 °C a -18 °C (+50 °F a 0 °F)	
Volume bruta:	80 l (2,83 cu.ft.)	106 l (3,74 cu.ft.)
Volume útil:	79 l (2,79 cu.ft.)	105 l (2,71 cu.ft.)
Classe climática:	N, ST, T	
Temperatura ambiente:	de +16 °C à +43 °C (+61 °F à +100 °F)	
Emissões acústicas:	45 dB(A)	
Quantidade do agente de refrigeração:	60 g (2,12 oz)	
Equivalente a CO ₂ :	0,086 t (189,60 lbs)	
Potencial de aquecimento global (GWP):	1430	
Dimensões (L x A x P) em mm (in.):	790 x 455 x 500 (31,1 x 17,9 x 19,6)	790 x 555 x 500 (31,1 x 21,9 x 19,6)
Peso:	34 kg (75 lbs)	37 kg (81,5 lbs)
Verificação/Certificados:	 File No: SA12891	



OBSERVAÇÃO

A partir de temperaturas ambiente acima de 32 °C (90 °F), a temperatura mínima já não pode ser alcançada.

O circuito de refrigeração contém R134a.

Contém gases fluorados com efeito de estufa

Equipamento hermeticamente fechado

GERMANY**Dometic WAECO International GmbH**

Hollefeldstraße 63 · D-48282 Emsdetten
 ☎ +49 (0) 2572 879-0 · 📠 +49 (0) 2572 879-300
 Mail: info@dometic-waeco.de

dometic.com**AUSTRALIA****Dometic Australia Pty. Ltd.**

1 John Duncan Court
 Varsity Lakes QLD 4227
 ☎ 1800 212121
 📠 +61 7 55076001
 Mail: sales@dometic.com.au

AUSTRIA**Dometic Austria GmbH**

Neudorferstraße 108
 A-2353 Guntramsdorf
 ☎ +43 2236 908070
 📠 +43 2236 90807060
 Mail: info@dometic.at

BENELUX**Dometic Branch Office Belgium**

Zincstraat 3
 B-1500 Halle
 ☎ +32 2 3598040
 📠 +32 2 3598050
 Mail: info@dometic.be

BRAZIL**Dometic DO Brasil LTDA**

Avenida Paulista 1754, conj. 111
 SP 01310-920 Sao Paulo
 ☎ +55 11 3251 3352
 📠 +55 11 3251 3362
 Mail: info@dometic.com.br

DENMARK**Dometic Denmark A/S**

Nordensvej 15, Taulov
 DK-7000 Fredericia
 ☎ +45 75585966
 📠 +45 75586307
 Mail: info@dometic.dk

FINLAND**Dometic Finland OY**

Mestariitie 4
 FIN-01730 Vantaa
 ☎ +358 20 7413220
 📠 +358 9 7593700
 Mail: info@dometic.fi

FRANCE**Dometic SAS**

ZA du Pré de la Dame Jeanne
 B.P. 5
 F-60128 Pleilly
 ☎ +33 3 44633525
 📠 +33 3 44633518
 Mail: vehiculesdeloisirs@dometic.fr

HONG KONG**Dometic Group Asia Pacific**

Suites 2207-11 / 22/F - Tower 1
 The Gateway - 25 Canton Road,
 Tsim Sha Tsui - Kowloon
 ☎ +852 2 4611386
 📠 +852 2 4665553
 Mail: info@waeco.com.hk

HUNGARY**Dometic Zrt. Sales Office**

Kerekgyártó u. 5.
 H-1147 Budapest
 ☎ +36 1 468 4400
 📠 +36 1 468 4401
 Mail: budapest@dometic.hu

ITALY**Dometic Italy S.r.l.**

Via Virgilio, 3
 I-47122 Forlì (FC)
 ☎ +39 0543 754901
 📠 +39 0543 754983
 Mail: vendite@dometic.it

JAPAN**Dometic KK**

Maekawa-Shibaura, Bldg. 2
 2-13-9 Shibaura Minato-ku
 Tokyo 108-0023
 ☎ +81 3 5445 3333
 📠 +81 3 5445 3339
 Mail: info@dometic.jp

MEXICO**Dometic Mx, S. de R. L. de C. V.**

Circuito Médicos No. 6 Local 1
 Colonia Ciudad Satélite
 CP 53100 Naucalpan de Juárez
 Estado de México
 ☎ +52 55 5374 4108
 📠 +52 55 5393 4683
 Mail: info@dometic.com.mx

NETHERLANDS**Dometic Benelux B.V.**

Ecustraat 3
 NL-4879 NP Etten-Leur
 ☎ +31 76 5029000
 📠 +31 76 5029019
 Mail: info@dometic.nl

NEW ZEALAND**Dometic New Zealand Ltd.**

PO Box 12011
 Penrose
 Auckland 1642
 ☎ +64 9 622 1490
 📠 +64 9 622 1573
 Mail: customerservices@dometic.co.nz

NORWAY**Dometic Norway AS**

Østerøyveien 46
 N-3232 Sandefjord
 ☎ +47 33428450
 📠 +47 33428459
 Mail: firmapost@dometic.no

POLAND**Dometic Poland Sp. z o.o.**

Ul. Puławska 435A
 PL-02-801 Warszawa
 ☎ +48 22 414 3200
 📠 +48 22 414 3201
 Mail: info@dometic.pl

PORTUGAL**Dometic Spain, S.L.**

Branch Office em Portugal
 Rot. de São Gonçalo nº 1 – Esc. 12
 2775-399 Carcavelos
 ☎ +351 219 244 173
 📠 +351 219 243 206
 Mail: info@dometic.pt

RUSSIA**Dometic RUS LLC**

Komsomolskaya square 6-1
 RU-107140 Moscow
 ☎ +7 495 780 79 39
 📠 +7 495 916 56 53
 Mail: info@dometic.ru

SINGAPORE**Dometic Pte Ltd**

18 Boon Lay Way 06-140 Trade Hub 21
 Singapore 609966
 ☎ +65 6795 3177
 📠 +65 6862 6620
 Mail: dometic@dometic.com.sg

SLOVAKIA**Dometic Slovakia s.r.o. Sales Office Bratislava**

Nádražná 34/A
 900 28 Ivanka pri Dunaji
 ☎/📠 +421 2 45 529 680
 Mail: bratislava@dometic.com

SOUTH AFRICA**Dometic (Pty) Ltd.****Regional Office****South Africa & Sub-Saharan Africa**

2 Avalon Road
 West Lake View Ext 11
 Modderfontein 1645
 Johannesburg
 ☎ +27 11 4504978
 📠 +27 11 4504976
 Mail: info@dometic.co.za

SPAIN**Dometic Spain S.L.**

Avda. Sierra del Guadarrama, 16
 E-28691 Villanueva de la Cañada
 Madrid
 ☎ +34 91 833 60 89
 📠 +34 900 100 245
 Mail: info@dometic.es

SWEDEN**Dometic Scandinavia AB**

Gustaf Melins gata 7
 S-42131 Västra Frölunda
 ☎ +46 31 7341100
 📠 +46 31 7341101
 Mail: info@dometicgroup.se

SWITZERLAND**Dometic Switzerland AG**

Riedackerstrasse 7a
 CH-8153 Rümlang
 ☎ +41 44 8187171
 📠 +41 44 8187191
 Mail: info@dometic.ch

UNITED ARAB EMIRATES**Dometic Middle East FZCO**

P. O. Box 17860
 S-D 6, Jebel Ali Freezone
 Dubai
 ☎ +971 4 883 3858
 📠 +971 4 883 3868
 Mail: info@dometic.ae

UNITED KINGDOM**Dometic UK Ltd.**

Dometic House, The Brewery
 Blandford St. Mary
 Dorset DT11 9LS
 ☎ +44 344 626 0133
 📠 +44 344 626 0143
 Mail: customerservices@dometic.co.uk

USA**Dometic RV Division**

1120 North Main Street
 Elkhart, IN 46515
 ☎ +1 574-264-2131