

↗ DOMETIC

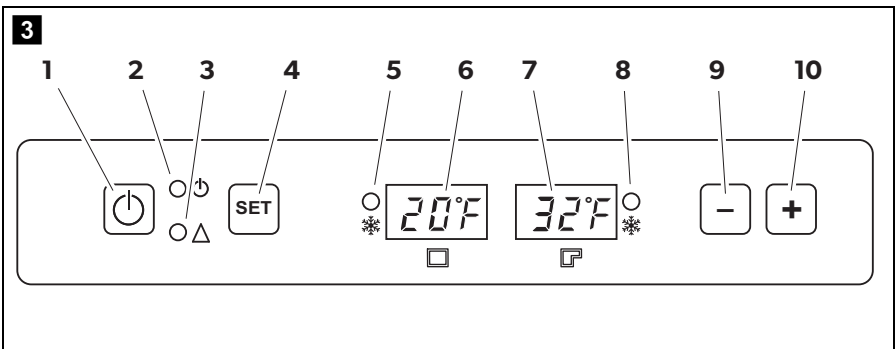
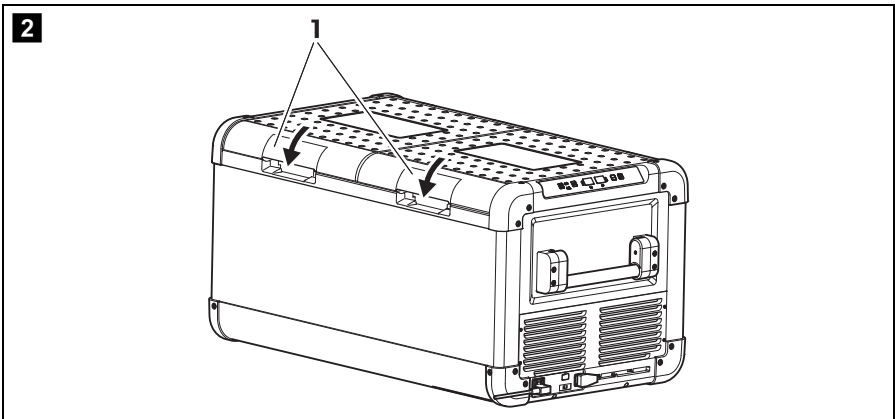
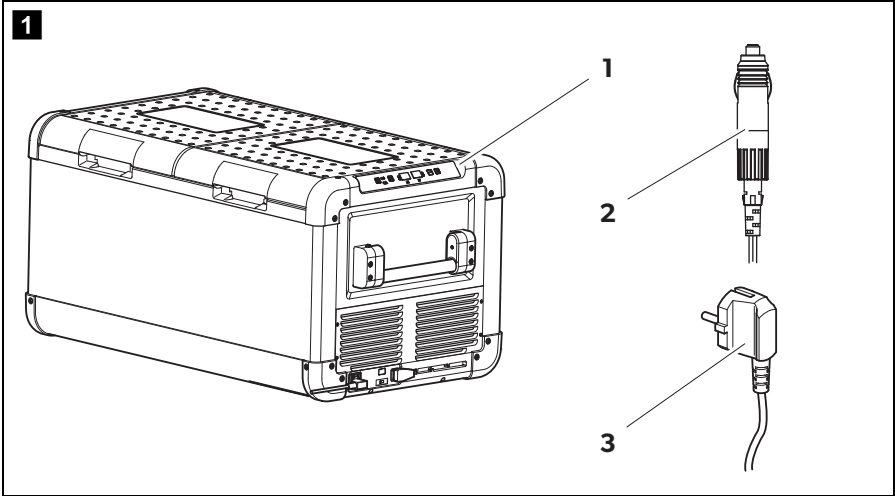
COOLING BOXES

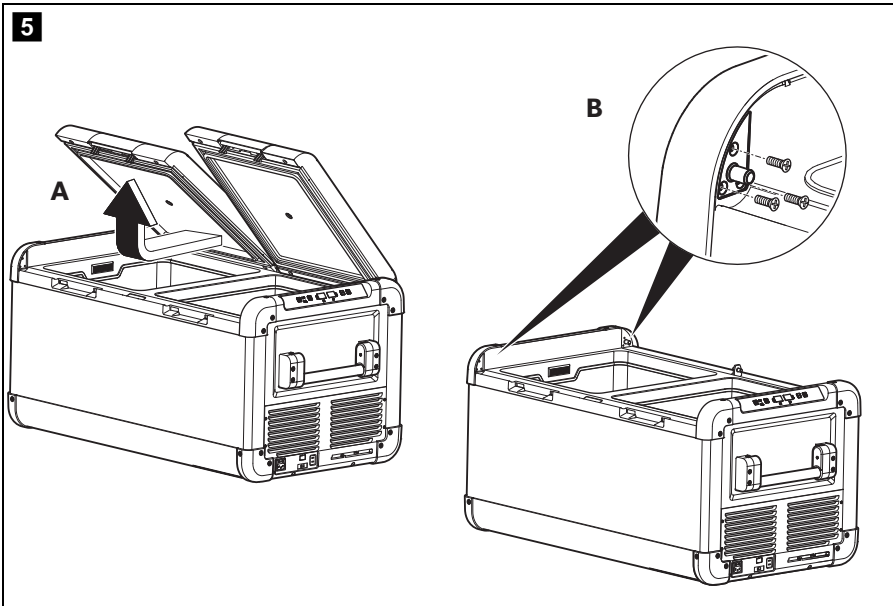
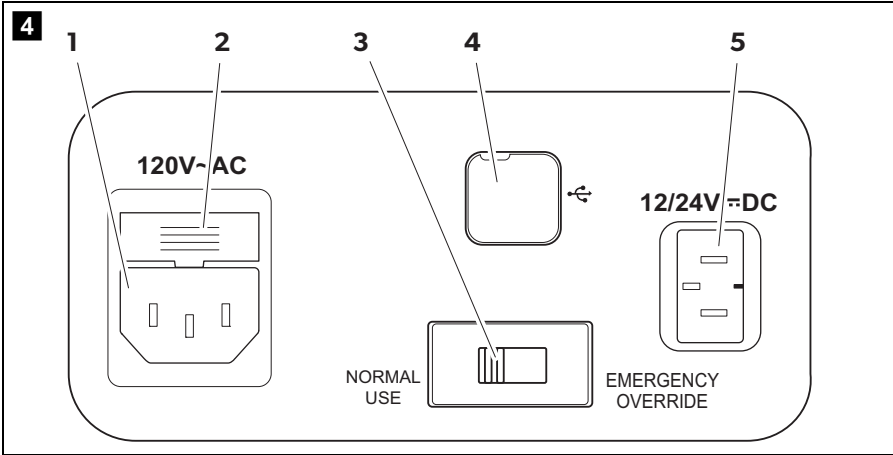
COOLFREEZE

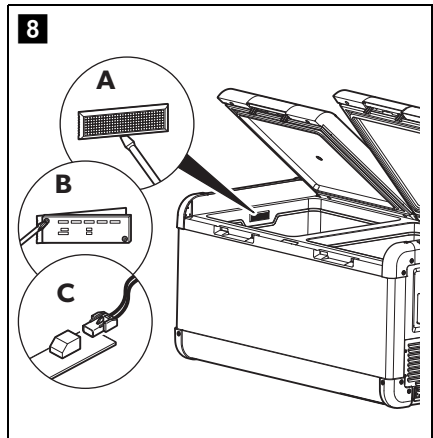
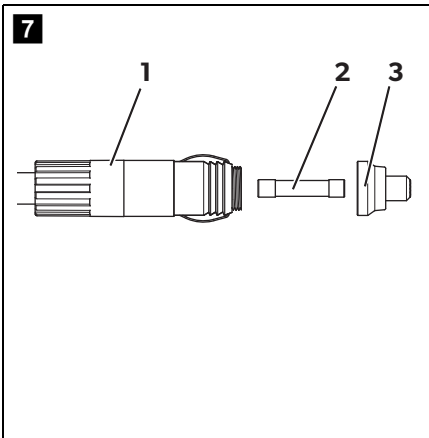
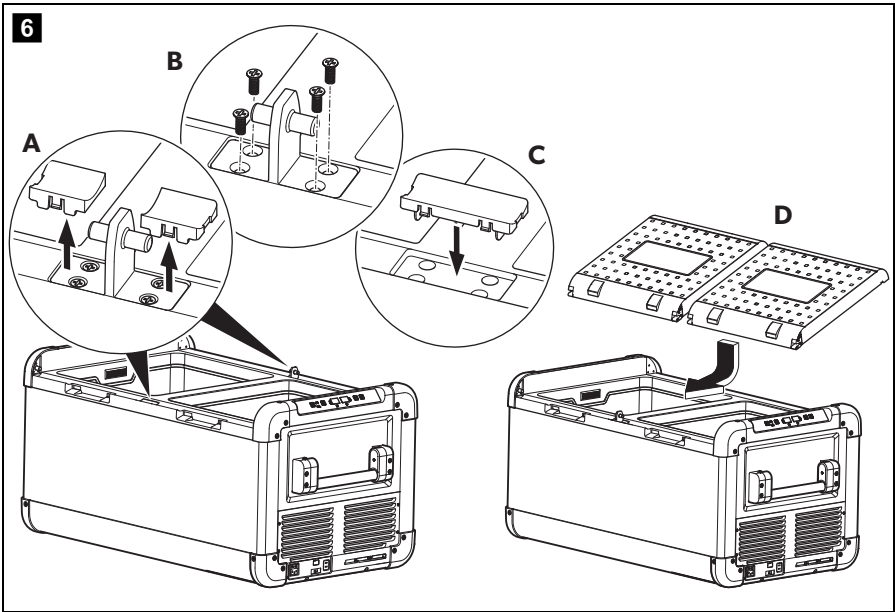


CFX75DZW, CFX95DZW

| | | |
|-----------|-------------------------------|----|
| EN | Compressor Cooler | |
| | Operating manual | 6 |
| FR | Glacière à compression | |
| | Notice d'utilisation | 29 |
| ES | Nevera por compresor | |
| | Instrucciones de uso | 54 |
| PT | Geleira com compressor | |
| | Manual de instruções | 79 |







Please read this operating manual carefully before starting the device. Keep it in a safe place for future reference. If the device is passed on to another person, this operating manual must be handed over to the user along with it.

The manufacturer cannot be held liable for damage resulting from **improper usage** or **incorrect operation**.

Contents

| | | |
|----------|--|----|
| 1 | Explanation of symbols | 7 |
| 2 | Safety instructions | 8 |
| 2.1 | General safety | 8 |
| 2.2 | Operating the device safely | 9 |
| 3 | Scope of delivery | 10 |
| 4 | Accessories | 10 |
| 5 | Intended use | 10 |
| 6 | Function description | 11 |
| 6.1 | Scope of functions | 12 |
| 6.2 | Operating and display elements | 12 |
| 7 | Operation | 14 |
| 7.1 | Before initial use | 14 |
| 7.2 | Energy saving tips | 15 |
| 7.3 | Connecting the cooler | 15 |
| 7.4 | Using the battery monitor | 16 |
| 7.5 | Using the cooler | 17 |
| 7.6 | Setting the temperature | 19 |
| 7.7 | Switching a compartment off or on | 19 |
| 7.8 | Enabling Wi-Fi signal for optional app | 20 |
| 7.9 | Set brightness of displays | 21 |
| 7.10 | Using the emergency switch | 22 |
| 7.11 | USB port for power supply | 22 |
| 7.12 | Switching off the cooler | 22 |
| 7.13 | Defrosting the cooler | 23 |
| 7.14 | Replacing the device fuse | 23 |
| 7.15 | Replacing the plug fuse (DC) | 24 |
| 7.16 | Replacing the light PCB | 24 |

| | | |
|-----------|---------------------------------------|----|
| 8 | Cleaning and maintenance | 24 |
| 9 | Troubleshooting | 25 |
| 10 | Guarantee | 26 |
| 11 | Disposal | 26 |
| 12 | Technical data | 26 |

1 Explanation of symbols



DANGER!

Safety instruction: Failure to observe this instruction will cause fatal or serious injury.



WARNING!

Safety instruction: Failure to observe this instruction can cause fatal or serious injury.



CAUTION!

Safety instruction: Failure to observe this instruction can lead to injury.



NOTICE!

Failure to observe this instruction can cause material damage and impair the function of the product.



NOTE

Supplementary information for operating the product.

2 Safety instructions

2.1 General safety



WARNING!

- Do not operate the device if it is visibly damaged.
- If this device's power cable is damaged, it must be replaced by the manufacturer, customer service or a similarly qualified person in order to prevent safety hazards.
- This device may only be repaired by qualified personnel. Improper repairs can lead to considerable hazards.
- This device can be used by children aged 8 years or over, as well as by persons with diminished physical, sensory or mental capacities or a lack of experience and/or knowledge, providing they are supervised or have been taught how to use the device safely and are aware of the resulting risks.
- Cleaning and user maintenance must not be carried out by children without supervision.
- Children must not play with the device.
- Children must be supervised to ensure that they do not play with the device.
- Always keep and use the device out of the reach of children under the age of 8 years.
- Do not store any explosive substances such as spray cans with a flammable propellant in the device.



CAUTION!

- Disconnect the device from the power supply
 - before each cleaning and maintenance
 - after every use
- Food may only be stored in its original packaging or in suitable containers.



NOTICE!

- Check that the voltage specification on the type plate corresponds to that of the energy supply.

- Only connect the device as follows:
 - With the DC cable to a DC plug socket in the vehicle (e. g. cigarette lighter)
 - Or with the AC connection cable to the AC mains supply
- Never pull the plug out of the socket by the cable.
- If the cooler is connected to the DC socket: Disconnect the cooler and other power consuming devices from the battery before connecting the quick charging device.
- If the cooler is connected to the DC socket: Disconnect the cooler or switch it off when you turn off the engine. Otherwise you may discharge the battery.
- The cooling device is not suitable for transporting caustic materials or materials containing solvents.
- The cooling device contains inflammable cyclopentane in the insulation. The gases in the insulation material require special disposal procedures. Deliver the device at the end of its life-cycle to an appropriate recycling.

2.2 Operating the device safely



CAUTION!

- Before starting the device, ensure that the power supply line and the plug are dry.
- Do not use extension cords.



NOTICE!

- Do not use electrical devices inside the cooler unless they are recommended by the manufacturer for the purpose.
- Do not place the device near naked flames or other heat sources (heaters, direct sunlight, gas ovens etc.).
- **Danger of overheating!**
Ensure at all times that there is sufficient ventilation so that the heat that arises during operation does not build up. Make sure that the device is sufficiently far away from walls and other objects so that the air can circulate.
- Ensure that the ventilation openings are not covered.
- Do not fill the inner container with ice or fluid.
- Never immerse the device in water.
- Protect the device and the cable against heat and moisture.

3 Scope of delivery

The scope of delivery is shown in fig. **1**, page 3.

| Item | Quantity | Description |
|------|----------|------------------------------------|
| 1 | 1 | Cooler |
| 2 | 1 | Connection cable for DC connection |
| 3 | 1 | Connection cable for AC connection |
| – | 1 | Operating manual |

4 Accessories

Available as accessory (not included in scope of delivery):

| Designation | Ref. no. |
|--|------------|
| Universal fixing kit (belt system) CFX-UFK | 9108300002 |

Visit the Dometic website (see back page) for information about a Wi-Fi app with control-, display- and alarm functions. Note that the app may not be available in your country.

5 Intended use

The cooling device is suitable for cooling and freezing foods. The cooling device is also suitable for use on boats.

The cooling device is designed to be operated from a DC on-board supply socket of a vehicle (e. g. cigarette lighter), boat or caravan as well as from an AC mains.

The cooling device is intended to be used in household and similar applications such as

- staff kitchen areas in shops, offices and other working environments
- farm houses
- clients in hotels, motels and other residential type environments
- bed and breakfast type environments
- catering and similar non-retail applications



**CAUTION! Health hazard!**

Please check if the cooling capacity of the device is suitable for storing the food or medicine you wish to cool.

6 Function description

The cooler can chill products, keep them cool as well as freeze them. A low maintenance refrigerant circuit with compressor provides the cooling. The generous insulation and powerful compressor ensure efficient and fast cooling.

The cooler has two separate compartments which can be adjusted independently. The cooler can be used in all combinations:

| Large compartment  | Small compartment  |
|--|--|
| Refrigerator | Freezer |
| Freezer | Refrigerator |
| Refrigerator | Refrigerator |
| Freezer | Freezer |

(Refer to chapter “Setting the temperature” on page 19 for further details)

The cooler is portable.

The cooler can withstand a heel (inclination) of 30°, for example when used on boats.

**NOTE**

The cabinet top surface under the lid gaskets may feel warm. This is normal as heating is included to prevent condensation.

6.1 Scope of functions



- Power supply with priority circuit for connecting to the AC mains
- Three-level battery monitor to protect the vehicle battery
- Display with temperature gauge in °C and °F switches off automatically at low battery voltage
- Independent settings, controls and displays for each compartment
- Temperature setting: With two buttons in steps of 1 °C (2 °F)
- Integrated Wi-Fi transmitter hence controllable using an app
- Lid open alarm
- USB port for power supply
- Emergency switch
- Foldable carrying handles
- Three removable wire baskets

6.2 Operating and display elements

Latch for lid: fig. 2 1, page 3

Operating panel (fig. 3, page 3)

| Item | Description | Explanation |
|------|-------------|--|
| 1 | ON OFF | Switches the cooler on or off when the button is pressed for between one and two seconds |
| 2 | POWER "⏻" | Status indication LED lights up green: Compressor is on LED lights up orange: Compressor is off LED flashes orange: Display switched off automatically due to low battery voltage |
| 3 | ERROR | LED flashes red: Device is switched on but not ready for operation |
| 4 | SET | Selects the input mode – Temperature setting (large/small compartment) – Celsius or Fahrenheit display – Set battery monitor – Set brightness of display – Turn Wi-Fi on or off |

| Item | Description | Explanation |
|------|--|--|
| 5 | Cooling large  | Status indication large compartment |
| | | LED lights up blue: compartment is cooling |
| | | LED off: compartment is not cooling |
| 6 | Display large | – Shows information for large compartment – Shows "OFF", when the compartment is switched off |
| 7 | Display small | – Shows information for small compartment – Shows "OFF", when the compartment is switched off |
| 8 | Cooling small  | Status indication small compartment |
| | | LED lights up blue: compartment is cooling |
| | | LED off: compartment is not cooling |
| 9 | DOWN – | Press once to decrease the value |
| 10 | UP + | Press once to increase the value |

Connection sockets, Emergency switch (when fitted) and USB port (fig. 4, page 4)

| Item | Description |
|------|-------------------------------------|
| 1 | Connection socket AC voltage supply |
| 2 | Fuse holder |
| 3 | Emergency switch |
| 4 | USB port for power supply |
| 5 | Connection socket DC voltage supply |

7 Operation

7.1 Before initial use



NOTE

Before starting your new cooler for the first time, you should clean it inside and outside with a damp cloth for hygienic reasons (please also refer to the chapter "Cleaning and maintenance" on page 24).

Reversing the lid opening direction

The lid hinges can be moved to the opposite side if you want to open the lids from the opposite direction. To do this, proceed as follows:

- Open the lids and remove them (fig. **5** A, page 4).
- Remove three screws per side hinge (fig. **5** B, page 4) and take off hinges.
- Remove plastic covers from new side hinge positions with a small screwdriver and re-fit to old hinge positions.
- Re-fit side hinges in new positions.
- Remove two plastic covers from the centre hinge (fig. **6** A, page 5).
- Remove four screws from the centre hinge (fig. **6** B, page 5) and take off the hinge.
- Remove the plastic cover from new centre hinge position with a small screwdriver and re-fit to old hinge position (fig. **6** C, page 5).
- Re-fit centre hinge in new position.
- Insert the lids in the hinges on the opposite side (fig. **6** D, page 5).

Selecting the temperature units

Temperature display units can be switched between Celsius and Fahrenheit as follows:

- Switch on the cooler.
- Press the "SET" button (fig. **3** 4, page 3) three times.
- Use the "UP +" (fig. **3** 10, page 3) or "DOWN -" (fig. **3** 9, page 3) buttons to select Celsius or Fahrenheit.
- ✓ The selected temperature units then appear in both displays for a few seconds. The displays flash several times before returning to the current temperature.

7.2 Energy saving tips

- Choose a well ventilated installation location which is protected against direct sunlight.
- Allow warm food to cool down first before placing it in the cooling device to keep cool.
- Do not open the cooling device more often than necessary.
- Do not leave the cooling device open for longer than necessary.
- Defrost the cooler once a layer of ice forms.
- Avoid unnecessarily low temperatures.

7.3 Connecting the cooler

Connecting to a battery (vehicle or boat)

The cooler can be operated with DC voltage.



NOTICE! Danger of damage!

Disconnect the cooler and other consumer units from the battery before you connect the battery to a quick charging device. Overvoltage can damage the electronics of the device.

For safety reasons the cooler is equipped with an electronic system to prevent polarity reversal. This protects the cooler against short-circuiting when connecting to a battery.

- Plug the DC connection cable (fig. **1** 2, page 3) into the device DC voltage socket and also into a DC socket.

Connecting to AC mains (e.g. in the home or office)



DANGER! Danger of electrocution!

- Never handle plugs and switches with wet hands or if you are standing on a wet surface.
- If you are operating your cooler on board a boat with an AC mains connection, you must install a residual current circuit breaker between the AC mains and the cooler.
Seek advice from a trained technician.

The coolers have an integrated multi-voltage power supply with priority circuit for connecting to an AC voltage source. The priority circuit automatically switches the cooler to mains operation, if the device is connected to an AC mains, even if the DC connection cable is still attached.

- ▶ Plug the AC connection cable (fig. **1** 3, page 3) into the device AC voltage socket and connect it to the AC voltage mains.

7.4 Using the battery monitor

The device is equipped with a multi-level battery monitor that protects your vehicle battery against excessive discharging when the device is connected to the on-board DC supply.

If the cooler is operated when the vehicle ignition is switched off, the cooler switches off automatically as soon as the supply voltage falls below a set level. The cooler will switch back on once the battery has been recharged to the restart voltage level.



NOTICE! Danger of damage!

When switched off by the battery monitor, the battery will no longer be fully charged. Avoid starting repeatedly or operating current consumers without longer charging phases. Ensure that the battery is recharged.

In "HIGH" mode, the battery monitor responds faster than at the levels "LOW" and "MED" (see the following table).

| Battery monitor mode | LOW | MED | HIGH |
|----------------------------|--------|--------|--------|
| Switch-off voltage at 12 V | 10.1 V | 11.4 V | 11.8 V |
| Restart voltage at 12 V | 11.1 V | 12.2 V | 12.6 V |
| Switch-off voltage at 24 V | 21.5 V | 24.1 V | 24.6 V |
| Restart voltage at 24 V | 23.0 V | 25.3 V | 26.2 V |

The battery monitor mode can be selected as follows:

- Switch on the cooler.
- Press the "SET" button (fig. **3** 4, page 3) four times.
- Use the "UP +" (fig. **3** 10, page 3) or "DOWN –" (fig. **3** 9, page 3) buttons to select the battery monitor mode.
- ✓ Digital display will be as follows:
Lo (LOW), Пd (MED), HI (HIGH)
- ✓ The selected mode then appears in the display for a few seconds. The display flashes several times before it returns to the current temperature.



NOTE

When the cooler is supplied by the starter battery, select the battery monitor mode "HIGH". If the cooler is connected to a supply battery, the battery monitor mode "LOW" will suffice.

7.5 Using the cooler



NOTICE! Danger of overheating!

Ensure at all times that there is sufficient ventilation so that the heat that generated during operation can dissipate. Ensure that the ventilation slots are not covered. Make sure that the device is sufficiently far away from walls and other objects so that the air can circulate.

- Place the cooler on a firm foundation.
Make sure that the ventilation slots are not covered and that the heated air can dissipate.



NOTE

Place the cooler as shown (fig. **1**, page 3). If you operate the box in a different orientation it can be damaged.

- Connect the cooler, see chapter "Connecting the cooler" on page 15.



NOTICE! Danger from excessively low temperature!

Ensure that the only those objects are placed in the cooler that are intended to be cooled at the selected temperature.

- Press the "ON/OFF" button (fig. **3** 1, page 3) for between one and two seconds.
- ✓ The LED "⏻" lights up (fig. **3** 2, page 3).
- ✓ The displays (fig. **3** 6 and 7, page 3) switch on and show the current temperatures.
- ✓ Depending on the compartment set temperatures, the cooler starts cooling either one or both compartments.
- ✓ The LEDs (fig. **3** 5 and 8, page 3) light up when the respective compartment is cooling.

**NOTE**

When operating with the battery, the display switches off automatically if the battery voltage is low. The LED "⏻" flashes orange.

Latching the cooler lid

- Close the lids.
- Press the latches (fig. **2** 1, page 3) down, until they latch in place audibly.

**NOTE – Lid Open Alarm**

If a lid is left open for three minutes or more and the device is switched on, the respective interior light will flash until the lid is closed.

7.6 Setting the temperature

- ▶ Press the "SET" button (fig. **3** 4, page 3):
 - once for the large compartment
 - twice for the small compartment
- ✓ The display of the respective compartment blinks.
- ▶ Use the "UP +" (fig. **3** 10, page 3) and "DOWN –" (fig. **3** 9, page 3) buttons to select the cooling temperature.
You can adjust the cooling temperature so that each compartment works as a refrigerator compartment or as a freezer compartment.
- ✓ The cooling temperature appears in the display for a few seconds. The display flashes several times and then the current temperature is displayed again.



NOTE

The temperature of each compartment can be set to $-22\text{ }^{\circ}\text{C}$. The manufacturer however recommends a cooling temperature of $-15\text{ }^{\circ}\text{C}$ to $-18\text{ }^{\circ}\text{C}$ for normal usage and optimum energy consumption.

7.7 Switching a compartment off or on

If only one compartment is required, the other compartment can be switched off to save energy.

Switching off compartment

If the display of the compartment shows a temperature, you can switch off the compartment as follows:

- ▶ Press the "SET" button (fig. **3** 4, page 3):
 - once for the large compartment
 - twice for the small compartment
- ✓ The display of the respective compartment blinks.
- ▶ Press the "ON/OFF" button (fig. **3** 1, page 3).
- ✓ "OFF" flashes for five seconds on the display of the respective cooling compartment, then "OFF" is displayed.

Switching on compartment

If the display of the compartment shows "OFF", you can switch on the compartment as follows:

- ▶ Press the "SET" button (fig. **3** 4, page 3):
 - once for the large compartment
 - twice for the small compartment
- ✓ The display of the respective compartment blinks.
- ▶ Press the "ON/OFF" button (fig. **3** 1, page 3).
- ✓ The cooling temperature appears in the display for a few seconds. The display flashes several times and then the current temperature is displayed.

7.8 Enabling Wi-Fi signal for optional app

The cooler can be controlled via Wi-Fi using an app that you can install on a compatible device. The app has control, display and alarm functions.

You find further information on the Dometic website for your country (see back page). Note that the app may not be available in your country.

The Wi-Fi name of the compressor cooler begins with "CFX". The preset password is "00000000". You can change the Wi-Fi name and password individually.

Switching the Wi-Fi signal on or off

- ▶ Press the "SET" button (fig. **3** 4, page 3) six times.
- ▶ Use the "UP +" (fig. **3** 10, page 3) and "DOWN -" (fig. **3** 9, page 3) buttons to switch the Wi-Fi signal on or off.
- ✓ The desired setting appears in the display for a few seconds. The display flashes several times and then the current temperature is displayed again.



NOTE

- The default setting for the Wi-Fi transmitter is off. For first time use and whenever power to the device is interrupted, switch on the Wi-Fi transmitter to use the app.
- The Wi-Fi transmitter uses a small amount of power. For optimal energy performance switch the Wi-Fi transmitter off if it is not being used.

Resetting the Wi-Fi to factory settings

In case you have personalized the Wi-Fi settings of your cooling device using the Wi-Fi app and forgotten your password, you can reset to the factory settings as follows:

- ▶ Press the "SET" button (fig. **3** 4, page 3) six times.
- ▶ Hold the "UP +" (fig. **3** 10, page 3) button for at least five seconds.
- ✓ In both displays "rES" will blink several times before returning to the previous display.
- ✓ The Wi-Fi settings have been reset to factory settings.

For additional information visit the Dometic website from which you downloaded the app.

7.9 Set brightness of displays

The display brightness can be dimmed for low ambient light conditions. To set the dimming level of the display proceed as follows:

- ▶ Switch on the cooler.
- ▶ Press the "SET" button (fig. **3** 4, page 3) five times.
- ▶ Use the "UP +" (fig. **3** 7, page 3) or "DOWN -" (fig. **3** 6, page 3) buttons to set the brightness of the displays.
- ✓ Display will be as follows:
d0 (default), d1 (medium), d2 (dark)
- ✓ The displays show the set mode for some seconds. The displays flash several times before they returns to the current brightness.



NOTE

- The factory setting of brightness of the display is d0 (default).
- If a fault occurs, the brightness automatically is d0 (default). After troubleshooting the set brightness is reactivated.

7.10 Using the emergency switch

The emergency switch (fig. 4 3, page 4) is located below the control panel. For normal operation the switch is in the "NORMAL USE" position.

- ▶ If an electronic control failure occurs, slide the switch to "EMERGENCY OVERRIDE" position.



NOTE

If the switch is in the "EMERGENCY OVERRIDE" position, the cooler circuit runs with full cooling capacity and, depending on the running conditions of each compartment at the time of switching, may either freeze one or both compartments, and/or stop cooling one of the compartments.

7.11 USB port for power supply

The USB port allows you to charge small devices like mobile phones and mp3-players.

To use your cooling box with any USB devices, simply connect a USB cable (not included) to your device.



NOTE

Ensure that any small device connected to the USB port is compatible with 5 V/500 mA operation.

7.12 Switching off the cooler

- ▶ Empty the cooler.
- ▶ Switch the cooler off.
- ▶ Pull out the connection cable.

If you do not want to use the cooler for a longer period of time:

- ▶ Leave the lids slightly open. This prevents odour build-up.

7.13 Defrosting the cooler

Humidity can form frost in the interior of the cooling device or on the evaporators. This reduces the cooling capacity. Defrost the device in good time to avoid this.



NOTICE! Danger of damage!

Never use hard or pointed tools to remove ice or to loosen objects which have frozen in place.

To defrost the cooler, proceed as follows:

- Take out the contents of the cooling device.
- If necessary, place them in another cooling device to keep them cool.
- Switch off the device.
- Leave the lids open.
- Wipe off the defrosted water.

7.14 Replacing the device fuse



DANGER! Danger of electrocution!

Disconnect the power supply and the connection cable before you replace the device fuse.

- Disconnect the power supply to the device.
- Pull off the connection cable.
- Pry out the fuse insert (fig. **4** 2, page 4) with a screwdriver.
- Replace the defective glass fuse with a new one that has the same rating (4 A, 250 V).
- Press the fuse insert back into the housing.
- Reconnect the power supply to the device.

7.15 Replacing the plug fuse (DC)

- Unscrew the contact pin housing (fig. **7** 3, page 5) from the plug (fig. **7** 1, page 5).
- Replace the defective fuse (fig. **7** 2, page 5) with a new fuse that has the same rating (3AG, 15 A).
- Re-assemble the plug in reverse order.

7.16 Replacing the light PCB

- Disconnect the power supply to the device.
- Pry out the transparent cover with a screwdriver (fig. **8** A, page 5).
- Unscrew the PCB mounting screws (fig. **8** B, page 5).
- Pull out the plug from the PCB (fig. **8** C, page 5).
- Replace the defective light PCB with a new one.
- Fit new PCB using reverse of removal instructions.
- Press the transparent cover back into the housing.
- Reconnect the power supply to the device.

8 Cleaning and maintenance



WARNING!

Always disconnect the device from the power supply before you clean and service it.



NOTICE! Risk of damage

- Never clean the cooler under running water or in dish water.
- Do not use abrasive cleaning agents or hard objects during cleaning as these can damage the cooler.

- Occasionally clean the device interior and exterior with a damp cloth.
- Make sure that the air inlet and outlet vents on the device are free of any dust and dirt, so that heat can be released and the device is not damaged.

9 Troubleshooting

| Fault | Possible cause | Suggested remedy |
|--|--|---|
| Device does not function, LED does not glow. | There is no voltage present in the DC socket in your vehicle. | The ignition must be switched on in most vehicles to apply current to the DC socket. |
| | No voltage present in the AC voltage socket. | Try using another plug socket. |
| | The device fuse is defective. | Replace the device fuse, see chapter "Replacing the device fuse" on page 23. |
| The device does not cool (plug is inserted, "POWER" LED is lit). | The integrated mains adapter is defective. | This can only be repaired by an authorised repair centre. |
| | Defective compressor. | This can only be repaired by an authorised repair centre. |
| The device does not cool (plug is inserted, "POWER" LED flashes orange, display is switched off). | Battery voltage is too low. | Charge the battery as needed. |
| | Battery monitor is set too high. | Select a lower battery monitor setting. |
| When operating from the DC socket: The ignition is on and the device is not working and the LED is not lit. Pull the plug out of the socket and make the following checks. | The DC socket is dirty. This results in a poor electrical contact. | If the plug of your cooler becomes very warm in the DC socket, either the DC socket must be cleaned or the plug has not been assembled correctly. |
| | The fuse of the DC plug has blown. | Replace the fuse (15 A) in the DC plug, see chapter "Replacing the plug fuse (DC)" on page 24. |
| | The vehicle fuse has blown. | Replace the vehicle's DC socket fuse (usually 15 A). Please refer to your vehicle's operating manual. |
| The display shows an error message (e.g. "Err1") and the device does not cool. | The device has switched off due to an internal fault. | This can only be repaired by an authorised repair centre. |
| The interior light of a compartment flashes. | The lid of the compartment has been left open for more than three minutes. | Close the lid of the compartment. |

10 Guarantee

The statutory warranty period applies. If the product is defective, please contact the manufacturer's branch in your country (see the back of the instruction manual for the addresses) or your retailer.

For repair and guarantee processing, please include the following documents when you send in the device:

- A copy of the receipt with purchasing date
- A reason for the claim or description of the fault

11 Disposal

- Place the packaging material in the appropriate recycling waste bins wherever possible.



If you wish to finally dispose of the product, ask your local recycling centre or specialist dealer for details about how to do this in accordance with the applicable disposal regulations.

12 Technical data

| | CFX75DZW | CFX95DZW |
|--------------------------|---|--|
| Ref. no.: | 9600001411 | 9105306639 |
| Connection voltage: | 12/24 V $\overline{=}$ and 120 V \sim | |
| Rated current: | 12 V $\overline{=}$: 7.9 A 24 V $\overline{=}$: 3.6 A 120 V \sim : 0.74 A | 12 V $\overline{=}$: 7.5 A 24 V $\overline{=}$: 3.6 A 120 V \sim : 0.9 A |
| Cooling capacity: | +10 °C to -22 °C (+50 °F to -8 °F) | |
| Category: | 1 | |
| Energy efficiency class: | A+ | |
| Energy consumption: | 105 kWh/annum | 109 kWh/annum |
| Gross volume: | | |
| Large compartment: | 45 l | 54 l |
| Small compartment: | 30 l | 40.5 l |

| | CFX75DZW | CFX95DZW |
|---|--|--|
| Storage volume: Large compartment: Small compartment: | 43 l 27 l | 50.5 l 34.5 l |
| Climate class: | N, T | |
| Ambient temperature: | +16 °C to +43 °C (+61 °F to +109 °F) | |
| Noise emission: | 37 dB(A) | |
| USB: | 5 V $\overline{=}$, 500 mA | |
| Refrigerant: | R134a | |
| Refrigerant quantity: | 57 g/2.0 oz | 65 g/2.3 oz |
| CO ₂ equivalent: | 0.082 t/180.78 lbs | 0.093 t/205.03 lbs |
| Global warming potential (GWP): | 1430 | |
| Dimensions (W x H x D) in mm: Including handles: Without handles: | 887 x 472 x 495 (34.9" x 18.6" x 19.5") 832 x 472 x 495 (32.8" x 18.6" x 19.5") | 957 x 472 x 530 (37.7" x 18.6" x 20.9") 900 x 472 x 530 (35.4" x 18.6" x 20.9") |
| Weight: | 31 kg/68.3 lbs | 32 kg/70.6 lbs |

**NOTE**

If the ambient temperature is above +32 °C (+90 °F), the minimum temperature cannot be attained.

Contains fluorinated greenhouse gases

Hermetically sealed equipment

Test/certificates:

This device complies with Part 15 of the FCC Rules. Operation is subject to the following two conditions:

- (1) this device may not cause harmful interference, and
- (2) this device must accept any interference received, including interference that may cause undesired operation.

Changes or modifications not expressly approved by the part responsible for compliance could void the user's authority to operate the equipment.

This equipment has been tested and found to comply with the limits for a Class B digital device, pursuant to part 15 of the FCC Rules. These limits are designed to provide reasonable protection against harmful interference in a residential installation. This equipment generates, uses and can radiate radio frequency energy and, if not installed and used in accordance with the instructions, may cause harmful interference to radio communications. However, there is no guarantee that interference will not occur in a particular installation. If this equipment does cause harmful interference to radio or television reception, which can be determined by turning the equipment off and on, the user is encouraged to try to correct the interference by one or more of the following measures:

- Reorient or relocate the receiving antenna.
- Increase the separation between the equipment and receiver.
- Connect the equipment into an outlet on a circuit different from that to which the receiver is connected.
- Consult the dealer or an experienced radio/TV technician for help.

Veillez lire ce manuel avec attention avant de mettre l'appareil en service. Conservez ensuite ce manuel. En cas de passer de l'appareil, veuillez le transmettre au nouvel acquéreur.

Le fabricant décline toute responsabilité en cas de dommages provoqués par une **utilisation non-conforme de l'appareil** ou **par des erreurs de manipulation**.

Sommaire

| | | |
|----------|---|----|
| 1 | Explication des symboles | 30 |
| 2 | Consignes de sécurité | 31 |
| 2.1 | Sécurité générale | 31 |
| 2.2 | Consignes de sécurité concernant le fonctionnement de l'appareil | 32 |
| 3 | Contenu de la livraison | 33 |
| 4 | Accessoires | 33 |
| 5 | Usage conforme | 34 |
| 6 | Description du fonctionnement | 35 |
| 6.1 | Fonctions | 35 |
| 6.2 | Éléments de commande et d'affichage | 36 |
| 7 | Utilisation | 38 |
| 7.1 | Avant la première utilisation | 38 |
| 7.2 | Conseils pour économiser de l'énergie | 39 |
| 7.3 | Raccordement de la glacière | 40 |
| 7.4 | Utilisation du protecteur de batterie | 41 |
| 7.5 | Utilisation de la glacière | 42 |
| 7.6 | Réglage de la température | 43 |
| 7.7 | Marche ou arrêt du compartiment de réfrigération | 44 |
| 7.8 | Activation du signal WLAN pour l'application disponible en option | 45 |
| 7.9 | Réglage de la luminosité de l'écran | 46 |
| 7.10 | Utilisation de l'interrupteur d'urgence | 46 |
| 7.11 | Port USB pour l'alimentation électrique | 47 |
| 7.12 | Arrêt de la glacière | 47 |
| 7.13 | Dégivrage de la glacière | 47 |
| 7.14 | Remplacement du fusible de l'appareil | 48 |
| 7.15 | Remplacement du fusible du connecteur (courant continu) | 48 |
| 7.16 | Remplacement du platine de commande lumineuse | 48 |
| 8 | Entretien et nettoyage | 49 |

| | | |
|-----------|--|----|
| 9 | Dépannage | 49 |
| 10 | Garantie | 51 |
| 11 | Mise au rebut | 51 |
| 12 | Caractéristiques techniques | 51 |

1 Explication des symboles



DANGER !

Consigne de sécurité : le non-respect de ces consignes entraîne la mort ou de graves blessures.



AVERTISSEMENT !

Consigne de sécurité : le non-respect de ces consignes peut entraîner la mort ou de graves blessures.



ATTENTION !

Consigne de sécurité : le non-respect de ces consignes peut entraîner des blessures.



AVIS !

Le non-respect de ces consignes peut entraîner des dommages matériels et des dysfonctionnements du produit.



REMARQUE

Informations complémentaires sur l'utilisation du produit.

2 Consignes de sécurité

2.1 Sécurité générale



AVERTISSEMENT !

- Si l'appareil présente des dégâts visibles, vous ne devez pas le mettre en service.
- Si le câble de raccordement de l'appareil est endommagé, il doit être remplacé par le fabricant, son service après-vente ou une personne de qualification similaire, afin d'éviter tout danger.
- Seul un personnel qualifié est habilité à effectuer des réparations sur l'appareil. Toute réparation mal effectuée risque d'entraîner de graves dangers.
- Les enfants âgés de 8 ans et plus ainsi que les personnes ayant des déficiences physiques, sensorielles ou mentales ou un manque d'expérience ou de connaissances peuvent utiliser ce produit à condition d'être sous surveillance ou d'avoir reçu des instructions concernant l'utilisation de l'appareil en toute sécurité et de comprendre les dangers qui en résultent.
- Le nettoyage et la maintenance ne doivent pas être effectués par des enfants sans surveillance.
- Les enfants ne doivent pas jouer avec cet appareil.
- Les enfants doivent être surveillés pour s'assurer qu'ils ne jouent pas avec l'appareil.
- Placez et utilisez l'appareil hors de portée des enfants de moins de 8 ans.
- Ne stockez aucune substance explosive comme p. ex. des aérosols contenant des agents propulseurs dans l'appareil.



ATTENTION !

- Débranchez l'appareil du secteur
 - avant tout nettoyage et entretien
 - après chaque utilisation
- Les aliments ne peuvent être conservés que dans leurs emballages originaux ou dans des récipients appropriés.



AVIS !

- Comparez la tension indiquée sur la plaque signalétique avec l'alimentation électrique dont vous disposez.

- Branchez l'appareil uniquement comme indiqué ci-dessous :
 - avec le câble de raccordement CC sur une prise CC du véhicule (par ex. un allume-cigare)
 - ou avec le câble de raccordement CA au secteur à courant alternatif
- Ne tirez jamais sur le câble de raccordement pour sortir la fiche de la prise.
- Si la glacière est raccordée à la prise CC : débranchez de la batterie la glacière et les autres consommateurs d'énergie avant de raccorder un chargeur rapide.
- Si la glacière est raccordée à la prise CC : débranchez ou éteignez la glacière lorsque vous éteignez le moteur. Dans le cas contraire, il se pourrait que la batterie se décharge.
- N'utilisez pas la glacière pour le transport de produits corrosifs ou de solvants.
- Cette glacière contient du cyclopentane inflammable dans son isolation. Les gaz contenus dans le matériau d'isolation exigent une procédure de retraitement particulière. Une fois que vous ne l'utilisez plus, recyclez l'appareil de manière conforme.

2.2 Consignes de sécurité concernant le fonctionnement de l'appareil



ATTENTION !

- Avant de mettre l'appareil en service, assurez-vous que la ligne d'alimentation électrique et la fiche sont sèches.
- N'employez pas de câble de rallonge.



AVIS !

- N'utilisez aucun appareil électrique dans la glacière, sauf si ces appareils sont recommandés par le fabricant pour cet usage.
- Ne placez pas l'appareil près de flammes ou d'autres sources de chaleur (chauffage, rayons solaires, réchauds à gaz, etc.).
- **Danger de surchauffe !**
Veillez toujours à ce que la chaleur produite lors du fonctionnement soit suffisamment dissipée. Veillez à ce que l'appareil se trouve à une distance suffisante des murs ou des objets, de sorte que l'air puisse circuler.
- Assurez-vous que les fentes d'aération ne sont pas recouvertes.

- Ne pas remplir le bac intérieur de substances liquides ou de glace.
- Ne plongez jamais l'appareil dans l'eau.
- Tenez l'appareil et les câbles à l'abri de la chaleur et de l'humidité.

3 Contenu de la livraison

La fig. **1**, page 3 indique les pièces comprises dans la livraison.

| Réf. | Quantité | Désignation |
|------|----------|---|
| 1 | 1 | Glacière à compression |
| 2 | 1 | Câble de raccordement au courant continu |
| 3 | 1 | Câble de raccordement en courant alternatif |
| - | 1 | Notice d'utilisation |

4 Accessoires

Disponibles en accessoires (non compris dans la livraison) :

| Désignation | N° de produit |
|--|---------------|
| Kit de fixation universel (système de sangles) CFX-UFK | 9108300002 |

Vous trouverez sur le site Web Dometic (voir au dos) les informations sur une application WLAN dotée de fonctions de contrôle, d'affichage et d'alarme. Il se peut que l'application ne soit pas disponible dans votre pays.

5 Usage conforme

La glacière est conçue pour la réfrigération et la congélation d'aliments. La glacière peut également être utilisée sur des bateaux.

La glacière est conçue pour fonctionner sur une prise à courant continu d'une voiture (allume-cigare), d'un bateau ou d'un camping-car ainsi qu'à un secteur à courant alternatif.

La glacière est conçue pour un usage à domicile et tous les domaines d'applications semblables, comme par exemple

- dans les cuisines destinées au personnel de boutiques, bureaux et autres lieux de travail
- dans l'agriculture
- pour les clients d'hôtels, de motels ou autres types d'hébergement
- dans les « bed and breakfast »
- dans le catering et les utilisations semblables du commerce en gros





ATTENTION ! Risque pour la santé !

Veillez vérifier si la puissance frigorifique de la glacière correspond à la température de conservation recommandée pour les aliments ou les médicaments que vous souhaitez conserver au frais.

6 Description du fonctionnement

La glacière permet de réfrigérer, de tenir au frais ou de congeler des produits. La réfrigération est assurée par un circuit de refroidissement à compresseur qui ne nécessite aucune maintenance. Sa puissante isolation et son compresseur performant garantissent un refroidissement particulièrement rapide.

La glacière comporte deux compartiments distincts réglables indépendamment l'un de l'autre. La glacière peut être utilisée dans toutes les combinaisons :

| Grand compartiment  | Petit compartiment  |
|---|---|
| Compartiment réfrigérateur | Compartiment congélateur |
| Compartiment congélateur | Compartiment réfrigérateur |
| Compartiment réfrigérateur | Compartiment réfrigérateur |
| Compartiment congélateur | Compartiment congélateur |

(pour plus de détails, voir chapitre « Réglage de la température », page 43)

La glacière convient pour une utilisation mobile.

En cas d'utilisation sur bateaux, la glacière peut supporter un angle de gîte de 30°.



REMARQUE

La surface du boîtier sous le joint du couvercle peut être chaude. Cela est normal, car la résistance intégrée empêche la formation de condensat.

6.1 Fonctions



- Bloc d'alimentation avec circuit prioritaire pour branchement sur une courant alternatif
- Protecteur de batterie à trois niveaux pour protéger la batterie du véhicule
- Écran avec affichage de la température en °C et °F
S'éteint automatiquement lorsque la tension de la batterie est faible
- Réglages, contrôles et voyants indépendants pour chaque compartiment
- Réglage de la température : Avec deux boutons par pas de 1 °C (et de 2 °F)
- Émetteur WLAN intégré, permettant une utilisation depuis une application
- Alarme couvercle ouvert
- Port USB pour l'alimentation électrique


- Interrupteur d'urgence
- Poignées de transport rabattables
- Trois paniers extractibles

6.2 Éléments de commande et d'affichage

Verrouillage des couvercles : fig. 2 1, page 3

Panneau de commande (fig. 3, page 3)

| Réf. | Désignation | Explication |
|------|--|---|
| 1 | ON OFF | Permet de mettre en marche ou d'arrêter la glacière en appuyant une à deux secondes sur la touche |
| 2 | POWER «  » | Témoin lumineux de fonctionnement La DEL s'allume en vert : Le compresseur est en marche La DEL s'allume en orange : Le compresseur est arrêté La DEL clignote en orange : L'écran a été automatiquement éteint parce que la tension de la batterie est faible |
| 3 | ERROR | La DEL clignote en rouge : La glacière est allumée mais n'est pas prête à fonctionner |
| 4 | SET | Sélection du mode de saisie – Réglage de la température (grand/petit compartiment réfrigérateur) – Indication en degrés °Celsius ou °Fahrenheit – Réglage du protecteur de batterie – Réglage de la luminosité de l'écran – Active ou désactive le WLAN |
| 5 | Refroidissement grand  | Affichage du statut du grand compartiment de réfrigération La DEL s'allume en bleu : Le compartiment de réfrigération refroidit Le voyant DEL n'est pas éclairé : Le compartiment de réfrigération ne refroidit pas |

| Réf. | Désignation | Explication |
|------|--|---|
| 6 | Affichage grand | – Indique les informations sur le grand compartiment de réfrigération – Affiche « OFF » lorsque le compartiment de réfrigération est désactivé |
| 7 | Affichage petit | – Indique les informations sur le petit compartiment de réfrigération – Affiche « OFF » lorsque le compartiment de réfrigération est désactivé |
| 8 | Refroidissement petit  | Affichage du statut du petit compartiment de réfrigération La DEL s'allume en bleu : Le compartiment de réfrigération refroidit Le voyant DEL n'est pas éclairé : Le compartiment de réfrigération ne refroidit pas |
| 9 | DOWN – | Une pression sur cette touche diminue la valeur de saisie sélectionnée |
| 10 | UP + | Une pression sur cette touche augmente la valeur de saisie sélectionnée |

Douille de raccordement, interrupteur d'urgence (le cas échéant) et port USB (fig. 4, page 4) :

| Réf. | Désignation |
|------|---|
| 1 | Douille de courant alternatif |
| 2 | Porte-fusible |
| 3 | Interrupteur d'urgence |
| 4 | Port USB pour l'alimentation électrique |
| 5 | Douille de courant continu |

7 Utilisation

7.1 Avant la première utilisation



REMARQUE

Avant la mise en service de l'appareil neuf, nous vous conseillons, pour des raisons d'hygiène, d'en nettoyer l'intérieur et l'extérieur à l'aide d'un tissu humide (voir aussi chapitre « Entretien et nettoyage », page 49).

Retournement de la butée des couvercles

Vous pouvez retourner la butée des couvercles si vous voulez ouvrir ceux-ci par l'autre côté. Procédez comme suit :

- Ouvrez les couvercles et déposez-les (fig. **5** A, page 4).
- Retirez trois vis sur chaque charnière latérale (fig. **5** B, page 4), et déposez la charnière.
- Retirez les caches plastique des nouvelles positions de la charnière latérale à l'aide d'un petit tournevis et remettez-les aux anciens emplacements de la charnière.
- Mettez en place les charnières latérales sur les nouvelles positions.
- Retirez deux caches plastique de la position centrale de la charnière (fig. **6** A, page 5).
- Retirez les quatre vis de la charnière du milieu (fig. **6** B, page 5), et déposez la charnière.
- Retirez le cache plastique de la nouvelle position de la charnière à l'aide d'un petit tournevis et remettez-la à l'ancien emplacement de la charnière (fig. **6** C, page 5).
- Montez la charnière du milieu sur la nouvelle position.
- Mettez en place les couvercles dans les charnières sur le côté opposé (fig. **6** D, page 5).

Sélectionner l'unité de température

Pour l'affichage de la température, vous pouvez choisir entre les valeurs en °Celsius ou en °Fahrenheit. Procédez comme suit :

- Mettez la glacière en marche.
- Appuyez trois fois sur la touche « SET » (fig. **3** 4, page 3).
- Sélectionnez l'unité de température (°Celsius ou °Fahrenheit) à l'aide des touches « UP + » (fig. **3** 10, page 3) ou « DOWN - » (fig. **3** 9, page 3).
- ✓ Les deux écrans affichent l'unité de température sélectionnée pendant quelques secondes. Les écrans clignotent plusieurs fois avant de revenir à l'affichage de la température actuelle.

7.2 Conseils pour économiser de l'énergie

- Choisissez un emplacement bien aéré et à l'abri du soleil.
- Laissez refroidir les aliments chauds avant de les déposer dans la glacière.
- Ne pas ouvrir la glacière plus souvent que nécessaire.
- Ne laissez pas la glacière ouverte plus longtemps que nécessaire.
- Dégivrez la glacière dès qu'une couche de glace s'est formée.
- Évitez une température intérieure inutilement basse.

7.3 Raccordement de la glacière

Raccordement à une batterie de véhicule (véhicule ou bateau)

La glacière peut être alimentée en courant continu.



AVIS ! Risque d'endommagement !

Débranchez la glacière et les autres consommateurs d'énergie de la batterie du véhicule avant de recharger cette dernière avec un chargeur rapide.

Les surtensions peuvent endommager l'électronique des appareils.

Pour des raisons de sécurité, la glacière est équipée d'une protection électronique contre les inversions de polarité en courant continu et contre les court-circuits.

- Branchez le câble de raccordement en courant continu (fig. **1** 2 page 3) sur la douille à tension continue de la glacière et raccordez cette dernière sur le courant continu.

Raccordement sur secteur alternatif (p.ex. à domicile ou au bureau)



DANGER ! Danger de mort par électrocution !

- Ne vous approchez pas de prises ou de commutateurs lorsque vous avez les mains mouillées ou les pieds dans l'eau.
- Si vous raccordez votre glacière à bord d'un bateau à la tension alternative par l'intermédiaire d'une prise de quai, vous devez dans tous les cas brancher un disjoncteur différentiel entre le secteur de tension alternative et la glacière.
Veuillez vous renseigner auprès d'un spécialiste.

Les glacières sont dotées d'un bloc d'alimentation multitenション avec un circuit prioritaire pour le raccordement en courant alternatif. Le circuit prioritaire permet de passer directement en fonctionnement sur le secteur quand l'appareil est raccordé à un réseau de courant alternatif, même si le câble de raccordement au courant continu est encore branché.

- Branchez le câble de raccordement en courant alternatif (fig. **1** 3 page 3) sur la douille à tension alternative de l'appareil et raccordez cette dernière sur le courant continu.

7.4 Utilisation du protecteur de batterie

La glacière est équipée d'un protecteur de batterie multiniveaux qui protège la batterie de votre véhicule, afin d'éviter une décharge profonde lorsqu'elle est raccordée au réseau en courant continu.

Si la glacière est mise en marche alors que l'allumage du véhicule est éteint, elle s'arrête automatiquement dès que la tension d'alimentation descend en dessous d'une valeur réglable. La glacière se remet en marche dès que la batterie est rechargée et que la tension de rallumage est atteinte.



AVIS ! Risque d'endommagement !

Lorsque la batterie est éteinte par le contrôleur de batterie, elle n'a plus sa pleine capacité de charge. Évitez les démarrages répétés ou d'utiliser des consommateurs de courant sans phases de recharge prolongées. Veillez à recharger la batterie.

En mode « HIGH », le protecteur de batterie se met en marche plus rapidement qu'en mode « LOW » ou « MED » (voir tableau suivant).

| Mode protecteur de batterie | LOW | MED | HIGH |
|------------------------------------|--------|--------|--------|
| Tension d'arrêt à 12 V | 10,1 V | 11,4 V | 11,8 V |
| Tension de remise en marche à 12 V | 11,1 V | 12,2 V | 12,6 V |
| Tension d'arrêt à 24 V | 21,5 V | 24,1 V | 24,6 V |
| Tension de remise en marche à 24 V | 23,0 V | 25,3 V | 26,2 V |

Pour modifier le mode du protecteur de batterie, procédez comme suit :

- Mettez la glacière en marche.
- Appuyez quatre fois sur la touche « SET » (fig. **3** 4, page 3).
- Réglez le mode du protecteur de batterie à l'aide des touches « UP + » (fig. **3** 10, page 3) ou « DOWN – » (fig. **3** 9, page 3).
- ✓ L'écran numérique indique :
Lo (LOW), Md (MED), HI (HIGH)
- ✓ L'écran affiche le mode sélectionné pendant quelques secondes. L'écran clignote plusieurs fois avant de revenir à l'affichage de la température actuelle.

**REMARQUE**

Lorsque la glacière est alimentée par la batterie de démarrage, réglez le protecteur de batterie sur le mode « HIGH ». Lorsque la glacière est raccordée à une batterie d'alimentation, le mode « LOW » suffit.

7.5 Utilisation de la glacière

**AVIS ! Risque de surchauffe**

Veillez toujours à ce que la chaleur produite lors du fonctionnement puisse se dissiper suffisamment. Assurez-vous que les ouvertures d'aération ne sont pas recouvertes. Veillez à ce que la glacière se trouve à distance suffisante des murs ou des objets, de sorte que l'air puisse circuler.

- Placez la glacière sur une surface stable. Veillez à ce que les fentes d'aération ne soient pas recouvertes, afin que l'air chaud puisse bien s'évacuer.


**REMARQUE**

Montez la glacière comme indiqué sur l'illustration (fig. **1**, page 3). Si la glacière est utilisée dans une autre position, elle risque d'être endommagée.


- Nettoyez la glacière (voir chapitre « Raccordement de la glacière », page 40).

**AVIS ! Risque de températures trop basses !**

Veillez à ne déposer dans la glacière que des objets ou des aliments qui peuvent être réfrigérés à la température sélectionnée.

- Appuyez pendant une à deux secondes sur la touche « ON/OFF » (fig. **3** 1, page 3).
- ✓ La LED «  » s'allume (fig. **3** 2, page 3).
- ✓ Les écrans (fig. **3** 6 et 7 page 3) s'allument et indiquent la température de refroidissement actuelle.
- ✓ La glacière commence à refroidir un ou deux compartiments de réfrigération en fonction de la température réglée du compartiment de réfrigération.
- ✓ Les LED (fig. **3** 5 et 8, page 3) s'allument lorsque le compartiment de réfrigération refroidit.

**REMARQUE**

En cas de fonctionnement sur batterie, l'écran s'éteint automatiquement lorsque la tension de la batterie est faible. La LED «  » clignote en orange.

Verrouillage de la glacière

- Fermez les couvercles.
- Abaissez les verrouillages (fig. **2** 1, page 3) jusqu'à ce qu'ils s'enclenchent de manière audible.

**REMARQUE – Alarme « Couvercle ouvert »**

Lorsqu'un couvercle reste ouvert pendant plus de trois minutes et que l'appareil est en marche, l'ampoule correspondante s'allume jusqu'à ce que le couvercle soit refermé.

7.6 Réglage de la température

- Appuyez sur la touche « SET » (fig. **3** 4, page 3) :
 - une fois pour le grand compartiment de réfrigération
 - deux fois pour le petit compartiment de réfrigération
- ✓ Le voyant du compartiment de réfrigération correspondant clignote.
- Réglez la température de refroidissement à l'aide des touches « UP + » (fig. **3** 10, page 3) et « DOWN – » (fig. **3** 9, page 3).
Vous pouvez régler la température de manière à permettre à chaque compartiment comme un compartiment de réfrigération ou de congélation.
- ✓ L'écran affiche la température de refroidissement sélectionnée pendant quelques secondes. L'écran clignote plusieurs fois avant de revenir à l'affichage de la température actuelle.

**REMARQUE**

La température de chaque compartiment de réfrigération peut être réglée à -22 °C . Le fabricant recommande toutefois une température de -15 °C à -18 °C pour le mode normal et une consommation électrique optimale.

7.7 Marche ou arrêt du compartiment de réfrigération

Si vous n'avez besoin que d'un compartiment de réfrigération, l'autre peut être éteint pour économiser l'électricité.

Arrêt du compartiment de réfrigération

Lorsque l'écran du compartiment de réfrigération indique une température, vous pouvez éteindre le compartiment de réfrigération comme indiqué ci-après :

- Appuyez sur la touche « SET » (fig. **3** 4, page 3) :
 - une fois pour le grand compartiment de réfrigération
 - deux fois pour le petit compartiment de réfrigération
- ✓ Le voyant du compartiment de réfrigération correspondant clignote.
- Appuyez sur la touche « ON/OFF » (fig. **3** 1, page 3).
- ✓ L'écran du compartiment de réfrigération correspondant fait clignoter l'indication « OFF » pendant cinq secondes puis indique « OFF ».

Mise en marche du compartiment de réfrigération

Lorsque l'écran du compartiment de réfrigération indique « OFF », vous pouvez mettre en marche le compartiment de réfrigération comme indiqué ci-après :

- Appuyez sur la touche « SET » (fig. **3** 4, page 3) :
 - une fois pour le grand compartiment de réfrigération
 - deux fois pour le petit compartiment de réfrigération
- ✓ Le voyant du compartiment de réfrigération correspondant clignote.
- Appuyez sur la touche « ON/OFF » (fig. **3** 1, page 3).
- ✓ L'écran affiche la température de refroidissement sélectionnée pendant quelques secondes. L'écran clignote plusieurs fois avant de passer à l'affichage de la température actuelle.

7.8 Activation du signal WLAN pour l'application disponible en option

La glacière peut être pilotée à l'aide d'une application sur le réseau WLAN. L'application utilise de fonctions de contrôle, d'affichage et d'alarme.

Vous trouverez de plus amples informations sur le site Web Dometic de votre pays (voir au dos). Veuillez noter que l'application peut ne pas être disponible dans votre pays.

Le nom du réseau WLAN du compresseur-glacière commence par « CFX ». Le mot de passe réglé par défaut est « 00000000 ». Vous pouvez modifier individuellement le nom WLAN et le mot de passe.

Arrêt/marche du signal WLAN

- Appuyez six fois sur la touche « SET » (fig. **3** 4 page 3).
- Activez ou désactivez le signal WLAN à l'aide des touches « UP + » (fig. **3** 10, page 3) et « DOWN – » (fig. **3** 9, page 3).
- ✓ L'écran affiche le réglage sélectionné pendant quelques secondes. L'écran clignote plusieurs fois avant de revenir à l'affichage de la température actuelle.



REMARQUE

- Dans le réglage en usine, l'émetteur WLAN est éteint. Durant la première mise en service et après une interruption de courant, vous devez allumer l'émetteur WLAN pour pouvoir utiliser l'appli.
- L'émetteur WLAN consomme peu de courant. Pour optimiser les performances énergétiques, désactivez l'émetteur WLAN lorsqu'il n'est pas utilisé.

Réinitialisation du WLAN à la configuration usine

Si vous avez personnalisé les réglages WLAN de la glacière à l'aide de l'application WLAN et que vous avez oublié votre mot de passe, vous pouvez réinitialiser la glacière à la configuration usine en suivant la procédure ci-après :

- Appuyez six fois sur la touche « SET » (fig. **3** 4 page 3).
- Appuyez pendant au moins cinq secondes sur la touche « UP + » (fig. **3** 10, page 3).
- ✓ L'indication « rES » clignote plusieurs fois sur l'écran avant de revenir à l'affichage précédent.

- ✓ Les réglages WLAN ont été réinitialisés à la configuration usine.

Pour plus d'informations, rendez-vous sur le site Web Dometic sur lequel vous avez téléchargé l'application.

7.9 Réglage de la luminosité de l'écran

Dans l'obscurité, la luminosité de l'écran peut être atténuée. Pour régler la luminosité de l'écran, procédez comme suit :

- Allumez la glacière.
- Appuyez quatre fois sur la touche « SET » (fig. **3** 4, page 3).
- Réglez la luminosité de l'écran à l'aide des touches « UP + » (fig. **3** 7, page 3) ou « DOWN – » (fig. **3** 6, page 3).
- ✓ L'écran indique :
 - d0 (réglage prédéfini), d1 (luminosité moyenne), d2 (sombre)
- ✓ L'écran affiche le mode sélectionné pendant quelques secondes. L'écran clignote plusieurs fois avant de revenir à l'affichage de la luminosité actuelle.



REMARQUE

- Le réglage d'usine de la luminosité de l'écran est d0 (réglage prédéfini).
- En cas de dysfonctionnement, la luminosité revient automatiquement à d0 (réglage prédéfini). Après résolution de la panne, la luminosité réglée par l'utilisateur sera de nouveau activée.

7.10 Utilisation de l'interrupteur d'urgence

L'interrupteur d'urgence (fig. **4** 3, page 4) est situé sous le panneau de commande. Pour le fonctionnement normal, le commutateur est placé sur « NORMAL USE » (utilisation normale).

- En cas de dysfonctionnement de l'électronique de commande, réglez le commutateur sur « EMERGENCY OVERRIDE » (mode urgence).



REMARQUE

Lorsque le commutateur est mis sur « EMERGENCY OVERRIDE », le système de réfrigération fonctionne à pleine puissance. En fonction du mode des différents compartiments lors de la commutation, le système utilise un compartiment ou les deux en guise de compartiment de réfrigération et/ou désactive l'un des compartiments.

7.11 Port USB pour l'alimentation électrique

Vous pouvez utiliser le port USB pour le chargement de petits appareils (par ex. un téléphone mobile ou un lecteur MP3).

Pour utiliser votre glacière avec un appareil USB, branchez simplement un câble USB (non fourni) sur l'appareil.



REMARQUE

Assurez-vous que le petit appareil branché sur le port USB soit utilisable sous 5 V/500 mA.

7.12 Arrêt de la glacière

- Videz la glacière.
- Éteignez la glacière.
- Débranchez le câble de raccordement.

Lorsque vous ne voulez pas utiliser la glacière pendant une période prolongée :

- Laissez la porte légèrement ouverte. Vous évitez ainsi la formation d'odeurs.

7.13 Dégivrage de la glacière

L'humidité de l'air peut se condenser sous forme de givre au niveau de l'évaporateur ou à l'intérieur de la glacière et diminuer ainsi sa puissance frigorifique. Veillez donc à dégivrer l'appareil à temps.



AVIS ! Risque d'endommagement !

N'utilisez jamais d'outils durs ou pointus pour enlever les couches de glace ou pour détacher des objets pris dans le givre.

Procédez de la manière suivante pour dégivrer la glacière :

- Retirez les aliments.
- Placez-les éventuellement dans un autre réfrigérateur pour qu'ils restent froids.
- Éteignez la glacière.
- Laissez le couvercle ouvert.
- Essayez l'eau provenant du dégivrage.

7.14 Remplacement du fusible de l'appareil



DANGER ! Danger de mort par électrocution !

Débranchez l'alimentation électrique et le câble de raccordement avant de changer le fusible de l'appareil.

- Débranchez l'alimentation électrique de la glacière.
- Débranchez les câbles de raccordement.
- Retirez le porte-fusible (fig. **4** 2, page 4) en faisant par ex. levier avec un tournevis.
- Remplacez le fusible en verre défectueux par un nouveau fusible de en verre même valeur (4 A, 250 V).
- Remplacez le porte-fusible dans le boîtier, en appuyant dessus.
- Rebranchez l'alimentation électrique de la glacière.

7.15 Remplacement du fusible du connecteur (courant continu)

- Dévissez le boîtier de la tige de contact (fig. **7** 3, page 5) du connecteur (fig. **7** 1, page 5).
- Remplacez le fusible défectueux (fig. **7** 2, page 5) par un nouveau fusible de même valeur (3 AG, 15 A).
- Remontez le connecteur en effectuant les opérations dans l'ordre inverse.

7.16 Remplacement du platine de commande lumineuse

- Débranchez l'alimentation électrique de la glacière.
- Ouvrez le cache transparent à l'aide d'un tournevis (fig. **8** A, page 5).
- Retirez les vis de montage de la platine de commande (fig. **8** B, page 5).
- Retirez la fiche de la platine de commande (fig. **8** C, page 5).
- Remplacez la platine de commande défectueuse par une neuve.
- Mettez en place une nouvelle platine de commande en exécutant dans l'ordre inverse des étapes décrites pour la dépose de la platine de commande.
- Remplacez le couvercle transparent dans le boîtier.
- Rebranchez l'alimentation électrique de la glacière.

8 Entretien et nettoyage



AVERTISSEMENT !

Avant toute opération de nettoyage ou d'entretien de l'appareil, veillez à le mettre hors secteur.



AVIS ! Risque d'endommagement !

- Ne nettoyez jamais la glacière à l'eau courante et ne la plongez pas non plus dans l'eau.
- N'utilisez pour le nettoyage ni produits abrasifs ni objets durs qui pourraient endommager la glacière.

- Nettoyez de temps à autre l'appareil à l'intérieur et à l'extérieur avec un chiffon humide.
- Assurez-vous que les ouvertures d'aération et de ventilation de l'appareil ne sont pas encombrées de saletés ou de poussières, pour que la chaleur générée par le fonctionnement soit évacuée et que l'appareil ne soit pas endommagé.

9 Dépannage

| Dysfonctionnement | Cause possible | Solution proposée |
|---|---|---|
| L'appareil ne fonctionne pas, la LED n'est pas allumée. | La prise de courant continu de votre véhicule n'est pas sous tension. | Dans la plupart des véhicules, le contact doit être mis pour que la prise de courant continu soit sous tension. |
| | La prise de courant alternatif n'est pas sous tension. | Essayez une autre prise. |
| | Le fusible de l'appareil est défectueux. | Remplacez le fusible de l'appareil (voir chapitre « Remplacement du fusible de l'appareil », page 48). |
| | Le bloc d'alimentation intégré est défectueux. | La réparation doit être effectuée uniquement par un service après-vente agréé. |

| Dysfonctionnement | Cause possible | Solution proposée |
|---|---|--|
| La glacière ne réfrigère pas (le connecteur est branché, la LED « POWER » est allumée). | Compresseur défectueux. | La réparation doit être effectuée uniquement par un service après-vente agréé. |
| La glacière ne réfrigère pas (le connecteur est branché, la LED « POWER » clignote en orange, l'écran est éteint). | La tension de la batterie est insuffisante. | Chargez la batterie si besoin. |
| | Le protecteur de batterie est sur « LOW ». | Réglez le protecteur de batterie sur un mode moins élevé. |
| En cas d'utilisation sur la prise de courant continu : L'allumage est en marche, l'appareil ne fonctionne pas et la DEL n'est pas allumée. Retirez le connecteur de la prise, puis procédez aux contrôles suivants. | La prise de courant est sale. Ceci entraîne un mauvais contact électrique. | Si la fiche devient très chaude lorsqu'elle est branchée dans la prise de l'allume-cigare, c'est que la prise de l'allume-cigare doit être nettoyée ou que la fiche n'est pas bien montée. |
| | Le fusible de sécurité du câble de raccordement a grillé. | Remplacez le fusible (15 A) du connecteur de courant continu (voir chapitre « Remplacement du fusible du connecteur (courant continu) », page 48) |
| | Le fusible du véhicule est grillé. | Remplacez le fusible du véhicule de la prise de courant continu (normalement 15 A) (veuillez respecter les instructions du manuel d'entretien de votre véhicule). |
| Un message d'erreur s'affiche (p. ex. « Err1 ») et l'appareil ne réfrigère pas. | Un dysfonctionnement interne a arrêté la glacière. | La réparation doit être effectuée uniquement par un service après-vente agréé. |
| L'éclairage intérieur d'un compartiment clignote. | Le couvercle du compartiment a été laissé ouvert pendant plus de trois minutes. | Refermez le couvercle du compartiment. |

10 Garantie

Le délai légal de garantie s'applique. Si le produit s'avérait défectueux, veuillez vous adresser à la filiale du fabricant située dans votre pays (voir adresses au verso du présent manuel) ou à votre revendeur spécialisé.

Veillez y joindre les documents suivants pour la gestion des réparations et de la garantie :

- une copie de la facture avec la date d'achat,
- le motif de la réclamation ou une description du dysfonctionnement.

11 Mise au rebut

- Jetez les emballages dans les conteneurs de déchets recyclables prévus à cet effet.



Lorsque vous mettez votre produit définitivement hors service, informez-vous auprès du centre de recyclage le plus proche ou auprès de votre revendeur spécialisé sur les prescriptions relatives au retraitement des déchets.

12 Caractéristiques techniques

| | CFX75DZW | CFX95DZW |
|-----------------------------------|---|--|
| N° de produit : | 9600001411 | 9105306639 |
| Tension de raccordement : | 12/24 V \equiv and 120 V \sim | |
| Courant nominal : | 12 V \equiv : 7,9 A 24 V \equiv : 3,6 A 120 V \sim : 0,74 A | 12 V \equiv : 7,5 A 24 V \equiv : 3,6 A 120 V \sim : 0,9 A |
| Puissance frigorifique : | +10 °C to -22 °C (+50 °F to -8 °F) | |
| Catégorie : | 1 | |
| Classe d'efficacité énergétique : | A+ | |
| Consommation électrique : | 105 kWh/annum | 109 kWh/annum |
| Capacité : | | |
| Grand compartiment réfrigérant : | 45 l | 54 l |
| Petit compartiment réfrigérant : | 30 l | 40,5 l |

| | CFX75DZW | CFX95DZW |
|------------------------------------|--|--|
| Capacité utile : | | |
| Grand compartiment réfrigérant : | 43 l | 50,5 l |
| Petit compartiment réfrigérant : | 27 l | 34,5 l |
| Classe climatique : | N, T | |
| Température ambiante : | +16 °C to +43 °C (+61 °F to +109 °F) | |
| Émissions sonores : | 37 dB(A) | |
| Port USB : | 5 V $\overline{=}$, 500 mA | |
| Réfrigérant : | R134a | |
| Quantité de réfrigérant : | 57 g/2,0 oz | 65 g/2,3 oz |
| Équivalent CO ₂ : | 0,082 t/180,78 lbs | 0,093 t/205,03 lbs |
| Potentiel d'effet de serre (GWP) : | 1430 | |
| Dimensions (l x H x p) en mm : | | |
| Avec poignées : | 887 x 472 x 495 (34,9" x 18,6" x 19,5") | 957 x 472 x 530 (37,7" x 18,6" x 20,9") |
| Sans poignées : | 832 x 472 x 495 (32,8" x 18,6" x 19,5") | 900 x 472 x 530 (35,4" x 18,6" x 20,9") |
| Poids : | 31 kg/68,3 lbs | 32 kg/70,6 lbs |

**REMARQUE**

La température minimale ne peut plus être atteinte à des températures ambiantes supérieures à +32 °C (90 °F).

Contient des gaz à effet de serre fluorés

Équipement hermétiquement scellé

Contrôle/certificats :

Cet appareil est conforme à la partie 15 des règles de la FCC. Le fonctionnement est soumis aux deux conditions suivantes :

(1) cet appareil ne doit pas causer d'interférences nuisibles et

(2) cet appareil doit accepter toute interférence reçue, y compris les interférences qui peuvent causer un mauvais fonctionnement.

Des changements ou modifications non expressément approuvés par l'organisme responsable de la conformité pourraient annuler l'autorisation donnée à l'utilisateur d'utiliser l'équipement. Cet équipement a été testé et jugé conforme aux limites d'un appareil numérique de classe B, conformément à la partie 15 des règles de la FCC. Ces limites sont conçues pour fournir une protection raisonnable contre les interférences nuisibles dans une installation résidentielle. Cet équipement génère, utilise et peut émettre une énergie radioélectrique et, s'il n'est pas installé et utilisé conformément aux instructions, peut causer des interférences nuisibles aux communications radio. Cependant, il n'y a aucune garantie que l'interférence ne se produira pas dans une installation particulière. Si cet appareil provoque des interférences nuisibles à la réception de la radio ou de la télévision, ce qui peut être déterminé en éteignant puis en rallumant l'appareil, l'utilisateur peut tenter de corriger l'interférence par une ou plusieurs des mesures suivantes :

- Réorienter ou déplacer l'antenne de réception.
- Augmenter la distance entre l'équipement et le récepteur.
- Brancher l'appareil dans une prise d'un circuit différent de celui auquel le récepteur est connecté.
- Consulter le revendeur ou un technicien radio / TV expérimenté.

Lea atentamente este manual antes de la puesta en funcionamiento del aparato y consérvelo en un lugar seguro para futuras consultas. En caso de vender o entregar el aparato a otra persona, entregue también estas instrucciones.

El fabricante declina toda responsabilidad por los daños causados por **el uso inadecuado** o por el **uso incorrecto** del aparato.

Índice

| | | |
|----------|---|----|
| 1 | Explicación de los símbolos | 55 |
| 2 | Indicaciones de seguridad | 56 |
| 2.1 | Seguridad general. | 56 |
| 2.2 | Seguridad durante el funcionamiento del aparato | 57 |
| 3 | Volumen de entrega | 58 |
| 4 | Accesorio | 58 |
| 5 | Uso adecuado | 59 |
| 6 | Descripción del funcionamiento | 60 |
| 6.1 | Características | 61 |
| 6.2 | Elementos de mando y de visualización | 61 |
| 7 | Manejo | 63 |
| 7.1 | Antes del primer uso | 63 |
| 7.2 | Consejos para el ahorro de energía | 64 |
| 7.3 | Conexión de la nevera | 65 |
| 7.4 | Uso del controlador de batería | 66 |
| 7.5 | Uso de la nevera | 67 |
| 7.6 | Ajuste de temperatura | 68 |
| 7.7 | Encendido o apagado de un compartimiento de refrigeración ... | 69 |
| 7.8 | Activación de señal de WLAN para app opcional | 70 |
| 7.9 | Ajustar el brillo de la pantalla | 71 |
| 7.10 | Uso de interruptor de emergencia | 71 |
| 7.11 | Conexión USB para suministro de corriente | 72 |
| 7.12 | Apagado de la nevera | 72 |
| 7.13 | Descongelamiento de la nevera | 72 |
| 7.14 | Sustitución del fusible del aparato | 73 |
| 7.15 | Cambio de fusible de clavija (corriente continua) | 73 |
| 7.16 | Cambio de circuito impreso de luces | 73 |

| | | |
|-----------|---------------------------------------|----|
| 8 | Limpieza y mantenimiento | 74 |
| 9 | Solución de averías | 75 |
| 10 | Garantía legal | 76 |
| 11 | Gestión de residuos | 76 |
| 12 | Datos técnicos | 77 |

1 Explicación de los símbolos



¡PELIGRO!

Indicación de seguridad: su incumplimiento acarrea la muerte o graves lesiones.



¡ADVERTENCIA!

Indicación de seguridad: su incumplimiento puede acarrear la muerte o graves lesiones.



¡ATENCIÓN!

Indicación de seguridad: su incumplimiento puede acarrear lesiones.



¡AVISO!

Su incumplimiento puede acarrear daños materiales y perjudicar el correcto funcionamiento del producto.



NOTA

Información adicional para el manejo del producto.

2 Indicaciones de seguridad

2.1 Seguridad general



¡ADVERTENCIA!

- No ponga el aparato en funcionamiento si presenta desperfectos visibles.
- Si se daña el cable de conexión del aparato, éste deberá ser reemplazado por el fabricante, su servicio de atención al cliente o una persona cualificada para evitar así posibles peligros.
- Sólo personal especializado puede realizar reparaciones en el aparato. Las reparaciones realizadas indebidamente pueden dar lugar a situaciones de considerable peligro.
- Los niños mayores de 8 años y las personas de capacidad física, sensorial o mental disminuida, así como aquellas personas con falta de experiencia y/o conocimientos suficientes solo podrán utilizar este aparato si están vigilados o han sido instruidos respecto al uso seguro del aparato y a los posibles peligros que pueden emanar de él.
- Los niños solo podrán realizar las tareas de limpieza y mantenimiento bajo vigilancia.
- Los niños no están autorizados a jugar con el aparato.
- Se ha de vigilar a los niños para garantizar que no usen este aparato como juguete.
- Mantenga y utilice el aparato fuera del alcance de los niños menores de 8 años.
- No guarde en el aparato sustancias con peligro de explosión como, p. ej., atomizadores con gases combustibles.



¡ATENCIÓN!

- Desconecte el aparato de la red
 - antes de realizar cualquier tarea de limpieza y mantenimiento;
 - después de cada uso.
- Los alimentos sólo se pueden guardar en los envases originales o en recipientes adecuados.



¡AVISO!

- Compare el valor de tensión indicado en la placa de características con el suministro de energía existente.

- Conecte el aparato únicamente del siguiente modo:
 - conecte el cable de alimentación CC a una caja de enchufe CC en el vehículo (por ejemplo mechero del vehículo)
 - o bien conecte el cable de alimentación de CA a la red de corriente alterna
- No extraiga nunca la clavija de la caja de enchufe tirando del cable de conexión.
- Si la nevera está conectada a la caja de enchufe CC: Desconecte de la batería el aparato refrigerador u otros dispositivos consumidores si va a conectar un cargador rápido.
- Si la nevera está conectada a la caja de enchufe CC: Desconecte la conexión o apague el aparato cuando apague el motor. De lo contrario podrá descargarse la batería.
- Este aparato refrigerador no es apto para transportar sustancias corrosivas o disolventes.
- Este aislamiento de este aparato refrigerador contiene ciclopentanto inflamable. Los gases presentes en el material aislante requieren un proceso de eliminación especial. Elimine debidamente el aparato al final de su vida útil.

2.2 Seguridad durante el funcionamiento del aparato



¡ATENCIÓN!

- Antes de la puesta en funcionamiento, asegúrese de que el cable de alimentación y la clavija de enchufe estén secos.
- No utilice cables alargadores.



¡AVISO!

- No utilice ningún aparato eléctrico dentro de la nevera, a no ser que el aparato en cuestión haya sido recomendado para ello por el fabricante.
- No coloque el aparato cerca de llamas vivas ni de otras fuentes de calor (calefacción, radiación directa del sol, estufas de gas, etc.).
- **¡Peligro de sobrecalentamiento!**
Asegúrese todo el tiempo de que el calor producido durante el funcionamiento se puede desalojar adecuadamente. Asegúrese de que el aparato guarda la suficiente distancia con las paredes u objetos, de forma que el aire pueda circular.
- Procure que no se obstruyan las ranuras de ventilación.

- No introduzca líquidos ni hielo en el contenedor interior.
- No sumerja nunca el aparato en agua.
- Proteja el aparato y los cables del calor y de la humedad.

3 Volumen de entrega

La fig. **1**, página 3 muestra el volumen de entrega.

| Pos. | Cantidad | Denominación |
|------|----------|---|
| 1 | 1 | Nevera con compresor |
| 2 | 1 | Cable de conexión de corriente continua |
| 3 | 1 | Cable de conexión de corriente alterna |
| - | 1 | Instrucciones de uso |

4 Accesorio

Disponible como accesorio (no incluido en el volumen de entrega):

| Denominación | N.º de art. |
|--|-------------|
| Kit de fijación universal (sistema de correas) CFX-UFK | 9108300002 |

En el sitio web de Dometic (véase al dorso) encontrará información acerca de una app de WLAN con funciones de control, visualización y alarma. Puede que la app no esté disponible en su país.

5 Uso adecuado

Esta nevera es apta para enfriar y congelar alimentos. La nevera también es apta para su funcionamiento en embarcaciones.

La nevera está diseñada para conectarse a una caja de enchufe de corriente continua de un automóvil (por ejemplo, el mechero del vehículo), de una caravana o una embarcación, así como a una red de corriente alterna.

Esta nevera está concebida para el uso doméstico o usos similares, como por ejemplo:

- en las cocinas destinadas al personal en establecimientos comerciales, oficinas u otros recintos de trabajo
- en el trabajo en el campo
- para los huéspedes de hoteles, moteles u otros tipos de alojamiento
- en pensiones con desayuno
- en servicios de catering y otras aplicaciones semejantes





¡ATENCIÓN! ¡Riesgo para la salud!

Compruebe si la potencia de refrigeración de la nevera cumple los requisitos de los alimentos o medicamentos que desea enfriar.

6 Descripción del funcionamiento

En la nevera se pueden enfriar, mantener fríos y congelar productos. La refrigeración se realiza a través de un circuito de refrigeración exento de mantenimiento, con compresor. El aislamiento exterior extrafuerte y el compresor de alto rendimiento garantizan una refrigeración especialmente rápida.

La nevera cuenta con dos compartimientos separados que pueden ajustarse independientemente el uno del otro. La nevera se puede utilizar en todas las combinaciones:

| Compartimiento grande  | Compartimiento pequeño  |
|---|--|
| Compartimiento de refrigeración | Congelador |
| Congelador | Compartimiento de refrigeración |
| Compartimiento de refrigeración | Compartimiento de refrigeración |
| Congelador | Congelador |

(Para obtener más detalles véase capítulo "Ajuste de temperatura" en la página 68)

La nevera está prevista para un uso portátil.

Para su uso en embarcaciones, la nevera puede funcionar con un ángulo de escora de 30°.



NOTA

La superficie de la carcasa debajo de la junta de la tapa se puede notar caliente. Esto es normal, ya que la calefacción integrada evita la formación de agua de condensación.

6.1 Características



- Fuente de alimentación con conexión de prioridad para conexión a la corriente alterna
- Controlador de la batería de tres etapas para proteger la batería del vehículo
- Pantalla con indicación de temperatura en °C y °F se apaga automáticamente en caso de tensión baja de la batería
- Ajustes, controles e indicaciones independientes para cada compartimento
- Regulación de temperatura: Con dos teclas a pasos de 1 °C (y a pasos de 2 °F)
- Emisor WLAN integrado, por lo tanto se puede controlar mediante app
- Señalización en caso de tapa abierta
- Conexión USB para suministro de corriente
- Interruptor de emergencia
- Asas de transporte abatibles
- Tres cestas interiores extraíbles

6.2 Elementos de mando y de visualización

Bloqueo de la tapa: fig. 2 1, página 3

Panel de mando (fig. 3, página 3)

| Pos. | Denominación | Explicación |
|------|--------------|--|
| 1 | ON OFF | Enciende o apaga la nevera cuando se pulsa la tecla durante uno o dos segundos |
| 2 | POWER "⏻" | Indicación del modo de funcionamiento LED iluminado en verde: el compresor está en marcha LED iluminado en naranja: el compresor está apagado LED intermitente en naranja: la pantalla se apaga automáticamente porque la tensión de la batería es baja |
| 3 | ERROR | LED intermitente en rojo: la nevera está encendida pero no está lista para funcionar |

| Pos. | Denominación | Explicación |
|------|--|--|
| 4 | SET | <p>Selecciona el modo de entrada de datos:</p> <ul style="list-style-type: none"> – Ajuste de temperatura (compartimiento de refrigeración grande/pequeño) – Indicación de grados centígrados o Fahrenheit – Ajuste del controlador de la batería – Ajuste del brillo de la pantalla – Activa o desactiva la WLAN |
| 5 | Refrigeración grande  | <p>Indicador de estado del compartimiento de refrigeración grande</p> <hr/> <p>LED iluminado en azul: el compartimiento de refrigeración enfría</p> <hr/> <p>LED no iluminado: el compartimiento de refrigeración no enfría</p> |
| 6 | Indicador grande | <ul style="list-style-type: none"> – Muestra información acerca del compartimiento de refrigeración grande – Muestra "OFF" cuando el compartimiento de refrigeración está apagado |
| 7 | Indicador pequeño | <ul style="list-style-type: none"> – Muestra información acerca del compartimiento de refrigeración pequeño – Muestra "OFF" cuando el compartimiento de refrigeración está apagado |
| 8 | Refrigeración pequeño  | <p>Indicador de estado del compartimiento de refrigeración pequeño</p> <hr/> <p>LED iluminado en azul: el compartimiento de refrigeración enfría</p> <hr/> <p>LED no iluminado: el compartimiento de refrigeración no enfría</p> |
| 9 | DOWN – | Pulsando una vez, disminuye el valor de entrada |
| 10 | UP + | Pulsando una vez, aumenta el valor de entrada |

Hembrillas de conexión, interruptor de emergencia (si existe) y conexión USB (fig. 4, página 4):

| Pos. | Denominación |
|------|---|
| 1 | Hembrilla de corriente alterna |
| 2 | Portafusibles |
| 3 | Interruptor de emergencia |
| 4 | Conexión USB para suministro de corriente |
| 5 | Hembrilla de corriente continua |

7 Manejo

7.1 Antes del primer uso



NOTA

Por razones de higiene, debería limpiar la nevera por dentro y por fuera con un paño húmedo antes de ponerla en funcionamiento (véase también el capítulo “Limpieza y mantenimiento” en la página 74).

Dar la vuelta al tope de la tapa

Puede dar la vuelta al tope de la tapa, en caso de que desee abrir la tapa hacia el otro lado. Para ello proceda de la siguiente manera:

- Abra la tapa y quítela (fig. 5 A, página 4).
- Retire los tres tornillos respectivos de las bisagras laterales (fig. 5 B, página 4) y quite las bisagras.
- Quite las tapas de plástico de las nuevas posiciones de las bisagras laterales con ayuda de un pequeño destornillador y vuelva a colocarlas en las posiciones anteriores de las bisagras.
- Monte las bisagras laterales en las nuevas posiciones.
- Quite las dos tapas de plástico de la posición de la bisagra central (fig. 6 A, página 5).
- Retire los cuatro tornillos de la bisagra central (fig. 6 B, página 5) y quite la bisagra.

- Quite la tapa de plástico de la nueva posición de la bisagra con ayuda de un pequeño destornillador y vuelva a colocarla en la posición anterior de la bisagra (fig. **6** C, página 5).
- Monte la bisagra central en la nueva posición.
- Coloque la tapa en la bisagra del lado opuesto (fig. **6** D, página 5).

Selección de la unidad de temperatura

Para la indicación de temperatura puede elegir entre grados centígrados o Fahrenheit. Para ello proceda de la siguiente manera:

- Encienda la nevera.
 - Pulse tres veces la tecla "SET" (fig. **3** 4, página 3).
 - Ajuste con las teclas "UP +" (fig. **3** 10, página 3) o "DOWN -" (fig. **3** 9, página 3) la unidad de temperatura en grados centígrados (Celsius) o Fahrenheit.
- ✓ Ambas pantallas muestran durante unos segundos la unidad de temperatura ajustada. Las pantallas parpadean algunas veces antes de volver a mostrar la temperatura actual.

7.2 Consejos para el ahorro de energía

- Elija un lugar de montaje correctamente ventilado y protegido de la radiación solar.
- Antes de introducir alimentos calientes, deje que se enfríen.
- Evite abrir la nevera más de lo necesario.
- No deje la nevera abierta más tiempo del que sea necesario.
- Descongele la nevera cuando se forme una capa de escarcha.
- No regule una temperatura innecesariamente baja en el interior.

7.3 Conexión de la nevera

Conexión a una batería de vehículo (automóvil o embarcación)

La nevera se puede utilizar con corriente continua.



¡AVISO! Peligro de ocasionar daños materiales

Antes de cargar la batería del vehículo con un cargador rápido, desconéctela de la nevera y de otros aparatos conectados.

La sobretensión puede dañar el sistema electrónico de los aparatos.

Por motivos de seguridad, la nevera está equipada con una protección electrónica contra inversión de polaridad que la protege si no se respeta la polaridad al conectarla a la batería y también si se produce un cortocircuito.

- Enchufe el cable de conexión de corriente continua (fig. **1** 2, página 3) a la hembra de corriente continua de la nevera y conéctela a la red de corriente continua.

Conexión a una red de corriente alterna (por ejemplo, en casa o en la oficina)



¡PELIGRO! ¡Peligro de muerte por descarga eléctrica!

- No manipule los enchufes ni interruptores con las manos mojadas ni con los pies sobre una superficie mojada.
- Si la nevera funciona en una embarcación conectada a una red de corriente alterna a través de una conexión de tierra, se deberá conectar un interruptor de protección FI entre la red de corriente alterna y la nevera.
Consulte con un especialista.

Las neveras están provistas de una fuente de alimentación integrada de tensión múltiple con conexión de prioridad para conectar a corriente alterna. Mediante la conexión de prioridad se cambia automáticamente al funcionamiento por corriente de red cuando la nevera se conecta a una red de corriente alterna, incluso si el cable de corriente continua aún está enchufado.

- Enchufe el cable de conexión de corriente alterna (fig. **1** 3, página 3) a la hembra de corriente alterna de la nevera y conéctela a la red de corriente alterna.

7.4 Uso del controlador de batería

La nevera está equipada con un controlador de batería de varios niveles que evita que la batería del vehículo se descargue excesivamente cuando se utiliza la red de corriente continua.

En caso de poner la nevera en funcionamiento en el vehículo con el contacto apagado, ésta se desconectará automáticamente en cuanto la tensión de alimentación descienda por debajo del valor programable. La nevera vuelve a conectarse tan pronto como se cargue la batería y se alcance la tensión de alimentación de reconexión.



¡AVISO! Peligro de ocasionar daños materiales

Cuando el controlador de la batería la desconecta, ésta ya no dispone de su capacidad de carga plena. Evite arranques reiterados o poner en funcionamiento otros aparatos conectados a la corriente sin fases de recarga prolongadas. Asegúrese de recargar la batería.

En el modo "HIGH" el controlador de batería se activa antes que en el nivel "LOW" y "MED" (véase la siguiente tabla).

| Modo del controlador de batería | LOW | MED | HIGH |
|---------------------------------|--------|--------|--------|
| Tensión de desconexión a 12 V | 10,1 V | 11,4 V | 11,8 V |
| Tensión de reconexión a 12 V | 11,1 V | 12,2 V | 12,6 V |
| Tensión de desconexión a 24 V | 21,5 V | 24,1 V | 24,6 V |
| Tensión de reconexión a 24 V | 23,0 V | 25,3 V | 26,2 V |

Para cambiar el modo del controlador de la batería, proceda como sigue:

- Encienda la nevera.
- Pulse tres veces la tecla "SET" (fig. 3 4, página 3).
- Ajuste con las teclas "UP +" (fig. 3 10, página 3) o "DOWN -" (fig. 3 9, página 3), el modo del controlador de la batería.
- ✓ En la pantalla digital se muestra lo siguiente:
Lo (LOW), Πd (MED), HI (HIGH)
- ✓ La pantalla indica durante unos segundos el modo del controlador de batería ajustado. La pantalla parpadea algunas veces antes de volver a mostrar la temperatura actual.

**NOTA**

Cuando la nevera está alimentada por la batería de arranque, seleccione el modo del controlador de batería "HIGH". Cuando la nevera está conectada a una batería de alimentación, es suficiente el modo de controlador de batería "LOW".

7.5 Uso de la nevera

**¡AVISO! ¡Peligro de sobrecalentamiento!**

Asegúrese de que quede constantemente garantizada una salida adecuada del calor que se desprende durante el funcionamiento. Evite que se obstruyan las aberturas de ventilación. Asegúrese también de que la nevera guarde la suficiente distancia respecto a paredes u objetos, de forma que el aire pueda circular.

- Coloque la nevera sobre una base firme. Procure que no se obstruyan las aberturas de ventilación y que el aire recalentado se evacue correctamente.

**NOTA**

Coloque la nevera como se indica en (fig. **1**, página 3). Si la nevera se pone en marcha en otra posición, ésta podría sufrir daños.

- Conecte la nevera, véase capítulo "Conexión de la nevera" en la página 65.

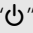
**¡AVISO! ¡Peligro debido a una temperatura demasiado baja!**

Asegúrese de que en la nevera solo haya objetos o productos que puedan enfriarse a la temperatura ajustada.

- Mantenga la tecla "ON/OFF" (fig. **3** 1, página 3) pulsada durante uno o dos segundos.
- ✓ El LED "⏻" se ilumina (fig. **3** 2, página 3).
- ✓ Las pantallas (fig. **3** 6 y 7, página 3) se encienden e indican la temperatura de enfriamiento actual.
- ✓ Conforme a las temperaturas ajustadas de los compartimientos de refrigeración, la nevera empieza a enfriar uno o ambos compartimientos de refrigeración.

- ✓ Los LEDs (fig. **3** 5 y 8, página 3) se iluminan cuando el compartimiento de refrigeración correspondiente se enfría.

**NOTA**

Durante el funcionamiento con una batería de vehículo, la pantalla se apaga automáticamente si la tensión de la batería es baja. El LED “” parpadea en naranja.

Bloqueo de la nevera

- Cierre la tapa.
- Presione los bloqueos (fig. **2** 1, página 3) hacia abajo hasta que los oiga encajar.

**NOTA – Alarma “Tapa abierta”**

Si la tapa se deja abierta durante más de tres minutos y el aparato está encendido, la correspondiente luz interior parpadea hasta que se cierra la tapa.

7.6 Ajuste de temperatura

- Pulse la tecla “SET” (fig. **3** 4, página 3):
 - una vez para el compartimiento de refrigeración grande
 - dos veces para el compartimiento de refrigeración pequeño
- ✓ El indicador del compartimiento de refrigeración correspondiente parpadea.
- Ajuste la temperatura de enfriamiento con las teclas “UP +” (fig. **3** 10, página 3) y “DOWN –” (fig. **3** 9, página 3).

La temperatura se puede ajustar de modo que cada compartimiento funcione como compartimiento de refrigeración o como congelador.
- ✓ La pantalla indica durante unos segundos la temperatura de enfriamiento ajustada. La pantalla parpadea algunas veces antes de volver a mostrar la temperatura actual.

**NOTA**

La temperatura de cada compartimiento de refrigeración se puede ajustar hasta $-22\text{ }^{\circ}\text{C}$. Sin embargo, el fabricante recomienda una temperatura de $-15\text{ }^{\circ}\text{C}$ hasta $-18\text{ }^{\circ}\text{C}$ para el funcionamiento normal y para un consumo de energía óptimo.

7.7 Encendido o apagado de un compartimiento de refrigeración

En caso de que se requiera un solo compartimiento de refrigeración, el otro compartimiento se puede apagar para ahorrar energía.

Apagado de un compartimiento de refrigeración

Cuando la pantalla del compartimiento de refrigeración muestra una temperatura, éste se puede apagar de la siguiente manera:

- ▶ Pulse la tecla "SET" (fig. **3** 4, página 3):
 - una vez para el compartimiento de refrigeración grande
 - dos veces para el compartimiento de refrigeración pequeño
- ✓ El indicador del compartimiento de refrigeración correspondiente parpadea.
- ▶ Pulse la tecla "ON/OFF" (fig. **3** 1, página 3).
- ✓ En el indicador del compartimiento de refrigeración correspondiente parpadea durante cinco segundos el mensaje "OFF" y a continuación se muestra "OFF".

Encendido del compartimiento de refrigeración

Cuando la pantalla del compartimiento de refrigeración muestra "OFF", éste se puede apagar de la siguiente manera:

- ▶ Pulse la tecla "SET" (fig. **3** 4, página 3):
 - una vez para el compartimiento de refrigeración grande
 - dos veces para el compartimiento de refrigeración pequeño
- ✓ El indicador del compartimiento de refrigeración correspondiente parpadea.
- ▶ Pulse la tecla "ON/OFF" (fig. **3** 1, página 3).
- ✓ La pantalla indica durante unos segundos la temperatura de enfriamiento ajustada. La pantalla parpadea algunas veces antes de cambiar para volver a mostrar la temperatura actual.

7.8 Activación de señal de WLAN para app opcional

La nevera se puede controlar a través de WLAN con una app que se puede instalar en cualquier dispositivo compatible. La app dispone de funciones de control, visualización y alarma.

Encontrará información más detallada en el sitio web de Dometic de su país (véase al dorso). Tenga en cuenta que es posible que la app no esté disponible en su país.

El nombre Wi-Fi de la nevera con compresor empieza con "CFX". La contraseña preajustada de fábrica es "00000000". El nombre Wi-Fi y la contraseña se pueden cambiar individualmente.

Encendido/apagado de la señal de WLAN

- ▶ Pulse seis veces la tecla "SET" (fig. **3** 4, página 3).
- ▶ Active o desactive la señal de WLAN con las teclas "UP +" (fig. **3** 10, página 3) o "DOWN -" (fig. **3** 9, página 3).
- ✓ La pantalla indica durante algunos segundos los ajustes deseados. La pantalla parpadea algunas veces antes de volver a mostrar la temperatura actual.



NOTA

- En la configuración de fábrica, el emisor Wi-Fi está desactivado. Durante la primera puesta en funcionamiento y después de cada corte de corriente, usted deberá activar el emisor Wi-Fi para poder utilizar la app.
- El emisor WLAN consume muy poca corriente. Para alcanzar un rendimiento energético óptimo, apague el emisor WLAN cuando no esté en uso.

Restablecimiento de ajustes de fábrica de WLAN

Si ha personalizado los ajustes de WLAN de la nevera a través de la app de WLAN y ha olvidado su contraseña, puede restablecer los ajustes de fábrica de la nevera de la siguiente manera:

- ▶ Pulse seis veces la tecla "SET" (fig. **3** 4, página 3).
- ▶ Mantenga la tecla "UP +" (fig. **3** 10, página 3) pulsada durante al menos cinco segundos.
- ✓ En las pantallas parpadea varias veces el mensaje "rES" antes de volver a la visualización anterior.
- ✓ Los ajustes de WLAN se han restablecido a los ajustes de fábrica.

Para obtener más información visite el sitio web de Dometic desde el que haya descargado la app.

7.9 Ajustar el brillo de la pantalla

En un entorno oscuro se puede atenuar el brillo de la pantalla. Para ajustar el brillo de la pantalla proceda tal y como se indica a continuación:

- ▶ Encienda la nevera.
- ▶ Presione cuatro veces el pulsador "SET" (fig. **3** 4, página 3).
- ▶ Ajuste el brillo de la pantalla con los pulsadores "UP +" (fig. **3** 7, página 3) o "DOWN -" (fig. **3** 6, página 3).
- ✓ En la pantalla se muestra lo siguiente:
d0 (por defecto), d1 (brillo mediano), d2 (oscuro)
- ✓ La pantalla indica durante unos segundos el modo ajustado. La pantalla parpadea algunas veces antes de volver al brillo actual.



NOTA

- El ajuste por defecto del brillo de la pantalla es d0 (preajustado).
- Si se produce una avería, el brillo pasa automáticamente al ajuste por defecto d0 (preajustado). Tras la solución de averías se vuelve a activar el brillo ajustado.

7.10 Uso de interruptor de emergencia

El interruptor de emergencia (fig. **4** 3, página 4) se encuentra debajo del panel de mando. Para el funcionamiento normal el interruptor se coloca en "NORMAL USE" (uso normal).

- ▶ Si se produce una avería en la electrónica de control, coloque el interruptor en "EMERGENCY OVERRIDE" (accionamiento de emergencia).



NOTA

Si el interruptor está en la posición "EMERGENCY OVERRIDE", el sistema de enfriamiento funciona con potencia de refrigeración total. Según el modo de funcionamiento de los compartimientos individuales al momento del encendido, el sistema funciona con uno o ambos compartimientos como congelador o apaga uno de los compartimientos.

7.11 Conexión USB para suministro de corriente

La conexión USB se puede utilizar para cargar dispositivos pequeños (como por ejemplo teléfonos móviles y reproductores de MP3).

Si desea utilizar su nevera con un dispositivo USB, solo tiene que conectar un cable USB (no incluido en el volumen de entrega) al aparato.



NOTA

Asegúrese de que el dispositivo pequeño que enchufe a la conexión USB sea adecuado para el funcionamiento con 5 V/500 mA.

7.12 Apagado de la nevera

- Vacíe la nevera.
- Apague la nevera.
- Desenchufe el cable de conexión.

Si no desea usar la nevera durante un largo período de tiempo:

- Deje la tapa ligeramente abierta. De esta forma evitará la formación de olores.

7.13 Descongelamiento de la nevera

Es posible que la humedad del aire se deposite en forma de escarcha en el evaporador o en el interior de la nevera, disminuyendo de este modo la potencia de refrigeración. Descongele la nevera a tiempo.



¡AVISO! Peligro de ocasionar daños materiales

Nunca utilice herramientas duras ni puntiagudas para retirar capas de hielo o despegar productos que se hayan adherido al congelarse.

Para descongelar la nevera, proceda como se indica a continuación:

- Extraiga los productos.
- En caso necesario, coloque los productos en otro frigorífico para mantenerlos fríos.
- Apague la nevera.
- Deje la tapa abierta.
- Seque con un paño el agua descongelada.

7.14 Sustitución del fusible del aparato



¡PELIGRO! ¡Peligro de muerte por descarga eléctrica!

Desconecte la alimentación de tensión y el cable de conexión de tensión antes de sustituir el fusible del aparato.

- Desconecte la alimentación de tensión a la nevera.
- Desenchufe el cable de conexión.
- Quite el juego de fusibles (fig. **4** 2, página 4) con un destornillador.
- Cambie el fusible de cristal averiado por otro nuevo del mismo valor (4 A, 250 V).
- Presione el juego de fusibles en la carcasa.
- Conecte la alimentación de tensión a la nevera.

7.15 Cambio de fusible de clavija (corriente continua)

- Desatornille la carcasa de clavija de contacto (fig. **7** 3, página 5) de la clavija (fig. **7** 1, página 5).
- Cambie el fusible averiado (fig. **7** 2, página 5) por otro nuevo con el mismo valor (3AG, 15 A).
- Vuelva a montar la clavija procediendo en el orden inverso.

7.16 Cambio de circuito impreso de luces

- Desconecte la alimentación de tensión a la nevera.
- Abra la cubierta transparente mediante un destornillador (fig. **8** A, página 5).
- Suelte los tornillos de montaje del circuito impreso (fig. **8** B, página 5).
- Quite la clavija del circuito impreso (fig. **8** C, página 5).
- Cambie el circuito impreso de luces defectuoso por uno nuevo.
- Coloque un nuevo circuito impreso realizando en sentido inverso los pasos indicados en las instrucciones para quitar el circuito impreso.
- Coloque la cubierta transparente nuevamente en la carcasa.
- Conecte la alimentación de tensión a la nevera.

8 Limpieza y mantenimiento



¡ADVERTENCIA!

Desconecte el aparato de la red antes de proceder con la limpieza o el mantenimiento del mismo.



¡AVISO! ¡Peligro de ocasionar daños materiales!

- Nunca limpie la nevera bajo el chorro de agua corriente ni inmersa en agua jabonosa.
- No emplee productos de limpieza corrosivos u objetos que puedan arañar o deteriorar el aparato durante su limpieza.

- Limpie de vez en cuando el interior y el exterior de la nevera con un paño húmedo.
- Asegúrese de que las aberturas de ventilación y desaireación del aparato están limpias de polvo para que se pueda evacuar el calor generado durante el funcionamiento y el aparato no resulte perjudicado.

9 Solución de averías

| Avería | Posible causa | Propuesta de solución |
|--|--|--|
| La nevera no funciona, el LED no se ilumina. | No hay tensión en el enchufe de corriente continua del vehículo. | En la mayoría de los vehículos debe estar conectado el interruptor de encendido para que el enchufe de corriente continua reciba tensión. |
| | El enchufe de corriente alterna no conduce tensión. | Inténtelo en otro enchufe. |
| | El fusible del aparato está averiado. | Cambie el fusible del aparato, véase capítulo "Sustitución del fusible del aparato" en la página 73. |
| | La fuente de alimentación integrada está averiada. | La reparación solo puede ser realizada por un servicio de atención al cliente autorizado. |
| La nevera no enfría (la clavija está conectada, el LED "POWER" se ilumina). | Compresor averiado. | La reparación solo puede ser realizada por un servicio de atención al cliente autorizado. |
| La nevera no enfría (la clavija está conectada, el LED "POWER" parpadea en naranja, la pantalla está apagada). | La tensión de batería no es suficiente. | Cargue la batería en caso necesario. |
| | El modo del controlador de la batería es demasiado alto | Ajuste el controlador de la batería a un modo más bajo. |
| Para el funcionamiento en el enchufe de corriente continua: el encendido está conectado, pero el aparato no funciona y el LED no está iluminado. Desenchufe la nevera y realice las siguientes comprobaciones. | El casquillo del enchufe de corriente continua está sucio y, en consecuencia, el contacto eléctrico es defectuoso. | Si la clavija se calienta demasiado en el enchufe de corriente continua, puede que sea necesario limpiar el casquillo o que la clavija no se haya montado correctamente. |
| | El fusible del enchufe de corriente continua está fundido. | Cambie el fusible (15 A) del enchufe de corriente continua, véase capítulo "Cambio de fusible de clavija (corriente continua)" en la página 73. |
| | El fusible del vehículo está fundido. | Cambie el fusible del enchufe de corriente continua del vehículo (normalmente 15 A) (consulte para ello el manual de instrucciones de su vehículo). |

| Avería | Posible causa | Propuesta de solución |
|--|---|---|
| La pantalla muestra un mensaje de error (por ejemplo, "Err1") y la nevera no enfría. | La nevera se ha apagado por un fallo interno. | La reparación solo puede ser realizada por un servicio de atención al cliente autorizado. |
| La iluminación interior de un compartimiento parpadea. | La tapa del compartimiento se dejó abierta durante más de tres minutos. | Cierre la tapa del compartimiento. |

10 Garantía legal

Rige el plazo de garantía legal. Si el producto presenta algún defecto, diríjase a la sucursal del fabricante de su país (ver direcciones en el dorso de estas instrucciones) o a su establecimiento especializado.

Para la tramitación de la reparación y de la garantía debe enviar también los siguientes documentos:

- una copia de la factura con fecha de compra,
- el motivo de la reclamación o una descripción de la avería.

11 Gestión de residuos

► Deseche el material de embalaje en el contenedor de reciclaje correspondiente.



Cuando vaya a desechar definitivamente el producto, infórmese en el centro de reciclaje más cercano o en un comercio especializado sobre las normas pertinentes de eliminación de materiales.

12 Datos técnicos

| | CFX75DZW | CFX95DZW |
|---|---|--|
| N.º de art.: | 9600001411 | 9105306639 |
| Tensión de conexión: | 12/24 V \equiv and 120 V \sim | |
| Corriente nominal: | 12 V \equiv : 7,9 A 24 V \equiv : 3,6 A 120 V \sim : 0,74 A | 12 V \equiv : 7,5 A 24 V \equiv : 3,6 A 120 V \sim : 0,9 A |
| Potencia de refrigeración: | +10 °C to -22 °C (+50 °F to -8 °F) | |
| Categoría: | 1 | |
| Clase de eficiencia energética: | A+ | |
| Consumo de energía: | 105 kWh/annum | 109 kWh/annum |
| Capacidad bruta: | | |
| Compartimento de refrigeración grande: | 45 l | 54 l |
| Compartimento de refrigeración pequeño: | 30 l | 40,5 l |
| Capacidad útil: | | |
| Compartimento de refrigeración grande: | 43 l | 50,5 l |
| Compartimento de refrigeración pequeño: | 27 l | 34,5 l |
| Clase climática: | N, T | |
| Temperatura ambiente: | +16 °C to +43 °C (+61 °F to +109 °F) | |
| Emisiones de ruido: | 37 dB(A) | |
| Conexión USB: | 5 V \equiv , 500 mA | |
| Refrigerante: | R134a | |
| Cantidad de refrigerante: | 57 g/2,0 oz | 65 g/2,3 oz |
| Equivalente a CO ₂ : | 0,082 t/180,78 lbs | 0,093 t/205,03 lbs |
| Índice GWP: | 1430 | |
| Dimensiones (An x Al x P) en mm: | | |
| Con asas: | 887 x 472 x 495 (34,9" x 18,6" x 19,5") | 957 x 472 x 530 (37,7" x 18,6" x 20,9") |
| Sin asas: | 832 x 472 x 495 (32,8" x 18,6" x 19,5") | 900 x 472 x 530 (35,4" x 18,6" x 20,9") |
| Peso: | 31 kg/68,3 lbs | 32 kg/70,6 lbs |

**NOTA**

A partir de temperaturas ambiente superiores a +32 °C (90 °F) no será posible alcanzar la temperatura mínima.

Contiene gases de efecto invernadero fluorados

Aparato sellado herméticamente

Inspección/certificados:

Este dispositivo cumple las disposiciones establecidas en la sección 15 de las normas de la Comisión Federal de Comunicaciones (FCC). Su funcionamiento está sujeto a las dos siguientes condiciones:

(1) Este dispositivo no provoca interferencias perjudiciales

(2) Este dispositivo debe aceptar cualquier interferencia recibida, incluidas aquellas que puedan causar un funcionamiento inadecuado

Los cambios o modificaciones no autorizados expresamente por la parte responsable de su cumplimiento podrían invalidar la autoridad del usuario de operar el equipo.

Las pruebas efectuadas en este equipo han servido para determinar que cumple los límites de dispositivos digitales de clase B, especificados en la sección 15 de las normas de la FCC. Dichos límites se han establecido con el fin de conceder un margen razonable de protección contra interferencias perjudiciales en áreas residenciales. Este equipo genera, utiliza y puede irradiar energía de radiofrecuencia y, si no se instala y utiliza de acuerdo con las instrucciones, puede provocar interferencias perjudiciales en las radiocomunicaciones. No obstante, no se garantiza que no se producirán interferencias en una instalación determinada. Si este equipo provoca interferencias en la recepción radiofónica o televisiva, lo que puede determinarse encendiendo y apagando el equipo, se recomienda al usuario que trate de corregirlas mediante una o más de las siguientes medidas:

- Cambiar la orientación o ubicación de la antena receptora.
- Aumentar la separación entre el equipo y el receptor.
- Enchufar el equipo en un tomacorriente que pertenezca a un circuito distinto a del receptor.
- Consultar al distribuidor o a un técnico experto en radio y televisión para obtener ayuda.

Por favor, leia atentamente este manual antes da colocação em funcionamento do aparelho e guarde-o em local seguro. Em caso de revenda do aparelho, entregue o manual ao novo comprador.

O fabricante não se responsabiliza por danos resultantes de uma **utilização inadequada** ou de uma **operação incorrecta**.

Índice

| | | |
|----------|--|----|
| 1 | Explicação dos símbolos | 80 |
| 2 | Indicações de segurança | 81 |
| 2.1 | Segurança geral | 81 |
| 2.2 | Segurança durante a utilização do aparelho | 82 |
| 3 | Material fornecido | 83 |
| 4 | Acessório | 83 |
| 5 | Utilização adequada | 83 |
| 6 | Descrição do funcionamento | 84 |
| 6.1 | Âmbito de funções | 85 |
| 6.2 | Elementos de comando e de indicação | 85 |
| 7 | Operação | 87 |
| 7.1 | Antes da primeira utilização | 87 |
| 7.2 | Sugestões para poupar energia | 88 |
| 7.3 | Ligar o aparelho de refrigeração | 89 |
| 7.4 | Utilizar o monitorizador da bateria | 90 |
| 7.5 | Utilizar a geleira | 91 |
| 7.6 | Regular a temperatura | 92 |
| 7.7 | Desligar ou ligar um compartimento de refrigeração | 93 |
| 7.8 | Ativar o sinal WLAN para a aplicação opcional | 94 |
| 7.9 | Configurar a luminosidade do mostrador | 95 |
| 7.10 | Utilizar o interruptor de emergência | 96 |
| 7.11 | Conexão USB para a alimentação de tensão | 96 |
| 7.12 | Desligar a geleira | 97 |
| 7.13 | Descongela a geleira | 97 |
| 7.14 | Substituir o fusível do aparelho | 98 |
| 7.15 | Substituir o fusível da ficha (corrente contínua) | 98 |
| 7.16 | Substituir a placa do circuito de luz | 98 |
| 8 | Limpeza e manutenção | 99 |

| | | |
|-----------|----------------------------------|-----|
| 9 | Resolução de falhas | 99 |
| 10 | Garantia | 101 |
| 11 | Eliminação | 101 |
| 12 | Dados técnicos | 102 |

1 Explicação dos símbolos



PERIGO!

Indicação de segurança: o incumprimento causa a morte ou ferimentos graves.



AVISO!

Indicação de segurança: o incumprimento pode provocar a morte ou ferimentos graves.



PRECAUÇÃO!

Indicação de segurança: o incumprimento pode provocar ferimentos.



NOTA!

O incumprimento pode causar danos materiais e pode prejudicar o funcionamento do produto.



OBSERVAÇÃO

Informações suplementares sobre a operação do produto.

2 Indicações de segurança

2.1 Segurança geral



AVISO!

- Quando o aparelho apresentar danos visíveis, ele não deve ser colocado em funcionamento.
- Quando o cabo de conexão for danificado, o mesmo tem de ser substituído pelo fabricante, pela sua assistência técnica ou por uma pessoa com qualificações equivalentes para evitar perigos.
- As reparações neste aparelho apenas devem ser realizadas por técnicos especializados. As reparações inadequadas podem provocar perigos substanciais.
- Este aparelho pode ser utilizado por crianças a partir dos 8 anos, assim como por pessoas com capacidades físicas, sensoriais ou mentais reduzidas e/ou com insuficiente experiência e conhecimento, quando supervisionadas ou quando tenham recebido informação acerca da utilização segura do aparelho e tenham compreendido os perigos dele resultantes.
- A limpeza e a manutenção por parte do utilizador não podem ser efetuadas por crianças sem supervisão.
- As crianças não podem brincar com o aparelho.
- As crianças devem ser supervisionadas para garantir que não brincam com o aparelho.
- Guarde e utilize o aparelho fora do alcance de crianças com idade inferior a 8 anos.
- Não guarde as substâncias com risco de explosão, como p.ex. latas de spray com gás carburante inflamável, no aparelho.



PRECAUÇÃO!

- Separe o aparelho da rede
 - antes de cada limpeza e conservação
 - após cada utilização
- Os géneros alimentícios apenas podem ser armazenados nas embalagens originais ou recipientes adequados.



NOTA!

- Compare a indicação da tensão na placa de características com a alimentação de energia existente.

- Conecte o aparelho apenas do seguinte modo:
 - com o cabo de ligação DC à tomada de bordo DC (p. ex. isqueiro) no veículo.
 - ou com o cabo de ligação de AC à rede de corrente alternada
- Nunca retire a ficha da tomada eléctrica puxando pelo cabo de conexão.
- Se a geleira estiver ligada à tomada DC: Desconecte a sua geleira e outros consumidores da bateria antes de conectar um carregador rápido.
- Se a geleira estiver ligada à tomada DC: Separe a ligação ou desligue a geleira se desligar o motor. Caso contrário, a bateria pode ficar descarregada.
- A geleira não é adequada para o transporte de substâncias corrosivas ou substâncias com solventes.
- Este aparelho contém ciclopentano inflamável no isolamento. Os gases no material de isolamento requerem um processo de eliminação especial. No final da sua vida útil, entregue o aparelho num ponto de eliminação apropriado.

2.2 Segurança durante a utilização do aparelho



PRECAUÇÃO!

- Antes da colocação em funcionamento, tenha atenção para que o cabo de conexão e a ficha estejam secos.
- Não utilize extensões.



NOTA!

- Não utilize aparelhos eléctricos dentro da geleira, excepto se estes aparelhos tiverem sido recomendados pelo fabricante.
- Não coloque o aparelho na proximidade de chamas abertas ou outras fontes de calor (aquecimento, radiação solar intensa, fogões a gás, etc.).
- **Perigo de sobreaquecimento!**
Tenha sempre atenção para que o calor gerado durante o funcionamento possa ser dissipado adequadamente. Certifique-se de que o aparelho está posicionado com uma distância suficiente em relação a paredes ou objectos de modo a que o ar possa circular livremente.
- Tenha atenção para que as aberturas de ventilação não sejam cobertas.

- Não verta líquidos ou gelo para dentro do recipiente interior.
- Nunca mergulhe o aparelho em água.
- Proteja o aparelho e os cabos do calor e da humidade.

3 Material fornecido

fig. 1, página 3, mostra o material fornecido.

| Item | Quantidade | Designação |
|------|------------|--|
| 1 | 1 | Geleira com compressor |
| 2 | 1 | Cabo de conexão para corrente contínua |
| 3 | 1 | Cabo de conexão de corrente alternada |
| - | 1 | Manual de instruções |

4 Acessório

Disponível como acessório (não incluído no material fornecido):

| Designação | N.º art. |
|---|------------|
| Kit universal de fixação (sistema de cinto) CFX-UFK | 9108300002 |

Na página Internet da Dometic (ver verso) encontra informações sobre uma aplicação WLAN com funções de controlo, indicação e alarme. Possivelmente a aplicação não está disponível no seu país.

5 Utilização adequada

O aparelho de refrigeração é apropriado para refrigerar e congelar alimentos.

O aparelho de refrigeração também é adequado para a utilização em embarcações.

O aparelho de refrigeração foi concebido para funcionar numa tomada de corrente contínua de um veículo, (p.ex. o isqueiro), de uma embarcação ou de uma caravana, e igualmente com uma rede de corrente alternada.

A geleira foi concebida para a utilização doméstica e outras áreas de utilização semelhantes como por exemplo

- em copas de lojas, escritórios e outras áreas de trabalho

- na agricultura
- por hóspedes em hotéis, motéis ou outros alojamentos
- em pensões com pequeno-almoço
- no Catering e outras utilizações semelhantes no comércio grossista



PRECAUÇÃO! Risco para a saúde!

Por favor, verifique se a potência de refrigeração do aparelho de refrigeração cumpre os requisitos dos alimentos ou dos medicamentos que pretende refrigerar.

6 Descrição do funcionamento

O aparelho de refrigeração refrigera produtos, mantém-nos frios e pode inclusive congelá-los. A refrigeração é feita através de um circuito de refrigeração com compressor que não carece de manutenção. O isolamento extra-resistente e o eficiente compressor garantem uma refrigeração especialmente rápida.

O aparelho de refrigeração possui dois compartimentos separados que podem ser configurados de forma independente. O aparelho de refrigeração pode ser utilizado em todas as combinações:

| Compartimento grande | Compartimento pequeno |
|-------------------------------|-------------------------------|
| | |
| Compartimento de refrigeração | Congelador |
| Congelador | Compartimento de refrigeração |
| Compartimento de refrigeração | Compartimento de refrigeração |
| Congelador | Congelador |

(Para obter mais detalhes, ver capítulo “Regular a temperatura” na página 92)

O aparelho de refrigeração é adequado para a utilização móvel.

Na utilização em embarcações, o aparelho de refrigeração pode ser instalado com uma inclinação de 30°.



OBSERVAÇÃO

A superfície da caixa por baixo da vedação da tampa pode transmitir a sensação de quente ao toque. Isso é normal, visto que o aquecimento integrado evita a formação de condensação.

6.1 Âmbito de funções



- Fonte de alimentação com ligação prioritária à corrente alternada
- Monitorizador da bateria com três níveis para proteção da bateria do veículo
- Monitor com visualização da temperatura em °C e °F
desliga automaticamente em caso de uma tensão da bateria baixa
- Configurações independentes, controlos e indicações para cada compartimento
- Regulação da temperatura: Com dois botões em passos de 1 °C (e passos de 2 °F)
- Emissor WLAN integrado, com comando através da aplicação
- É sinalizada uma tampa aberta
- Conexão USB para a fonte de alimentação
- Interruptor de emergência
- Pegas articuladas
- Três cestos removíveis

6.2 Elementos de comando e de indicação

Bloqueios das tampas: fig. 2 1, página 3

Painel de controlo (fig. 3 1, página 3)

| Item | Designação | Explicação |
|------|------------|---|
| 1 | ON OFF | Liga ou desliga o aparelho de refrigeração quando o botão é pressionado durante um ou dois segundos |
| 2 | POWER "⏻" | Indicação de funcionamento |
| | | LED acende a verde: Compressor ligado |
| | | LED acende a laranja: Compressor desligado |
| | | LED pisca a laranja: O monitor foi desligado automaticamente porque a tensão da bateria está baixa |
| 3 | ERROR | LED pisca a vermelho: O aparelho de refrigeração está ligado mas não está em condições de funcionamento |

| Item | Designação | Explicação |
|------|---|---|
| 4 | SET | Seleciona o modo de introdução – Regulação da temperatura (compartimento de refrigeração grande/pequeno) – Indicação em graus centígrados ou graus Fahrenheit – Regular o monitorizador da bateria – Configurar a luminosidade do mostrador – Liga ou desliga a WLAN |
| 5 | Refrigeração – grande  | Indicação de estado do compartimento de refrigeração grande <hr/> LED acende a azul: O compartimento de refrigeração refrigera <hr/> LED não acende: O compartimento de refrigeração não refrigera |
| 6 | Indicação – grande | – Exibe informações sobre o compartimento de refrigeração grande – Exibe “OFF” quando o compartimento de refrigeração está desligado |
| 7 | Indicação – pequeno | – Exibe as informações sobre o compartimento de refrigeração pequeno – Exibe “OFF” quando o compartimento de refrigeração está desligado |
| 8 | Refrigeração – pequeno  | Indicação de estado do compartimento de refrigeração pequeno <hr/> LED acende a azul: O compartimento de refrigeração refrigera <hr/> LED não acende: O compartimento de refrigeração não refrigera |
| 9 | DOWN – | Ao tocar uma vez, o valor introduzido selecionado diminui |
| 10 | UP + | Ao tocar uma vez, o valor introduzido selecionado aumenta |

Tomadas de ligação, interruptor de emergência (caso existente) e conexão USB (fig. 4, página 4):

| Item | Designação |
|------|---|
| 1 | Tomada de corrente alternada |
| 2 | Porta-fusíveis |
| 3 | Interruptor de emergência |
| 4 | Conexão USB para a fonte de alimentação |
| 5 | Tomada de corrente contínua |

7 Operação

7.1 Antes da primeira utilização



OBSERVAÇÃO

Por motivos de higiene, antes de colocar o novo aparelho de refrigeração em funcionamento, deve limpar o seu interior e exterior com um pano húmido (ver também capítulo “Limpeza e manutenção” na página 99).

Inverter o encosto das tampas

É possível inverter o encosto das tampas se pretender abrir as tampas para o outro lado. Para esse efeito, proceda do seguinte modo:

- ▶ Abra as tampas e retire-as (fig. 5 A, página 4).
- ▶ Remova respetivamente três parafusos das dobradiças laterais (fig. 5 B, página 4) e retire as dobradiças.
- ▶ Remova as coberturas de plástico das posições das charneiras laterais novas com a ajuda de uma chave de parafusos e volte a colocá-las nas posições antigas das dobradiças.
- ▶ Coloque as dobradiças laterais nas novas posições.
- ▶ Remova duas coberturas de plástico da posição central da dobradiça (fig. 6 A, página 5).
- ▶ Remova os quatro parafusos da dobradiça central (fig. 6 B, página 5) e retire a dobradiça.

- Remova a cobertura de plástico da nova posição da dobradiça com a ajuda de uma pequena chave de parafusos e volte a colocá-la na posição antiga da dobradiça (fig. **6** C, página 5).
- Coloque a dobradiça central na nova posição.
- Coloque as tampas nas dobradiças do lado oposto (fig. **6** D, página 5).

Selecionar a unidade de temperatura

Poderá selecionar a indicação de temperatura entre os valores para graus centígrados e graus Fahrenheit. Para esse efeito, proceda do seguinte modo:

- Ligue o aparelho de refrigeração.
- Prima três vezes o botão “SET” (fig. **3** 4, página 3).
- Regule a unidade de temperatura para graus centígrados ou graus Fahrenheit com os botões “UP +” (fig. **3** 10, página 3) ou “DOWN –” (fig. **3** 9, página 3).
- ✓ Ambos os indicadores indicam, durante alguns segundos, a unidade de temperatura selecionada. Os indicadores piscam algumas vezes antes de voltarem a apresentar a temperatura atual.

7.2 Sugestões para poupar energia

- Escolha um local de utilização bem arejado e protegido de raios solares.
- Primeiro, deixe as refeições quentes arrefecer antes de as manter frescas.
- Não abra a geleira mais do que as vezes necessárias.
- Não deixe a geleira aberta mais tempo do que o necessário.
- Descongele o aparelho de refrigeração logo que se formar uma camada de gelo.
- Evite uma temperatura interna desnecessariamente baixa.

7.3 Ligar o aparelho de refrigeração

Ligar a uma bateria (carro ou embarcação)

O aparelho de refrigeração pode ser operado com corrente contínua.



NOTA! Perigo de danos!

Desligue o aparelho de refrigeração e outros consumidores da bateria do veículo antes de carregar a bateria do veículo com um carregador rápido.

As sobretensões podem danificar o sistema eletrônico dos aparelhos.

Para efeitos de segurança, o aparelho de refrigeração está equipado com uma proteção eletrônica contra a inversão da polaridade quando é ligado à corrente contínua e que também o protege contra curto-circuitos.

- ▶ Encaixe o cabo de conexão de corrente contínua (fig. **1** 2, página 3) na tomada de tensão contínua do aparelho de refrigeração e ligue-o à rede de corrente contínua.

Conectar a uma rede de corrente alternada (p.ex.em casa ou no escritório)



PERIGO! Perigo de morte devido a choque elétrico!

- Nunca manipule as fichas e os interruptores quando tiver as mãos molhadas ou quando tiver os pés em pavimento molhado.
- Se estiver a utilizar o aparelho de refrigeração a bordo de uma embarcação com ligação a uma rede de corrente alternada em terra firme, deverá sempre instalar um interruptor de segurança de corrente residual entre a rede de corrente alternada e o aparelho de refrigeração.
Solicite o parecer de um técnico.

Os aparelhos de refrigeração têm integrada uma fonte de alimentação paramúltiplas tensões com ligação prioritária para a ligação a uma corrente alternada. Graças à ligação prioritária, é realizada automaticamente a comutação para o funcionamento com rede elétrica quando o aparelho de refrigeração estiver ligado a uma rede de corrente alterada e mesmo se o cabo de conexão de corrente contínua ainda estiver conectado.

- ▶ Encaixe o cabo de conexão de corrente contínua (fig. **1** 3, página 3) na tomada de corrente alternada do aparelho e ligue-o à rede de corrente contínua.

7.4 Utilizar o monitorizador da bateria

O aparelho de refrigeração está equipado com um monitorizador da bateria que protege a bateria do veículo contra uma descarga demasiado profunda.

Se o aparelho de refrigeração for operado com a ignição do veículo desligada, o aparelho de refrigeração desliga-se automaticamente logo que a tensão de alimentação descer abaixo de um valor regulado. O aparelho de refrigeração liga-se novamente assim que a tensão de reativação for alcançada através do carregamento da bateria.



NOTA! Perigo de danos!

Quando a bateria é desligada através do monitorizador da bateria deixa de dispor da sua capacidade de carga completa. Evite arranques contínuos ou colocar em funcionamento outros consumidores de corrente sem ter carregado bem a bateria. Tenha atenção para que a bateria seja recarregada.

No modo "HIGH", o monitorizador da bateria é mais rapidamente ativado do que nos níveis "LOW" e "MED" (ver seguinte tabela).

| Modo do monitorizador da bateria | LOW | MED | HIGH |
|----------------------------------|--------|--------|--------|
| Tensão de desconexão a 12 V | 10,1 V | 11,4 V | 11,8 V |
| Tensão de reconexão a 12 V | 11,1 V | 12,2 V | 12,6 V |
| Tensão de desligamento a 24 V | 21,5 V | 24,1 V | 24,6 V |
| Tensão de reconexão a 24 V | 23,0 V | 25,3 V | 26,2 V |

Para alterar o modo do monitorizador da bateria, proceda do seguinte modo:

- ▶ Ligue o aparelho de refrigeração.
- ▶ Prima quatro vezes o botão "SET" (fig. 3 4, página 3).
- ▶ Regule com os botões "UP +" (fig. 3 10, página 3) ou "DOWN -" (fig. 3 9, página 3), o modo do monitorizador da bateria.
- ✓ No monitor digital é exibida a seguinte informação:
Lo (LOW), Πd (MED), HI (HIGH)
- ✓ O indicador exhibe, durante alguns segundos, o modo regulado. O indicador pisca algumas vezes antes de voltar a apresentar a temperatura atual.

**OBSERVAÇÃO**

Quando o aparelho de refrigeração for alimentado pela bateria de arranque, selecione o modo do monitorizador da bateria "HIGH". Quando o aparelho de refrigeração estiver conectado a uma bateria de alimentação, é suficiente o modo do monitorizador da bateria "LOW".

7.5 Utilizar a geleira

**NOTA! Perigo de sobreaquecimento!**

Tenha sempre atenção para que o calor gerado durante o funcionamento seja dissipado adequadamente. Tenha atenção para que as aberturas de ventilação não sejam cobertas. Certifique-se de que o aparelho de refrigeração está posicionado a uma distância suficiente de paredes ou objetos de modo a que o ar possa circular livremente.

- ▶ Pouse o aparelho de refrigeração sobre uma superfície estável. Tenha atenção para que as aberturas de ventilação não sejam cobertas e o ar aquecido possa sair adequadamente.

**OBSERVAÇÃO**

Coloque o aparelho de refrigeração como ilustrado na (fig. **1**, página 3). Se colocar o aparelho de refrigeração em funcionamento noutra posição, pode danificar o mesmo.

- ▶ Ligue o aparelho de refrigeração, ver capítulo "Ligar o aparelho de refrigeração" na página 89.


**NOTA! Perigo devido a temperatura demasiado baixa!**

Certifique-se de que no aparelho de refrigeração apenas se encontram objetos ou produtos que possam ser refrigerados à temperatura selecionada.

- ▶ Mantenha o botão "ON/OFF" (fig. **3** 1, página 3) premido durante um a dois segundos.
- ✓ O LED "⏻" acende (fig. **3** 2, página 3).
- ✓ Os indicadores (fig. **3** 6 e 7, página 3) ligam-se e indicam a temperatura de refrigeração atual.
- ✓ Em função da temperatura do compartimento de refrigeração regulada, o aparelho de refrigeração inicia com a refrigeração de um ou dois compartimentos de refrigeração.

- ✓ Os LED (fig. **3** 5 e 8, página 3) acendem-se quando o respetivo compartimento de refrigeração está a refrigerar.

**OBSERVAÇÃO**

No funcionamento com uma bateria do veículo, o monitor desliga automaticamente quando a tensão da bateria é demasiado baixa. O LED “” pisca a laranja.

Prender a geleira

- Feche as tampas.
- Pressione os bloqueios (fig. **2** 1, página 3) para baixo até os mesmos encaixarem de forma audível.

**OBSERVAÇÃO– Alarme “Tampa aberta”**

Quando uma tampa for deixada aberta durante mais de três minutos e o aparelho estiver ligado, pisca a luz interior correspondente até a tampa voltar a ser fechada.

7.6 Regular a temperatura

- Prima o botão “SET” (fig. **3** 4, página 3):
 - uma vez para o compartimento de refrigeração grande
 - duas vezes para o compartimento de refrigeração pequeno
- ✓ A indicação do respetivo compartimento de refrigeração pisca.
- Regule a temperatura de refrigeração com os botões “UP +” (fig. **3** 10, página 3) e “DOWN –” (fig. **3** 9, página 3). Poderá regular a temperatura de tal forma que cada compartimento trabalhe como compartimento de refrigeração ou congelador.
- ✓ O indicador exhibe, durante alguns segundos, a temperatura de refrigeração pretendida que foi regulada. O indicador pisca algumas vezes antes de voltar a apresentar a temperatura atual.

**OBSERVAÇÃO**

Regular a temperatura de cada compartimento de regulação para $-22\text{ }^{\circ}\text{C}$. No entanto, o fabricante recomenda uma temperatura de $-15\text{ }^{\circ}\text{C}$ a $-18\text{ }^{\circ}\text{C}$ para o modo normal e um consumo de energia ótimo.

7.7 Desligar ou ligar um compartimento de refrigeração

Caso seja apenas necessário um único compartimento de refrigeração, o outro compartimento de refrigeração pode ser desligado para economizar energia.

Desligar o compartimento de refrigeração

Se o indicador do compartimento de refrigeração apresentar uma temperatura, poderá desligar o compartimento de refrigeração da seguinte forma:

- ▶ Prima o botão “SET” (fig. **3** 4, página 3):
 - uma vez para o compartimento de refrigeração grande
 - duas vezes para o compartimento de refrigeração pequeno
- ✓ A indicação do respetivo compartimento de refrigeração pisca.
- ▶ Prima o botão “ON/OFF” (fig. **3** 1, página 3).
- ✓ O indicador do respetivo compartimento de refrigeração exibe, durante cinco segundos, a indicação “OFF”, a piscar, seguido de “OFF”.

Ligar o compartimento de refrigeração

Se o monitor do compartimento de refrigeração apresentar “OFF”, poderá ligar o compartimento de refrigeração da seguinte forma:

- ▶ Prima o botão “SET” (fig. **3** 4, página 3):
 - uma vez para o compartimento de refrigeração grande
 - duas vezes para o compartimento de refrigeração pequeno
- ✓ A indicação do respetivo compartimento de refrigeração pisca.
- ▶ Prima o botão “ON/OFF” (fig. **3** 1, página 3).
- ✓ O indicador exibe, durante alguns segundos, a temperatura de refrigeração pretendida que foi regulada. O indicador pisca algumas vezes antes de alternar para a representação da temperatura atual.

7.8 Ativar o sinal WLAN para a aplicação opcional

O aparelho de refrigeração pode ser comandado via WLAN com uma aplicação que pode ser instalada num aparelho compatível. A aplicação está equipada com funções de controlo, indicação e alarme.

Encontra informações mais pormenorizadas na página web da Dometic do seu país (ver verso). Lembre-se de que a aplicação poderá não estar disponível no seu país.

O nome WLAN da geleira com compressor inicia com "CFX". A palavra-passe predefinida é "00000000". O nome da WLAN e a palavra-passe podem ser modificados individualmente.

Ligar/desligar o sinal WLAN

- ▶ Prima seis vezes o botão "SET" (fig. **3** 4, página 3).
- ▶ Ligue ou desligue o sinal WLAN com os botões "UP +" (fig. **3** 10, página 3) ou "DOWN -" (fig. **3** 9, página 3).
- ✓ O indicador indica, durante alguns segundos, o ajuste pretendido. O indicador pisca algumas vezes antes de voltar a apresentar a temperatura atual.



OBSERVAÇÃO

- O emissor WLAN está desligado na definição de fábrica. Para poder utilizar a aplicação é necessário ligar o emissor WLAN durante a primeira colocação em funcionamento e após cada interrupção de corrente.
- O emissor WLAN utiliza uma pequena quantidade de corrente elétrica. Para alcançar uma capacidade energética ótima, desligue o emissor WLAN se o mesmo não for utilizado.

Repor a WLAN para as configurações de fábrica

Se tiver personalizado as regulações WLAN do aparelho de refrigeração através da aplicação WLAN e se tiver esquecido da sua palavra-passe, poderá repor o aparelho de refrigeração para as definições de fábrica da seguinte forma:

- ▶ Prima seis vezes o botão “SET” (fig. **3** 4, página 3).
- ▶ Mantenha o botão “UP +” (fig. **3** 10, página 3) premido durante, pelo menos, cinco segundos.
- ✓ Nos monitores pisca algumas vezes “rES” antes dos mesmos serem repostos para a representação anterior.
- ✓ As regulações WLAN foram repostas para a definição de fábrica.

Para obter mais informações, visite a página web da Dometic da qual descarregou a aplicação.

7.9 Configurar a luminosidade do mostrador

Num ambiente escuro, a luminosidade do mostrador pode ser alterada. Para ajustar a luminosidade do mostrador, proceda do seguinte modo:

- ▶ Ligue a geleira.
- ▶ Prima quatro vezes o botão “SET” (fig. **3** 4, página 3).
- ▶ Regule a luminosidade do mostrador com os botões “UP +” (fig. **3** 7, página 3) ou “DOWN –” (fig. **3** 6, página 3).
- ✓ No mostrador é exibida a seguinte informação:
d0 (predefinição), d1 (luminosidade média), d2 (escuro)
- ✓ O mostrador indica, durante alguns segundos, o modo ajustado. O mostrador pisca algumas vezes antes de voltar a apresentar a luminosidade atual.



OBSERVAÇÃO

- O ajuste de fábrica da luminosidade do mostrador é d0 (predefinição).
- Se ocorrer uma falha, a luminosidade é automaticamente ajustada para d0 (predefinição). Após a eliminação da falha, a luminosidade ajustada é novamente ativada.

7.10 Utilizar o interruptor de emergência

O interruptor de emergência (fig. **4** 3, página 4) encontra-se por baixo do painel de comando. Para o funcionamento normal, o interruptor encontra-se em "NORMAL USE" (utilização normal).

- ▶ Se ocorrer uma falha da eletrónica de comando, faça deslizar o interruptor até "EMERGENCY OVERRIDE" (acionamento de emergência).



OBSERVAÇÃO

Quando o interruptor se encontrar em "EMERGENCY OVERRIDE", o sistema de refrigeração trabalha com a total potência de refrigeração. Em função do modo de operação dos diversos compartimentos, no momento da comutação, o sistema utiliza um ou ambos os compartimentos como um congelador e/ou desliga um dos compartimentos.

7.11 Conexão USB para a alimentação de tensão

Poderá utilizar a conexão USB para carregar peças de pequenas dimensões (p.ex. telemóveis e leitores MP3).

Se pretender utilizar a sua geleira com um dispositivo USB, conete simplesmente um cabo USB (não incluído no material fornecido) ao dispositivo.



OBSERVAÇÃO

Certifique-se de que o aparelho de pequenas dimensões conectado à conexão USB é adequado para o funcionamento com 5 V/500 mA.

7.12 Desligar a geleira

- ▶ Esvazie o aparelho de refrigeração.
- ▶ Desligue o aparelho de refrigeração.
- ▶ Retire o cabo de conexão da tomada.

Se não pretender utilizar o aparelho de refrigeração durante um período de tempo mais prolongado:

- ▶ Deixe as tampas ligeiramente abertas. Deste modo, evita a formação de odores.

7.13 Descongelar a geleira

A humidade do ar pode formar gelo nos vaporizadores ou no interior do aparelho de refrigeração, o que reduz a capacidade de arrefecimento. Descongele o aparelho de refrigeração atempadamente.



NOTA! Perigo de danos!

Nunca utilize ferramentas duras ou pontiagudas para retirar as camadas de gelo ou para libertar objetos congelados.

Proceda do seguinte modo para descongelar o aparelho de refrigeração:

- ▶ Retire os produtos congelados.
- ▶ Se necessário, guarde-os num outro aparelho de refrigeração para que permaneçam frios.
- ▶ Desligue o aparelho de refrigeração.
- ▶ Deixe as tampas abertas.
- ▶ Limpe a água de degelo.

7.14 Substituir o fusível do aparelho



PERIGO! Perigo de morte devido a choque elétrico!

Separe a fonte de alimentação e substitua o cabo de conexão antes de substituir o fusível do aparelho.

- Separe a fonte de alimentação até ao aparelho.
- Retire os cabos de conexão das tomadas.
- Retire o encaixe do fusível (fig. **4** 2, página 4) p.ex. com uma chave de parafusos.
- Substitua o fusível queimado com defeito por um novo fusível em vidro com as mesmas características (4 A, 250 V).
- Volte a pressionar o encaixe do fusível para dentro da caixa.
- Conete a fonte de alimentação até ao aparelho de refrigeração.

7.15 Substituir o fusível da ficha (corrente contínua)

- Desaparafuse a caixa do pino de contacto (fig. **7** 3, página 5) da ficha (fig. **7** 1, página 5).
- Substitua o fusível queimado (fig. **7** 2, página 5) por um fusível novo com as mesmas características (3AG, 15 A).
- Volte a montar a ficha na sequência inversa.

7.16 Substituir a placa do circuito de luz

- Desligue a alimentação de tensão até ao aparelho de refrigeração.
- Abra a cobertura transparente com a ajuda de uma chave de parafusos (fig. **8** A, página 5).
- Solte os parafusos de montagem da placa de circuitos (fig. **8** B, página 5).
- Retire a ficha da placa de circuitos (fig. **8** C, página 5).
- Substitua a placa do circuito de luz danificada por uma nova.
- Aplique uma nova placa de circuitos, executando, em sequência inversa, os passos descritos na instrução para a remoção da placa de circuitos.
- Volte a colocar a cobertura transparente na caixa.
- Conete a fonte de alimentação até ao aparelho de refrigeração.

8 Limpeza e manutenção



AVISO!

Antes de cada limpeza e conservação, separe o aparelho da rede.



NOTA! Perigo de danos!

- Nunca limpe a geleira debaixo de água corrente nem dentro de água de lavar a loiça.
- Não utilize produtos de limpeza abrasivos ou objectos duros para a limpeza, uma vez que podem danificar a geleira.

- De vez em quando, limpe o interior e o exterior do aparelho com um pano húmido.
- Certifique-se que as aberturas de ventilação e extracção de ar do aparelho estão livres de pó e sujidade para que, durante o funcionamento, o ar quente possa ser extraído e o aparelho não seja danificado.

9 Resolução de falhas

| Falha | Possível causa | Sugestão de resolução |
|--|--|--|
| O aparelho de refrigeração não funciona, o LED não acende. | A tomada de corrente contínua existente no veículo não tem corrente. | Na maioria dos veículos, a ignição tem de estar ligada para que a tomada de corrente contínua tenha tensão elétrica. |
| | A tomada de corrente alternada não conduz corrente elétrica. | Tente novamente noutra tomada. |
| | O fusível do aparelho está queimado. | Substitua o fusível do aparelho, ver capítulo "Substituir o fusível do aparelho" na página 98. |
| | A fonte de alimentação integrada está avariada. | A reparação apenas pode ser realizada por um serviço de assistência técnica autorizado. |

| Falha | Possível causa | Sugestão de resolução |
|--|---|--|
| O aparelho de refrigeração não refrigera (ficha inserida na tomada, LED "POWER" acende). | Compressor avariado. | A reparação apenas pode ser realizada por um serviço de assistência técnica autorizado. |
| O aparelho de refrigeração não refrigera (ficha inserida na tomada, LED "POWER" pisca a laranja, monitor desligado). | Tensão da bateria insuficiente. | Eventualmente, carregue a bateria. |
| | Modo do monitorizador da bateria demasiado alto | Regule o monitorizador da bateria para um modo mais baixo. |
| No funcionamento na tomada de corrente contínua: a ignição está ligada, o aparelho não funciona e o LED não acende. Retire a ficha da tomada e realize as seguintes verificações. | O casquilho da tomada de corrente contínua está sujo. Isto resulta num mau contacto elétrico. | Quando a ficha ficar muito quente na tomada de corrente contínua, é necessário limpar o casquilho ou é possível que a ficha não esteja montada corretamente. |
| | O fusível da ficha de corrente contínua está queimado. | Substitua o fusível (15 A) da ficha de corrente elétrica, ver capítulo "Substituir o fusível da ficha (corrente contínua)" na página 98 |
| | O fusível do veículo está queimado. | Substitua o fusível do veículo da tomada de corrente contínua (normalmente 15 A) (para isso, consulte o manual de instruções do seu automóvel). |
| O monitor indica uma mensagem de erro (p.ex. "Err1") e o aparelho de refrigeração não refrigera. | Uma falha de funcionamento interna desligou o aparelho de refrigeração. | A reparação apenas pode ser realizada por um serviço de assistência técnica autorizado. |
| A iluminação interior de um compartimento pisca. | A tampa do compartimento foi deixada aberta durante mais de três minutos. | Feche a tampa do compartimento. |

10 Garantia

É válido o prazo de garantia legal. Se o produto estiver com defeito, por favor, dirija-se à representação do fabricante no seu país (endereços, ver verso do manual) ou ao seu revendedor.

Para fins de reparação ou de garantia, terá de enviar os seguintes documentos em conjunto:

- uma cópia da factura com a data de aquisição,
- um motivo de reclamação ou uma descrição da falha.

11 Eliminação

- Sempre que possível, coloque o material de embalagem no respectivo contentor de reciclagem.



Para colocar o aparelho definitivamente fora de funcionamento, por favor, informe-se junto do centro de reciclagem mais próximo ou revendedor sobre as disposições de eliminação aplicáveis.

12 Dados técnicos

| | CFX75DZW | CFX95DZW |
|--|---|--|
| N.º art.: | 9600001411 | 9105306639 |
| Tensão de conexão: | 12/24 V $\overline{\text{---}}$ and 120 V \sim | |
| Corrente nominal: | 12 V $\overline{\text{---}}$: 7,9 A 24 V $\overline{\text{---}}$: 3,6 A 120 V \sim : 0,74 A | 12 V $\overline{\text{---}}$: 7,5 A 24 V $\overline{\text{---}}$: 3,6 A 120 V \sim : 0,9 A |
| Potência de refrigeração: | +10 °C to -22 °C (+50 °F to -8 °F) | |
| Categoria: | 1 | |
| Classe de eficiência energética: | A+ | |
| Consumo de energia: | 105 kWh/annum | 109 kWh/annum |
| Volume bruto: | | |
| Compartimento de refrigeração grande: | 45 l | 54 l |
| Compartimento de refrigeração pequeno: | 30 l | 40,5 l |
| Volume útil: | | |
| Compartimento de refrigeração grande: | 43 l | 50,5 l |
| Compartimento de refrigeração pequeno: | 27 l | 34,5 l |
| Classe climática: | N, T | |
| Temperatura ambiente: | +16 °C to +43 °C (+61 °F to +109 °F) | |
| Emissões acústicas: | 37 dB(A) | |
| Ligação USB: | 5 V $\overline{\text{---}}$, 500 mA | |
| Agente de refrigeração: | R134a | |
| Quantidade de agente de refrigeração: | 57 g/2,0 oz | 65 g/2,3 oz |
| Equivalente a CO ₂ : | 0,082 t/180,78 lbs | 0,093 t/205,03 lbs |
| Potencial de aquecimento global (GWP): | 1430 | |
| Dimensões (L x A x P) em mm | | |
| Com pegas: | 887 x 472 x 495 (34,9" x 18,6" x 19,5") | 957 x 472 x 530 (37,7" x 18,6" x 20,9") |
| Sem pegas: | 832 x 472 x 495 (32,8" x 18,6" x 19,5") | 900 x 472 x 530 (35,4" x 18,6" x 20,9") |
| Peso: | 31 kg/68,3 lbs | 32 kg/70,6 lbs |

**OBSERVAÇÃO**

A partir de temperaturas ambiente acima de +32 °C (+90 °F), a temperatura mínima já não pode ser alcançada.

Contém gases fluorados com efeito de estufa

Equipamento hermeticamente fechado

Verificação/Certificados:

Este aparelho está em conformidade com a Parte 15 das Normas da FCC (Comissão Federal de Comunicações). O funcionamento está sujeito às duas condições seguintes:

- (1) este aparelho não pode provocar interferências prejudiciais; e
- (2) este aparelho tem que aceitar todas as interferências recebidas, incluindo interferências que possam resultar num funcionamento indesejado.

Alterações ou modificações que não sejam expressamente aprovadas pela entidade responsável pela conformidade poderão invalidar a autoridade do utilizador no que se refere a operar o equipamento. Este equipamento foi testado e ficou estabelecido que respeita os limites relativos a aparelhos digitais de Classe B de acordo com o disposto na Parte 15 das Normas da FCC. Estes limites foram criados para fornecer uma proteção razoável contra interferências prejudiciais em montagens residenciais. Este equipamento gera, usa e consegue emitir energia de radiofrequência e, caso não seja instalado e usado de acordo com as instruções, pode provocar interferências prejudiciais a comunicações por rádio. No entanto, não existe qualquer garantia de que não ocorrerão interferências em montagens específicas. Se este equipamento provocar interferências prejudiciais à receção de radiocomunicações ou de sinais de televisão, o que poderá ser determinado ligando e desligando o equipamento, o utilizador é encorajado a tentar corrigir a interferência recorrendo a uma ou mais das seguintes medidas:

- Reorientar ou mudar a antena recetora de sítio.
- Aumentar a distância entre o equipamento e o recetor.
- Ligar o equipamento a uma tomada cujo circuito não seja o mesmo ao qual o recetor está ligado.
- Consultar o revendedor ou um técnico especializado em equipamento de rádio/TV para obter ajuda.

GERMANY**Dometic WAECO International GmbH**

Hollefeldstraße 63 · D-48282 Emsdetten
 ☎ +49 (0) 2572 879-195 · 📠 +49 (0) 2572 879-322
 Mail: info@dometic-waeco.de

dometic.com**AUSTRALIA****Dometic Australia Pty. Ltd.**

1 John Duncan Court
 Varsity Lakes QLD 4227
 ☎ 1800 212121
 📠 +61 7 55076001
 Mail: sales@dometic.com.au

AUSTRIA**Dometic Austria GmbH**

Neudorferstraße 108
 A-2353 Guntramsdorf
 ☎ +43 2236 908070
 📠 +43 2236 90807060
 Mail: info@dometic.at

BENELUX**Dometic Branch Office Belgium**

Zincstraat 3
 B-1500 Halle
 ☎ +32 2 3598040
 📠 +32 2 3598050
 Mail: info@dometic.be

BRAZIL**Dometic DO Brasil LTDA**

Avenida Paulista 1754, conj. 111
 SP 01310-920 Sao Paulo
 ☎ +55 11 3251 3352
 📠 +55 11 3251 3362
 Mail: info@dometic.com.br

DENMARK**Dometic Denmark A/S**

Nordensvej 15, Taulov
 DK-7000 Fredericia
 ☎ +45 75585966
 📠 +45 75586307
 Mail: info@dometic.dk

FINLAND**Dometic Finland OY**

Mestariitie 4
 FIN-01730 Vantaa
 ☎ +358 20 7413220
 📠 +358 9 7593700
 Mail: info@dometic.fi

FRANCE**Dometic SAS**

ZA du Pré de la Dame Jeanne
 B.P. 5
 F-60128 Pleilly
 ☎ +33 3 44633525
 📠 +33 3 44633518
 Mail: vehiculesdeloisirs@dometic.fr

HONG KONG**Dometic Group Asia Pacific**

Suites 2207-11 / 22/F - Tower 1
 The Gateway - 25 Canton Road,
 Tsim Sha Tsui - Kowloon
 ☎ +852 2 4611386
 📠 +852 2 4665553
 Mail: info@waeco.com.hk

HUNGARY**Dometic Zrt. Sales Office**

Kerekgyártó u. 5.
 H-1147 Budapest
 ☎ +36 1 468 4400
 📠 +36 1 468 4401
 Mail: budapest@dometic.hu

ITALY**Dometic Italy S.r.l.**

Via Virgilio, 3
 I-47122 Forlì (FC)
 ☎ +39 0543 754901
 📠 +39 0543 754983
 Mail: vendite@dometic.it

JAPAN**Dometic KK**

Maekawa-Shibaura, Bldg. 2
 2-13-9 Shibaura Minato-ku
 Tokyo 108-0023
 ☎ +81 3 5445 3333
 📠 +81 3 5445 3339
 Mail: info@dometic.jp

MEXICO**Dometic Mx, S. de R. L. de C. V.**

Circuito Médicos No. 6 Local 1
 Colonia Ciudad Satélite
 CP 53100 Naucalpan de Juárez
 Estado de México
 ☎ +52 55 5374 4108
 📠 +52 55 5393 4683
 Mail: info@dometic.com.mx

NETHERLANDS**Dometic Benelux B.V.**

Ecustraet 3
 NL-4879 NP Etten-Leur
 ☎ +31 76 5029000
 📠 +31 76 5029019
 Mail: info@dometic.nl

NEW ZEALAND**Dometic New Zealand Ltd.**

PO Box 12011
 Penrose
 Auckland 1642
 ☎ +64 9 622 1490
 📠 +64 9 622 1573
 Mail: customerservices@dometic.co.nz

NORWAY**Dometic Norway AS**

Østerøyveien 46
 N-3232 Sandefjord
 ☎ +47 33428450
 📠 +47 33428459
 Mail: firmapost@dometic.no

POLAND**Dometic Poland Sp. z o.o.**

Ul. Puławska 435A
 PL-02-801 Warszawa
 ☎ +48 22 414 3200
 📠 +48 22 414 3201
 Mail: info@dometic.pl

PORTUGAL**Dometic Spain, S.L.**

Branch Office em Portugal
 Rot. de São Gonçalo nº 1 – Esc. 12
 2775-399 Carcavelos
 ☎ +351 219 244 173
 📠 +351 219 243 206
 Mail: info@dometic.pt

RUSSIA**Dometic RUS LLC**

Komsomolskaya square 6-1
 RU-107140 Moscow
 ☎ +7 495 780 79 39
 📠 +7 495 916 56 53
 Mail: info@dometic.ru

SINGAPORE**Dometic Pte Ltd**

18 Boon Lay Way 06-140 Trade Hub 21
 Singapore 609966
 ☎ +65 6795 3177
 📠 +65 6862 6620
 Mail: dometic@dometic.com.sg

SLOVAKIA**Dometic Slovakia s.r.o. Sales Office Bratislava**

Nádražná 34/A
 900 28 Ivanka pri Dunaji
 ☎/📠 +421 2 45 529 680
 Mail: bratislava@dometic.com

SOUTH AFRICA**Dometic (Pty) Ltd.****Regional Office****South Africa & Sub-Saharan Africa**

2 Avalon Road
 West Lake View Ext 11
 Modderfontein 1645
 Johannesburg
 ☎ +27 11 4504978
 📠 +27 11 4504976
 Mail: info@dometic.co.za

SPAIN**Dometic Spain S.L.**

Avda. Sierra del Guadarrama, 16
 E-28691 Villanueva de la Cañada
 Madrid
 ☎ +34 91 833 60 89
 📠 +34 900 100 245
 Mail: info@dometic.es

SWEDEN**Dometic Scandinavia AB**

Gustaf Melins gata 7
 S-42131 Västra Frölunda
 ☎ +46 31 7341100
 📠 +46 31 7341101
 Mail: info@dometicgroup.se

SWITZERLAND**Dometic Switzerland AG**

Riedackerstrasse 7a
 CH-8153 Rümlang
 ☎ +41 44 8187171
 📠 +41 44 8187191
 Mail: info@dometic.ch

UNITED ARAB EMIRATES**Dometic Middle East FZCO**

P. O. Box 17860
 S-D 6, Jebel Ali Freezone
 Dubai
 ☎ +971 4 883 3858
 📠 +971 4 883 3868
 Mail: info@dometic.ae

UNITED KINGDOM**Dometic UK Ltd.**

Dometic House, The Brewery
 Blandford St. Mary
 Dorset DT11 9LS
 ☎ +44 344 626 0133
 📠 +44 344 626 0143
 Mail: customerservices@dometic.co.uk

USA**Dometic RV Division**

1120 North Main Street
 Elkhart, IN 46515
 ☎ +1 574-264-2131