



Installation Instructions

Fridge slide CFX-SLD3540

Suits: CFX-35, CFX-40 (Also suits CF-35, CF-40, CF-50, CF-50DZ and CF-60)

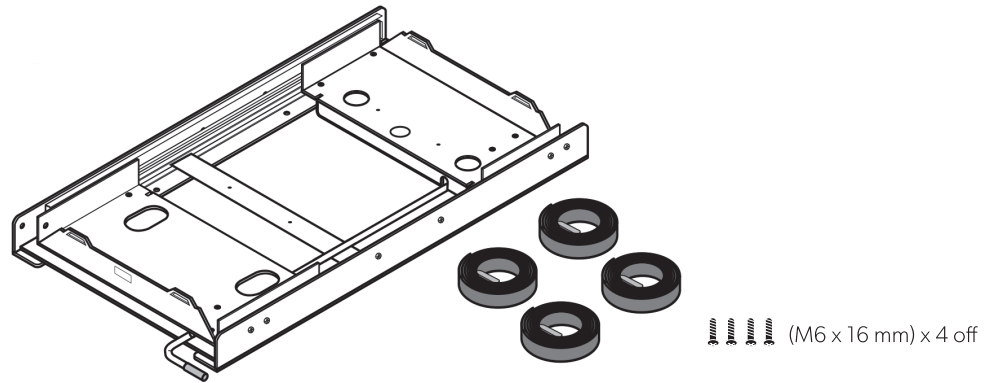
Fridge slide CFX-SLD5065

Suits: CFX-50, CFX-65 & CFX-65DZ



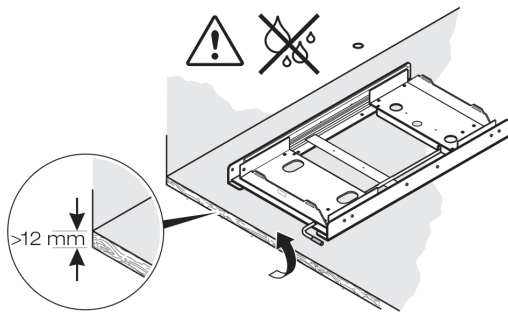
1 John Duncan Crt Varsity Lakes, Queensland, Australia, 4227 | Phone: 1800 21 21 21

1

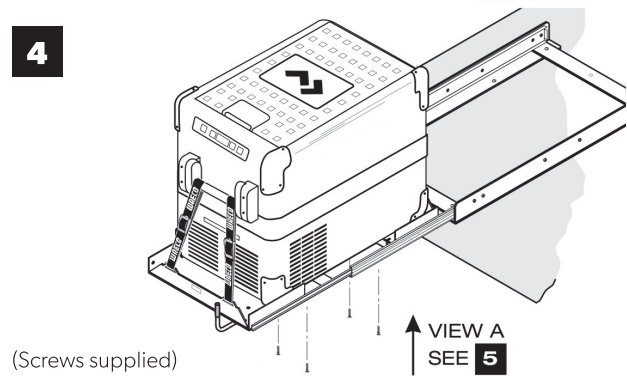


* Warranty does not include damage caused by misuse, or as a result of exceeding the 100 kg limit. Slide must be installed on a flat even surface and not outdoors exposed to the elements.

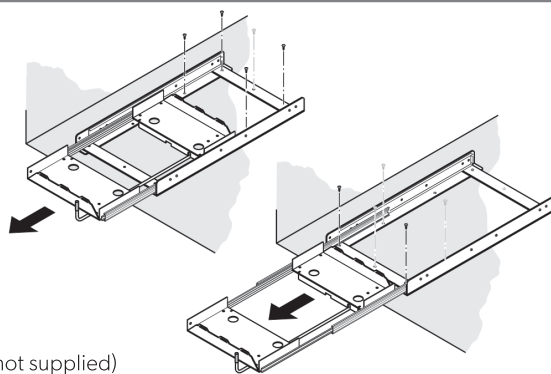
1



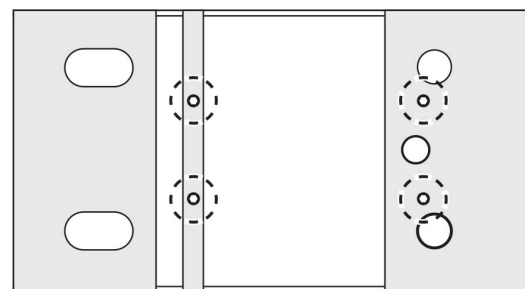
4



2

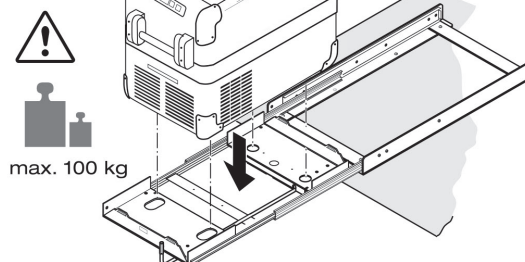


5



Fit screws supplied for semi-permanent installation. (CFX models only)

3



6

