

PCAM-10FF-N

## Introduction

Thank you for purchasing your EchoMaster Pro automotive camera.

This manual covers the following part numbers:

► **PCAM-10FF-N**

EchoMaster Pro cameras are designed to improve safety during driving by providing high quality images of surrounding areas and obstacles in the vicinity of the vehicle. They will also improve vehicle maneuvering capability by displaying blind spots not normally visible to the driver.

Please ensure you read and understand all aspects of this manual before fitting or using your EchoMaster Pro Camera. Choose a suitable mounting place dependent on the application. Ensure that there are no wiring harnesses or hoses/pipes located behind this panel before drilling.

## Key Features

- 1/4" CMOS Sensor
- Operates at 0.5 LUX
- 7 IR LEDs
- IP67 Rated
- 170 Degree Viewing Angle
- Selectable Image (mirrored/non-mirrored)
- Parking Lines (Selectable)

## Front Facing Camera User Manual



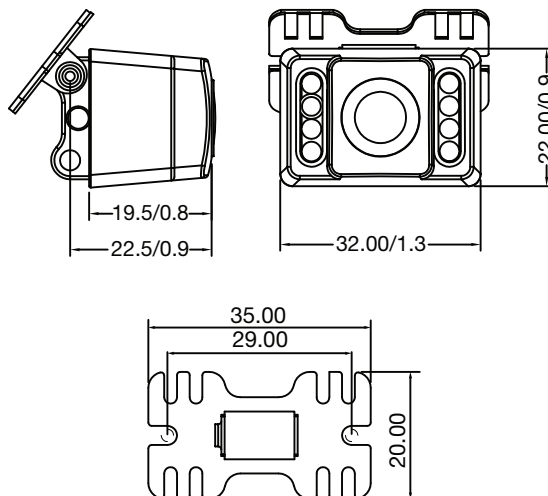
## Specifications

	PCAM-10FF-N
<b>Sensor Type</b>	1/4" CMOS
<b>LEDs</b>	7
<b>Illumination</b>	0 LUX
<b>Viewing Angle</b>	170 degrees
<b>Mirror Image</b>	YES
<b>Normal View</b>	YES
<b>Water/Debris-Proof</b>	IP67
<b>Audio</b>	NO
<b>Power Supply</b>	9-16V DC
<b>Current</b>	<150mA
<b>Working Temperature</b>	-30°C - +70°C
<b>Dimensions (mm)</b>	D 22.5 (0.9) x W 32 (1.3) x H 22 (0.9)
<b>System</b>	NTSC
<b>TV Lines</b>	420
<b>Resolution</b>	648 x 488

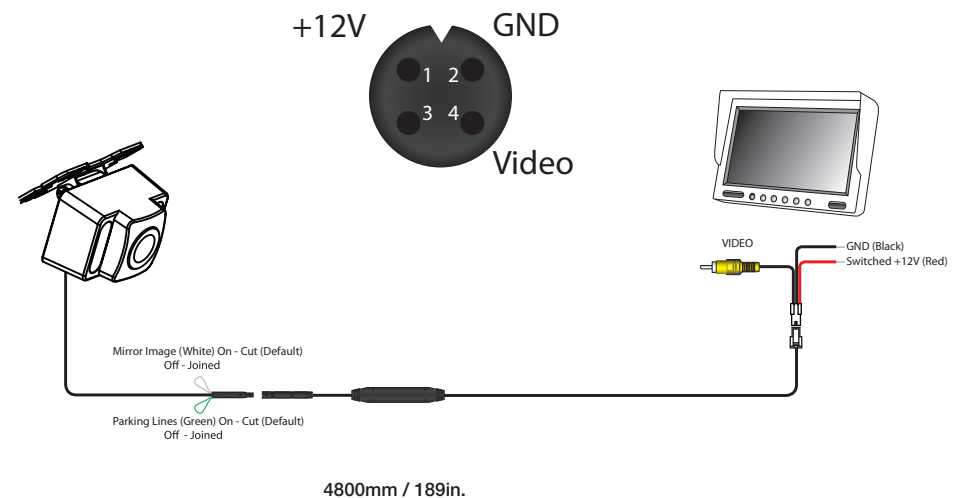
## Box Contents

- Camera
- Mounting Bracket
- Wiring Harness
- Manual

## Dimensions (mm/in)



## Wiring Diagram & Pin Out



EchoMaster.com  
 EchoMaster is a Power Brand of AAMP Global  
 GU35 9QE, United Kingdom  
 Woolmer Way, Bordon, Hampshire,  
 Clearwater, Florida 33760  
 15600 Lightwave Drive, Suite 202  
 email - support@aampglobal.com (US)  
 email - technical.eu@aampglobal.com (Europe)

