

Spring Main Eye and Shackle bushing Installation Instructions

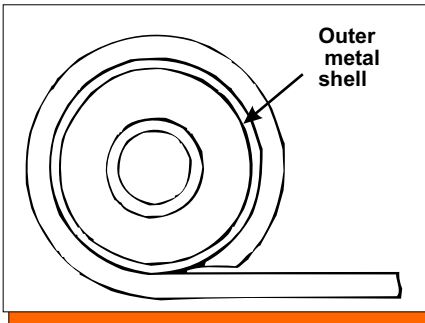
© 2002 Energy Suspension. All rights reserved.
May not be reproduced, in any form, or by any means,
without the written consent of Energy Suspension.



1131 VIA CALLEJON, SAN CLEMENTE, CA 92673

Updated 19/DEC/01 BRH

17040



Note: When a sleeve is not used, apply a light coat of grease to the original shoulder bolt.

Remember: Most spring eyes have an outer metal shell. Some shackles are this way as well. The outer shell must be removed.

When installing Urethane bushings, apply grease as instructed: Remove the original rubber and outer shell (when used) clean I.D. of the spring eyes and frame brackets of any old rubber or rust with sand paper. Apply a light coat of grease to the eyes of both spring and frame brackets. Apply a light coat to the I.D., O.D. and flange of the bushings. (all surfaces that contact metal) Apply a light coat of grease to the O.D. of the sleeves.)