

# ESCORT®

Drive Smarter | **MAX 3**

Owners Manual



Advanced ESCORT Range



Real-Time Alerts



Eliminates False Alerts

**Discover A New Way To Drive**  
Enhanced Range. Greater Accuracy.

# Table of Contents

- INTRODUCTION ..... 3**
- MAX 3 FEATURES..... 3**
- PRODUCT SERVICE AND SUPPORT ..... 3**
- YOUR DEVICE..... 4**
  - WHAT'S IN THE BOX..... 4**
  - OPTIONAL ACCESSORIES – available at [www.EscortRadar.com](http://www.EscortRadar.com) ..... 4**
- CONTROLS AND CONNECTIONS ..... 5**
  - INSTALLATION ..... 5**
  - BASIC OPERATION ..... 8**
- PREFERENCES ..... 9**
- UNDERSTANDING RADAR AND LASER..... 18**
- ESCORT LIVE COMMUNITY ALERTS ..... 19**
- MAINTENANCE ..... 19**
- WARRANTY ..... 20**
- TRADEMARKS ACKNOWLEDGEMENT, WARNINGS, and REGULATORY INFORMATION..... 21**

# INTRODUCTION

Congratulations!

Your new ESCORT MAX 3 is one of the most advanced radar/laser detectors ever designed.

This booklet describes the simple steps for mounting and setting up your detector. It also provides helpful information about how radar and laser guns are used and how you can interpret the alerts you receive.

Please drive safely.

## MAX 3 FEATURES

**Long Range Detection and Accuracy** - MAX 3 provides exceptional radar detection range and false alert filtering.

**2<sup>nd</sup> Generation IVT Filter™** - Updatable IVT Filter automatically reduces false alerts from moving In-Vehicle Technology systems such as blind spot monitoring and adaptive cruise control.

**GPS with AutoLearn-** Location-based intelligence automatically locks out false alerts and allows you to mark locations for future reference.

**ESCORT Live™** - Built-In Bluetooth technology wirelessly connects to ESCORT's award-winning real-time ticket protection app, ESCORT Live™, for shared radar and laser alerts, red light cameras, speed cameras, and police spotted alerts.

**Defender** – Preloaded with ESCORT's updatable Defender Database, the award-winning location database of verified speed traps, speed cameras and red-light cameras.

**Color OLED Display** - Multiple selectable colors to match your vehicle's instrumentation.

**Dual Language** - English and Spanish voice and text alerts.

## PRODUCT SERVICE AND SUPPORT

For any questions about operating or installing this new ESCORT product, PLEASE CONTACT ESCORT FIRST...do not return this product to the retail store. The contact information for Escort

will vary depending on the country in which you purchased and utilize the product. For the latest contact information, please go to [www.escortradar.com/support](http://www.escortradar.com/support) or call 1-800-543-1608.

If your product should require factory service, please go to [www.escortradar.com/support](http://www.escortradar.com/support) and follow the instructions for returning your product to the Escort Factory Service Department.

## YOUR DEVICE

### WHAT'S IN THE BOX

- MAX 3 radar/laser detector
- SmartCord USB Power Cord
- EZ Mag Mount
- Travel Case
- Quick Start Guide

### OPTIONAL ACCESSORIES – available at

[www.EscortRadar.com](http://www.EscortRadar.com)

- EZ Mag Mount: **Item # 0020081-1** – Get one for each vehicle
- Direct Wire SmartCord: **Item # 0010057-1 (Green/Red Lights); 0010057-2 (Blue/Yellow Lights)** – Power your detector without use of your cigarette lighter power outlet, creating a clean, simple aesthetic in your interior. Includes remote mute button and power/alert lights.
- Dual 12 Volt Lighter Socket Adapter: **Item # 71-000035-01** – Includes fuse
- Direct Wire: **Item # 0010058-1** – Wires your detector directly into the fuse box for a quick and clean installation without any dangling wires. Includes fuse.
- USB Cable: **Item # 71200-001** – Used for updating firmware and database using your computer and the Detector Tools Pro software (not needed for updates over Wi-Fi)

# CONTROLS AND CONNECTIONS

## INSTALLATION

### WHERE TO MOUNT YOUR DETECTOR

You will get optimum performance from your detector if you mount it at a point approximately in the center of the vehicle, as low as possible on the front windshield without obstructing the detector's view of the road either to the front or rear.

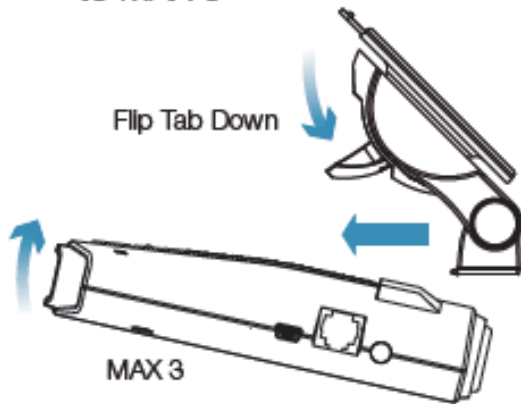
### Mounting Tips

- Center of windshield between driver and passenger.
- Ensure clear view of road ahead and sky above.
- Avoid windshield wipers and heavily tinted areas.
- Heated and radiation blocking windshields currently available on some vehicles will obstruct radar and GPS signals. Consult your dealer to see if you have this option.

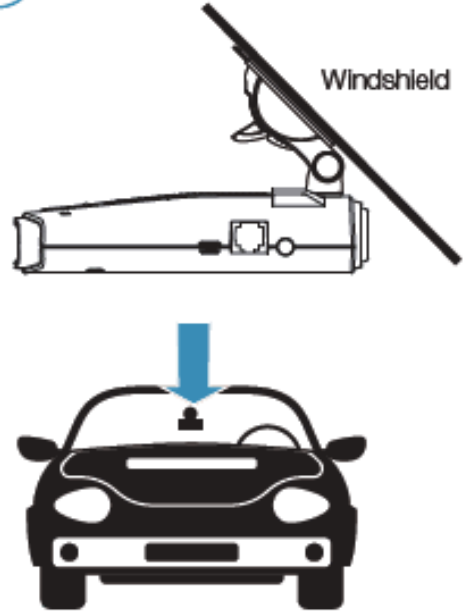
### MOUNTING DETECTOR IN YOUR VEHICLE

1. Remove paper backing from EZ Mag Mount™ StickyCup.
2. Ensure the locking clamp is open.
3. Firmly press EZ Mag Mount™ StickyCup onto windshield and close the locking clamp to secure.
4. To adjust view, loosen thumb wheel and adjust angle of mounting bracket. Tighten thumb wheel to secure.
5. Tilt the display end of the detector slightly upward and engage with the flanged edge of the mounting bracket. The EZ Mag Mount™ magnet holds the detector in place.
6. To remove the detector, simply lift the display end of the detector upward. The detector will release from the mount.
7. To remove mount from windshield, release the locking clamp and pull tab on top of the StickyCup.

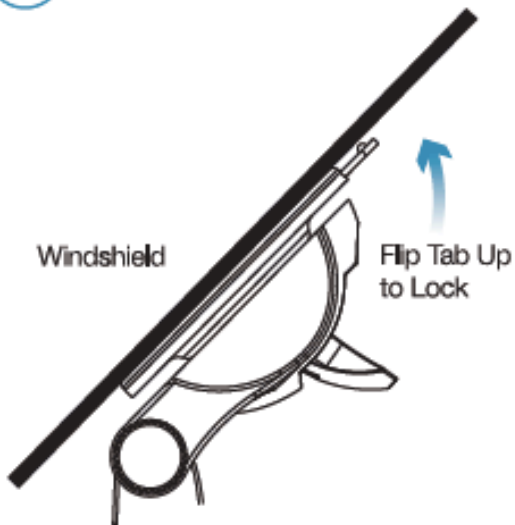
**1** Attach EZ Mag Mount™ to MAX 3



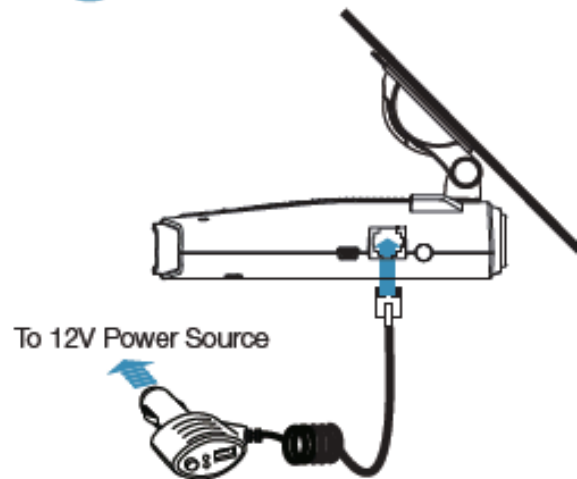
**2** Mount



**3** Lock Mount



**4** Connect and Power

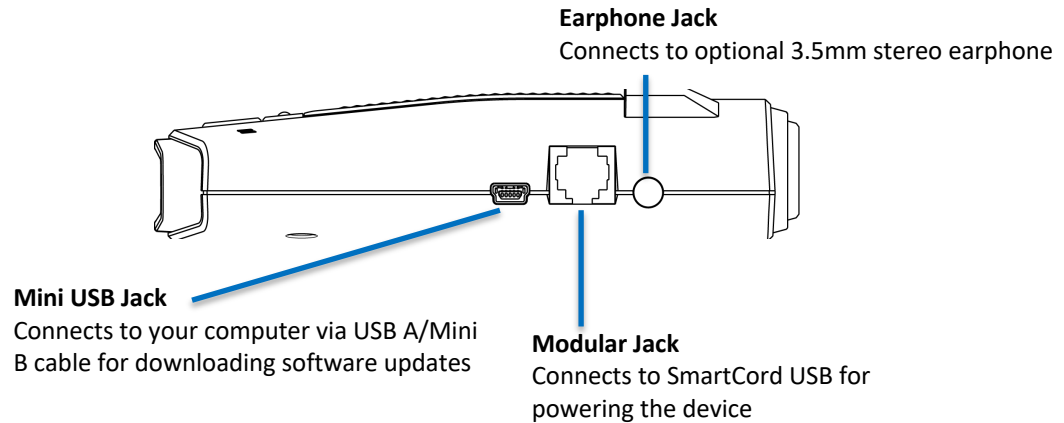


**EZ Mag Mount™ Care Instructions**

To clean your EZ Mag Mount™, simply rinse under warm water, gently wipe off any debris and allow to air dry.

## POWERING DETECTOR

1. Plug small end of SmartCord USB into modular jack on MAX 3 and large end of SmartCord USB into your car's lighter/accessory socket.
2. MAX 3 should power on automatically. If not, press the Power button.



## USING SMARTCORD USB

### Mute Button:

- Press to mute the audio for a specific alert.
- Press three times to lock out a false alert.
- Press twice while receiving a locked-out alert to unlock.
- When connected to ESCORT Live or a Wi-Fi hotspot, press and hold mute button on unit or cord to manually report to other users a verified X or K-band alert, or a police officer observing traffic.

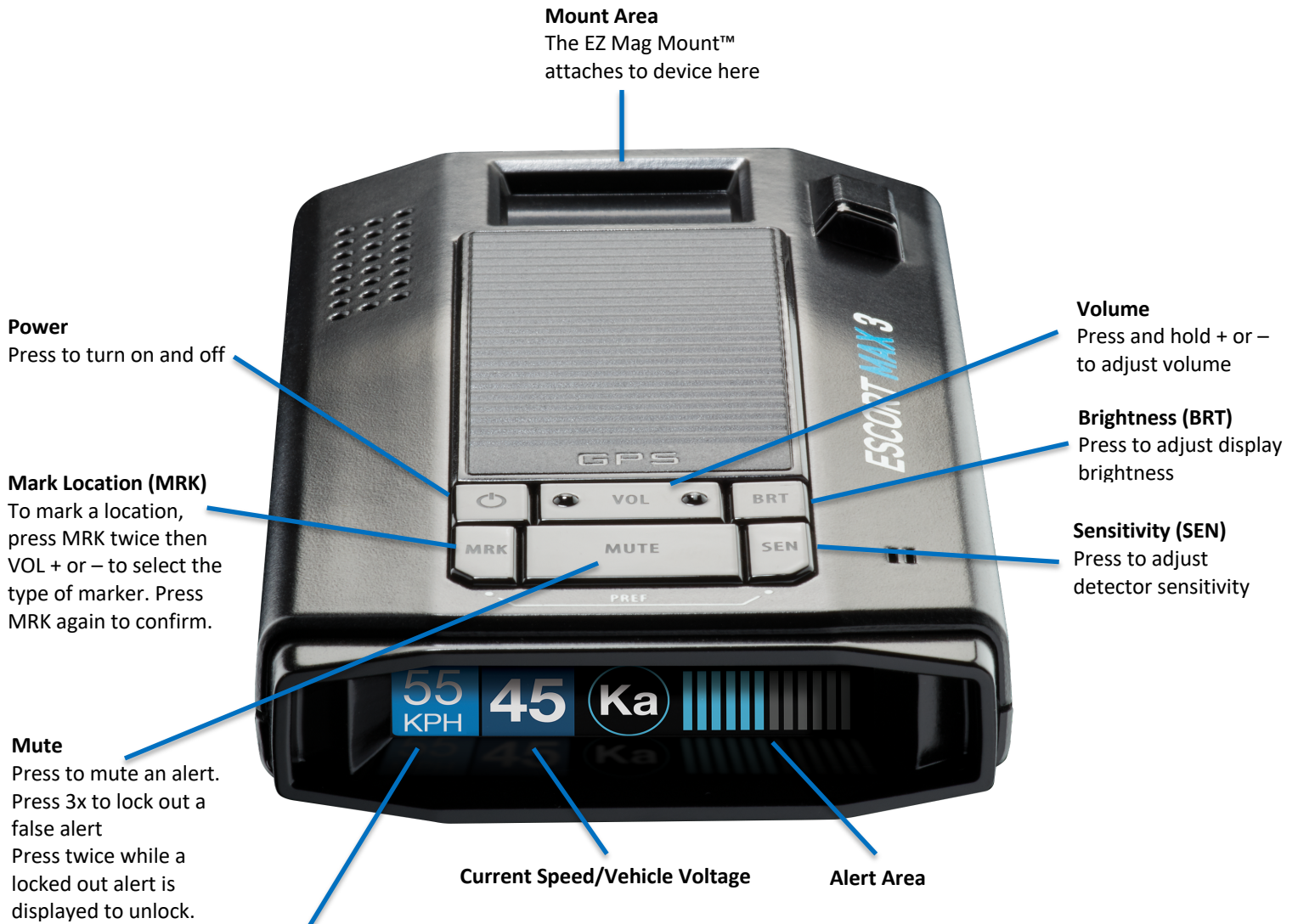
**Alert Light:** Blinks red when receiving a radar or laser alert.

**Power Light:** Lights green when receiving power.

**USB Charging Port:** Charge smartphones, tablets and other USB-charged Devices.



# BASIC OPERATION



**Mount Area**  
The EZ Mag Mount™ attaches to device here

**Power**  
Press to turn on and off

**Mark Location (MRK)**  
To mark a location, press MRK twice then VOL + or – to select the type of marker. Press MRK again to confirm.

**Mute**  
Press to mute an alert. Press 3x to lock out a false alert. Press twice while a locked out alert is displayed to unlock.

**Volume**  
Press and hold + or – to adjust volume

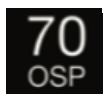
**Brightness (BRT)**  
Press to adjust display brightness

**Sensitivity (SEN)**  
Press to adjust detector sensitivity

**Current Speed/Vehicle Voltage**

**Alert Area**

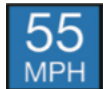
**Overspeed Setting**



Over Speed Alert Setting



Bluetooth is connected to smartphone



Speed Limit data from Escort Live, "--" means no data is available



## SENSITIVITY MODES

The SEN button selects radar sensitivity/range. The choices are:

**Highway** – Full sensitivity.

**Auto** – Reduces X and K band sensitivity based on the speed of the vehicle.

**AutoNoX** – Same as Auto but without X band detection.

**AutoLoK** – Same as Auto but with lowered K band sensitivity at all times.

## ANTI-FALSING CIRCUITRY

MAX 3 is designed to provide you the truest alerts and minimize the distraction of erroneous signals from fixed-position and moving sources.

- **Adjustable Sensitivity:** allows driver to adjust sensitivity to driving environment, reducing false alarms from fixed position sources such as automatic door openers. Auto modes automatically adjusts sensitivity based on vehicle speed.
- **IVT Filter:** system automatically reduces false alerts from moving In-Vehicle Technology sources such as collision avoidance systems and adaptive cruise control.

# PREFERENCES

## OVERVIEW

To access the Preferences menu, press and hold both the MRK and SEN buttons. “Preferences” will be displayed.

**MRK** is used to change and review the preference category.

+ and - are used to change the settings within a category.

**SEN** is used to change and review a sub-category and to confirm selections.

To exit Preferences, press the power button or simply wait a few seconds without pressing any buttons. A “Completed” message will display, confirming your selection(s).

### **Restore factory Settings**

To restore MAX 3 to its original factory settings, press and hold SEN and BRT while turning the power on. A Restored message will display, acknowledging the reset.

The following is a list of all the settings available in the Preferences menu followed by detailed descriptions of each setting:

User Mode	Advanced* Novice	Access and customize all Preferences Access and customize Units and Display Color only, all other Preferences are set to factory defaults <i>NOTE: Switch back to Advanced Mode to view all Preferences.</i>
Pilot Mode	Scanning* Full Word	Displays scanning bar and the selected SEN mode Displays only the selected SEN mode
Display Color	Blue* / Green / Red / Amber	Set color to match your vehicle's dash display
Speed Display	On* Off	Displays current speed Displays vehicle voltage instead of speed
Cruise Alert	20 mph*  Off / 20-160 mph	Offers only double beep alert tones below the specified speed
Over Speed	70 mph* Off / 20-160 mph	Alerts when the specified speed is exceeded
Meter Mode	Standard* Spec Expert Simple	Single band with signal strength bar graph Single band with numeric frequency Multiple bands with signal strength bar graphs Simple messages replace alert band and signal strength bar graphs: <b>Caution</b> (if traveling below Cruise Alert limit) <b>Slow Down</b> (if traveling above Cruise Alert limit)
Tones	Standard* Mild	Standard alert tones Mild doorbell chime alert tones
AutoMute	Low / Med* / High / Off	During an alert, automatically reduces audio to selected volume level
AutoLearn	On* / Off	Automatically stores and locks out false alerts
Units	English* / Metric	Units for distance and speed
Language	English* / Español	Language for voice and text
Voice	On* / Off	Voice announcements
GPS Filter	On* / Off	Enables GPS Filtering of stored false alerts
AutoPower	Off / 1 Hour / 2 Hours / 4 Hours* / 8 Hours	Powers down unit after specified time <i>NOTE: If AutoPower is enabled, to save screen life the display screen goes blank after 30 minutes without moving. Display screen will turn on automatically after you reach 10MPH</i>
Band Enables	Default* Modified	Default Band Enables Band Enables have been modified from their default settings
<b>Repeatedly press SEN to cycle through Band Enables</b>		<b>Press + or – to change the selected Band Enable on or off</b>
X Band	On* / Off	

K Band	On* / Off	Covers frequency range: 24.050 – 24.250 GHz <i>NOTE: When K Band is off, K Narrow bands are available selections</i>
K Narrow 1	On* / Off	Covers frequency range: 24.050 – 24.110 GHz
K Narrow 2	On* / Off	Covers frequency range: 24.110 – 24.175 GHz
K Narrow 3	On* / Off	Covers frequency range: 24.175 – 24.250 GHz
K Narrow 4	On* / Off	Covers frequency range: 23.950 – 24.050 GHz
MultaRadar CD	On / Off*	MultaRadar CD detection
MultaRadar CT	On / Off*	MultaRadar CT detection
Ka Band	On / Off*	Covers frequency range: 33.400 – 36.000 GHz <i>NOTE: When Ka Band is off, Ka Narrow bands are available selections</i>
Ka Narrow 1	On / Off*	Covers frequency range: 33.600 – 33.700 GHz
Ka Narrow 2	On* / Off	Covers frequency range: 33.700 – 33.900 GHz
Ka Narrow 3	On / Off*	Covers frequency range: 33.900 – 34.200 GHz
Ka Narrow 4	On / Off*	Covers frequency range: 34.200 – 34.600 GHz
Ka Narrow 5	On* / Off	Covers frequency range: 34.600 – 34.800 GHz
Ka Narrow 6	On / Off*	Covers frequency range: 34.800 – 35.160 GHz
Ka Narrow 7	On / Off*	Covers frequency range: 35.160 – 35.400 GHz
Ka Narrow 8	On* / Off	Covers frequency range: 35.400 – 35.600 GHz
Ka Narrow 9	On / Off*	Covers frequency range: 35.600 – 36.000 GHz
Ka-POP	On / Off*	Ka-POP detection
Laser	On* / Off	Laser detection
TSR	On* / Off	Traffic Sensor Rejection (TSR) filtering
RDR	On / Off*	Radar Detector Rejection filtering
K Notch	On / Off*	Reduces sensitivity of K band frequency range: 24.190 – 24.210 GHz <i>NOTE: K Notch is effective at reducing alerts to certain vehicle collision avoidance systems</i>
Shifters	Receive / Shift* / Shift4 / Shift6 / Shift8 / Shift10 / Off	Shifter mode. Receive = receive-only Shift4/6/8/10 puts shifters in receive-only mode after 4/6/8/10 seconds from receiving an alert <i>NOTE: only available when optional ZR5 or ZW5 shifters are connected</i>
Marker Enable	Default* Modified	Default Marker Enables Marker Enables have been modified from their default settings
<b>Repeatedly press SEN to cycle through Marker Enables</b>		<b>Press + or – to change the selected Marker Enable on or off</b>
Other	On* / Off	Other location
Redlight	On* / Off	Redlight camera
Red & Speed	On* / Off	Redlight and speed camera
Speed Camera	On* / Off	Speed camera
Speed Trap	On* / Off	Speed trap

Air Patrol	On / Off*	Aircraft enforcement areas
Clear Location	Marked Lockouts Defender Format	Clear all user marked locations Clear all locked out false alerts Clear all Defender locations Clears all locations Press SEN twice to confirm selection
Interface	Mode 1* Mode 2	Supports accessories including ZR5 and ZW5 Supports aftermarket accessories

### Serial Number and Software Version

To view your MAX 3's serial number and software revision, press and hold the MRK and MUTE buttons while powering on the detector.

### User Mode

**Advanced** –access and customize all settings and preferences.

**Novice** - access and customize only Units (English or metric) and Display Color. All other preferences are set to factory defaults. To view all settings and preferences, you must switch to Advanced mode.

### Pilot Mode

**Scanning Bar** - displays an animated scanning bar along with the selected sensitivity mode.

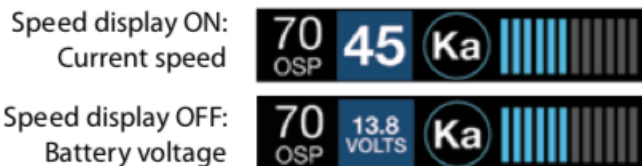
**Full Word** - only displays the selected sensitivity mode.

### Display Color

The display graphics can be changed to blue, green, red or orange to match the instrument lighting of your vehicle.

### Speed Display

Turns Speed Display off or on. When Speed Display is off, the vehicle's voltage is displayed.



### Cruise Alert

While traveling below the set Cruise Alert speed, all alerts sound a short double-beep. The alert will fully sound when you exceed the Cruise Alert speed.

## Over Speed

You can set the Over Speed alert to notify you when you are traveling over a specified speed. When you travel above the speed that you have set, the background display for your current speed will turn red and a voice prompt will announce “Over Speed”.

When connected to Escort Live, the Over Speed setting is automatically set to the speed limit showing on the display. If no speed limit data is available and the display shows --, the Over Speed setting is used.

## Meter Mode

MAX 3 offers four different settings for displaying information about alerts.

### Standard



The Standard option provides information on a single radar signal. When MAX 3 detects radar, it displays the band of the radar (X, K or Ka) and a bar graph of the signal’s strength. When laser is detected, the display will simply read “Laser.” If there are multiple signals present, MAX 3 will determine which one is the most important threat to display.

### Spec



The Spec meter option is an advanced display for experienced detector users. In this mode, it will display the actual numeric radar frequency being received. Even long-time detector users will require some time to get familiar with this new level of information about detected signals. To use Spec instead of the Standard bar graph meter, you must select it (Spec) in Preferences.

### Expert



ESCORT’s exclusive Expert meter option is designed for the advanced detector user. In this mode, MAX 3 simultaneously tracks up to four radar signals. It shows each band along with a bar graph of its signal strength. In the image above, a Ka band, K band and two X bands are being detected with the greyed-out X band being a locked out false. Expert meter mode can help you spot a change in your normal driving environment (e.g., a traffic radar unit being operated in an area where there are normally other signals present).

### Simple



Simple messages replace bands and signal strengths or frequencies:

**Caution** - used when an alert is received while you are traveling below your current Cruise Alert setting (or posted speed limit for your current location when connected to ESCORT Live).

**Slow Down** - displayed when an alert is received while you are traveling above the current Cruise Alert setting (or posted speed limit of your current location, when connected to ESCORT Live).

## Tones

### Standard

The factory default Standard alert tones uses a Geiger counter-type sound to indicate the signal strength and type of radar signal being encountered. When you encounter radar, a distinct audible alert will sound and will increase as the signal gets stronger. This allows you to judge the distance from the signal source without taking your eyes off of the road. Each band has a distinct tone for easy identification:

**X band** = beep tone

**K band** = brap tone

**Ka band** = double-brap tone Laser = solid brap tone

**POP** = solid brap tone

### Mild

Mild alert tones offer softer, simpler alert tones that are less obtrusive to the driving experience:

X band, K band, Ka band and POP = Doorbell chime

Low signal strength = Double chime

High signal strength = Triple chime

If alert remains in area more than 15 seconds = Single chime (as a reminder)

Laser = Solid brap tone

Since laser signals are a possible threat no matter how weak, laser alerts are always full strength.

### AutoMute

Your MAX 3 also includes ESCORT's patented AutoMute feature. Once MAX 3 alerts you to a radar encounter at your selected volume level, it automatically reduces the volume to the selected AutoMute level. This keeps you informed without the annoyance of a continuous full-volume alert. If you prefer, you can turn the AutoMute feature off.

### AutoLearn

The AutoLearn feature analyzes (over time) the source of radar signals by location and frequency. This allows MAX 3 to determine if a fixed location signal is a real threat or a false one. If it determines that the signal is an automatic door opener, motion sensor, etc., it automatically locks out this source at this particular location. A "Stored" message will appear on

the display when a signal has been automatically locked out. AutoLearn needs to encounter the exact frequency in the same location approximately three times to lock it out. Since some door openers are turned on and off routinely, some variations may occur. Variations may also occur with seasonal temperature changes that can affect the frequency that these radar sources transmit.

MAX 3 will also unlearn signals to protect you from locking out real threats. If a particular signal is no longer present at a location that was previously locked out, MAX 3 will unlock that signal. If you prefer, you can turn the AutoLearn feature off.

### **GPS Filter (TrueLock)**

MAX 3 is equipped with a TrueLock GPS Filter to store and lock out, or ignore, fixed location false alerts in its memory. Common sources of fixed location false alerts are storefront automatic door openers and motion sensors. The TrueLock GPS Filter will not lock out moving false alerts that are commonly caused by vehicle's blind spot monitoring and collision avoidance systems.

#### **Locking Out False Alerts**

To manually lock out a fixed location false alert (X band, K band or laser only), press the MUTE button three times during an alert. Pressing the first time will silence the audio. Pressing a second time will generate a prompt on the display that will read "Lockout?" Press a third time to confirm you want to lock this signal out by location and frequency. A "Stored" message will be displayed. Once a signal has been stored, MAX 3 will not audibly alert the next time you approach this area but will display the locked-out alert in grey.



To unlock a signal that has already been stored, press the MUTE button twice while receiving the locked out alert. The display will read "Unlock?" when pressing MUTE the first time. Press the MUTE button again to unlock it from memory. The display will read "Unlocked" to confirm your action.

*Note: When the GPS Filter is set to OFF, you do not have access to MAX 3's other GPS-enabled features (e.g., Defender Database alerts, marking locations, etc.).*

### **AutoPower**

This feature automatically turns off MAX 3 after a set period of time to save unnecessary drain on your battery. This is especially useful if your vehicle has a constant-power ignition. To turn MAX 3 on again you must press the power button.

*Note: If AutoPower is on, to save screen life the display screen goes blank after 30 minutes without moving. The display screen will turn on automatically after you reach 10MPH.*

## **Band Enables**

In the factory default setting the suggested radar and laser bands for North America are monitored and sources of some common false alerts are rejected. It is highly recommended that you use your MAX 3 in this mode.

If you modify Band Enables then this setting will show Modified. The MAX 3 will also notify you during the startup sequence with an audible alert.

*WARNING: Do not turn off any bands unless you are absolutely certain there are no traffic radar guns using that specific band in your area.*

## **K Notch**

Reduces sensitivity of K band in the frequency range of 24.190 – 24.210 GHz. This is effective at reducing alerts to certain vehicle collision avoidance systems.

## **Shifters**

*(only available when optional ZR5 or ZW5 laser shifters are connected)*

Sets the shifter mode of operation. Receive = receive-only mode. Shift4/6/8/10 puts the laser shifters into receive-only mode after 4/6/8/10 seconds from receiving an alert. After 30 seconds of not receiving a Laser alert, the shifters automatically return to shift mode. You can also manually put the laser shifters into receive-only mode by double tapping the Mute button on the detector or SmartCord.

## **Marker Enables**

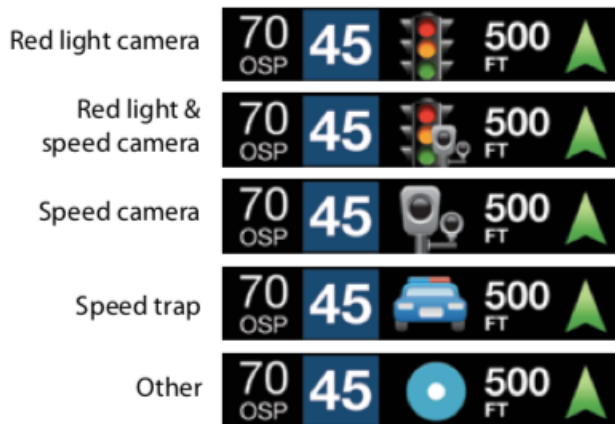
In the factory default setting, the suggested fixed location alerts are reported. It is highly recommended that you use your MAX 3 in this mode.

If you modify Marker Enables then this setting will show Modified and only the Markers that you have selected are reported.

## **Marking Locations**

The MRK button allows you to mark a specific location and label it for future reference. Once marked, MAX 3 will provide an alert when you reach this area again.





MAX 3 gives advanced warning of upcoming markers at the following distances:

**Red light cameras** - 250 ft or 10 seconds

**Red light & speed cameras** - 250 ft or 10 seconds

**Speed cameras** - 500 ft when traveling below 55 mph  
1,000 ft when traveling above 55 mph

**Speed traps** - 0.3 mi or approximately 1,584 ft

**Other** - 500 ft when traveling below 55 mph  
1,000 ft when traveling above 55 mph

#### To Mark A Location

- Press MRK. The display will read “Mark?” Press MRK again to bring up a menu of markers to choose from.
- Repeatedly press + or - to scroll through the markers then press MRK to select the marker that you wish to use at this location.
- The display will read “Marked!”

Air Patrol locations cannot be marked by the user.

*Note: When a location is marked the first time, you must travel at least 1 mile away from that location to receive an alert when you return to the area.*

#### To Unmark A Location

Touch the MRK button when you are receiving a marked-location alert. The display will read “Unmark?” Touch the MRK button again to confirm. The display will read “Unmarked!”

#### Clear Locations

At some point, you may wish to clear some of the data in MAX 3’s database. This may include any of the following: Defender Database data, Marked locations or false alert Lockouts.

To clear locations in the selected database, select the database then press SEN twice to confirm. **Format** clears locations in all databases.

## Interface

**Mode 1** – Select when using Escort ZR5 or ZW5 with MAX 3

**Mode 2** – Select when using an aftermarket vehicle interface with MAX 3

# UNDERSTANDING RADAR AND LASER

## RADAR SPEED MONITORING SYSTEMS

Three band frequencies have been approved by the Federal Communications Commission (FCC) for use by speed monitoring radar equipment:

X band 10.525 GHz

K band 24.150 GHz

Ka band 33.400 – 36.00 GHz

## LIDAR (LASER)

The correct name for the technology that most people refer to as laser is actually LIDAR, which stands for Light Detection and Ranging. LIDAR operates much like radar. Its signal spreads out like a radar signal, though not as widely.

Unlike radar, LIDAR must have a clear line of sight to its target vehicle throughout the entire measurement interval. Obstructions such as signposts, utility poles, tree branches, etc., will prevent valid speed measurement.

Some common questions about LIDAR include:

### **Does weather have any effect on LIDAR?**

Yes. Rain, snow, smoke, fog or airborne dust particles will reduce the effective range of LIDAR and can, if dense enough, prevent its operation.

### **Can LIDAR operate through glass?**

Yes. Newer LIDAR guns can obtain readings through most types of glass. However, the laser pulse also can be received through glass to trigger an alarm by your detector.

### **Can LIDAR operate while in motion?**

No. Because LIDAR operates by line of sight, the person using it cannot drive the vehicle, aim and operate the gun all at the same time.

### **Is it legal for police to use LIDAR?**

Yes, LIDAR is allowed to be used in all 50 States by police. Your detector detects LIDAR (laser).

# ESCORT LIVE COMMUNITY ALERTS

Community Radar/Laser alert sharing means that you have an entire network of users working to keep you and your wallet safe.

When you, or any other Escort Live user, detects a radar or laser signal the alert information is anonymously sent to Escort's cloud servers. Within seconds, that information is processed and displayed on your map.

## CONNECTING TO ESCORT LIVE

Connect your detector to your smartphone via Bluetooth®

- A Power on the MAX 3.  
Make sure the unit is connected to your car's 12V port.

- B Install and run the ESCORT Live app on your smartphone.

**Note:** The first time you run the app, you will be prompted to register a new account.

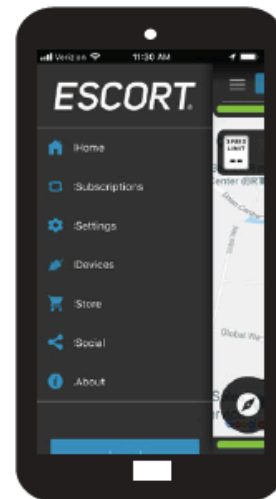
- C In the ESCORT Live app, press the Menu button then select "Devices".



- D Select "MAX 3" from the list.

- E In the ESCORT Live app, the MAX 3 entry will display "Connected" when it has paired. Press the "Menu" button then "Home" to return to the Map screen.

- F You're all set!



# MAINTENANCE

Your detector is designed and built to give you years of trouble-free performance without the need for service. No routine Maintenance is required.

If your unit does not appear to be operating properly, please follow these troubleshooting steps:

- Make sure the power cord is properly connected.
- Make sure the socket of your vehicle's cigarette lighter is clean and free of corrosion.
- Make sure the power cord's cigarette lighter adapter is firmly seated in your cigarette lighter.

## WARRANTY

### LIMITED 1-YEAR WARRANTY

Escort, Inc. ("Escort") warrants that this product and the component parts thereof, will be free of defects in workmanship and materials for a period of one year from the date of first consumer purchase. This warranty may be enforced by the first consumer purchaser. If the product is under warranty, it will be repaired or exchanged depending on the model as determined at Escort's sole discretion. Such remedy shall be your sole and exclusive remedy for any breach of warranty.

The procedure for obtaining service and support, and the applicability of this warranty, will vary depending on the country or jurisdiction in which you purchased and utilize the product. For the details on obtaining product service, support and warranty please visit

<https://www.escortradar.com/pages/contact-us>

Provided that the product is utilized within the U.S.A.- Escort will, without charge, repair or replace, at its option, defective products, products or component parts upon delivery to the Escort Factory Service department, accompanied by proof of the date of first consumer purchase, such as a duplicated copy of a sales receipt. You must pay any initial shipping charges required to ship the product for warranty service, but the return charges, to an address in the U.S.A., will be at Escort's expense, if the product is repaired or replaced under warranty.

This warranty gives you specific legal rights, and you may also have other rights which may vary from state to state and country to country.

Exclusions: This limited warranty does not apply: 1) To any product damaged by accident; 2) In the event of misuse, ordinary wear, failure to follow directions, or improper maintenance of the product or as a result of unauthorized alterations or repairs; 3) If the serial number has been altered, defaced, or removed; 4) If the product was purchased or is utilized in a jurisdiction not covered by the limited warranty.

All implied warranties, including warranties of merchantability and fitness for a particular purpose are limited in duration to the length of this warranty. Escort shall not be liable for any incidental, consequential or other damages; including, without limitation, damages resulting from loss of use or cost of installation.

Some states and countries do not allow limitations on how long an implied warranty lasts and/or do not allow the exclusion or limitation of incidental or consequential damages, so the above limitations may not apply to you. This warranty gives you specific legal rights, and you may also have other rights which vary from state to state and country to country

## **TRADEMARKS ACKNOWLEDGEMENT, WARNINGS, and REGULATORY INFORMATION**

©2020 ESCORT Inc. ESCORT®, MAX 3, Defender®, TrueLock™, AutoSensitivity™, SpecDisplay™, TotalShield™, ExpertMeter™, ESCORT Live™, IVT Filter™ and EZ Mag Mount™ are trademarks of ESCORT, Inc. Designed in the USA by Escort Inc. Manufactured in the Philippines.

NOTE: This device complies with part 15 of FCC rules: Operation is subject to the following two conditions: (1) This device may not cause harmful interference, and (2) This device must accept any interference received including interference that may cause undesired operation.

CAUTION: Modifications or parts not approved by Escort, Inc. may violate FCC Rules and void authority to operate this equipment. This device complies with RSS-310 of Industry Canada. Operation is subject to the condition that this device does not cause harmful interference.