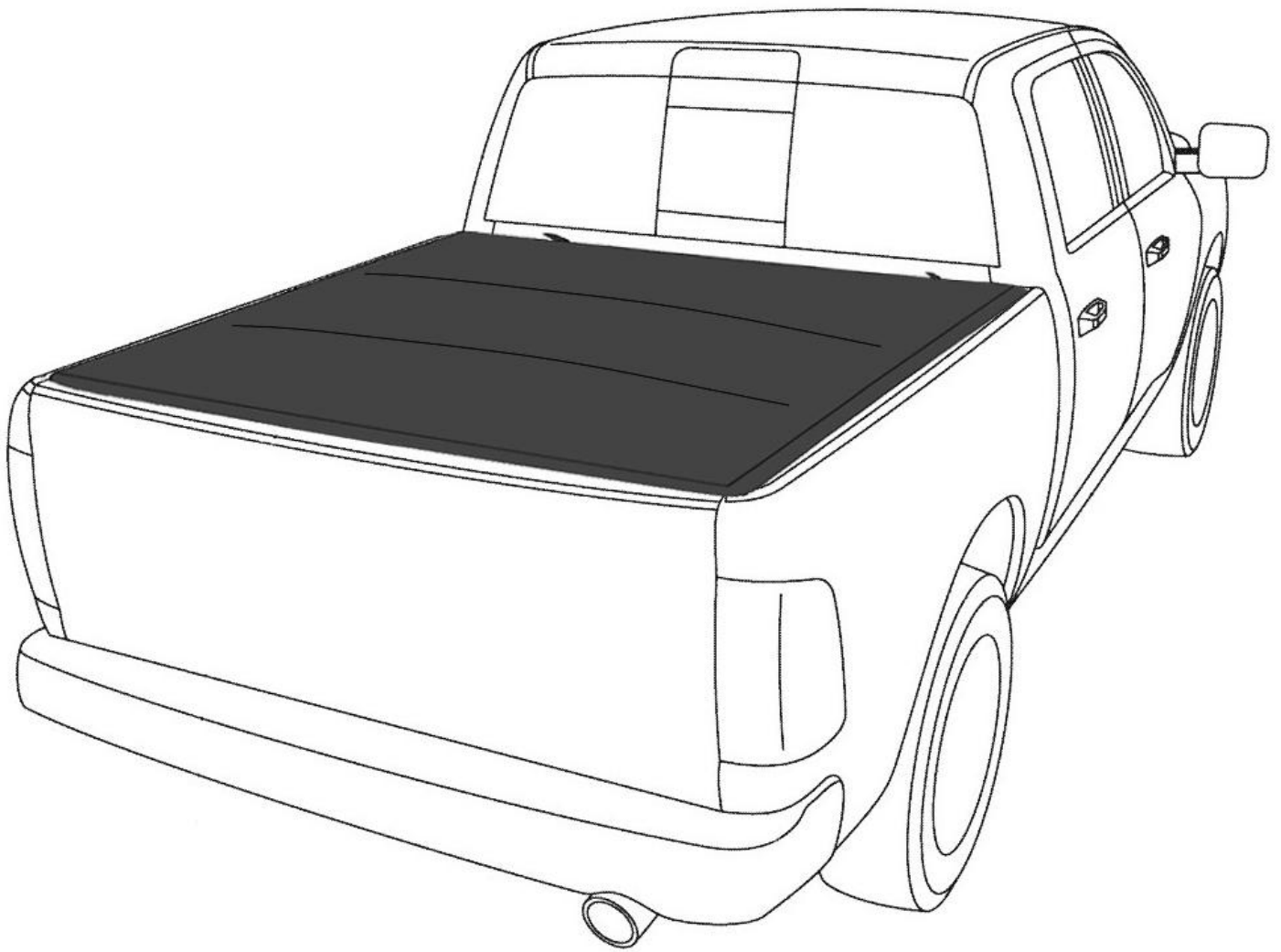


TACTIK

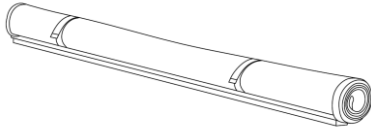


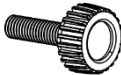
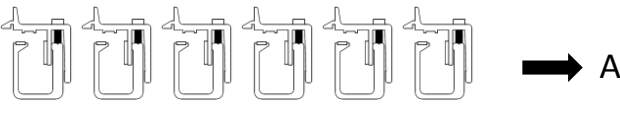
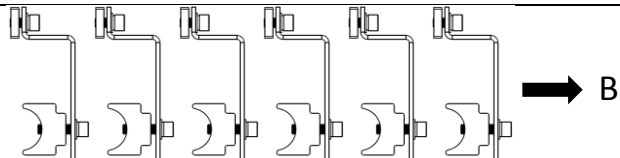
Lock & Roll Soft Tonneau



*1028 Saunders Lane
West Chester, PA 19380*

*610.701.3336 ext. 3746
404.558.8652 cell
610.701.2402 fax*

Parts included in the Assembly:

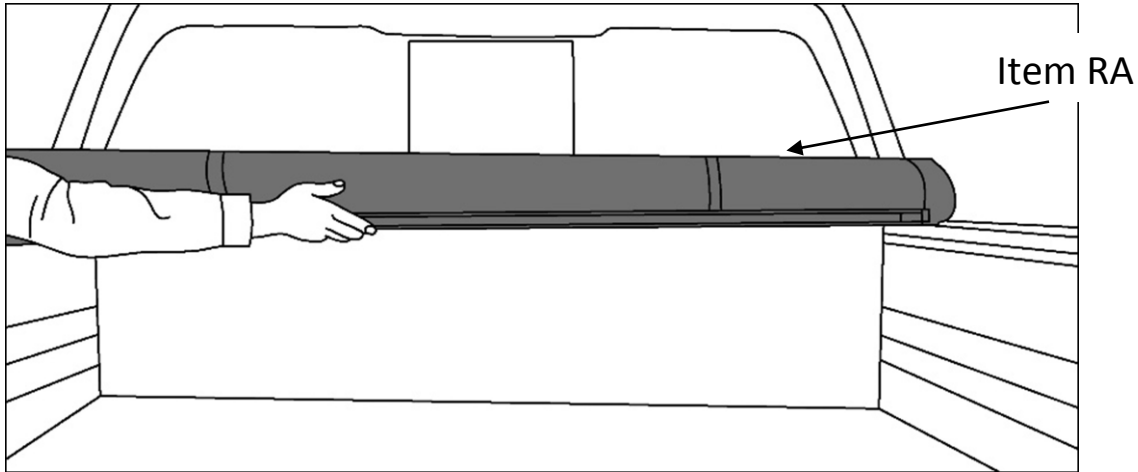
Item	Description	Qty	Picture
RA	Tonno Tarp, with Front Bar, Rear Bar and Front/Central/Rear Crossbow	1	
RB	Left Side Rail	1	
RC	Right Side Rail	1	
RD	Adjustable Setting Knob	2	
RG	Clamp Assembly Clamp-A is for truck bed without Utility Track System only;	6	 → A
	Clamp-B is for truck bed with Utility Track System only.		 → B

REQUIRED TOOLS: 1 Allen Wrench 3/16", Measure Tape.

Check contents of carton with the list above. Clean truck thoroughly before installation.

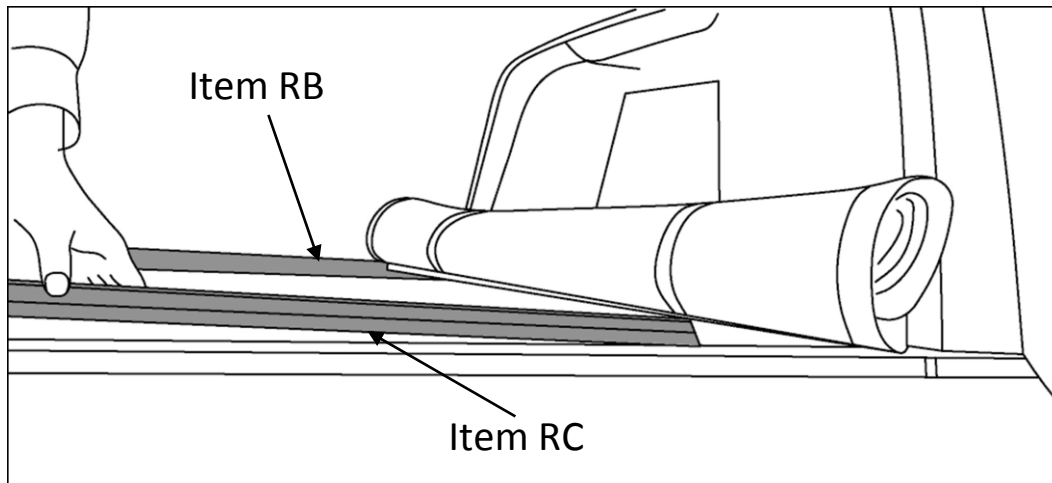
Step1

Put the Tono Tarp (Item A) on the bed front rail.



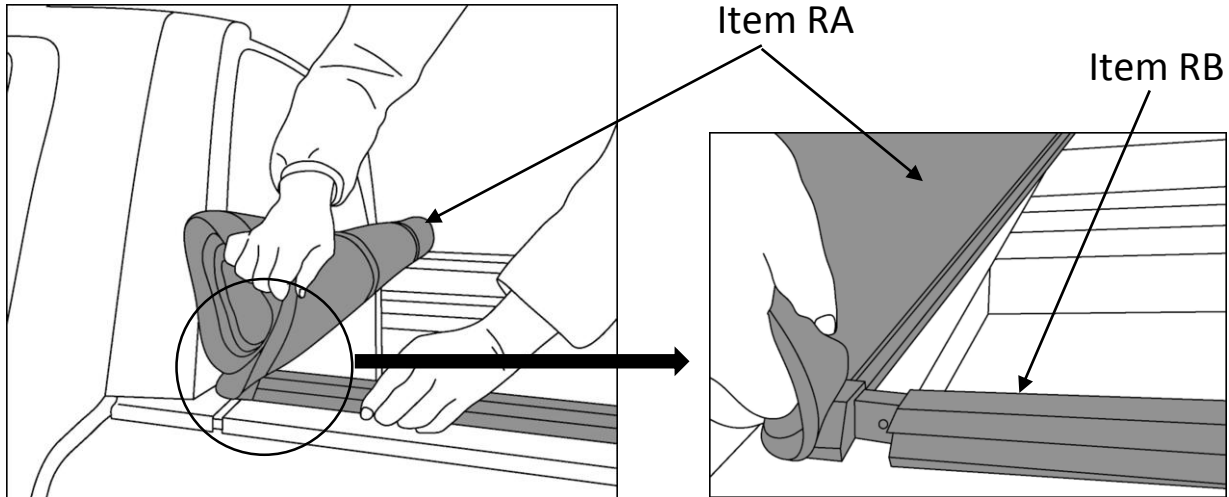
Step2

Place the right side-rail (Item RC) and Left side rail (Item RB) on each side of truck bed.

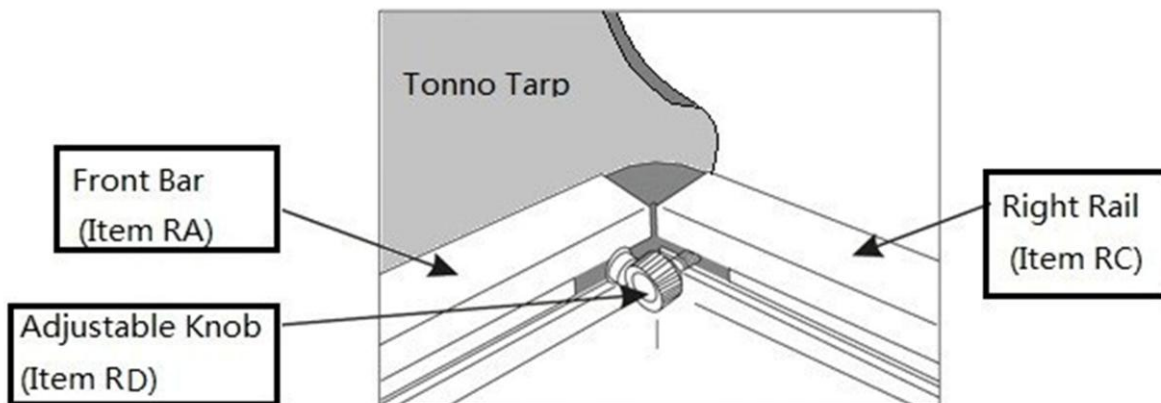


Step 3

Insert the two side rails (Item RB and Item RC) into front bar (Assembled in the Tarp, Item RA).

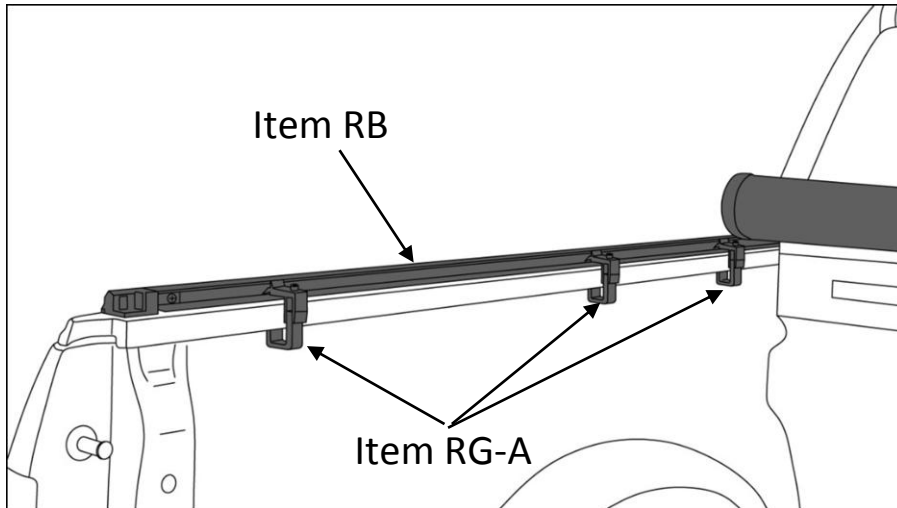


Insert Front Bar (item RA) into the 2 Side rails (item RB and RC), and tighten the Knobs (RD). (Pay attention to the position of the Knobs in the picture below)

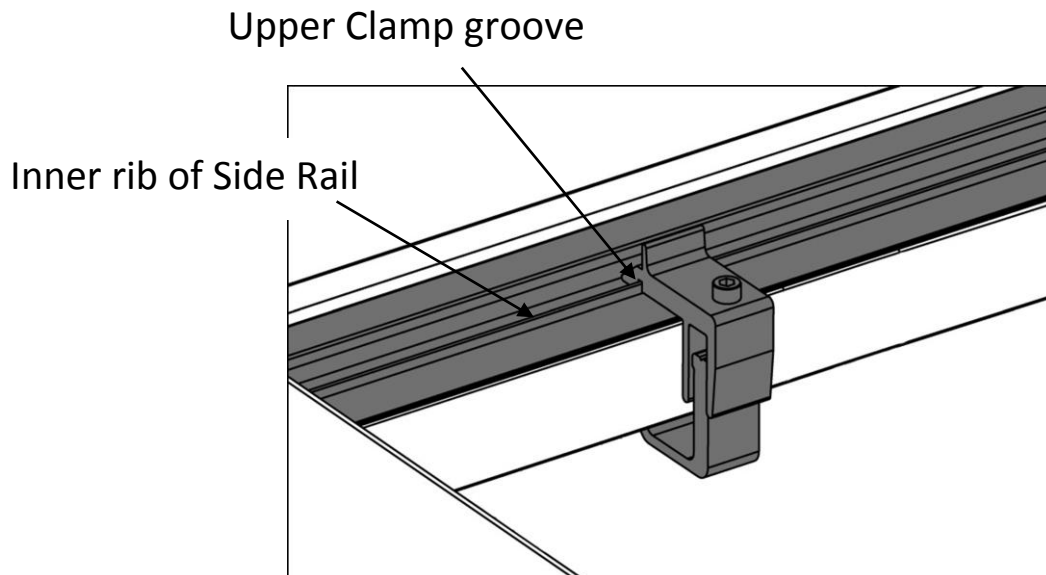


Step 4

Insert the clamps (Item RG) inside the side rail inner grooves. Distribute evenly the clamps on each side of the cover (see picture). Tighten loosely the clamps with the Allen wrench. *For truck with Utility Track system, please read page 9/10 for side rail installation.



✘ Make sure the Upper Clamp groove is firmly sit on the inner rib of Side Rail.

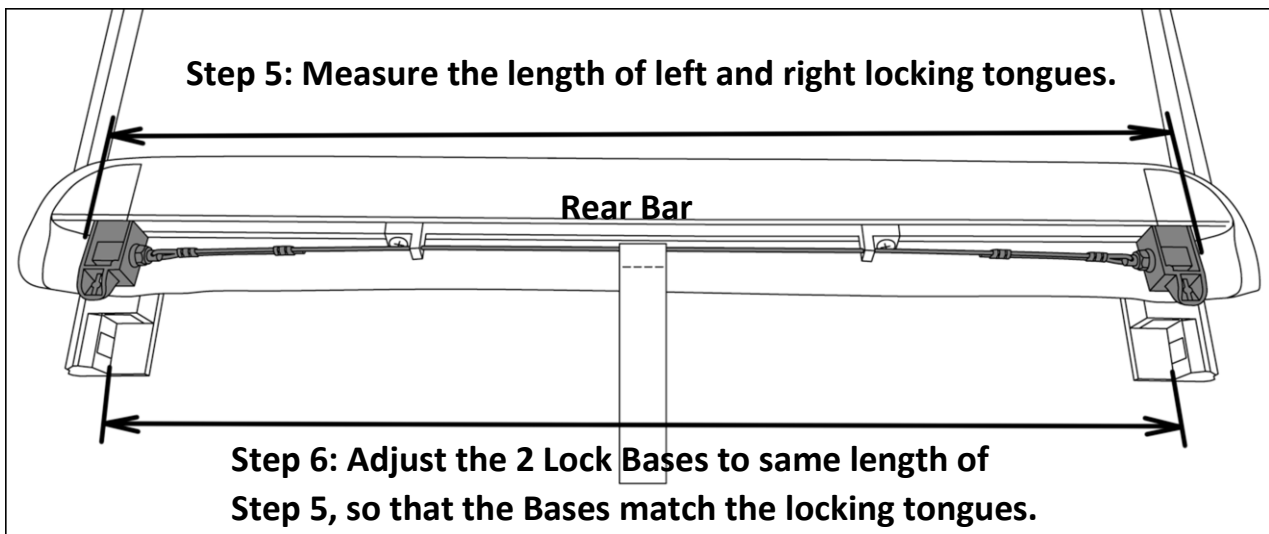


Step 5

Measure the length between the outside of 2 metal Locking Tongues (The metal locking tongue is on each side of Rear Bar), record the length.

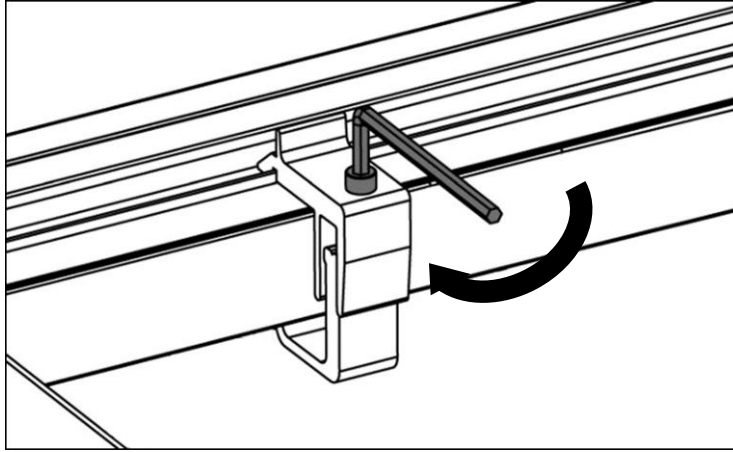
Step 6

Adjust the distance between 2 Side Rails on the truck bed, make sure the distance between the 2 Locking Bases is adjusted to same length as the result of Step 5. (The Locking Base is on the rear end of Side Rail)



Step 7

Then tighten the Clamps tightly on the side rails with the Allen wrench.



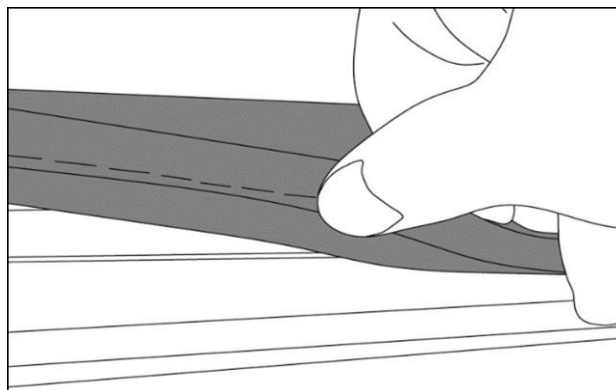
Step 8

Pull the Tonno Tarp, push down the Rear Bar, close and lock the Rear Bar

NOTE: When push down the rear bar, DO NOT push the center of the bar. Push on each end of the bar, until the lock pin (Lock Tongue) is locked completely in the side rail locking house (Lock Base).

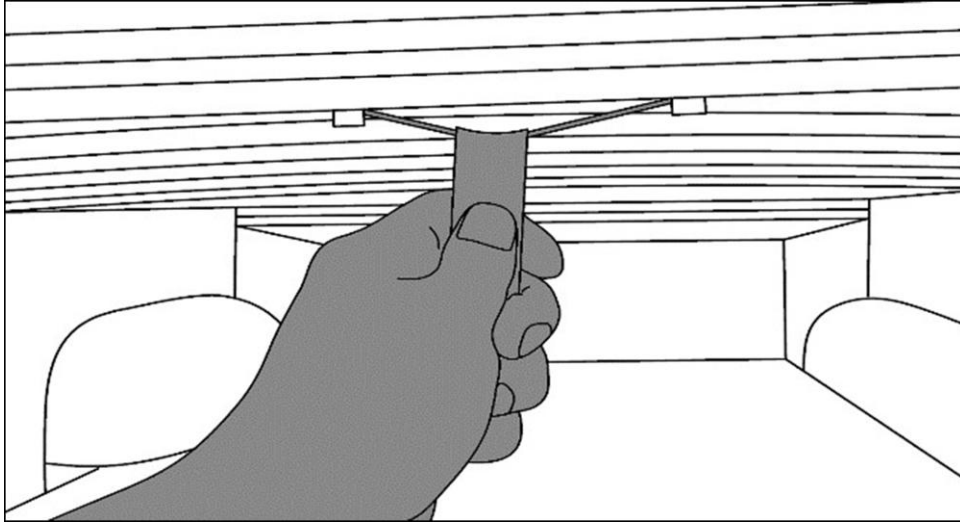
Step 9

Insert the plastic extrusion on the Tonno Tarp into the outside groove of each Side Rail.



Step 10

To open the cover, open the truck bed tailgate, pull the handle in the middle of the cover Rear Bar, unlock the bar, roll up the whole cover to the front of truck bed, then use the buckles to secure the rolled tarp.

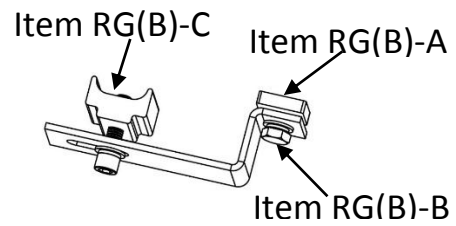


WARNING-CARE OF THE COVER TARP

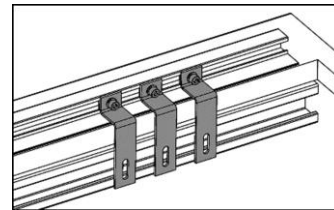
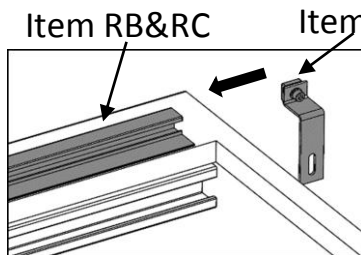
- a) Do not use cleaners for plastic or detergents. Clean the tarp with neutral soap and water
- b) When close the cover, make sure the Rear Bar is locked firmly, and side plastic extrusion is inserted into the Side Rail completely. Do not travel unless the cover is proper locked.

Attention: For Nissan/Toyota trucks (With Utility Tracks) only

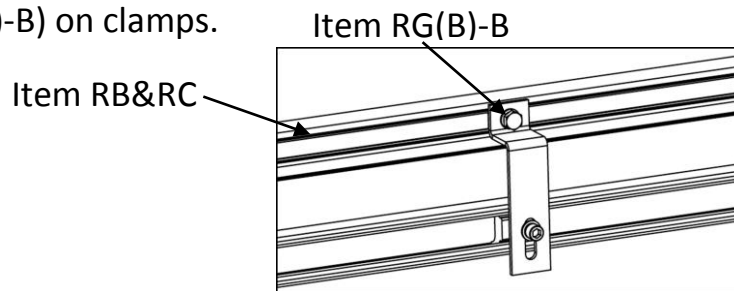
The Item RG (Clamp assembly) will become a bracket set as below photo (Item RG(B)-A,B,C). Follow below steps to assemble the side rails (RB, RC) on the truck bed:



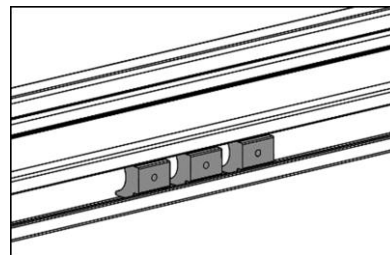
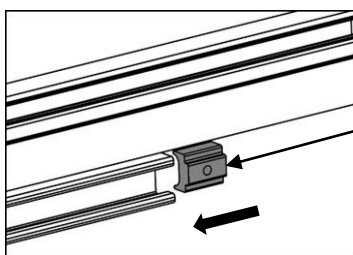
- 1) Place the side rail (Item RB&RC) on the truck bed, and insert the clamps (Item RG(B)-A) inside the side rail (Item RB&RC) inner grooves.



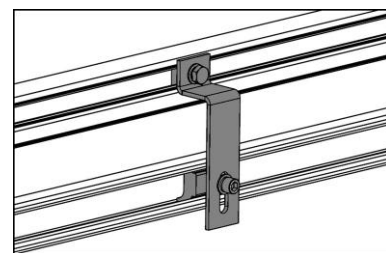
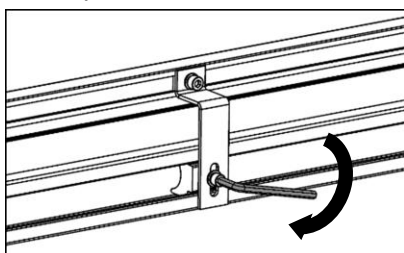
- 2) Distribute evenly the clamps on each side of the cover. Tighten the hex nut (Item RG(B)-B) on clamps.



- 3) Slide the aluminum block (Item RG(B)-C) in the truck bed factory track (see picture below).



- 4) Tighten the aluminum block and clamps with the allen wrench (see picture below).





WARNINGS

READ AND UNDERSTAND ALL INSTRUCTIONS. FAILURE TO FOLLOW ALL INSTRUCTIONS LISTED, FAIL TO READ MAY RESULT SERIOUS INJURY.

- **DO NOT CUT OR MODIFY THE TONNEAU COVER OR MOUNTING ACCESSORIES.**
- **DO NOT EXCEED THE VEHICLE MANUFACTURER'S WEIGHT LIMITS.**
- **DO NOT USE DAMAGED OR EXCESSIVELY WORN PRODUCTS. CONTACT US IF YOU ARE UNSURE.**
- **THE WARNINGS, CAUTIONS, AND INSTRUCTIONS DISCUSSED IN THIS INSTRUCTION MANUAL CANNOT COVER ALL POSSIBLE CONDITIONS OR SITUATIONS THAT COULD OCCUR. IT MUST BE UNDERSTOOD BY THE OPERATOR THAT COMMON SENSE AND CAUTION ARE FACTORS WHICH CANNOT BE BUILT INTO THIS PRODUCT, BUT MUST BE SUPPLIED BY THE OPERATOR.**

CLEANING

Clean with cold water and a cloth. Do use a neutral soap and detergents. Do not expose to petrol, diesel, oils or chemicals of any nature.

INTENDED USE

A tonneau cover will help to save you money from low gas mileage, lost/damaged cargo and theft. It will also protect the bed of your truck and help to prevent serious damage that will cause repairs to be needed.

INSTALLATION PRECAUTIONS

- Follow DOT regulations regarding installation and use.
- Park truck on a flat, level, hard surface well away from traffic. Place transmission in park.
- Verify that installation surface has no hidden wires before drilling or driving screws.
- Install only according to these instructions. Improper installation can create hazards.
- Wear ANSI-approved safety goggles and heavy-duty work gloves during assembly and installation.
- Keep installation area clean and well lit.
- Keep bystanders out of the area during installation.
- Do not install when tired or when under the influence of drugs or medication.
- Weight capacity and other product capabilities apply to properly and completely installed product only.

USE PRECAUTIONS

- Do not exceed rated weight capacity of Tonneau Cover.
- Do not exceed rated weight capacity of truck. Refer to truck's Gross Vehicle Weight Rating.
- Use as intended only.
- Inspect before every use; do not use if parts loose or damaged.
- This product is not a toy. Do not allow children to play with or near this item.
- Maintain product labels and nameplates. These carry important safety information.
- The warnings, precautions, and instructions discussed in this instruction manual cannot cover all possible conditions and situations that may occur. It must be understood by the operator that common sense and caution are factors which cannot be built into this product, but must be supplied by the operator.

**1028 Saunders Lane
West Chester, PA 19380**

**610.701.3336 ext. 3746
404.558.8652 cell
610.701.2402 fax**