

Quadratec® Rock Crawler Front Bumper

Installation Manual for '87-'06 Wrangler & Wrangler Unlimited

#12057.0102



⚠ WARNING ⚠

TO REDUCE RISK OF SERIOUS INJURY OR PROPERTY DAMAGE: READ ALL SAFETY MESSAGES AND UNDERSTAND ALL INSTRUCTIONS AND PROCEDURE *NOTICES* BEFORE ATTEMPTING TO INSTALL OR USE THIS PRODUCT.

⚠ WARNING ⚠

MOUNT WINCH USING ONLY QUADRATEC APPROVED MOUNTING PLATE. BUMPER/WINCH PLATE NOT INTENDED FOR WINCHES IN EXCESS OF 9500LBS. LOAD LIMITS FOR YOUR BUMPER/WINCH MAY BE LESS DEPENDING ON CONDITION OF YOUR VEHICLE AND ATTACHMENTS. FOLLOW ALL INSTRUCTIONS, LIMITATIONS & WARNINGS WITH YOUR VEHICLE, THIS PRODUCT, YOUR WINCH AND SAFE WINCHING PRACTICES SUPPLEMENT.

⚠ CAUTION ⚠

RISK OF EYE INJURY! SAFETY GLASSES MUST BE WORN AT ALL TIMES WHILE INSTALLING OR MAINTAINING THIS PRODUCT. TORQUE AND RECHECK FASTENERS AFTER 250 MILES AND FREQUENTLY THEREAFTER. INSPECT BUMPER, WINCH AND MOUNT BEFORE USE. DO NOT USE IF DAMAGED.

NOTICE

CHECK STATE AND LOCAL HIGHWAY SAFETY LAWS REGARDING PERMITTED BUMPER TYPES AND HEIGHTS.

PARTS LIST:

FRONT BUMPER - QTY 1

BUMPER SPACER PLATES - QTY 2

½" ZINC PLATED WASHERS - QTY 4

½"- 13 x 1 - ½" Grade 8 BOLTS - QTY 2

REQUIRED TOOLS:

SAFETY GLASSES

T55 TORX HEAD SOCKET

TORQUE WRENCH

Required Tools Note: Depending on what bumper you currently have on your Jeep® (factory or after-market) will determine exactly what wrench you will need to remove and install your new Quadratec bumper.

The T55 Torx wrench listed above is to remove and re-install factory bolts on a 97-06 Wrangler. Some Aftermarket bumpers use an oversized Phillips Head or bolt type head.



The Trusted Source

A Few Words About Product Safety:

Your Rock Crawler Front Bumper is intended to enhance the utility and enjoyment of your off road capable vehicle. Before installation, take a moment to review the following safety information

and installation instructions. Important safety information is generally preceded by one of three signal words indicating the relative risk of injury. The signal words mean:

⚠ WARNING ⚠	a hazardous situation which, if not avoided, could result in death or serious injury. You CAN be KILLED or SERIOUSLY HURT if you don't follow instructions.
⚠ CAUTION ⚠	a hazardous situation which, if not avoided, could result in minor or moderate injury. You CAN be moderately HURT and also may suffer property damage if you don't follow instructions.
NOTICE	Careful attention is required to this instruction or operation but does generally not relate to personal injury. Damage to your Quadratec® product or other property may result if you don't follow instructions.

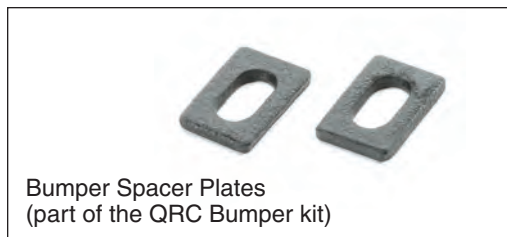
Before You Begin Installation:

Congratulations on your purchase of Quadratec Rock Crawler Front Bumper for your Jeep® Wrangler. This custom fit front Bumper has been designed for long life and a great look. Though constructed of only the finest materials, this Tube Bumper must be maintained to keep its look while performing under the toughest conditions. Please see page 5 for important care and maintenance tips to keep your bumper looking like new.

When unpacking, check to make sure all parts are included and not damaged due to shipping. If any part is missing or broken, please call Quadratec Customer Service at 800-745-6037 as soon as possible.

Thank you again for your purchase and let's start the installation process.

NOTICE	As you unpack your front bumper, be careful not to scratch the finish with a knife or razor. We suggest placing the unpacked bumper back into the original box so it does not get scratched before the installation begins. This bumper has a cut-out for a vehicle recovery winch. A separate Winch Mounting Plate is required for installation. If you do not have this winch plate, go to quadratec.com and order part #92122.2900. The instructions below call out in step number two when this winch plate will need to be installed.
---------------	--



The Trusted Source

Installation Step One:

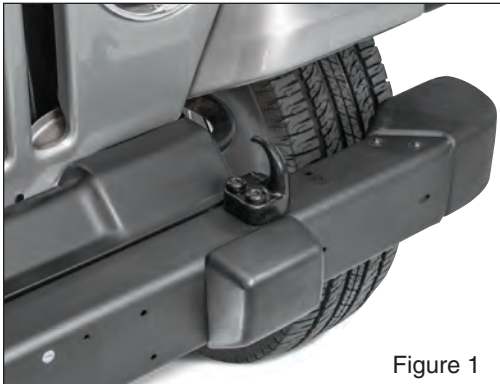


Figure 1



Figure 2

Step One: Removing Existing Bumper
Put on safety glasses. Locate the six factory bolts holding your existing bumper to the frame of your Jeep® (Fig 1). Using the proper tool/wrench, remove

the top and bottom bolts holding the bumper to the frame and put them in a safe place. These bolts will be used to re-install your tube bumper to your Jeep® (Fig 2).

NOTICE

For '87-'95 Wranglers equipped with factory front tow hooks, these will need to be removed and discarded. These tow hooks are not compatible with Tubular Bumpers. Original equipment hardware must be replaced with (2) ½" - 13 x 1 - ½" Grade 8 bumper bolts & washers for proper installation of bumper. These bolts & washers are included in this kit.

Installation Step Two:

Installing Front Tubular Bumper
As seen in Figure 3, Your Front Bumper has custom hole locations that allow it to fit many model year vehicles. Carefully line up the proper holes on the mounting tabs with the front holes of

the frame and locate on the bumper mounting tabs the proper holes to install your bumper. The bumper should be centered on the front of the vehicle and as close to the frame horns as possible (Fig 4).

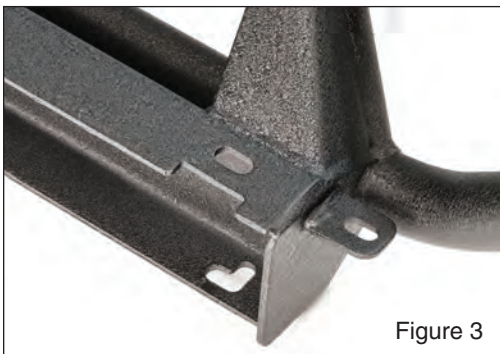


Figure 3

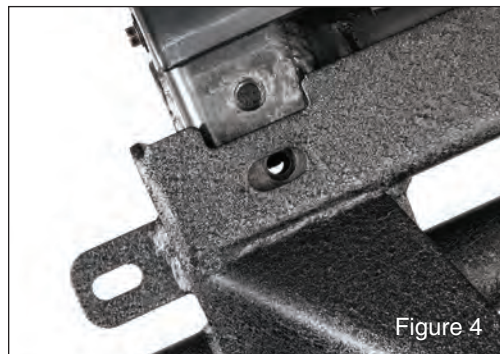


Figure 4



The Trusted Source

Installation Step Two (continued):

NOTICE

At this point if you plan on installing a winch plate (not included), now is the time to reference the winch plate instruction sheets for proper installation of the winch plate and winch. By reviewing this now, it will save you time and hassles in the future, as the winch plate and bumper should be installed simultaneously.



Place a spacer plate (Fig 5) on either side of the frame behind the bumper mounting tab. With bumper properly positioned, take an existing bolt and secure one side of the bumper to the frame. **DO NOT TIGHTEN**. Repeat the bolt install for bolt locations, top and



bottom. Loosely install all bolts before tightening any bolt. Starting on driver's side, alternate tightening each bolt, until all are tight making sure that the bumper is centered on the vehicle. Using a Torque Wrench, tighten the bolts to the following Torque Specifications:

NOTICE

Torque Specifications: Top and Bottom factory, frame mount to bumper bolts = 75 ft-Lbs

**Winch Mounting plate to winch if applicable = 32 ft-Lbs
(See winch plate instruction sheet)**



The Trusted Source

Bumper Care and Maintenance:

Your Bumper has been designed and manufactured to provide years of use. However, like any product, general maintenance is required to keep it looking new.

Since the bumper is located on the front of the vehicle, it is subject to potential rock chips and other debris potentially causing portions of the paint to chip off. We recommend using a textured or gloss black spray paint sprayed on a piece of cardboard and Q-Tip to gently fill in these chips. This will prevent any rust from forming.

On all bumpers there is a chance of some surface rust showing over time due to metal particles being embedded in the paint. This surface rust is easily removed by a non-abrasive cleaner/polish and a soft bristle brush (not a metal brush!).

For bumpers with a textured finish, wash only with soapy water and avoid other waxes and polishes.



Quadratec Rock Crawler Bumper shown
Installed with our Quadratec Q9000
Winch #92122.2000 (sold separately)



The Trusted Source

QuadraTop®



Key QuadraTop Features

1. Fabric: Tough 23 ounce mildew and UV resistant vinyl coated polyester and cotton fabric provides lasting durability and is backed by a limited three year warranty. QuadraTops are available in factory original colors and textures to keep your Jeep® looking showroom new!

2. Stitching: Our QuadraTop panels are sewn together with marine grade 135 gauge bonded Anafil® polyester thread that's super strong and UV protected. This rot resistant thread will provide years of worry free durability.

3. Seams: All exposed QuadraTop seams feature heat tape seals over double stitching to keep moisture out.

4. Windows: QuadraTops are available with your choice of zip out crystal clear windows or rear and quarter windows with a dark 31% tint keeping interiors much cooler in hot summer months. Our glass panels are 30mil thick and DOT approved for the ultimate in clarity and durability and feature leak proof heat seals. All windows are completely removable for open air enjoyment.

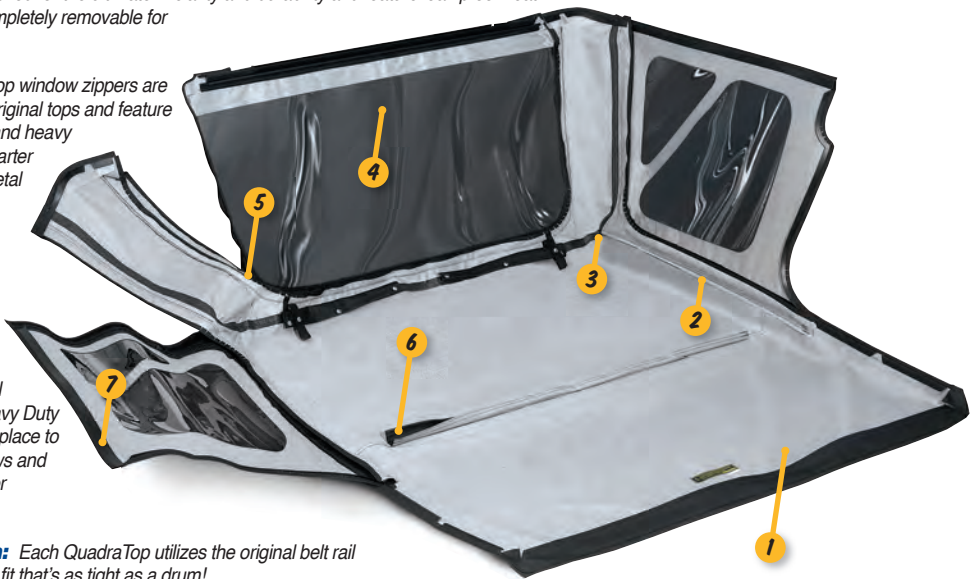


5. Zippers: QuadraTop window zippers are stitched in place like the original tops and feature jam resistant technology and heavy duty plastic teeth. Side quarter windows feature single metal pulls while the rear glass zippers have user friendly double pulls.

6. Hook & Loop Attachment: Our patterns are fully tested to ensure a tight and wrinkle free fit like the originals. All necessary snaps and Heavy Duty Hook & Loop strips are in place to install over the factory bows and there's never any drilling or modifications required!

7. Belt Rail System: Each QuadraTop utilizes the original belt rail attachment methods for a fit that's as tight as a drum!

8. Upper Door Skins: Our fabric upper doors install in just minutes onto your existing factory upper door frames by hook and loop fastener strips. It's quick and easy with our step by step illustrated instructions. Fabric upper doors have double sided weather strip bulb seals and double window zipper pulls. Note: Wranglers with half steel doors only feature clear upper door windows to meet federal and state requirements.



The Trusted Source

QuadraTop® Replacement Soft Tops

Affordable quality and durability with no compromises! Our top kits are designed to work with factory hardware and feature finer quality materials and workmanship along with the latest in manufacturing technologies for unprecedented value. Our new product team with decades of soft top knowledge and experience delivers you all the great features you want in a replacement top with unsurpassed customer service and support. Our QuadraTop is the best value in replacement soft tops compared to other tops costing hundreds more. If for any reason, you are not completely satisfied with your soft top purchase or have an installation question, please contact our professional customer support staff for a solution. All QuadraTops feature a limited Three year warranty against defects. The incredible fit & detailed instructions make installation as easy as... One, Two, Three!

Applications for YJ and TJ Wrangler Vehicles:

For '88-'95 Wrangler w/Upper Doors & Clear Windows #11000.00XX

For '88-'95 Wrangler w/Upper Doors & Tinted Windows #11000.01XX

▶ Colors: 09 · 15 · 17

For '97-'02 Wrangler w/Clear Windows #11000.02XX

For '97-'02 Wrangler w/Tinted Windows #11000.03XX

For '97-'02 Wrangler w/Upper Doors & Clear Windows #11000.04XX

For '97-'02 Wrangler w/Upper Doors & Tinted Windows #11000.05XX

▶ Colors: 15 · 17 · 33

For '03-'06 Wrangler w/Clear Windows #11000.0635

For '03-'06 Wrangler w/Tinted Windows #11000.0735

For '03-'06 Wrangler w/Upper Doors & Clear Windows #11000.0645

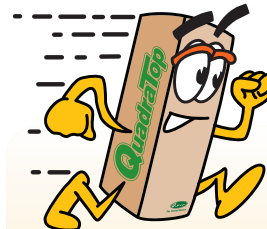
For '03-'06 Wrangler w/Upper Doors & Tinted Windows #11000.0745

▶ Colors: 35



**QUADRATOPS
START AT
\$299.99!**

to the RESCUE!



SAME DAY SHIPPING!*

**Factory Trained Soft Top
Advisors Always on Call!**



**AFFORDABLE
QUALITY
WITH NO COMPROMISES!**



Due to the limitations of printing, all color samples shown in this catalog are close approximations only.



*Order an In Stock New QuadraTop Soft Top for Delivery in the Lower 48 States Before 4pm Eastern Standard Time, and It'll Ship UPS Ground the Same Day. Ground Shipments take between 1-7 Business Days to Deliver. Need Your Top Faster? Expedited Shipping Options are Available with a UPS Air Freight Surcharge.



The Trusted Source

Quadrtec® Exclusive Three Year Limited Warranty

Your Quadrtec® branded accessories are covered by the following **Limited Warranty** provided exclusively by Quadrtec, Inc., 1028 Saunders Lane, West Chester PA 19380.

This **Limited Warranty** is the only warranty made in connection with your purchase. Quadrtec neither assumes nor authorizes any vendor, retailer or other person or entity to assume for it any other obligation or liability in connection with this product or **Limited Warranty**. This **Limited Warranty** does not apply and is not cumulative to any accessory or part distributed by Quadrtec for which the Manufacturer provides a separate written warranty.

What is Covered: Subject to the terms, exclusions and limitations herein and with respect only to Quadrtec branded accessories first sold in the United States, Quadrtec warrants to the initial retail purchaser only that your Quadrtec accessory shall be free of defects in material and workmanship: **for a period of three (3) years from date of retail purchase.**

This **Limited Warranty** is not assignable and shall terminate upon sale of the vehicle upon which the Quadrtec accessory is installed or other transfer third persons.

All other warranties are hereby disclaimed, except to the extent prohibited by applicable law in which case any implied warranty of merchantability or fitness for a particular purpose on this product is limited to 3 year from date of initial retail sale. Quadrtec reserves the rights to: (a.) require invoice or other proof your accessory is within the terms of this **Limited Warranty** as a condition of warranty service and, (b.) make future revisions to this product and **Limited Warranty** without prior notice or obligation to upgrade your product.

What is Not Covered:

Your Quadrtec **Limited Warranty** does not cover products or parts Quadrtec determines to have been damaged by or subjected to:

(a.) installation damage, alteration, modification, combination with other parts, failure to maintain or improper repair or service, (b.) normal wear & tear, cosmetic damage or damage from moisture or water immersion, (c.) Acts of God, accidents, misuse, negligence, inadequate mounting or impact with vehicle(s), obstacles or other aspects of the environment, (d.) theft, vandalism or other intentional damage.

Remedy Limited to Repair/Replacement:

The exclusive remedy provided hereunder shall, upon Quadrtec inspection and at Quadrtec's option, be either repair or replacement of product or parts (new or refurbished) covered under this Limited Warranty. Customers requesting warranty consideration should first contact Quadrtec to obtain a RGA number (610-701-3336). All labor, removal, shipping and installation costs are customer's responsibility.

Other Limitations - Exclusion of Damages - Your Rights Under State Law:

In consideration of the purchase price paid, neither Quadrtec nor any independent Quadrtec distributor/licensee are responsible for any time loss, rental costs, or for any incidental, consequential, punitive or other damages you may have or incur in connection with any part or product purchased. Your exclusive remedy hereunder for covered parts is repair/replacement as described above.

This **Limited Warranty** gives you specific rights. You may also have other rights that vary from state to state. For example, some states do not allow limitations of how long an implied warranty lasts and /or do not allow the exclusion or limitation of incidental or consequential damages, so the limitations and exclusions herein may not apply to you.

©Quadrtec, Inc. 2013. All Rights Reserved.

Part #12999.3001



The Trusted Source