

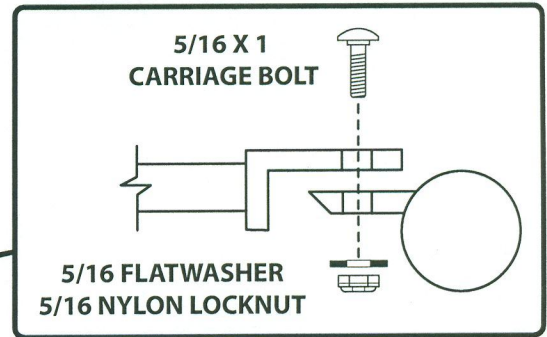
PARTS LIST

- 1 - ADVENTURE RACK LADDER
- 1 - CONNECTING BRACKET
- 5 - 5/16 X 1 CARRIAGE BOLTS
- 5 - 5/16 FLATWASHERS
- 5 - 5/16 NYLON LOCKNUTS
- 2 - 1" BLACK PLASTIC PLUGS

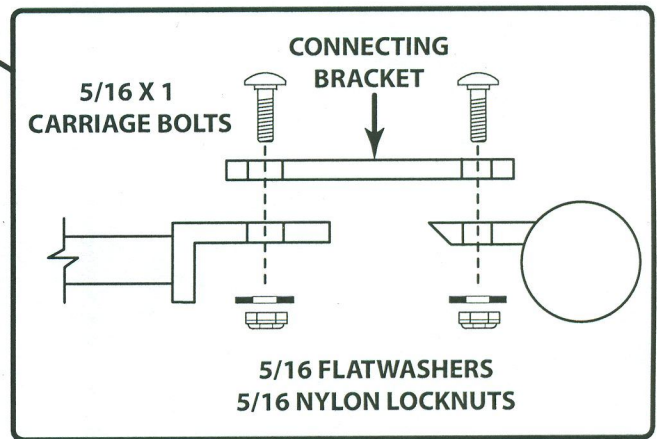
INSTALLATION INSTRUCTIONS

- 1 - LEAVE ALL FASTENERS LOOSE FOR EASIER INSTALLATION
- 2 - INSTALL LADDER TO ADVENTURE RACK AS SHOWN
- 3 - ALIGN LADDER AND TIGHTEN ALL FASTENERS

REAR MOUNT



FRONT MOUNTING



LOWER MOUNTING

