

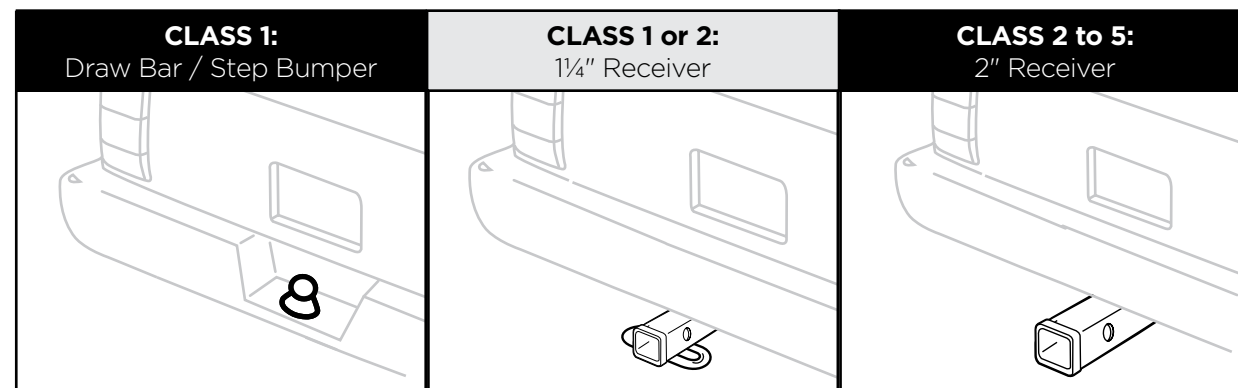
Hitch Type & Compatibility

The following guide will help you select the best hitch rack for your specific vehicle dimensions and carrying needs.

2 What class is my hitch?

- Check the sticker on your hitch to determine its class.
- If there is no sticker you can still find the perfect hitch rack that will fit your car. If your receiver is 1.25" it is either a Class I* or II, if it's 2" it is a Class II - V. Choose a hitch rack that fits your receiver and then double-check the "Hitch Fit Tips" beginning on page 464 to ensure the proper fit.

*Combination of hitch rack and bicycles loaded weight should not exceed the tongue weight specified by the vehicle and/or hitch receiver manufacturer. Class I receivers are limited to a maximum of 2 bikes.



3 Determine what style hitch rack you want



Holds bikes by the wheels and accommodates any frame style, including downhill mountain bikes.

Capacity: 2 or 4 bikes

Holds bikes by the frame and allows rear-of-vehicle access when fully loaded.

Capacity: 4 bikes

Holds bikes by the frame and tilts down to allow rear-of-vehicle access.

Capacity: 2, 3, 4 or 5 bikes



On certain size bumpers and tailgates, some hitch racks may interfere with the opening of the tailgate. Check clearance by tilting the hitch rack down and lowering the tailgate carefully the first time.

4 Choose your hitch rack

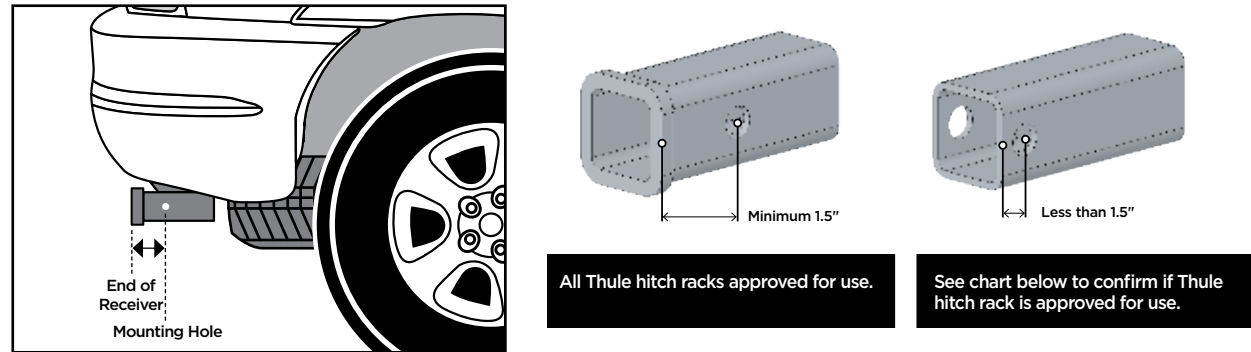
Hitch Rack	Receiver	Hitch Class			Max. Capacity	Max. Weight (lbs)
		I 1.25" hitch with stop	II 1.25" hitch no stop	III/IV 2" hitch		
PLATFORM						
EasyFold XT						
903202	1.25"/2"	✓	✓	✓	2 Bikes	130
T2 Pro XT						
9034XT	2"			✓	2 Bikes	120
9035XT	1.25"	✓	✓		2 Bikes	100
9034XT+9036XT	2"			✓	4 Bikes	160
Helium Platform						
9039	1.25"/2"	✓	✓	✓	1 bike	37.5
9040	1.25"/2"	✓	✓	✓	2 bike	75
T2 Classic						
9044	2"			✓	2 Bikes	120
9045	1.25"	✓	✓		2 Bikes	100
9044+9046	2"			✓	4 Bikes	160
T1						
9041	1.25"/2"	✓	✓	✓	1 bike	60
Doubletrack Pro						
9054	1.25"/2"	✓	✓	✓	2 Bikes	75
SWING						
Apex Swing / Apex XT Swing						
9027, 9027XT	2"			✓	4 Bikes	150
Vertex XT Swing						
9031XT	2"			✓	4 Bikes	150
TILT						
Helium Pro						
9042Pro	1.25"/2"	✓	✓	✓	2 Bikes	75
9043Pro	1.25"/2"	2 bike max	✓	✓	3 bikes	112.5
Helium Aero						
9042	1.25"/2"	✓	✓	✓	2 Bikes	70
9043	1.25"/2"	2 bike max	✓	✓	3 bikes	105
Apex / Apex XT						
9024XT	1.25"/2"	✓	✓	✓	2 Bikes	75
9025, 9025XT	1.25"/2"	2 bike max	✓	✓	4 Bikes	150
9026, 9026XT	1.25"/2"			✓	5 bike	150
Vertex XT						
9028XT	1.25"/2"	✓	✓	✓	2 Bikes	70
9029XT	1.25"/2"	2 bike max	✓	✓	4 Bikes	140
9030XT	1.25"/2"			✓	5 bike	150
Camber						
9058	1.25"/2"	✓	✓	✓	2 Bikes	75
9056	1.25"/2"	2 bike max	✓	✓	4 Bikes	150
Range						
9057	2"			✓	4 Bikes	150
Parkway						
956	2"			✓	4 bikes	140
957	1 1/4"	2 bike Max	✓	✓	4 bikes	105
958	2"			✓	2 bikes	70

Class I receivers have a maximum capacity of two (2) bikes.

Hitch Fit Tips

1 Check your pin hole depth

There are a small number of receiver hitches on the market that have a distance of less than 1.5 inches from the center of the hitch pin hole to the face of the receiver. For both safety and performance, Thule requires this distance to be as shown per the table below.



*Thule has specifically tested the following Subaru receiver hitches and approved them for use with Thule Vertex 2 Bike 9028/9028XT bike carriers only.

- Subaru XV Crosstrek Receiver – L1010FJ610
- Subaru Forester Receiver – L1010SG610

Hitch Rack	Pin Hole Depth Requirement
T2 Pro / T2 Pro XT	
9034/9034XT	1.125"
9035/9035XT	1.5"
9034XT + 9036XT	1.5"
Helium Platform	
9039/9040	1.5"
T2 Classic	
9044	1.5"
9045	1.5"
9044 + 9046	1.5"
T1	
9041	1.5"
Doubletrack / Doubletrack Pro	
990XT/9054	1.5"
EasyFold XT	
903202	1.5"

Hitch Rack	Pin Hole Depth Requirement
SWING	
Apex Swing / Apex XT Swing	
9027/9027XT	1.5"
Vertex Swing	
9031XT	1.5"
Helium Aero / Helium Pro	
9042/9043	1.5"
9042Pro/9043Pro	1.5"
Apex / Apex XT	
9025/9026	1.5"
9024XT/9025XT/9026XT	1.5"
TILT	
Vertex	
9028XT/9029XT/9030XT	1.5"
Camber	
9056/9058	1.5"
Range	
5057	1.5"
Parkway	
956, 958	1.5"
957	1.5"

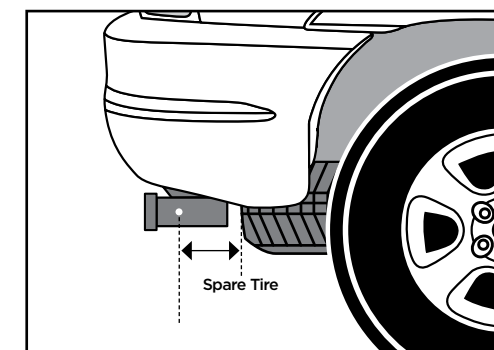
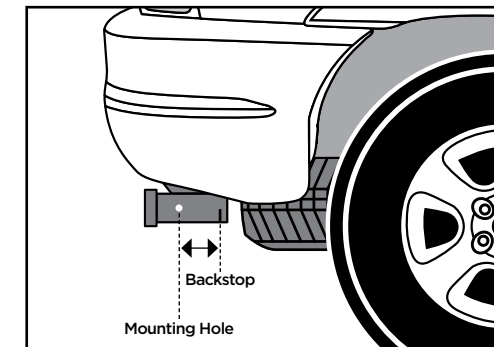
2 Check your Receiver Depth

To ensure proper fit, it's important to know the depth of your receiver. Determine this by doing the following:

- With a ruler inserted in the receiver, measure from the center of the hitch mounting hole to the point where you make contact with an obstacle. **This is your Receiver Depth.**
- If you do not contact a back-stop or your hitch receiver does not have a backstop, another potential point of contact could be an undercarriage-mounted spare tire or the undercarriage itself.
- Using the table in the next page, compare your measurement to see which hitch racks will work with your vehicle.

Your Receiver Depth must be equal to or greater than the product measurement listed in the table for a proper fit.

Receiver Depth



Hitch Rack	Receiver Depth
EasyFold XT	
903202	1.4"
Helium Platform	
9039	2.3"
9040	2.3"
T2 Pro XT	
9034XT	2.5"
9035XT	1.4"
9034XT+9036XT	2.5"
T2 Classic	
9044	2.6"
9045	1.4"
9044+9046	2.6"
T1	
9041	1.5"
DoubleTrack Pro	
9054	1.5"
SWING	
Apex Swing, Apex XT Swing	
9027, 9027XT	2.5"
Vertex XT Swing	
9031XT	2.5"
TILT	
Helium Pro	
9042PRO, 9043PRO	1.4"
Helium Aero	
9042, 9043	1.4"
Apex / Apex XT	
9024XT	1.4"
9025/9025XT	1.4"
9026/9026XT	1.4"
Vertex XT	
9028XT/9029XT/9030XT	1.4"
Camber	
9058/9056	1.5"
Range	
9057	2.4"
Parkway	
956/958	2.5"
957	1.4"

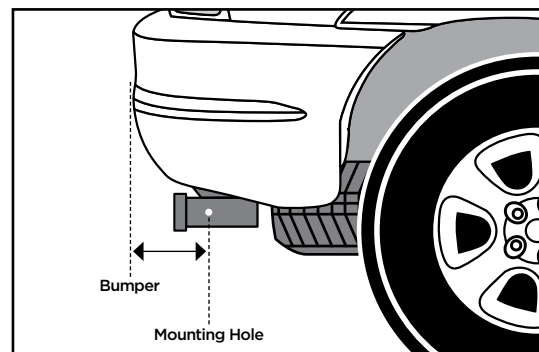
Hitch Fit Tips

3 Check your Bumper Clearance

Make sure your bumper will not interfere with the Thule hitch rack. Measure the distance from the center of the mounting hole on your hitch to the end of your bumper. **This is your Bumper Clearance.**

Your Bumper Clearance must be equal to or less than the product measurement listed in the table for a proper fit.

Bumper Clearance



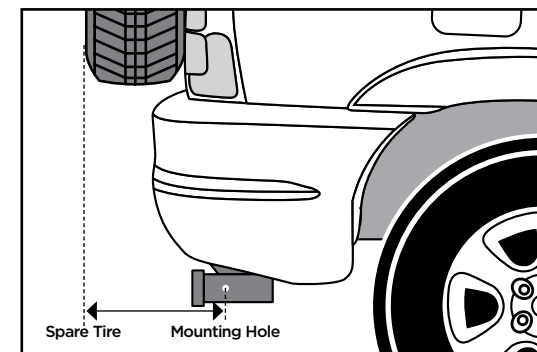
	Hitch Rack	Bumper Clearance
PLATFORM	EasyFold XT	
	903202	9.5"
	T2 Pro XT	
	9034XT	6.3"
	9035XT	6.3"
	9034XT+9036XT	6.3"
	Helium Platform	
	9039	3"
	9040	3"
	T2 Classic	
	9044	4.5"
	9045	3.5"
9044+9046	4.5"	
T1		
9041	6.5"	
DoubleTrack Pro		
9054	6.0"	
SWING	Apex Swing, Apex XT Swing	
	9027/9027XT	7.3"
	Vertex XT Swing	
9031XT	9.0"	
TILT	Helium Pro	
	9042Pro/9043Pro	10.8"
	Helium Aero	
	9042/9043	10.8"
	Apex / Apex XT	
	9024XT	7.0"
	9025/9025XT	7.0"
	9026/9026XT	7.0"
	Vertex XT	
	9028XT/9029XT/9030XT	6.3"
	Camber	
	9058/9056	5.3"
	Range	
	9057	5.4"
	Parkway	
956/958	5.3"	
957	10"	

4 Check your Spare Tire Clearance

If you have a spare tire on the back of your vehicle it may interfere with the installation of your Thule hitch rack. Measure the distance from the center of the mounting hole on your hitch receiver to the end of your spare tire. **This is your Spare Tire Clearance.**

Your Spare Tire Clearance must be equal to or less than the product measurement listed in the table for a proper fit.

Spare Tire Clearance

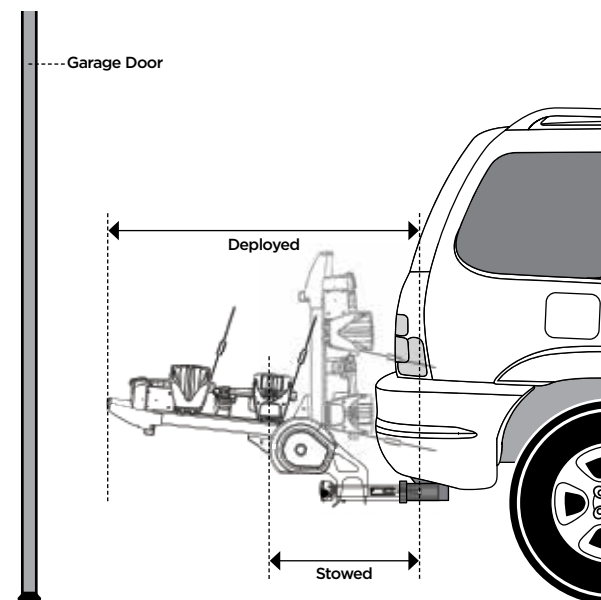


	Hitch Rack	Stowed Spare Tire Clearance	In-Use Spare Tire Clearance
PLATFORM	EasyFold XT		
	903202	12.0"	12.0"
	T2 Pro XT		
	9034XT	6.3"	20.5"
	9035XT	6.3"	20.5"
	9034XT+9036XT	6.3"	20.5"
	Helium Platform		
	9039	n/a	11.0"
	9040	n/a	11.0"
	T2 Classic		
	9044	3.5"	20.0"
	9045	3.5"	20.0"
9044+9046	2.5"	20.0"	
T1			
9041	6.0"	19.3"	
DoubleTrack Pro			
9054	6.0"	6.0"	
SWING	Apex Swing, Apex XT Swing		
	9027/9027XT	8.8"	8.8"
	Vertex XT Swing		
9031XT	9.0"	9.0"	
TILT	Helium Pro		
	9042Pro/9043Pro	13.3"	13.3"
	Helium Aero		
	9042/9043	13.3"	13.3"
	Apex / Apex XT		
	9024XT	10.3"	10.3"
	9025/9025XT	10.3"	10.3"
	9026/9026XT	10.3"	10.3"
	Vertex XT		
	9028XT/9029XT/9030XT	8.5"	8.5"
	Camber		
	9058/9056	7.3"	7.3"
	Range		
	9057	6.9"	6.9"
	Parkway		
956/958	9.5"	9.5"	
957	13.5"	13.5"	

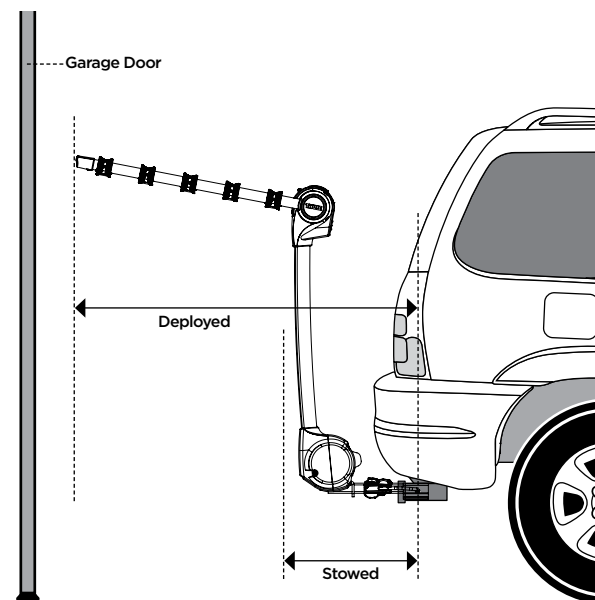
5 Check Garage Clearance

If you will be parking your vehicle in a garage with the rack mounted, you can use these measurements to help you determine if there will be any interference issues with fitting your vehicle into your garage space with the rack in the stowed position or deployed position.

Garage Clearance – Platform Models



Garage Clearance – Swing & Tilt Models



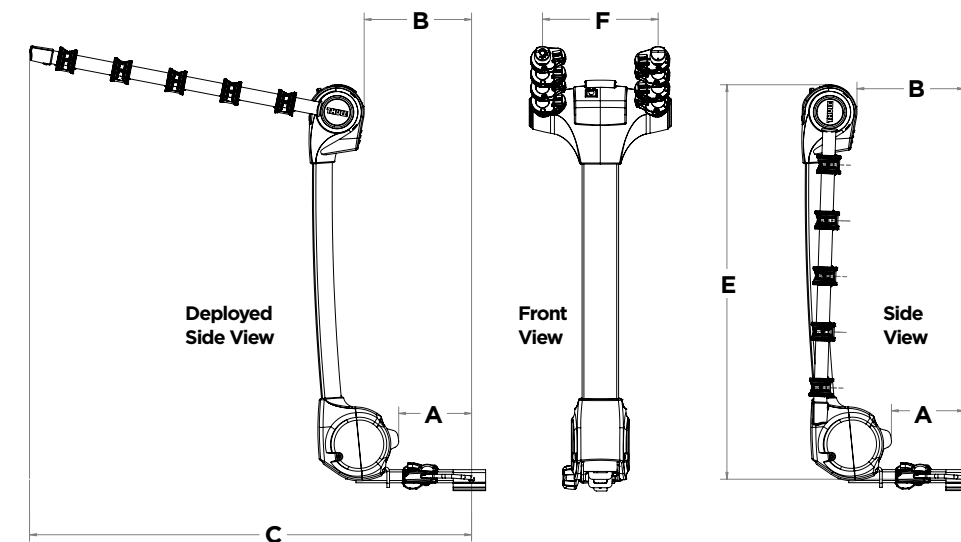
	Hitch Rack	Stowed Clearance	Deployed Clearance
PLATFORM	T2 Pro XT		
	9034XT	20.5"	41.5"
	9035XT	20.5"	41.5"
	9034XT+9036XT	20.5"	60.1"
	T1		
	9041	14.3"	28.5"
	T2 Classic		
	9044	16.3"	35.3"
	9045	16.3"	34.3"
	9044+9046	16.3"	55.0"
	DoubleTrack Pro		
	9054	14.5"	33"
	Helium Platform		
	9039	13.5"	20.8"
9040	13.5"	30.7"	
EasyFold XT			
903202	32"	32"	
SWING	Apex Swing, Apex XT Swing		
	9027, 9027XT	15.2"	42.2"
	Vertex XT Swing		
9031XT	16.3"	39.4"	

	Hitch Rack	Stowed Clearance	Deployed Clearance
TILT	Helium Aero		
	9042	21.1"	32.6"
	9043	21.1"	37.9"
	Helium Pro		
	9042PRO	20.7"	32.0"
	9043PRO	21.9"	39.0"
	Apex / Apex XT		
	9024XT	14.7"	28.2"
	9025, 9025XT	14.7"	38.1"
	9026, 9026XT	14.7"	42.1"
	Vertex XT		
	9028XT	14.0"	29.3"
	9029XT	14.0"	37.4"
	9030XT	14.0"	41.4"
Parkway			
956	N/A	34.5"	
957	N/A	38.5"	
958	N/A	28.5"	
Camber			
9058	14.8"	28.3"	
9056	14.8"	42.2"	
Range			
9057	14.4"	42.0"	

Hitch Dimensions

Though we design our hitch-mounted bike carriers to be as universal as possible, all vehicles are designed differently. These diagrams have been designed to help you better understand the "room" our hitch-mounted bike racks need to function properly.

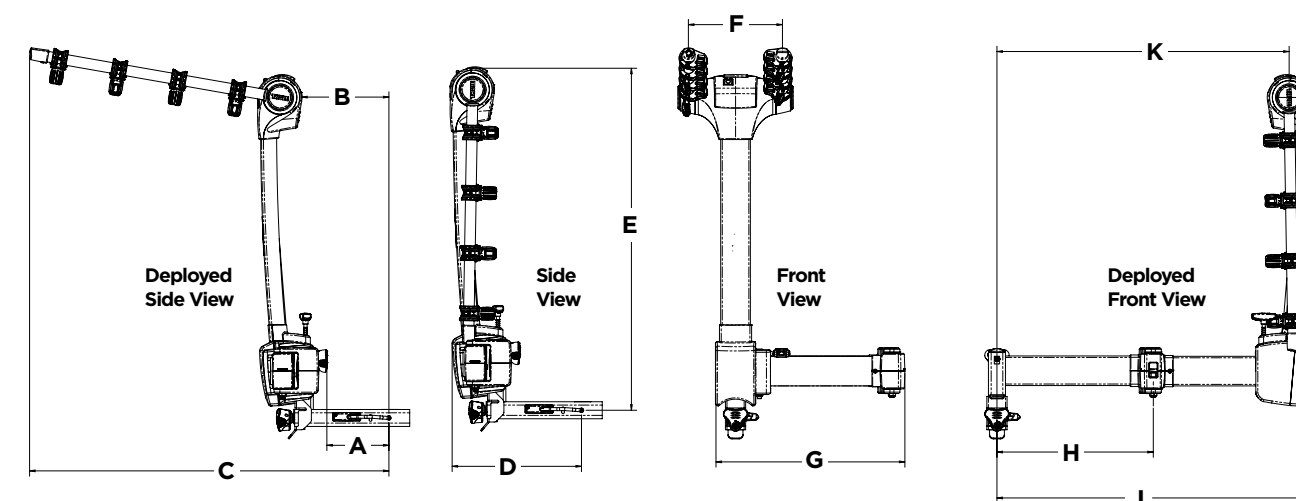
Tilt Hitch Racks



MODEL	A	B	C	D	E	F
9042PRO	10.8"	13.2"	32"	20.7"	37.3"	11"
9043PRO	10.8"	13.2"	39"	21.9"	37.3"	11"
9042	10.8"	13.2"	32.5"	21.9"	37.3"	11"
9043	10.8"	13.2"	37.9"	21.9"	37.3"	11"
9024XT	7"	9.3"	28.2"	15.4"	37"	11"
9025	7"	9.3"	42.1"	15.4"	37"	11"
9025XT	7"	9.3"	42.1"	15.4"	37"	11"
9026	7"	9.3"	42.1"	15.4"	37"	11"
9026XT	7"	9.3"	42.1"	15.4"	37"	11"
9025	7"	9.3"	38.1"	14.7"	37"	11"

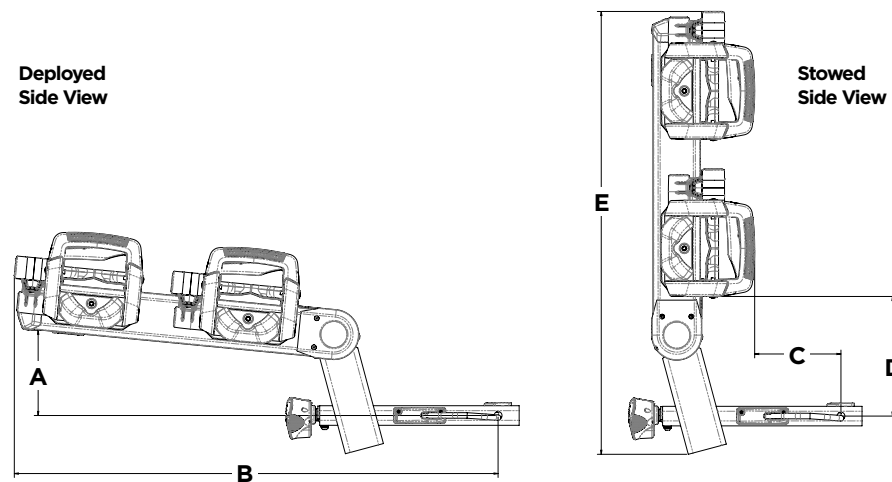
MODEL	A	B	C	D	E	F
9026	7"	9.3"	42.1"	14.7"	37"	11"
9028XT	6.25"	8.5"	29.25"	13.9"	37"	11"
9029XT	6.25"	8.5"	37.4"	13.9"	37"	11"
9030XT	6.25"	8.5"	41.4"	13.9"	37"	11"
9058	5.3"	6.7"	28.3"	14.8"	35.6"	11"
9056	5.3"	6.7"	42.2"	14.8"	35.6"	11"
9057	8.5"	6.3"	42.1"	14.8"	35.6"	11"
956	5.25"	9.5"	34.5"	n/a	34.5"	11"
957	10"	13.5"	38.5"	n/a	34.5"	11"
958	5.25"	9.5"	26.5"	n/a	34"	11"

Swing Away Hitch Racks



MODEL	A	B	C	D	E	F	G	H	J	K
9027XT	7.3"	10.3"	42.2"	15.2"	40.2"	11.1"	22.2"	18.4"	36.7"	34.3"
9027	7.2"	8.8"	37.6"	14.5"	37.5"	11"	21.4"	21.4"	31"	34.3"
9031XT	9"	10.5"	39.4"	16.25"	37.2"	11"	21.4"	21.4"	31"	34.3"

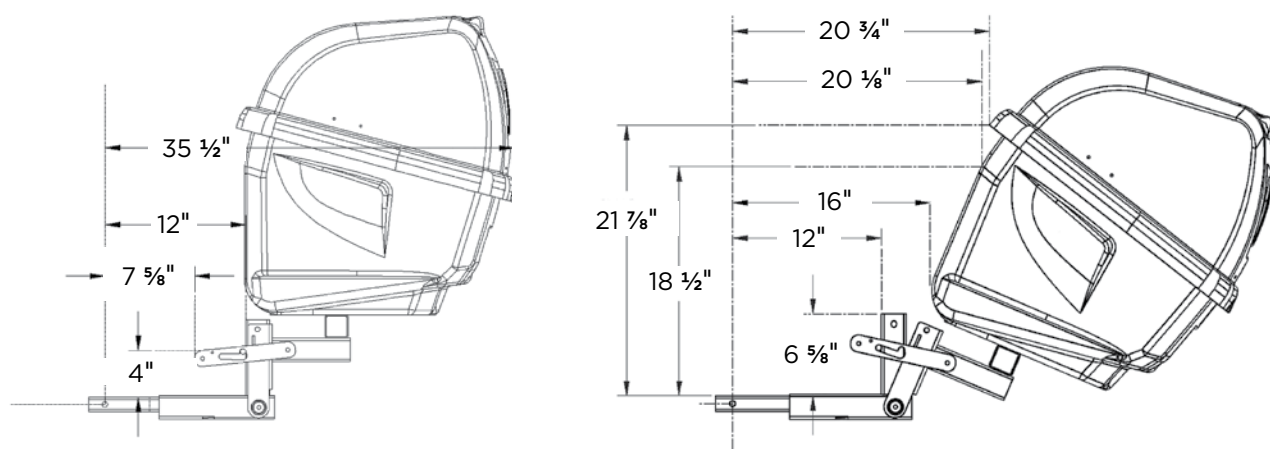
Platform Hitch Racks



MODEL	A	B	C	D	E
903202	6"	32"	9.5"	n/a	32"
9039	4.5"	20.8"	5.5"	7.6"	17.8"
9040	5.4"	30.7"	5.5"	7.6"	28.1"
9034XT	7.6"	41.5"	6.25"	7.9"	33.8"
9035XT	7.9"	41.5"	6.25"	7.9"	33.8"
9034XT + 9036XT	9.6"	60.1"	6.26"	7.9"	52.5"

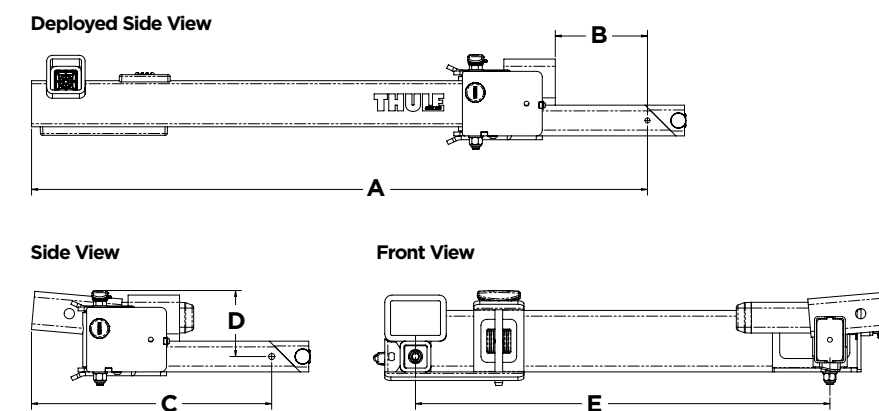
MODEL	A	B	C	D	E
9044	6.4"	35.3"	4.5"	8.9"	29.25"
9045	7.9"	34.3"	3.5"	10.4"	28"
9044 + 9046	7.9"	55"	4.5"	8.9"	49"
9041	4.5"	28.5"	3.5"	15.3"	26.5"
9054	5"	33.9"	5.8"	14.25"	30.6"

Hitch Cargo Carrier



Product name	Transporter Combi 665C	Interior length	47" / 119 cm
Cargo volume	13 cu. ft. / 368 L	Interior width	21.5" / 55 cm
Weight limit (including weight of box)	150 lbs. / 68 kg	Interior height	22.5" / 57 cm
Minutes to install	10	Part number / Color	665C / black
Exterior dimensions L x W x H	50.5 x 23.5 x 24.5" 128 x 60 x 62 cm	Fits 1 1/4" and 2" Receiver Hitches (Class II and above)	Y

Thule Access 9037



MODEL	A	B	C	D	E
9037	40.1"	6.0"	15.6"	4.3"	27.0"

Thule Tram 9033

- Due to structural differences in spare tire mounting positions, only 4 pair skis or 4 snowboards can be carried on the 9033 when using 963PRO or older 963 versions.
- Binding height may limit some skis to be mounted as a single ski, limiting capacity to 3 pair skis on the 9033.
- Requires Thule hitch or spare tire carrier for use. Cannot be used with Helium models 970XT, 971XT, 9042, 9043, 9042Pro, 9043Pro.



Rack	Receiver	Maximum Capacity
9058 Camber	2"	6 pair skis / 4 snowboards (class 2-4)
9058 Camber	1.25"	4 pair skis / 2 snowboards (class 1-2)
9056 Camber	2"	6 pair skis / 4 snowboards (class 2-4)
9056 Camber	1.25"	4 pair skis / 2 snowboards (class 1-2)
9057 Range	2"	6 pair skis / 4 snowboards (class 2-4)
956 Parkway	2"	6 pair skis / 4 snowboards (class 2-4)
957 Parkway	1.25"	4 pair skis / 2 snowboards (class 1-2)
958 Parkway	2"	6 pair skis / 4 snowboards (class 2-4)
9024XT Apex	2"	6 pair skis / 4 snowboards (class 2-4)
9024XT Apex	1.25"	4 pair skis / 2 snowboards (class 1-2)
9025XT / 9025 Apex	2"	6 pair skis / 4 snowboards (class 2-4)
9025XT / 9025 Apex	1.25"	4 pair skis / 2 snowboards (class 1-2)

Rack	Receiver	Maximum Capacity
9026XT / 9026 Apex	2"	6 pair skis / 4 snowboards (class 2-4)
9027XT / 9027 Apex Swing	2"	6 pair skis / 4 snowboards (class 2-4)
9028XT Vertex	2"	6 pair skis / 4 snowboards (class 2-4)
9028XT Vertex	1.25"	4 pair skis / 2 snowboards (class 1-2)
9029XT Vertex	2"	6 pair skis / 4 snowboards (class 2-4)
9029XT Vertex	1.25"	4 pair skis / 2 snowboards (class 1-2)
9030XT Vertex	2"	6 pair skis / 4 snowboards (class 2-4)
9031XT Vertex Swing	2"	6 pair skis / 4 snowboards (class 2-4)
9042PRO / 9042 Helium	1.25"/ 2"	NO FIT
9043PRO / 9043 Helium	1.25"/ 2"	NO FIT
963PRO SpareMe	N/A	4 pair skis / 2 snowboards (class 1-2)