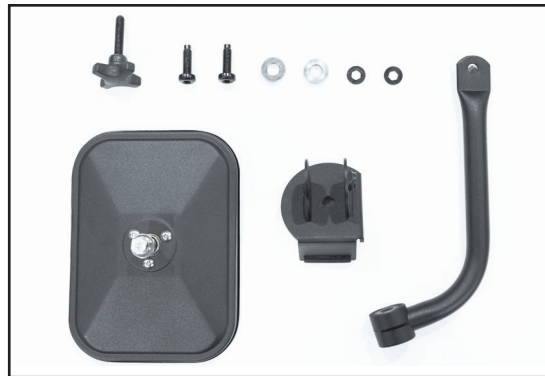
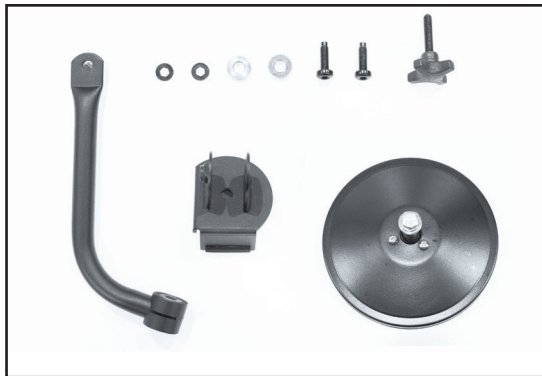


Quadratec® Quick Release Mirrors

Installation Manual: For Jeep Wranglers JL/JT
#13111-0440 (Round Head) #13111-0441 (Rectangle Head)



KIT CONTENT LIST:

- Mirror Heads & Hardware (x2)
- RH Mirror Arms, Brackets, Bushings, Adjustment Knob (x1)
- LH Mirror Arms, Brackets, Bushings, Adjustment Knob (x1)
- M8 Torx Head Bolt (x2)
- M8 Plastic Washer (x2)
- Steel Spacers (x2)
- Foam Pads (x2)

REQUIRED TOOLS:

- Safety Glasses
- T40 Torx Bit & Ratchet
- 12MM Wrench
- Phillips Head Screwdriver

A FEW WORDS ABOUT PRODUCT SAFETY:

Your Quadratec product is intended to enhance the utility and enjoyment of your off road capable vehicle. Follow safety information and installation recommendations. Throughout these instructions is important safety information that is generally preceded by one of three signal words indicating the relative risk of injury, property damage or adverse consequence.

The signal words mean:

! WARNING !

TO REDUCE RISK OF SERIOUS INJURY OR PROPERTY DAMAGE: READ ALL SAFETY MESSAGES AND UNDERSTAND ALL INSTRUCTIONS AND PROCEDURE NOTICES BEFORE ATTEMPTING TO INSTALL OR USE THIS PRODUCT.

! CAUTION !

A HAZARDOUS SITUATION WHICH, IF NOT AVOIDED, COULD RESULT IN A MINOR OR MODERATE INJURY. YOU CAN BE MODERATELY HURT AND ALSO MAY SUFFER PROPERTY DAMAGE IF YOU DON'T FOLLOW INSTRUCTIONS.

NOTICE

CAREFUL ATTENTION IS REQUIRED TO THIS INSTRUCTION OR OPERATION BUT GENERALLY DOES NOT RELATE TO PERSONAL INJURY. DAMAGE TO YOUR QUADRATEC® PRODUCT OR OTHER PROPERTY MAY RESULT IF YOU DON'T FOLLOW INSTRUCTIONS.

BEFORE YOU BEGIN INSTALLATION:

Congratulations on your purchase of Quadratec® Quick Release Mirrors for your Jeep® Wrangler. This product has been designed for protection, long life, and great looks. When unpacking, check to make sure all parts are included and not damaged due to shipping. If any part is missing or broken, please call Customer Service at 800-745-6037 as soon as possible. Thank you again for your purchase and let's start the installation process.

! CAUTION !

READ ALL SAFETY MESSAGES AND ALWAYS WEAR SAFETY GLASSES WHEN WORKING WITH TOOLS.

! WARNING !

TO REDUCE RISK OF SERIOUS INJURY OR PROPERTY DAMAGE: READ ALL SAFETY MESSAGES AND UNDERSTAND ALL INSTRUCTIONS AND PROCEDURE NOTICES BEFORE ATTEMPTING TO INSTALL OR USE THIS PRODUCT.

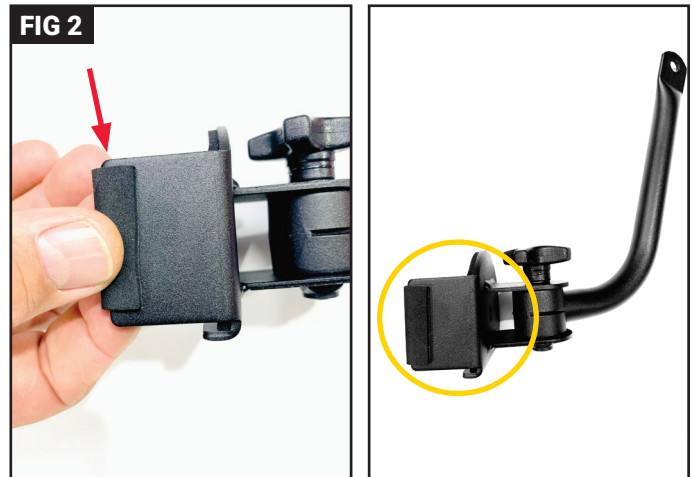
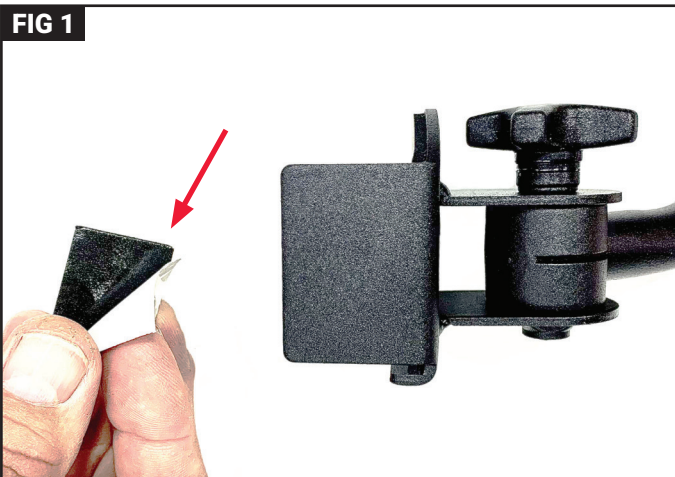
! CAUTION !

RISK OF EYE INJURY! SAFETY GLASSES MUST BE WORN AT ALL TIMES WHILE INSTALLING OR MAINTAINING THIS PRODUCT.

NOTICE

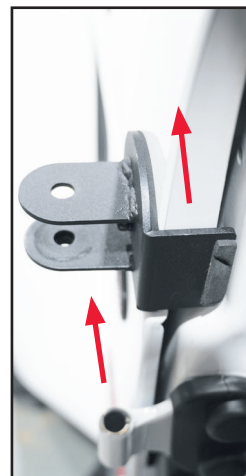
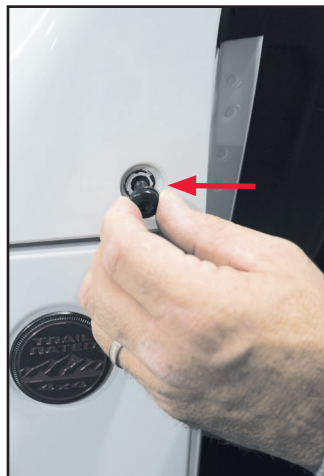
IT IS NOT NECESSARY TO REMOVE THE FRONT DOORS TO INSTALL THE MIRRORS, BUT ADJUSTING THE MIRRORS WILL BE MUCH EASIER IF THE DOORS ARE REMOVED.

STEP 1 - MIRROR PREPERATION



Put on safety glasses. Peel back the adhesive cover of the foam pad. (Fig 1) Apply the foam pad as shown in (Fig 2). Repeat the step for the other mirror arm.

STEP 2 - ASSEMBLY



It is not necessary to remove the front doors to install the mirrors, but adjusting the mirrors will be much easier if the doors are removed. Remove the Torx bolt using a T40 Torx bit driver or Ratchet. (Fig 3) Place one steel spacer as shown. Align the bracket to the inner A-pillar and push the bracket towards the front of the vehicle. Use one Torx bolt, one plastic washer and tighten the bracket with a T40 Torx bit or ratchet. (Fig 4)

STEP 3



Place one mirror arm into the bracket. Attach one adjustment knob through the bushing on the mirror arm. (Fig 5) Remove the hardware attached to the mirror. Place one bolt, one lock washer and one flat washer through the top of the mirror arm followed by the second flat washer on the other side of the arm. (Fig 6)

STEP 4



Thread one M8 bolt into the mirror mount through the mirror arm. (Fig 7) Tighten the bolt to the mirror through the top arm using a 12mm wrench. (Fig 8)

STEP 5



Adjust the mirror to the desired position using a phillips head screwdriver. **DO NOT OVER TIGHTEN** phillips head screws. The mirror should not be so tight that it cannot be adjusted. (Fig 9) Installation is now complete. Repeat steps 1 through 4 for the other side. (Fig 10)

STEP 6 - REMOVING THE MIRROR



To remove the mirror, loosen the adjustable knob from the bracket. Remove the knob and the mirror. Store the mirror in a safe place. (Fig 11)

STEP 7

Attach the adjustable knob into the bracket and tighten. It is optional to leave the mirror bushing attached to the bracket. (Fig 12)



Quadratec® Exclusive Three Year Limited Warranty

Your Quadratec® branded accessories are covered by the following Limited Warranty provided exclusively by Quadratec, Inc., 1028 Saunders Lane, West Chester PA 19380.

This **Limited Warranty** is the only warranty made in connection with your purchase. Quadratec neither assumes nor authorizes any vendor, retailer or other person or entity to assume for it any other obligation or liability in connection with this product or Limited Warranty. This Limited Warranty does not apply and is not cumulative to any accessory or part distributed by Quadratec for which the Manufacturer provides a separate written warranty.

What is Covered:

Subject to the terms, exclusions and limitations herein and with respect only to Quadratec branded accessories first sold in the United States, Quadratec warrants to the initial retail purchaser only that your Quadratec accessory shall be free of defects in material and workmanship: for a period of three (3) years from date of retail purchase.

This **Limited Warranty** is not assignable and shall terminate upon sale of the vehicle upon which the Quadratec accessory is installed or other transfer to third persons.

All other warranties are hereby disclaimed, except to the extent prohibited by applicable law in which case any implied warranty of merchantability or fitness for a particular purpose on this product is limited to three (3) years from date of initial retail sale. Quadratec reserves the rights to: **(a.) require invoice or other proof your accessory is within the terms of this Limited Warranty as a condition of warranty service and, (b.) make future revisions to this product and Limited Warranty without prior notice or obligation to upgrade your product.**

What is Not Covered:

Your Quadratec Limited Warranty does not cover products or parts Quadratec determines to have been damaged by or subjected to: **(a.) installation damage, alteration, modification, combination with other parts, failure to maintain or improper repair or service, (b.) normal wear & tear, cosmetic damage or damage from moisture or water immersion, (c.) Acts of God, accidents, misuse, negligence, inadequate mounting or impact with vehicle(s), obstacles or other aspects of the environment, (d.) theft, vandalism or other intentional damage.**

Remedy Limited to Repair/Replacement:

The exclusive remedy provided hereunder shall, upon Quadratec inspection and at our option, be either repair or replacement of product or parts (new or refurbished) covered under this Limited Warranty. Customers requesting warranty consideration should first contact Quadratec to obtain a RGA number (610-701-3336). All labor, removal, shipping and installation costs are customer's responsibility.

Other Limitations - Exclusion of Damages - Your Rights Under State Law:

In consideration of the purchase price paid, neither Quadratec nor any independent Quadratec distributor/licensee are responsible for any time loss, rental costs, or for any incidental, consequential, punitive or other damages you may have or incur in connection with any part or product purchased. Your exclusive remedy hereunder for covered parts is repair/replacement as described above.

This **Limited Warranty** gives you specific rights. You may also have other rights that vary from state to state. For example, some states do not allow limitations of how long an implied warranty lasts and /or do not allow the exclusion or limitation of incidental or consequential damages, so the limitations and exclusions herein may not apply to you.

©Quadratec, Inc. 2023. All Rights Reserved.
A4 Version 1/9/2023

Instructions Part #12999.3300

Quadratec®