



JBASS

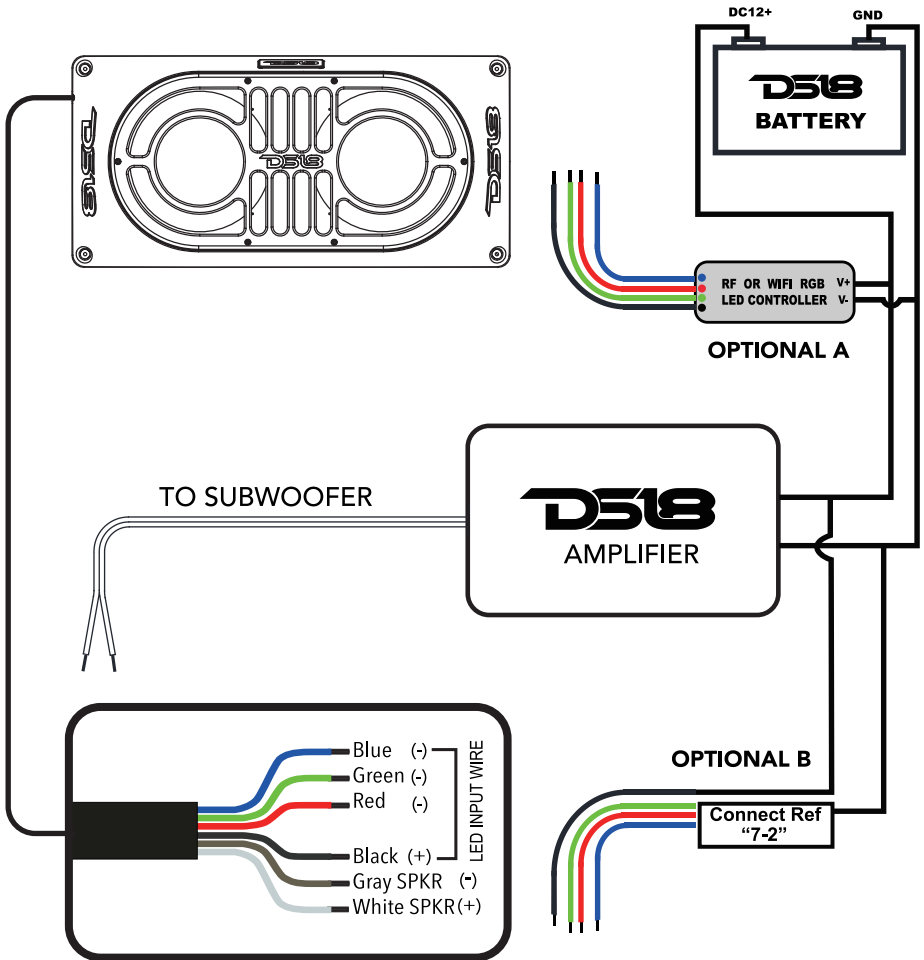
SHALLOW SUBWOOFER BOX

OWNER'S MANUAL



WeLikeItLoud

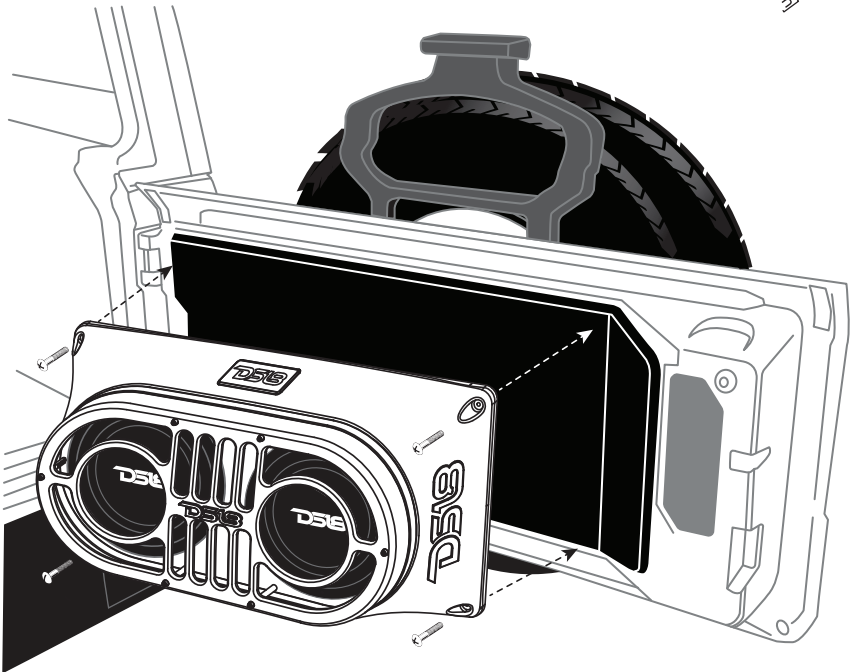
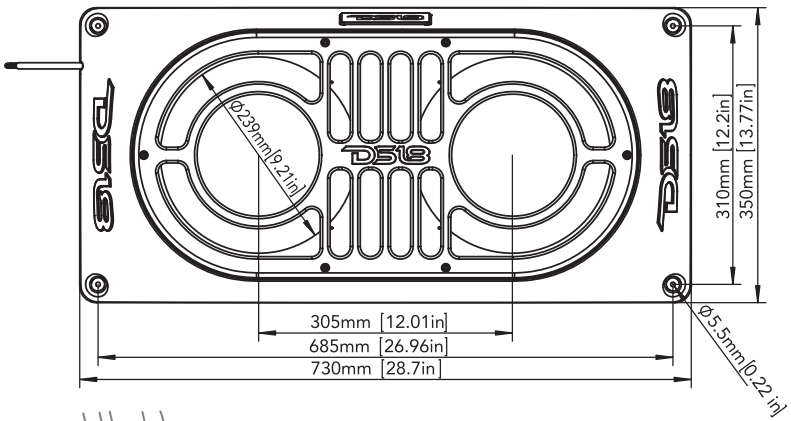
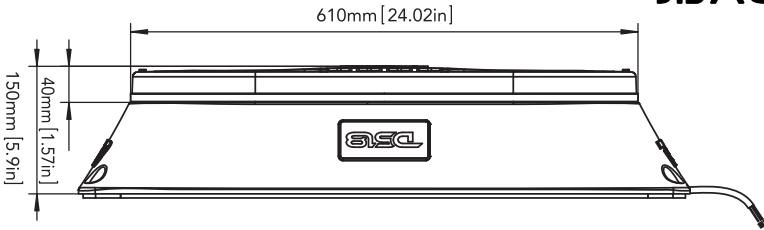
JBASS



- Black Wire "BK" Connected to Battery Positive (+12v)
- Blue Color Light "B" Connected to Battery Negative (-)
- Green Color Light "G" Connected to Battery Negative (-)
- Red Color Light "R" Connected to Battery Negative (-)
- Purple Color Light "R" and "B" Connected to Battery Negative (-)
- Yellow Color Light "R" and "G" Connected to Battery Negative (-)
- Cyan Color Light "B" and "G" Connected to Battery Negative (-)
- White Color Light "R"; "B" and "G" Connected to Battery Negative (-)

DS18

JIBASS





JBASS

Durable Polyethylene (PE) Box

Injection ABS Grill With Built-In RGB Around The Grill Inside

Built-In RGB For DS18 Logo Badge

6 Core 1.5m Input Wires For RGB And Woofer Speakers

Size: D x W x H: 730mm / 350mm / 150mm

28.74" / 13.77" / 5.9"

JBASS IS DESIGNED FOR THE JEEP JK, JKU, JL TAILGATE
& ANY OTHER UNIVERSAL APPLICATION.

THIS JBASS HOUSES: 2 - 10" SHALLOW SUBWOOFERS.

- ▶ Mounts 2 - 10" Subwoofer (DS18 - SW10D4 10")
Mounting Hole Diameter: 234mm (9.21")
- ▶ 95mm (3.74") Max Speaker Depth
- ▶ Subwoofers Not Included



#WeLikeItLoud

DS18.COM

