

TACTIK® Steel Skid Plate for Transfer Case

Installation & Use Instructions:

For '07 - Current Jeep® Wrangler (JK 2 and 4 Door)

⚠ WARNING ⚠

TO REDUCE RISK OF SERIOUS INJURY OR PROPERTY DAMAGE: READ ALL SAFETY MESSAGES, ALWAYS WEAR SAFETY GLASSES, AND UNDERSTAND ALL INSTRUCTIONS AND PROCEDURE *NOTICES* BEFORE ATTEMPTING TO INSTALL OR USE THIS PRODUCT.

⚠ WARNING ⚠

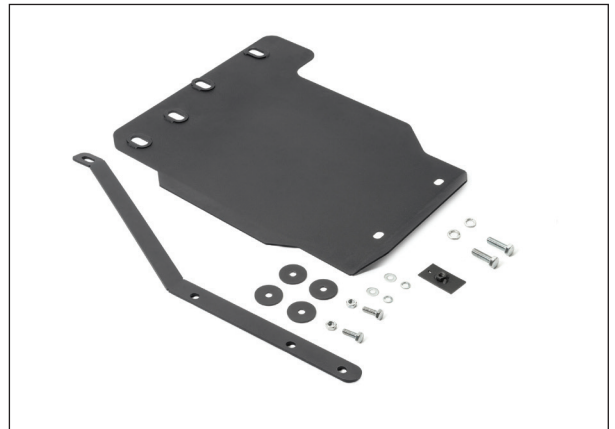
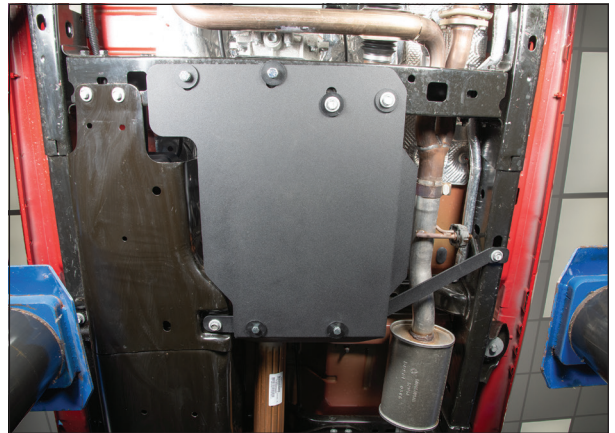
THE VEHICLE MUST BE PROPERLY SUPPORTED BY A VEHICLE LIFT OR JACK STANDS BEFORE BEGINNING INSTALLATION. NEVER WORK UNDER A VEHICLE SUPPORTED ONLY BY A JACK. READ THE INSTRUCTIONS AND CONFIRM YOU HAVE THE PROPER TOOLS AND SKILLS TO COMPLETE THE JOB. CONTACT A PROFESSIONAL INSTALLER IF YOU DO NOT HAVE THE NECESSARY QUALIFICATIONS.

⚠ CAUTION ⚠

RISK OF EYE INJURY! SAFETY GLASSES MUST BE WORN AT ALL TIMES WHILE INSTALLING OR MAINTAINING THIS PRODUCT. TORQUE AND RECHECK FASTENERS AFTER 250 MILES AND FREQUENTLY THEREAFTER. DO NOT USE IF DAMAGED.

NOTICE

AN AUXILIARY SKID PLATE ADDS EXTRA PROTECTION ON THE TRAIL, BUT IT CAN NOT GUARANTEE AGAINST ALL POSSIBLE DAMAGE FROM LARGE OBJECTS YOU MAY ENCOUNTER. ALWAYS DRIVE WITH RESPECT FOR OBJECTS AND TERRAIN THAT COULD DAMAGE SENSITIVE PARTS OF THE VEHICLE.







A Few Words About Product Safety:

Your Tactik® Skid Plate is intended to enhance the performance and protection of your off road capable vehicle. Before installation, please review the following safety information and installation recommendations.

Throughout these instructions important safety information is generally preceded by one of three signal words indicating the relative risk of injury, property damage or adverse consequence.

The Signal Words Mean:

 WARNING 	A HAZARDOUS SITUATION WHICH, IF NOT AVOIDED, COULD RESULT IN DEATH OR SERIOUS INJURY. YOU CAN BE KILLED OR SERIOUSLY HURT IF YOU DON'T FOLW INSTRUCTIONS.
 CAUTION 	A HAZARDOUS SITUATION WHICH, IF NOT AVOIDED, COULD RESULT IN MINOR OR MODERATE INJURY. YOU CAN BE MODERATELY HURT AND ALSO MAY SUFFER PROPERTY DAMAGE IF YOU DON'T FOLLOW INSTRUCTIONS.
NOTICE	CAREFUL ATTENTION IS REQUIRED TO THIS INSTRUCTION OR OPERATION BUT GENERALLY DOES NOT RELATE TO PERSONAL INJURY. DAMAGE TO YOUR TACTIK® PRODUCT OR OTHER PROPERTY MAY RESULT IF YOU DON'T FOLLOW INSTRUCTIONS.

Before You Begin Installation:

Congratulations on your purchase of TacTik® Skid Plate for your Jeep® Wrangler. This custom fit skid plate has been designed for protection, long life, and great looks. When unpacking, check to make sure all parts are included and not damaged due to shipping.

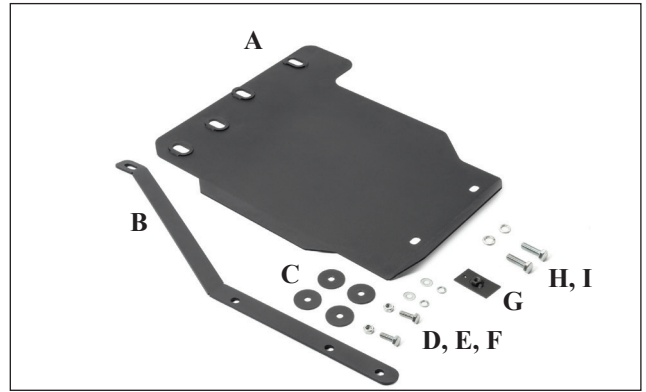
If any part is missing or broken, please call Customer Service at 800-745-6037 as soon as possible. Thank you again for your purchase and let's start the installation process.

NOTICE	WE RECOMMEND THAT YOU HAVE A HELPER NEARBY AS SOME OF THE STEPS OUTLINED BELOW WILL BE MUCH EASIER WITH THE HELP OF ANOTHER SET OF HANDS.
	WHILE INSTALLING SKID PLATES, VISUALLY SCAN FOR ANY INTERFERENCE WITH DRIVETRAIN COMPONENTS AND/OR EXHAUST COMPONENTS AND THE SKID PLATE.
	IF THERE IS ANY INTERFERENCE, ADJUST THE SKID PLATE ACCORDINGLY TO MAKE SURE ALL COMPONENTS ARE NOT TOUCHING. FAILURE TO DO THIS STEP MAY CAUSE DAMAGE TO THE VEHICLE.

TACTIK®

PARTS LIST

- A) Transfer Case Skid Plate - QTY 1
- B) Cross Brace QTY1
- C) M12 Washer 50mm QTY 4
- D) M10 x 1.5 x 25mm Bolts - QTY 2
- E) M10 Lock Washers - QTY 2
- F) M10 Flat Washers - QTY 2
- G) Nut Plate - QTY 1
- H) M12 x 1.5 x 25mm Hex Bolt - QTY 2
- I) M12 Lock Washer - QTY 4

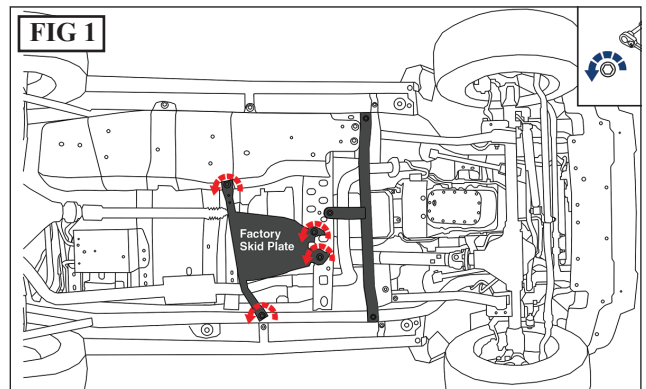


REQUIRED TOOLS

- Safety Glasses
- 17mm Socket
- 18mm Socket
- 19mm Socket
- Torque Wrench (ft lbs)

STEP 1

Put on Safety Glasses. Removal of factory Transfer Case skid plate: this step is also covered in the oil pan skid plate instructions. Remove the 4 factory bolts with an 18mm socket. Discard the factory skid plate. It will not be reused. [FIG 1]



STEP 2

Using an 18mm socket, secure the new Cross Brace onto the frame using the factory transfer skid plate mounting locations and two (2) factory fasteners. Snug but do not fully tighten the bolts at this time. [FIG 2]



STEP 3

Slide the (G) Nut Plate inside the frame to the first hole.
[FIG 3]

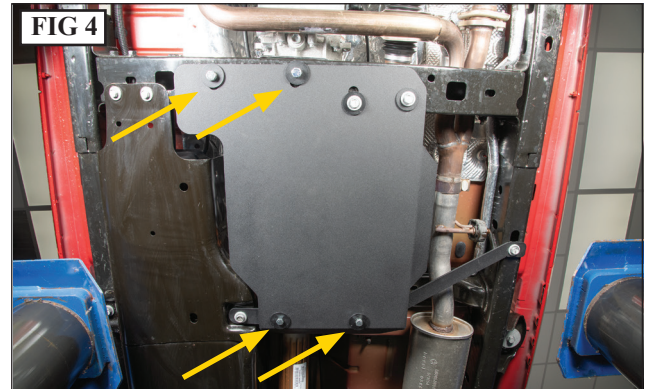


STEP 4

Mount the back of the skid plate to the cross member using hardware (D), (E), (F). [FIG 4]

Reuse the the two (2) factory M12 bolts to mount the front of the skid plate and the supplied hardware (C), (H), (I).

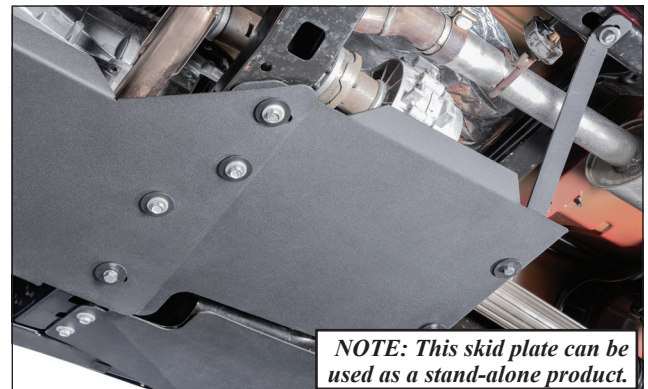
Using a torque wrench tighten all M10 bolts to 36 ft lbs and all M12 factory fasteners to 48 ft lbs..



Installation is complete.

NOTICE

BE SURE TO TIGHTEN BOLTS TO THE RECOMMENDED TORQUE VALUES.



NOTE: This skid plate can be used as a stand-alone product.

TACTIK® Exclusive One Year Limited Warranty

Your TACTIK® branded accessories are covered by the following Limited Warranty provided exclusively by TACTIK® located at 1028 Saunders Lane, West Chester PA 19380.

This **Limited Warranty** is the only warranty made in connection with your purchase. TACTIK® neither assumes nor authorizes any vendor, retailer or other person or entity to assume for it any other obligation or liability in connection with this product or **Limited Warranty**.

What is Covered: Subject to the terms, exclusions and limitations herein and with respect only to TACTIK® branded accessories first sold in the United States, TACTIK® warrants to the initial retail purchaser only that your TACTIK® accessory shall be free of defects in material and workmanship: **for a period of one (1) year from date of retail purchase.**

This **Limited Warranty** is not assignable and shall terminate upon sale of the vehicle upon which the TACTIK® accessory is installed or other transfer to third persons.

All other warranties are hereby disclaimed, except to the extent prohibited by applicable law in which case any implied warranty of merchantability or fitness for a particular purpose on this product is limited to one (1) year from date of initial retail sale. TACTIK® reserves the rights to: (a.) require invoice or other proof your accessory is within the terms of this **Limited Warranty** as a condition of warranty service and, (b.) make future revisions to this product and **Limited Warranty** without prior notice or obligation to upgrade your product.

What is Not Covered:

Your TACTIK® **Limited Warranty** does not cover products or parts that TACTIK® determines have been damaged by or subjected to: (a.) installation damage, alteration, modification, combination with other parts, failure to maintain or improper repair or service, (b.) normal wear & tear, cosmetic damage or damage from moisture or water immersion, (c.) Acts of God, accidents, misuse, negligence, inadequate mounting or impact with vehicle(s), obstacles or other aspects of the environment, (d.) theft, vandalism or other intentional damage.

Remedy Limited to Repair/Replacement: The exclusive remedy provided hereunder shall, upon TACTIK®'s inspection and at TACTIK®'s option, be either repair or replacement of product or parts (new or refurbished) covered under this **Limited Warranty**. Customers requesting warranty consideration should first contact TACTIK® to obtain a RGA number via telephone at 800-603-4064, or initiate customer service by email at: customerservice@tactik4x4.com. All labor, removal, shipping and installation costs are customer's responsibility.

Other Limitations - Exclusion of Damages - Your Rights Under State Law:

In consideration of the purchase price paid, neither TACTIK® nor any independent TACTIK® distributor/licensee are responsible for any time loss, rental costs, or for any incidental, consequential, punitive or other damages you may have or incur in connection with any part or product purchased. Your exclusive remedy hereunder for covered parts is repair/replacement as described above.

This **Limited Warranty** gives you specific rights. You may also have other rights that vary from state to state. For example, some states do not allow limitations of how long an implied warranty lasts and /or do not allow the exclusion or limitation of incidental or consequential damages, so the limitations and exclusions herein may not apply to you.

©TACTIK® 2021 All Rights Reserved. A4 Version

Instructions Part #12999.3195

TACTIK®