

QuadraTop® Adventure Top S With Flip Back Sunroof

for 2007-2018
2 Door Jeep® Wrangler JK
Item #11113.1435



NOTICE

This Replacement Top kit is designed to fit on your 2 Dr Jeep® Wrangler when the original soft top or hard top has been completely removed. Before beginning your installation of this product, you will need to remove your existing soft top fabric, hardware or Hard top.

Loss of vehicle control involves risk of death or serious injury, particularly to parts of your body not restrained within vehicle. This product is intended for weather protection only and should not be relied upon to contain occupants in the event of an accident or to protect from either ground contact or falling objects. To reduce risk of accident or injury:

- ALWAYS WEAR SEATBELTS

WARNING

- Always keep head, arms & body parts within vehicle.
- Fully secure or stow the soft top before driving according to instructions. Never try to latch or fold soft top while driving. Do not use if damaged or worn.
- Read and follow all instructions & warnings accompanying this product, in your vehicle owner's manual and Off Road Driving Supplement.

CAUTION

RISK OF EYE INJURY. Safety glasses should be worn at all times while installing or maintaining this product.

PART LIST:

TOP DECK/HEADER ASSEMBLY	QTY 1
DRIVER SIDE QUARTER WINDOW	QTY 1
PASSENGER SIDE QUARTER WINDOW	QTY 1
REAR WINDOW	QTY 1
DRIVER SIDE OVER DOOR BOW	QTY 1
PASSENGER SIDE OVER DOOR BOW	QTY 1
CENTER BOW ASSEMBLY	QTY 1
DRIVER'S SIDE DOOR SURROUND	QTY 1
PASSENGER SIDE DOOR SURROUND	QTY 1
DOOR SURROUND KNOBS	QTY 4
ROLL BAR BOW MOUNT BRACKETS	QTY 2

REQUIRED TOOLS:

SAFETY GLASSES
PHILLIPS SCREW DRIVER
FLAT HEAD SCREW DRIVER
T-30 TORX DRIVER
PLIERS



The Trusted Source

Important Safety information
 Your QuadraTop® Adventure Top is intended to be used with other QuadraTop Products to increase the fair weather enjoyment of your off-road capable vehicle. Before installation,

please take a moment to review the following safety information and installation instructions. Important safety information is generally preceded by one of three signal words indicating the relative risk of injury. The signal words mean.

WARNING a hazardous situation which, if not avoided, could result in death or serious injury. You CAN be KILLED or SERIOUSLY HURT if you don't follow instructions.

CAUTION a hazardous situation which, if not avoided, could result in minor or moderate injury. You CAN be moderately HURT and also may suffer property damage if you don't follow instructions.

NOTICE Careful attention is required to this instruction or operation but does generally not relate to personal injury. Damage to your Quadratec® product or other property may result if you don't follow instructions.

Before you begin Installation:

We are excited that you have chosen the Adventure Top. This high-quality soft top is designed to provide protection from the elements and a stylish look on your Jeep®. Please note that it is important that you become familiar with the installation process of this top by reading the following instruction sheet and warnings thoroughly. When unpacking, carefully check to make sure all parts are included. If any part is missing or broken, please call Quadratec customer service at 800-745-6037.

NOTICE For a smooth fit and ease of installation, this top should be installed at temperatures above 72 degrees. Below this temperature, the fabric may contract an inch or more making it difficult to install. We highly recommend taking the top out of the package and letting it sit inside a warm place or direct sunlight for 1-2 hours before you install the top. When warm, this top will install quickly.

Step 1: Install Over Door Bows to Front Header Assembly

Locate the Fabric/Header assembly and the two over door bows as shown in Figs 1 & 2 and place the assembly on a table top or on a soft towel with the underside facing up and the two "header legs" facing away from the header.



FIG 1



FIG 2

Locate the over door bow assembly (Fig 3) and round bow/header sleeve (round tube). Slip the round door "sleeve" over the header leg and insert the "knuckle" installed on the over door bow into the Header leg (Fig 4) making sure the quick release knuckle is facing outward (Fig 5). Note that the over door bow assembly are sided: left and right.

FIG3



FIG4



FIG5



The Trusted Source

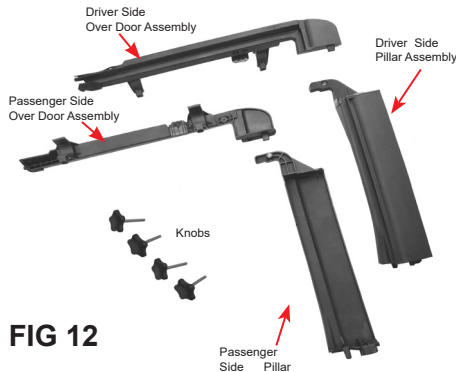
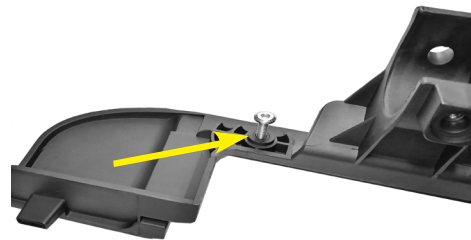
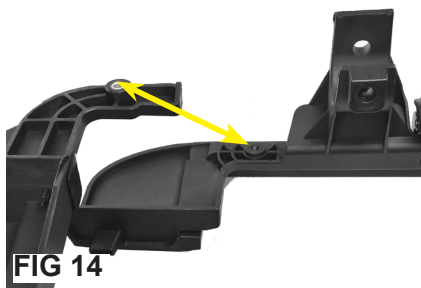
FIG6**FIG7**

Next, secure the over door bow to the Header leg with the attached set screw (Fig 6). Slide the bow sleeve over the knuckles as shown in Fig 7. Repeat this procedure on the opposite side.

Step 2: Install Bow Mount Brackets to Roll Bar Locate the (2) bow mounting brackets and (4) Allen head pivot bracket bolts shown in FIG 8. Carefully unzip the roll bar padding on the vertical side tube to expose the two factory holes in the roll bar. With a razor knife, trim the hard foam where the top of the bracket will sit (FIG 9). Locate the bow mounting brackets over the factory holes and using the Allen head pivot bracket bolts, install brackets to the roll bar (FIG's 10 & 11). Slip the roll bar padding back over the installed brackets carefully slipping the bracket mounts through the slits in the roll bar padding. Repeat on passenger side.

FIG 8

Step 3: Pillar and Over Door Surround Assembly and Install Locate the driver's side Rear over door assembly and the driver's side Pillar assembly shown in FIG12. On the driver's side rear over door assembly, there is a screw, installed for shipping (Fig 13). Remove this screw and set aside

**FIG 12****FIG 13****FIG 14****FIG 15**

Line up the Driver's side Rear over door assembly and the driver's side pillar assembly as shown in Fig 14 & 15 making sure the holes line up. Insert the screw over the top of the hole as shown in Fig 15. Tighten this screw using the 4mm allen head tool securing the two pieces (Fig 16 & 17).



The Trusted Source



FIG 16

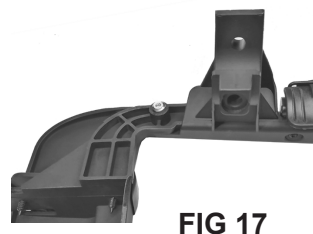


FIG 17

Repeat the above assembly on the Passenger side Rear over door and pillar assemblies.

Install Door Surrounds to Jeep

Locate the assembled Driver's side rear door surround (Fig18). On the bottom of the vertical pillar portion of the assembled door surround is a pin that will be inserted into the body tub as shown in



FIG 18



FIG 19



FIG 20



FIG 21



FIG 22



FIG 23

Install Door Surrounds to Jeep: Continued

Next, Insert this pin into the body tub as shown in FIGS 20 & 21. After inserting the pin, locate the upper portion of the door surround "C" attachment and push onto roll bar (FIGS 22& 23).

Make sure the front seal is snug against the windshield seal as shown in FIG 24. The "C" should fit in the cutout of the roll bar pad. Line up the threads in the "C" with the top hole in the roll bar.



FIG 24

Repeat this procedure on the passenger side.



FIG 25



FIG 26

Secure Front Door Surrounds to Roll Bar Locate the two sets of screw knobs in each Door surround box. There should be (2) sets of two knobs. Line up the door surround "C" attachment holes with the vertical holes in the roll bar. Slip the front knob through the hole in the front door surround (FIG25). Tighten the knob securing the front door surround FIG 26. Repeat this procedure on the rear door surround hole and on the other side of the vehicle. Finally, tighten all four knobs. All knobs on both sides of the vehicle should be secured to the roll bar. This completes the installation of the door surrounds to your vehicle.



The Trusted Source

Step 4: Installing the Center Bow to the Vehicle Locate the center bow assembly as shown in Fig 27 below.

Make sure the front seal is snug against the windshield seal as shown in FIG 24. The "C" should fit in the cutout of the roll bar pad. Line up the threads in the "C" with the top hole in the roll bar.



Repeat this procedure on the passenger side.



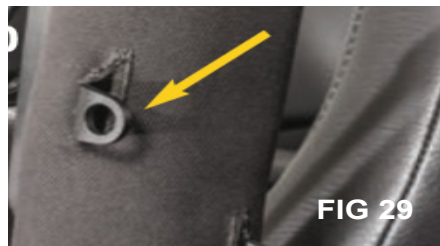
Secure Front Door Surrounds to Roll Bar Locate the two sets of screw knobs in each Door surround box. There should be (2) sets of two knobs. Line up the door surround "C" attachment holes with the vertical holes in the roll bar. Slip the front knob through the hole in the front door surround (FIG25). Tighten the knob securing the front door surround FIG 26. Repeat this procedure on the rear door surround hole and on the other side of the vehicle. Finally, tighten all four knobs. All knobs on both sides of the vehicle should be secured to the roll bar. This completes the installation of the door surrounds to your vehicle.

Step 4: Installing the Center Bow to the Vehicle Locate the center bow assembly as shown in Fig 27 below.



FIG 27

With a friend, place the bow assembly over the roll bar and line up the assembly to the upper bow mount bracket (Fig 29) that was installed in step 2. The center bow should be towards the rear of the vehicle as shown in Fig 28



The Trusted Source

Step 4: Install Center Bow to the Vehicle: Continued

.Line up the Quick release knuckle on the bow assembly with the upper bow mount bracket attachment and attach each side of the center bow assembly to the bracket (Figs 30, 31 & 32). Repeat on other side of vehicle.



Step 5: Installing the Header/Deck Fabric Fabric to the Center Bow

With the help of a friend, locate the completed header assembly created in Step 1 and place this assembly over the windshield with the header on the windshield and the two "header legs" towards the rear of the vehicle. The over door Bow legs should fit inside the Door surrounds (Figs 34 & 35). Line the quick release knobs on the header legs up with the Center bow mounting hole (Fig 36) and attach the quick release knuckles to the center bow (Fig 37). Repeat on other side of vehicle. With the over door bows mounted to the center bow, drape the fabric attached to the front header back towards the rear of the vehicle as shown in Fig 38 (next page).



Step 5: Installing the Header/Deck Fabric Fabric to the Center Bow: Continued

Locate the center bow webbing attached to the center bow and the spring assembly that is attached to the top deck. Figs 39 & 40

FIG 38



Step 5: Installing the Header/Deck Fabric Fabric to the Center Bow: Continued

Attach the spring end to the webbing as shown in figs 41 and 42.

NOTE: Fig 42 shows the spring end coming all the way through the web strap. This is Extremely important! Using pliers, crimp the spring end so it does not come loose. Do not tighten this strap yet.



Step 6: Installing the Top Deck to the Jeep® With the header resting on the windshield, close the front header latches to secure the front of the top to the windshield. See FIGs 43, 44 & 45.



NOTE: Do not completely tighten these straps yet. They should be holding the top but not pulled as tight as possible. You will do final "tightening" after you install the windows.

NOTICE IMPORTANT: The top deck MUST be centered on the rear of the vehicle for the windows to fit properly.



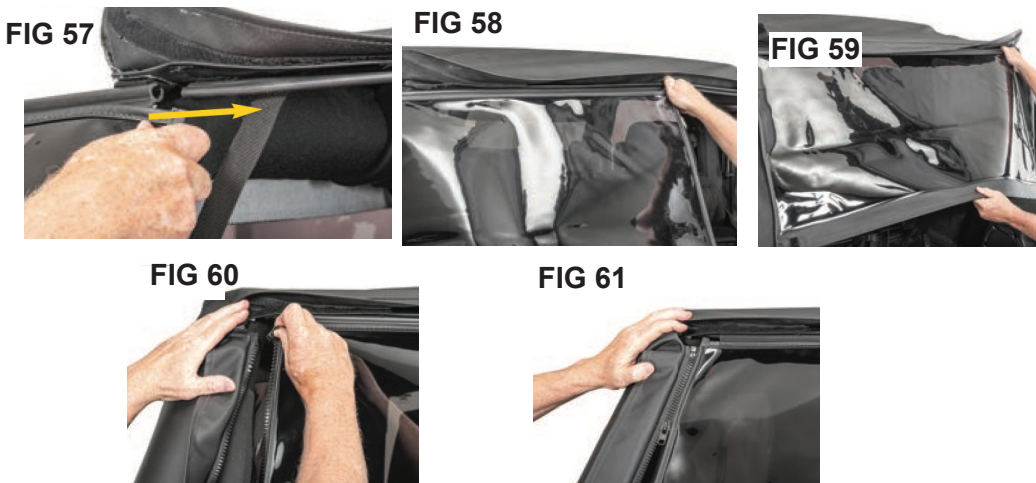
Step 7: Installing the Quarter and Rear Windows to the Top Deck

To ensure the top is centered on the vehicle you will be installing the two quarter windows and the rear window to the top deck and to each other before securing it to the vehicle body. *Pro-Install TIP:* To make this as easy as possible, you may have to release the front windshield header (release but not un-hook) and loosen the rear corner straps installed in step 6. This will allow you to line up all window zippers and attachments. The rear corner straps and header will need to be re-tightened/clamped before using the top.

Locate the drivers rear quarter window. Line up the driver's side Quarter window to the zipper on the deck and zip it as shown in FIG's 50, 51 & 52 Repeat this on the passenger side of the vehicle.



As shown in fig's. 53 & 54, roll the vertical plastic strip into the door surround slot securing it to the door surround. Next, starting at the driver's side front, attach the side belt rail into the vehicle body by "rolling" the plastic into the slot (fig's 55 & 56). Locate the rear window and line up and slide the rear window into the "C" Channel located at the top of the rear portion of the top deck (FIGs 57, 58 & 59). Once both quarter windows and rear window are secured to the top deck, line up the driver's side rear zipper on the Quarter window to the zipper on the rear window and zip it down a few inches (FIG 60). Repeat this on the passenger side of the rear window. You may have to lift the quarter window up to secure this second zipper are secure, zip the rear window zippers down about half way (Fig 61). You will close these zippers completely at the end of the install.



The Trusted Source

NOTICE

When removing the quarter windows from the Top deck, make sure the zipper is completely out of the "zipper box" before removing the window. See fig 62

FIG 62



Step 8: Installing the Top to the Jeep Body Starting at the driver's side front, attach the side belt rail into the vehicle body by "rolling" the plastic into the slot (FIG 63). Once secure move to the rear driver's side corner and "roll" the plastic into the Jeep body corner belt rail as shown in FIG 64. You may have to pull the corners around towards the front or back of the vehicle to center the top on the vehicle. Repeat this procedure on the passenger side.



Go inside the Jeep and locate the long center bow flap. Wrap this bow flap tightly around the center bow and secure it with the hook and loop fastener (FIGs 65 & 66). you can now reach through the rear zipper on each side and tighten the corner straps. Alternate tightening to keep the top centered. Seal hook and loop around windows (FIGs 67 & 68).



NOTE: as shown in FIG 65 there is a web loop installed on the side of the quarter window. This is to be used for unhooking the quarter window only and is not designed to be pulled down on for installation!



The Trusted Source

Step 9: Installing the Tailgate Bar and Rear Window to the body of the Jeep

Take the factory bar and orient the "C"-Channel with the round seal facing down and slide the "C" Channel onto the rear window retainer as shown in FIG's 70 & 71. After sliding the retainer all the way through the "C" Channel, roll the tailgate bar into the mounts with the outside of the fabric facing towards the rear of the Vehicle (Figs 72 & 73).



Step 9 Continued: Installing the Tailgate Bar and Rear Window to the body of the Jeep

Once the Tailgate bar is secure, lower zippers on both sides of the rear curtain (FIG 74) and then secure the rear zipper cover flap as shown in Figs 75 & 76.



WARNING

Make sure the hook and loop fastener are tightly secured to the center bow after the front sun roof is folded back. Both rear corner straps must also be secure when the top is folded back. These safety measures are designed to secure the top deck to the vehicle and if not adhered to can cause injury, death and a serious accident. Always wear your seat belts when using this product!

Top Installation is now complete!



The Trusted Source

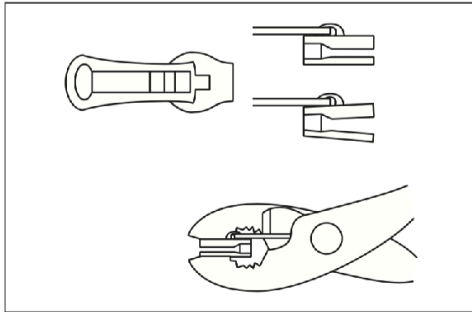
Care and Maintenance:

Your QuadraTop is made of the finest materials available but to keep it looking new and for the maximum possible wear, it will need periodic cleaning and basic maintenance. The main threats to your soft top are pollutants, dirt and grime. By keeping your soft top clean you will prolong the life of your top.

We recommend the following to keep your top like new:

Washing: The soft top fabric should be washed often using a mild soap, warm water and a soft bristle brush (do not use the brush on the window glass!). You can also use special soft top cleaners available on our website and shown on page 15. Make sure that after cleaning you rinse with clear water to remove all traces of soap.

Zippers: Keeping the zipper cleaned and lubricated with a silicone lubricant (see Page 15) will help prevent damage and keep the zippers in a smooth working condition. If zipper opens behind the slider, the slider may have been spread apart. This problem can usually be fixed



by using an ordinary pair of pliers to bring the sides back into parallel. Return slider to the end of the zipper in the normal Open position. Squeeze lightly at

First and test zipper. If the zipper continues to remain open squeeze more firmly with pliers and try the zipper again. Repeat procedure until your zipper operates correctly.

Windows: It is very important that you keep your QuadraTop windows clean! Use a mild soap and water solution to gently clean your windows. NEVER wipe your windows clean with a dry cloth! Dust and dirt on a dry cloth can scratch your windows causing "fogging" and permanent damage. When removing your windows, store them with a towel between the panels/rear windows to protect them from damage. If frost or ice forms on the outside of your windows during the winter, DO NOT use an ice scraper to remove this frost. Over time you will see small micro scratches in your windows which are natural wear and tear. These Micro scratches can be "polished" out using the window polish listed on page 15 (Available at Quadratec.com).

Water/Fabric: In the event of seeping through the seams, 3M Scotchgard® may be applied on the inside of the seams to stop the see. Rips in the fabric may be repaired with Bondex® iron on patches. Iron the patches to the Inside of the top, carefully following the Bondex® instructions.

Snaps: Keep snaps cleaned and lubricated with silicone to help prevent snaps from sticking to the studs. If a snap does become stuck to a stud, use a screwdriver and GENTLY pry apart to prevent permanent damage to the snap or the top fabric.



The Trusted Source

Quadratec Limited Warranty

for QuadraTop® Replacement Soft Tops

Your QuadraTop® replacement soft top is covered by the following Limited Warranty provided exclusively by Quadratec, Inc. 1028 Saunders Lane, West Chester, PA 19380.

This **Limited Warranty** is the only warranty made in connection with purchase. Quadratec neither assumes nor authorizes any vendor, retailer or other person or entity to assume for it any other obligation or liability in connection with this product or **Limited Warranty**.

What is Covered:

Subject to the terms, exclusions and limitations herein and with respect only to soft tops first sold in the United States, Quadratec warrants to the initial retail purchaser only that your QuadraTop soft top shall be free of defects in material and workmanship for a **period of 3 years from date of initial retail sale**.

All other warranties are hereby disclaimed, except to the extent prohibited by applicable law in which case any implied warranty of merchantability or fitness for a particular purpose on this product is limited to 3 years from date of initial retail sale. Quadratec reserves the rights to: (a.) require invoice or other proof your soft top is within the terms of this **Limited Warranty** as a condition of warranty service and, (b.) make future revisions to this product and **Limited Warranty** without prior notice or obligation to upgrade your soft top.

What is Not Covered:

Your Quadratec **Limited Warranty** does not cover products or parts Quadratec determines to have been damaged by or subjected to: (a.) installation damage, alteration, modification, failure to maintain or attempted repair or service by anyone not authorized by Quadratec, (b.) normal wear and tear, cosmetic damage or damage from water immersion, (c.) Acts of God, accidents, misuse, negligence, inadequate mounting or impact with vehicle(s), obstacles or other aspects of the environment, (d.) theft, vandalism or other intentional damage.

Remedy Limited to Repair/Replacement: The exclusive remedy provided hereunder shall, upon Quadratec inspection and at Quadratec's option, be either repair or replacement of product or parts (new or refurbished) covered under this **Limited Warranty**. Customers requesting warranty consideration on QuadraTop soft top should first contact Quadratec to obtain a RGA number (610-701-3336). All labor, removal, shipping and installation costs are customer's responsibility.

Other Limitations - Exclusion of Damages - Your Rights Under State Law:

In consideration of the purchase price paid, neither Quadratec nor any independent Quadratec distributor/licensee are responsible for any time loss, rental costs, or for any incidental, consequential, punitive or other damages you may have or incur in connection with any part or product purchased. Your exclusive remedy hereunder for covered parts is repair/replacement as described above.

This **Limited Warranty** gives you specific rights. You may also have other rights that vary from state to state. For example, some states do not allow limitations of how long an implied warranty lasts and/or do not allow the exclusion or limitation of incidental or consequential damages, so the limitations and exclusions herein may not apply to you.

The terms Quadratec®, QuadraTop® Essentials® and Essential® are Registered Trademarks of Quadratec Inc. Registered in U.S. Patent and Trademark Office.

©Quadratec, Inc. 2023. All Rights Reserved. Version 06.7.23

Part # 941048.01



The Trusted Source