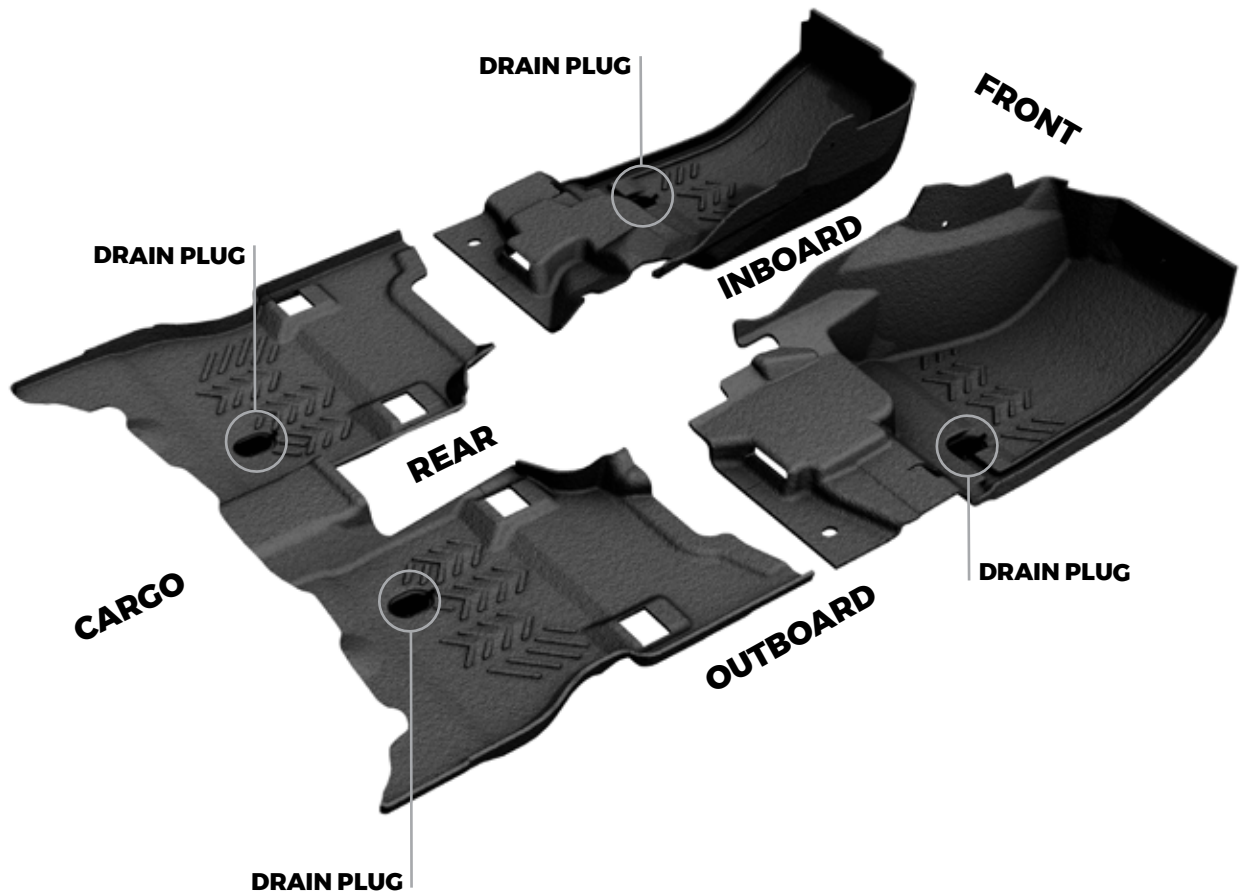


# ARMORLITE

## INSTALLATION INSTRUCTIONS

Armorlite Front and Rear Flooring

Vehicle Application  
**Jeep® Wrangler JL 4xe - 4-Door**





## CAUTION

### READ BEFORE INSTALLING

- **DO NOT** install Armorlite flooring on top of any existing flooring product, including factory or aftermarket systems, floor mats, carpets or linings of any type.
- Armorlite flooring fit could be compromised if installed over a spray-in floor liner due to the additional thickness.
- **Do NOT** install any floor coverings or mats on top of Armorlite, as it will hinder your Armorlite floor's performance and create a potentially dangerous situation with loose mats.
- Install Armorlite flooring in the proper locations using existing retention points as illustrated in enclosed instructions or visit [www.GoArmorlite.com/installation](http://www.GoArmorlite.com/installation) for installation video.
- Vehicle pedals need to be inspected for full freedom of movement after installation and before each use. **DO NOT DRIVE VEHICLE IF ANY INTERFERENCE EXISTS AT ANY TIME.**
- If the flooring is removed for cleaning, follow the installation instructions when reinstalling to ensure proper fit.
- Armorlite flooring is engineered and designed to fit the vehicle make and model you purchased. **DO NOT INSTALL** in any other vehicle make or model.
- Check the fit of Armorlite flooring after it is serviced to ensure it remains securely installed.
- Warnings label and instructions should be kept with the owner's manual of your vehicle.

For Support please visit [www.GoArmorlite.com/support](http://www.GoArmorlite.com/support)

## BEFORE YOU BEGIN INSTALLATION



Wear gloves to protect your hands from any sharp edges in and around the seats.



Ensure the car is in "Park," and the emergency brake is applied.

- A second person will help to expedite the installation process.
- Remove factory installed flooring, drain plugs and retainer clips that coincide with Armorlite purchased product.
- For kit purchases, only remove the factory floor carpet for front and rear seats. Do not remove the factory carpeting in the cargo area, as the Armorlite cargo mat lies on top factory floor carpet.
- For instructions on how to remove factory installed flooring there are third-party online resources available.
- Drain plugs can be found underneath the factory installed flooring - front (2), rear (2).
- Save clips if you intend to keep and reinstall the factory installed flooring.

## TOOLS REQUIRED

- 10 mm socket – Front sill nut and console bolt removal/installation
- Small standard screwdriver – Front sill electrical connector and console plugs (or trim stick) removal/installation
- T50 Torx head bit – Seat bolt removal/ installation
- 16 mm wrench – Floormat/carpet stud removal
- Trim stick – Prying plastic parts

**VISIT [www.GoArmorlite.com/installation](http://www.GoArmorlite.com/installation) FOR A DETAILED INSTRUCTIONAL VIDEO.**

*Note: Step numbers in the video may not match printed instructions.*

# FLOORING INSTRUCTIONS

1

Protect seat side shields.



2

Remove rear floor mats.



3

Remove front floor mats.



4

Remove front sill, electrical connector block and the door harness connector. There are several snap fasteners holding the door sill in place. Pull with steady force with both hands to remove.



5

Remove front and rear seat bolts.



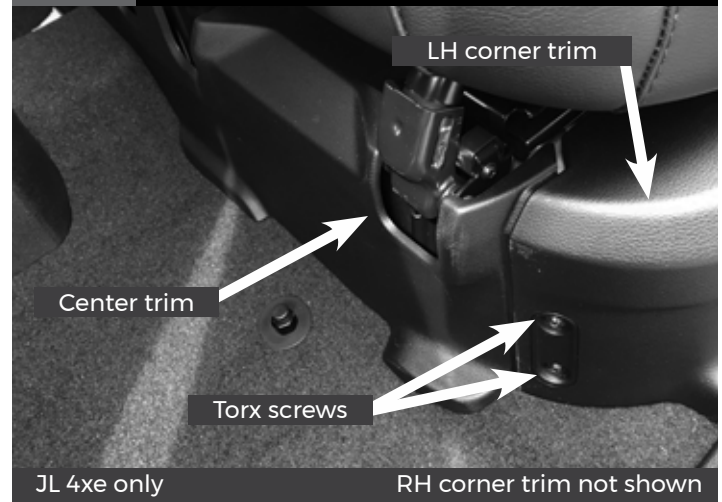
6

Remove B-pillar (mid & lower).



7

Remove battery close out trim underneath the rear seat; 3 pieces. Remove LH and RH corner trim pieces by unscrewing Torx screws (2 per side) and pulling up. Remove center trim piece by pulling forward.



8

Remove rear console bolt trim covers.



9

Remove rear console bolts.



10

Remove front console bolt covers.



11

Remove front console bolts.



12

Remove rear carpet, if applicable (for rear installation only).



**13**

Remove front factory carpets.



**14**

Unscrew plastic floor mat posts.



**15**

Remove factory plugs (2 front, 2 rear).



**16**

Install rear Armorlite flooring, if applicable.



**17**

Install front passenger side Armorlite flooring.



**18**

Install front driver side Armorlite flooring.



**19**

To ensure your Armorlite floor is properly positioned in the floor pan, properly install the Armorlite drain plugs in all four holes before replacing bolts and trim pieces (2 front, 2 rear). Reference Drain Plug Installation Instructions.



**20**

Install B-pillar.



**21**

Install front sill.



**22**

Reinstall battery close out trim.





**23**

Install front and rear seat bolts at a torque specification of 48 newton meters.



**24**

Install rear console bolts & trim covers.



**25**

Install front console bolts and trim covers.



Installation of the flooring is complete.

# LIMITED LIFETIME WARRANTY

Armorlite flooring products are backed by a limited lifetime warranty for materials and workmanship, which means that our products are guaranteed not to break, tear, or deform under normal use. This limited warranty only applies when the product is correctly installed and used in the type of vehicle listed in the product description.

## LENGTH OF WARRANTY

The warranty will remain in effect while the original purchaser of the Armorlite product owns the vehicle in which the product is installed. The warranty is not transferrable, which means that the warranty will terminate if you sell or otherwise give the product to someone else.

## WHAT THIS WARRANTY DOES NOT COVER

Certain common sense damages to the product are NOT covered by this limited lifetime warranty:

- intentional damage;
- damage resulting from an accident;
- unreasonable use or neglect;
- improper service, installation, or removal;
- damage resulting from product modifications;
- damage to product prior to installation; and
- damage, fading or discoloration from excessive wear and tear and/or excessive exposure.

## HOW TO MAKE A WARRANTY CLAIM

If you have a valid warranty claim, you must follow the warranty return instructions in the "Warranty Process" section below.

## HOW STATE LAW APPLIES

Armorlite's express warranties are limited to those expressly stated in this agreement. Armorlite makes no other express representations or warranties, express or implied, regarding the products, including regarding merchantability, suitability, originality, or fitness for a particular purpose, and any such warranties are expressly disclaimed. Any implied warranties, including without limitation the implied warranties of merchantability and fitness for a particular purpose, shall be limited to the duration of this limited warranty.

In no event will Armorlite be liable, whether in contract or tort (including negligence) for damages in excess of the purchase price of the product, or for any indirect, incidental, special or consequential damages of any kind, or otherwise to the fullest extent these damages may be disclaimed by law.

Some jurisdictions do not allow the limitation or exclusion of incidental or consequential damages, or a limitation on the length of an implied warranty, so the above limitations or exclusions may not apply to you. This warranty gives you specific legal rights, and you may also have other rights that vary from one jurisdiction to another.

## WARRANTY PROCESS

Visit our support page and fill out the form to submit a warranty claim. You will be required to upload images to demonstrate proof of a manufacturing defect. Upon receiving your claim an investigation will occur and may take up to 4-8 business days to be completed.

If the warranty claim is approved, you will be provided with a replacement product. If your product model has been discontinued, you will be provided with another product of similar composition and price. Armorlite will ship your replacement product at no cost.

## SHIPPING

You may be required to return product(s) for a more thorough investigation.

A Return Merchandise Authorization Number (RMA#) will be provided at this time. Armorlite will cover return shipping costs and provide you with a pre-paid shipping label. Please write the RMA# on the outside of the box. The product must be cleaned and returned to its original box or equivalent packaging. Packaging must be in good condition. Armorlite is not responsible for lost or damaged packages.

All products must be shipped to:

Armorlite, Inc. - Warranty  
1506 East Main Street  
P. O. Box: 669  
Old Fort, NC 28762



**ARMORLITE**

**GOARMORLITE.COM**