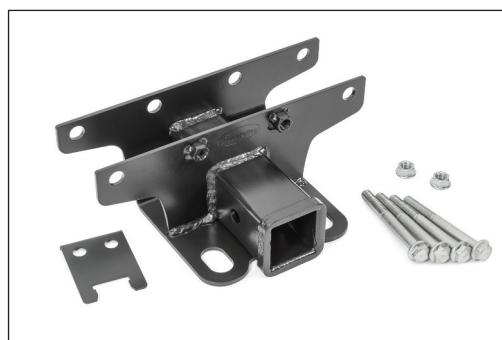


# Quadratec® Premium 2" Receiver Hitch

**Installation Manual: for Wrangler 2018-Current (JL) Models**

#12015.1004



**PARTS LIST:**

- 2" Receiver Hitch - QTY 1
- (4) M12 x 1.5 x 110mm bolts
- (2) M12 x 1.5 flange headed nuts
- (1) 4-Pin Wiring Harness Bracket (Optional)

**REQUIRED TOOLS:**

- Safety Glasses
- 18mm Socket & Ratchet Driver
- 18 mm Wrench
- 10mm Socket & Ratchet Driver
- Torque Wrench

**⚠ WARNING ⚠**

**TO REDUCE RISK OF SERIOUS INJURY OR PROPERTY DAMAGE: READ ALL SAFETY MESSAGES AND UNDERSTAND ALL INSTRUCTIONS AND PROCEDURE NOTICES BEFORE ATTEMPTING TO INSTALL OR USE THIS PRODUCT. FOLLOW ALL INSTRUCTIONS AND WARNINGS WITH PRODUCT & VEHICLE OWNERS MANUAL.**

**⚠ WARNING ⚠**

**REGARDING RECEIVERS: SEE PAGE 2 FOR URGENT RECEIVER CAPACITY WARNINGS. DO NOT ALLOW RECEIVER MOUNTED ACCESSORIES (BIKES, ETC.) TO BLOCK VEHICLE MIRRORS OR LIGHTS. READ AND UNDERSTAND ALL CAPACITY WARNINGS.**

**⚠ CAUTION ⚠**

**RISK OF EYE INJURY! SAFETY GLASSES MUST BE WORN AT ALL TIMES WHILE INSTALLING OR MAINTAINING THIS PRODUCT. TORQUE AND RECHECK FASTENERS AFTER 250 MILES AND FREQUENTLY THEREAFTER. INSPECT BUMPER, WINCH AND MOUNT BEFORE USE. DO NOT USE IF DAMAGED.**

**NOTICE**

**CHECK STATE AND LOCAL HIGHWAY SAFETY LAWS REGARDING PERMITTED BUMPER TYPES AND HEIGHTS.**



**The Trusted Source**



**A Few Words About Product Safety:**

*Your Receiver Hitch is intended to enhance the utility and enjoyment of your off road capable vehicle. Before installation, please take a moment to review the following safety information*

*and installation instructions. Important safety information is generally preceded by one of three signal words indicating the relative risk of injury.*

*The signal words mean:*

<b>⚠ WARNING ⚠</b>	<b>a hazardous situation which, if not avoided, could result in death or serious injury. You CAN be KILLED or SERIOUSLY HURT if you don't follow instructions.</b>
<b>⚠ CAUTION ⚠</b>	<b>a hazardous situation which, if not avoided, could result in minor or moderate injury. You CAN be moderately HURT and also may suffer property damage if you don't follow instructions.</b>
<b>NOTICE</b>	<b>Careful attention is required to this instruction or operation but does generally not relate to personal injury. Damage to your Quadratec® product or other property may result if you don't follow instructions.</b>

**Before You Begin Installation:**

*Congratulations on your purchase of the Quadratec Premium 2" Receiver Hitch for (2018 to current) Wrangler JL Vehicles. This version is specifically designed for this original equipment factory bumpers. Please read page headings for the correct steps for your vehicle.*

*to shipping. If any part is missing or broken, please call Customer Service at 800-745-6037 as soon as possible.*

*As tow hitches tend to be heavy, we suggest you get help for steps involving lifting, locating or holding the hitch during installation.*

*When unpacking, check to make sure all parts are included and not damaged due*

*Thank you again for your purchase and let's start the installation process.*

<b>⚠ WARNING ⚠</b>	<b>THIS CLASS II RECEIVER: 4 DOOR JL: MAX TOW WEIGHT 3500 LBS. MAX TONGUE WT. 300 LBS. 4 DOOR JL: MAX TOW WEIGHT 2000 LBS. MAX TONGUE WT. 200 LBS.</b>
<b>⚠ WARNING ⚠</b>	<b>TO REDUCE RISK OF SERIOUS INJURY OR PROPERTY DAMAGE: INSTALL ACCORDING TO INSTRUCTIONS. TORQUE AND RECHECK FASTENERS AFTER 250 MILES AND FREQUENTLY THEREAFTER. INSPECT AND DO NOT USE RECEIVER/BUMPER IF DAMAGED.</b>
<b>⚠ WARNING ⚠</b>	<b>CONSULT &amp; NEVER EXCEED LESSER OF VEHICLE, RECEIVER OR TRAILER MAXIMUM TOW OR WEIGHT RATINGS. CONSULT AND FOLLOW ALL LIMITATIONS &amp; WARNINGS IN YOUR VEHICLE OWNERS MANUAL AND SAFE TOWING SUPPLEMENT.</b>
<b>⚠ WARNING ⚠</b>	<b>CHECK STATE AND LOCAL HIGHWAY SAFETY LAWS REGARDING PERMITTED BUMPER TYPES AND HEIGHTS.</b>



**The Trusted Source**





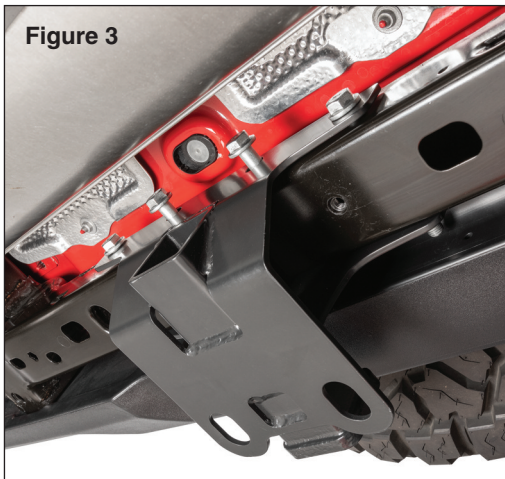
**Hitch Installation: For Sport Model & Rubicon with Factory Steel Bumpers**



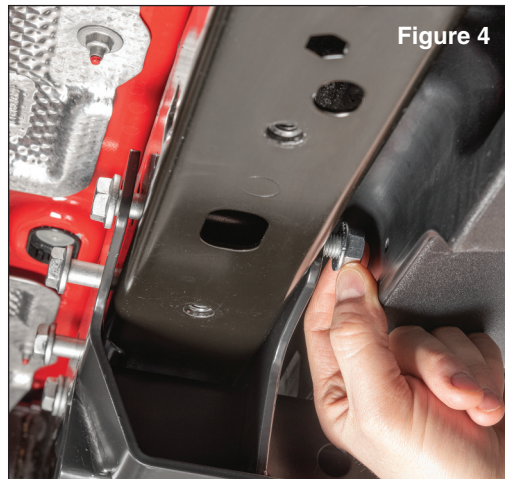
Put on safety glasses. Locate the 4 holes in the rear frame cross member. (FIG1)



Slide the hitch in place over the cross member and align the holes in the hitch with the holes in the cross member. (FIG2)



Thread 2 of the supplied bolts into the center holes of the hitch, then install the remaining 2 bolts on the outer holes (FIG3)



of the hitch and secure them with (2) flange headed nuts. (FIG4)

See next page.



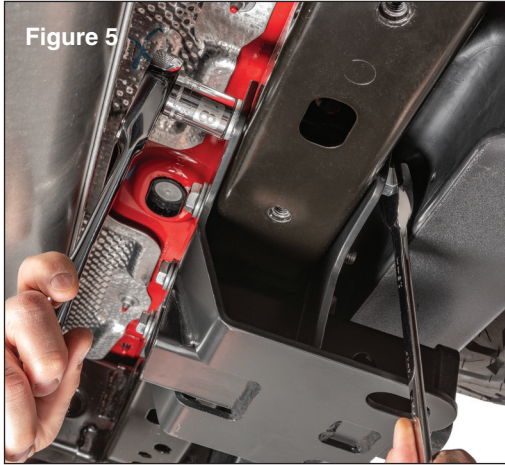
**The Trusted Source**







**Hitch Installation: For Sport Model & Rubicon with Factory Steel Bumpers**



*Tighten all bolts with a 18mm socket and wrench. Torque to 67ftlbs. (FIG5)*



*Installation shown complete without optional wiring bracket.*



*The optional 4-pin harness bracket may be installed as shown on either side of the hitch as shown in FIGS 7 & 8.*



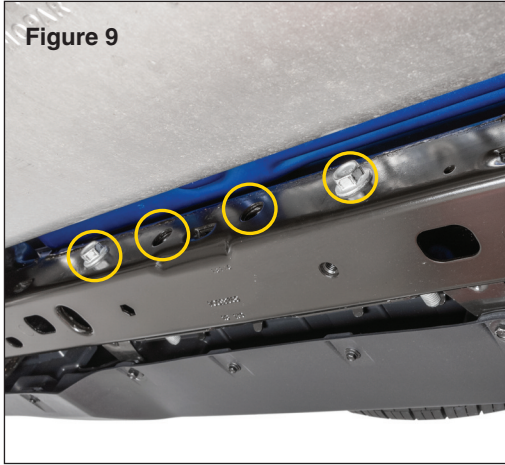
**The Trusted Source**



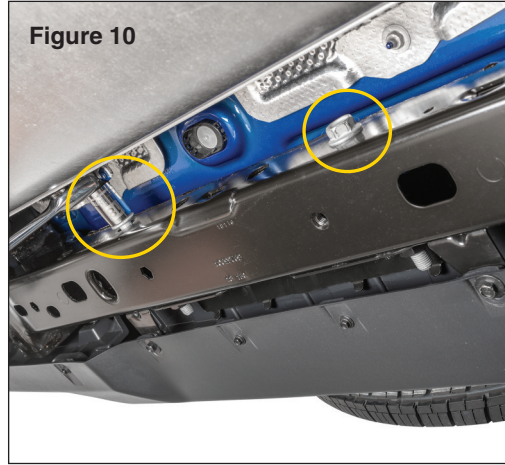




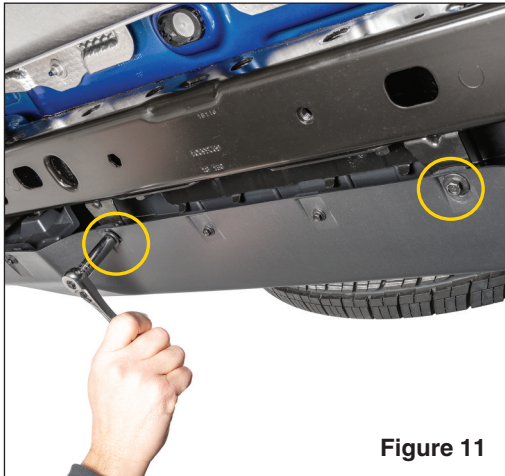
**Hitch Installation: For Sahara & Rubicon with Plastic Bumpers**



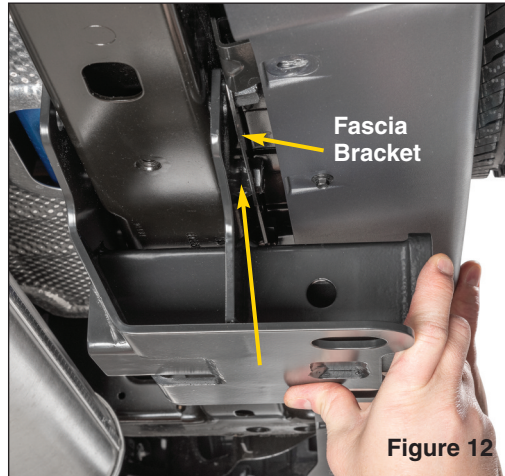
Put on safety glasses. Locate the 2 holes and two bolts in the rear frame cross member. (FIG9)



Remove the two bolts in the outer holes of the cross member using a 18mm socket. (FIG10)



Remove the two lower fascia screws using a 10mm socket. (FIG11)



Tilt the fascia bracket and slip the hitch into place between the cross member and the fascia bracket. (FIG12)

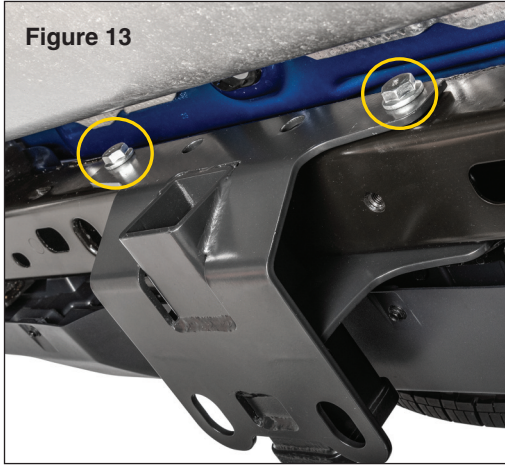


**The Trusted Source**

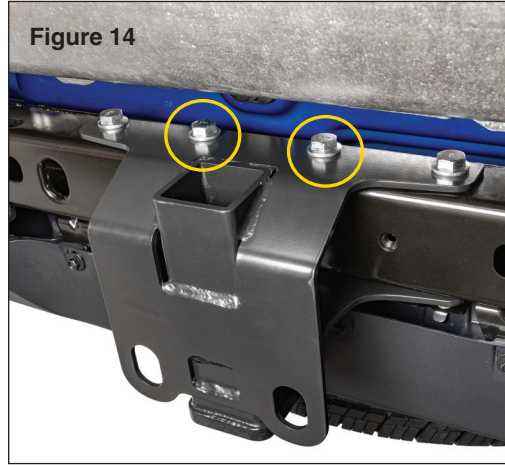




**Hitch Installation: For Sahara & Rubicon with Plastic Bumpers**



*Install 2 of the 12mm bolts into the outer holes of the hitch and thread them into the fascia bracket. (FIG13)*



*Install the remaining 2 bolts in the center holes and snug them tight using an 18mm socket. Reinstall the 10mm fascia screws with a 10mm socket. Torque all 4 hitch bolts to 67ftlbs. (FIG14)*



*Installation shown complete without wiring bracket. (FIG15)*



**The Trusted Source**







**Hitch Installation: Optional for Sahara & Rubicon with Plastic Bumpers**



*The optional 4-pin harness bracket may be installed as shown on either side of the hitch as shown in FIGS 16 & 17.*



*Installation shown complete with optional wiring bracket. (FIG18)*



**The Trusted Source**





## Quadratec® Exclusive Three Year Limited Warranty

Your Quadratec® branded accessories are covered by the following **Limited Warranty** provided exclusively by Quadratec, Inc., 1028 Saunders Lane, West Chester PA 19380.

This **Limited Warranty** is the only warranty made in connection with your purchase. Quadratec neither assumes nor authorizes any vendor, retailer or other person or entity to assume for it any other obligation or liability in connection with this product or **Limited Warranty**. This **Limited Warranty** does not apply and is not cumulative to any accessory or part distributed by Quadratec for which the Manufacturer provides a separate written warranty.

**What is Covered:** Subject to the terms, exclusions and limitations herein and with respect only to Quadratec branded accessories first sold in the United States, Quadratec warrants to the initial retail purchaser only that your Quadratec accessory shall be free of defects in material and workmanship: **for a period of three (3) years from date of retail purchase.**

This **Limited Warranty** is not assignable and shall terminate upon sale of the vehicle upon which the Quadratec accessory is installed or other transfer third persons.

All other warranties are hereby disclaimed, except to the extent prohibited by applicable law in which case any implied warranty of merchantability or fitness for a particular purpose on this product is limited to 3 year from date of initial retail sale. Quadratec reserves the rights to: (a.) require invoice or other proof your accessory is within the terms of this **Limited Warranty** as a condition of warranty service and, (b.) make future revisions to this product and **Limited Warranty** without prior notice or obligation to upgrade your product.

**What is Not Covered:**  
Your Quadratec **Limited Warranty** does not cover products or parts Quadratec determines to have been damaged by or subjected to:

(a.) installation damage, alteration, modification, combination with other parts, failure to maintain or improper repair or service, (b.) normal wear & tear, cosmetic damage or damage from moisture or water immersion, (c.) Acts of God, accidents, misuse, negligence, inadequate mounting or impact with vehicle(s), obstacles or other aspects of the environment, (d.) theft, vandalism or other intentional damage.

**Remedy Limited to Repair/Replacement:**  
**The exclusive remedy provided hereunder shall, upon Quadratec inspection and at Quadratec's option, be either repair or replacement of product or parts (new or refurbished) covered under this Limited Warranty.** Customers requesting warranty consideration should first contact Quadratec to obtain a RGA number (610-701-3336). All labor, removal, shipping and installation costs are customer's responsibility.

### **Other Limitations - Exclusion of Damages - Your Rights Under State Law:**

In consideration of the purchase price paid, neither Quadratec nor any independent Quadratec distributor/licensee are responsible for any time loss, rental costs, or for any incidental, consequential, punitive or other damages you may have or incur in connection with any part or product purchased. Your exclusive remedy hereunder for covered parts is repair/replacement as described above.

This **Limited Warranty** gives you specific rights. You may also have other rights that vary from state to state. For example, some states do not allow limitations of how long an implied warranty lasts and /or do not allow the exclusion or limitation of incidental or consequential damages, so the limitations and exclusions herein may not apply to you.

©Quadratec, Inc. 2018. All Rights Reserved.  
12.10.18 A4 Version

Part # 12999.3114



**The Trusted Source**