

# Winch Ready JL & JT Front Bumper

*Installation Manual for 2018 - Current Wrangler (JL & JT) #JLFBTB-002*



**⚠ WARNING ⚠**

TO BE SAFE WHILE INSTALLING THIS PRODUCT, READ ALL MESSAGES AND UNDERSTAND ALL INSTRUCTIONS.

**⚠ WARNING ⚠**

MOUNT A WINCH PER THE WINCH MAKER INSTRUCTIONS. USE SAFE WINCHING PRACTICES.

**⚠ CAUTION ⚠**

ALWAYS WEAR SAFETY GLASSES WHILE INSTALLING OR WORKING ON THIS PRODUCT. RECHECK NUTS AND BOLTS AND RE-TORQUE AFTER 250 MILES. PERIODICALLY CHECK THE NUTS AND BOLTS DURING THE LIFE OF THE PRODUCT. DO NOT USE THIS PRODUCT IF IT IS DAMAGED. CHECK STATE AND LOCAL LAWS REGARDING PERMITTED BUMPER SIZES, TYPES AND HEIGHTS.

A Few Words About Product Safety: Your TACTIK® product is intended to enhance the utility and enjoyment of your off road capable vehicle. Before installation, please review the following safety information and installation recommendations. Throughout these instructions important safety information is generally preceded by one of three signal words indicating the relative risk of injury, property damage or adverse consequence. The signal words mean:

**⚠ WARNING ⚠** A HAZARDOUS SITUATION WHICH, IF NOT AVOIDED, COULD RESULT IN DEATH OR SERIOUS INJURY. YOU CAN BE KILLED OR SERIOUSLY HURT IF YOU DON'T FOLLOW INSTRUCTIONS.

**⚠ CAUTION ⚠** A HAZARDOUS SITUATION WHICH, IF NOT AVOIDED, COULD RESULT IN MINOR OR MODERATE INJURY. YOU CAN BE MODERATELY HURT AND ALSO MAY SUFFER PROPERTY DAMAGE IF YOU DON'T FOLLOW INSTRUCTIONS.

**NOTICE** CAREFUL ATTENTION IS REQUIRED TO THIS INSTRUCTION OR OPERATION BUT DOES GENERALLY NOT RELATE TO PERSONAL INJURY. DAMAGE TO YOUR TACTIK PRODUCT OR OTHER PROPERTY MAY RESULT IF YOU DON'T FOLLOW INSTRUCTIONS.

**⚠ WARNING ⚠** TO REDUCE RISK OF SERIOUS INJURY OR PROPERTY DAMAGE: READ ALL SAFETY MESSAGES AND UNDERSTAND ALL INSTRUCTIONS AND PROCEDURE NOTICES BEFORE ATTEMPTING TO INSTALL OR USE THIS PRODUCT.

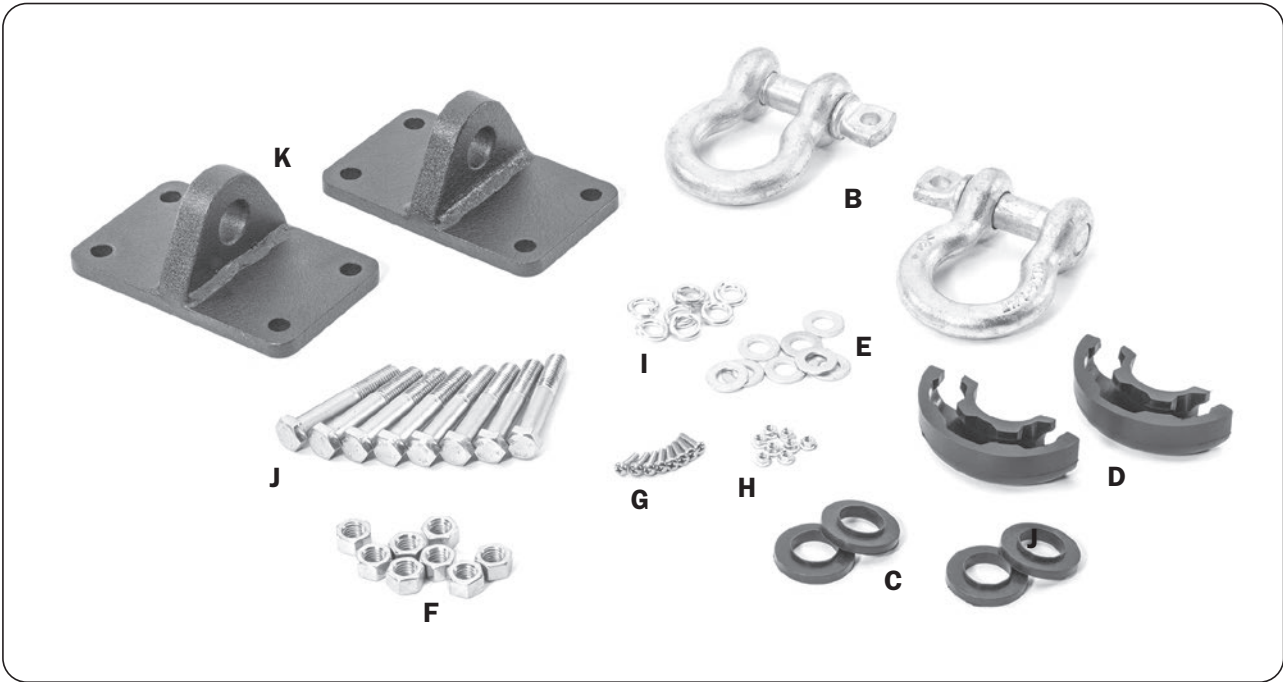
**⚠ WARNING ⚠** MOUNT WINCH USING ONLY APPROVED MOUNTING PLATE. BUMPER/WINCH PLATE NOT INTENDED FOR WINCHES IN EXCESS OF 9500LBS. LOAD LIMITS FOR YOUR BUMPER/WINCH MAY BE LESS DEPENDING ON CONDITION OF YOUR VEHICLE AND ATTACHMENTS. FOLLOW ALL INSTRUCTIONS, LIMITATIONS & WARNINGS WITH YOUR VEHICLE, THIS PRODUCT, YOUR WINCH AND SAFE WINCHING PRACTICES SUPPLEMENT.

**⚠ WARNING ⚠** RISK OF EYE INJURY! SAFETY GLASSES MUST BE WORN AT ALL TIMES WHILE INSTALLING OR MAINTAINING THIS PRODUCT. TORQUE AND RECHECK FASTENERS AFTER 250 MILES AND FREQUENTLY THEREAFTER. INSPECT BUMPER, WINCH AND MOUNT BEFORE USE. DO NOT USE IF DAMAGED.

**NOTICE** CHECK STATE AND LOCAL HIGHWAY SAFETY LAWS REGARDING PERMITTED BUMPER TYPES AND HEIGHTS.

**NOTICE** AS YOU UNPACK YOUR FRONT BUMPER, BE CAREFUL NOT TO SCRATCH THE FINISH WITH A KNIFE OR RAZOR. WE SUGGEST PLACING THE UNPACKED BUMPER BACK INTO THE ORIGINAL BOX SO IT DOES NOT GET SCRATCHED BEFORE THE INSTALLATION BEGINS. THIS BUMPER HAS A CUT-OUT FOR A VEHICLE RECOVERY WINCH. A SEPARATE WINCH MOUNTING PLATE IS REQUIRED FOR WINCH INSTALLATION.

**Winch Ready Front Bumper Parts & Tools**

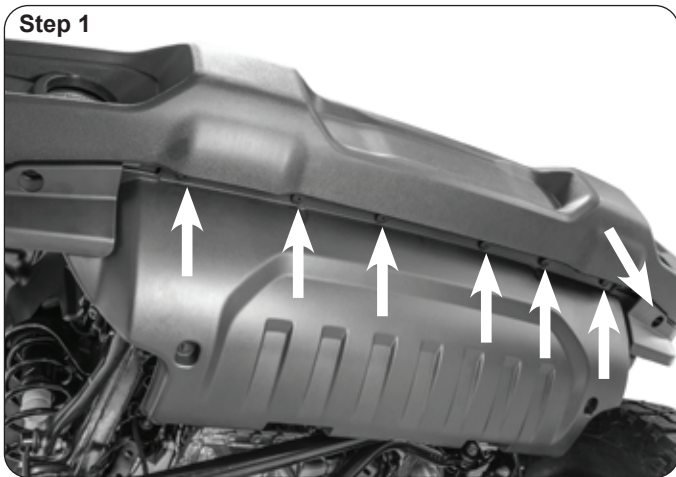


**REQUIRED TOOLS:**

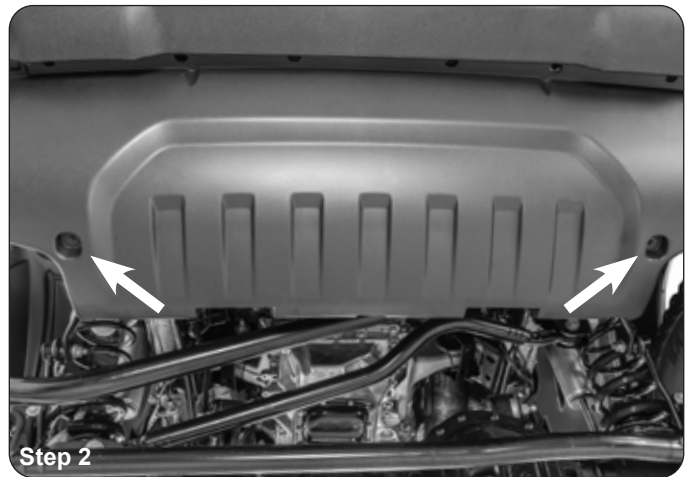
- Safety Glasses
- 13, 16, & 18mm deep Sockets 19mm Socket
- Extension & Ratchet
- 7mm & 5/16" Sockets & Ratchet 7mm Box
- End Wrench
- T-20 Torx Driver
- Flat Blade Screwdriver
- Forked Clip/Trim Removal Tool

**KIT CONTENTS LIST:**

- A.) Winch Ready Front Bumper (1)
- B.) D-Rings (2)
- C.) D-Ring Washers (4)
- D.) D-Ring Isolators (2)
- E.) M12 Flat Washers (8)
- F.) M12 Nuts (8)
- G.) M4 Phillips Screws (8)
- H.) M4 Flange Nuts (8)
- I.) M12 Split Washers (8)
- J.) M12 Bolts (8)
- K.) D-Ring Mounting Brackets (2)



**Step 1**  
Put on safety glasses. Remove the 8 plastic push rivets on the underside of the bumper that are holding on the splash guard. (Step 1)



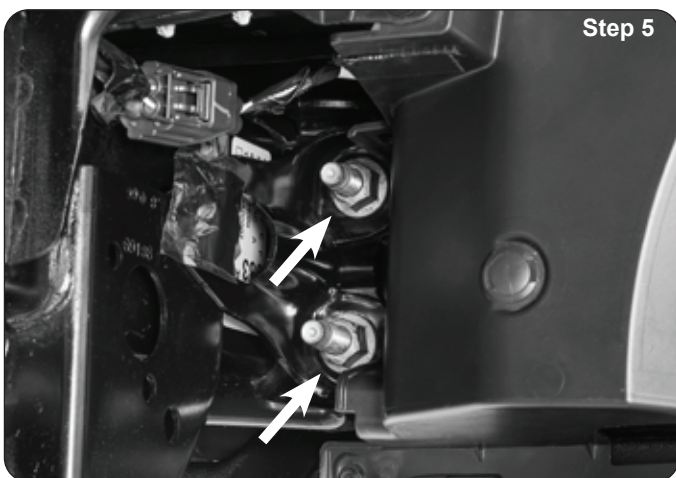
**Step 2**  
Remove the two screws on the under-side using a 5/16" socket. (Step 2) Re-move the splash guard. Note: This will not be reused.



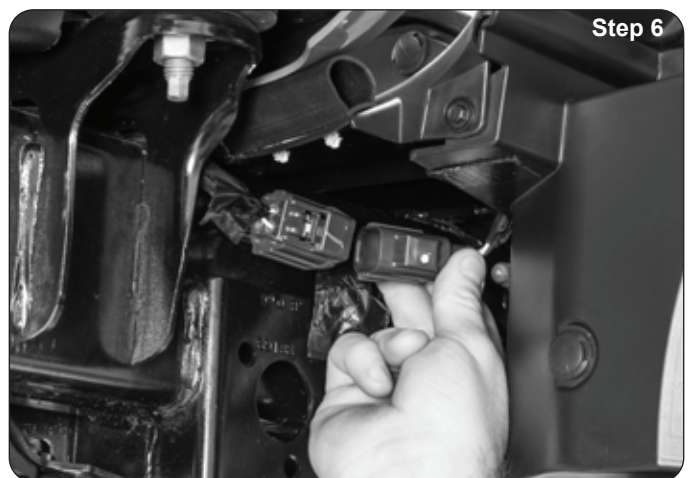
**Step 3**  
Locate the frame guard plastic retainers on either side. (Step 3)



**Step 4**  
Remove the plastic retainers using a small flat blade screwdriver. (Step 4)



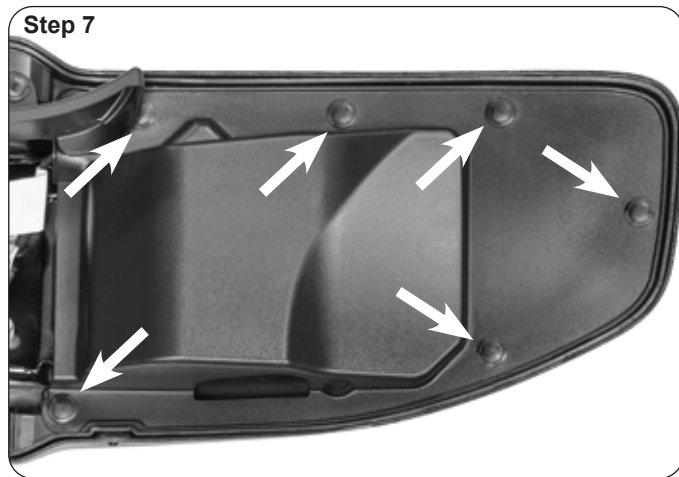
**Step 5**  
Using a 18mm deep socket remove the 8 bumper retaining nuts. There are 2 on the inside and outside of each frame rail. (Step 5)



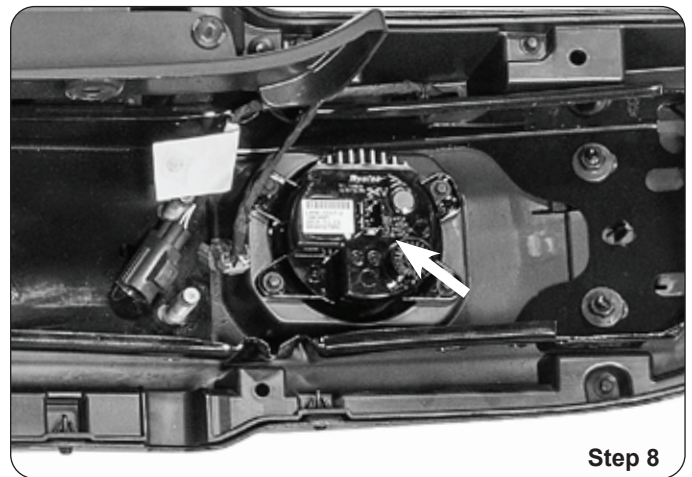
**Step 6**  
Disconnect the fog light wiring harness plug and remove bumper. (Step 6)

**Foglight Harness Removal from Original Bumper (Sahara & Rubicon Models Only)**

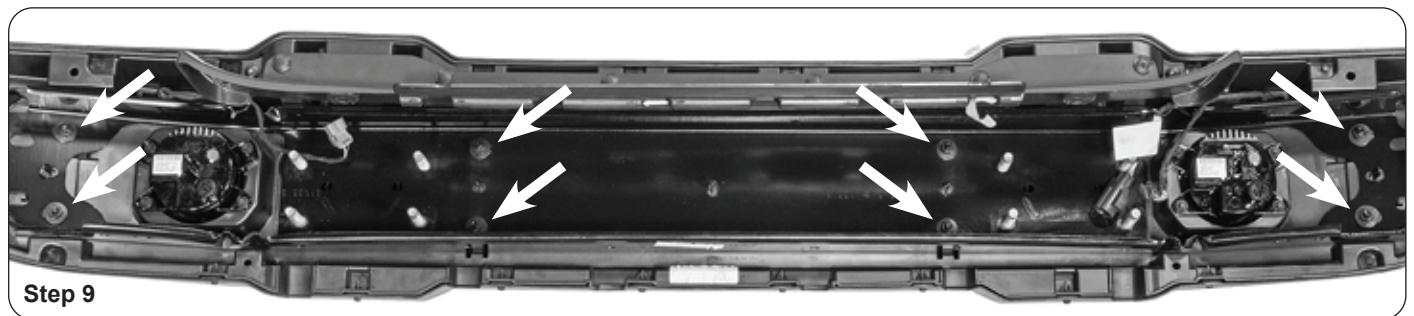
JL Sport models will require 2010-18 Wrangler JK or 18-UP Wrangler JL Sahara/Rubicon with plastic bumper fog lamps.



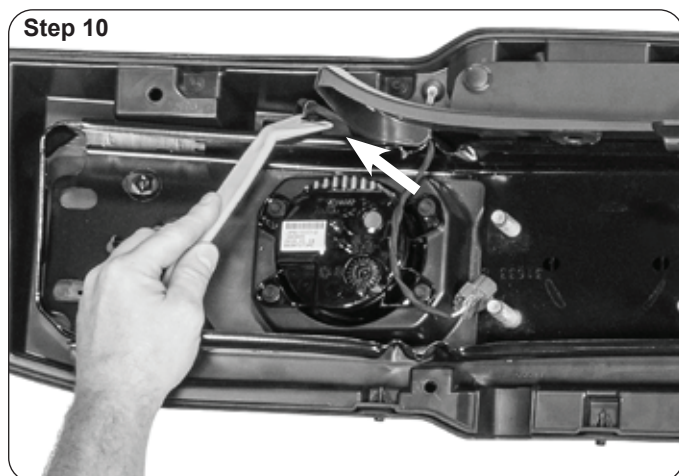
Remove the 6 plastic fasteners on either side holding the splash shields to bumper using a flat blade screwdriver. (Step 7)



Unplug the factory wiring harness from the fog lights. (Step 8)



Remove the 8 nuts holding the metal sub structure to bumper fascia using a 13mm deep socket. (Step 9)

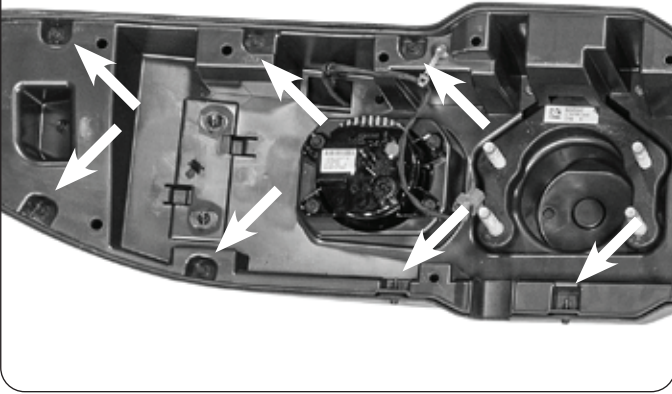


Remove the two fog light wiring harness retainers from metal sub structure using a trim removal tool. (Step 10) Now remove the metal sub structure.



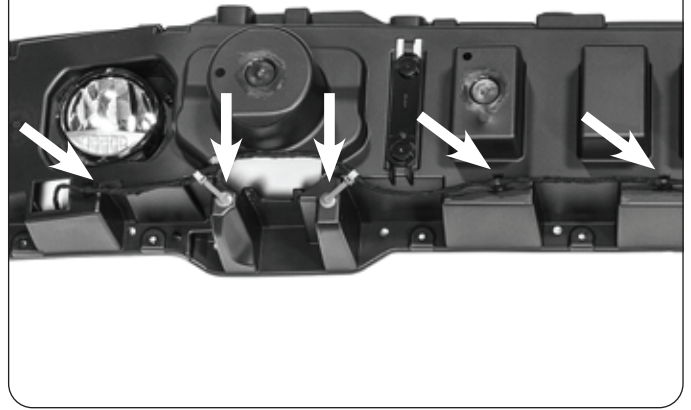
Remove the 6 plastic fasteners holding the frame guard to bumper using a flat blade screwdriver. (Step 11)

**Step 12**



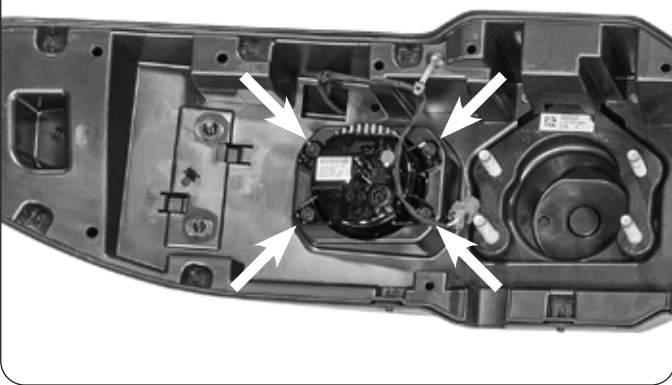
Remove the 24 screws holding bumper halves together using a 7mm socket. (Step 12)

**Step 13**



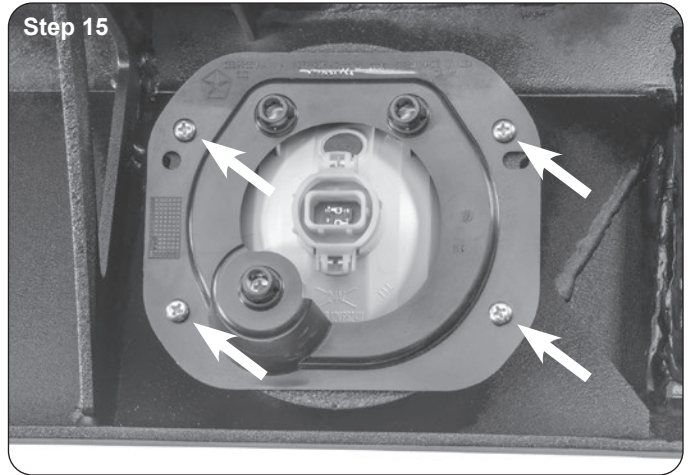
Separate bumper halves and turn over to access the fog light wiring harness. Remove harness using a trim removal tool and set aside for reuse later. (Step 13)

**Step 14**



Remove the 8 screws holding the fog lamps to bumper using a 7mm socket and set aside for reuse. (Step 14)

**Step 15**



Install the fog lights with the 8 provided phillips head screws and flange nuts using a phillips screwdriver. (Step 15)

**Step 16**

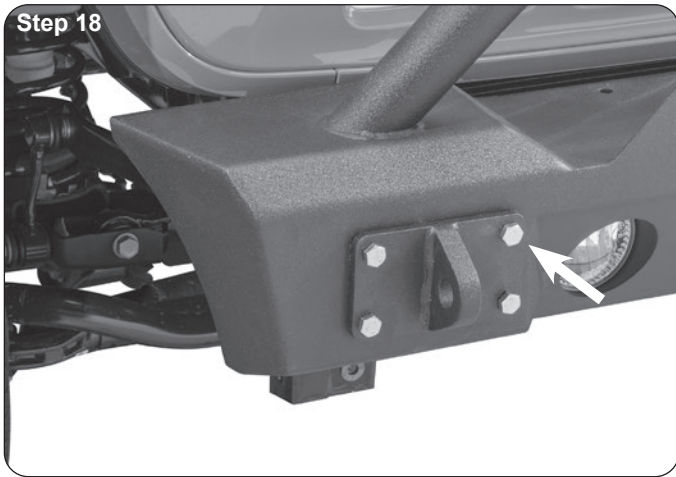


Before installing the bumper you must first install your winch and fairlead on to the bumper according to your winch's installation instructions.

**Step 17**



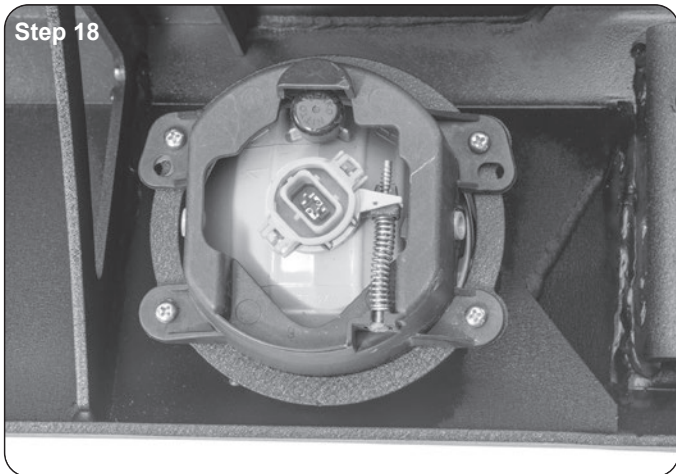
With the help of a friend lift the bumper into place on the frame of the Jeep. (Step 17)



Pass 4 M12 bolts through the D-ring mounting bracket and through the factory frame holes. Repeat on other side. (Step 18)



Secure the bolts with the 8 M12 nuts, split washer and flat washers on the back of the frame. Tighten with an 18mm socket and ratchet. (Step 19)



Reconnect fog-light wiring. (Step 18)



Finally, install D-Rings with provided washers and Isolators. (Step 19)

# TACTIK® Exclusive One Year Limited Warranty

Your TACTIK® branded accessories are covered by the following **Limited Warranty** provided exclusively by the TACTIK® Division of **Quadratec, Inc. 1028 Saunders Lane, West Chester PA 19380.**

This **Limited Warranty** is the only warranty made in connection with your purchase. TACTIK® neither assumes nor authorizes any vendor, retailer or other person or entity to assume for it any other obligation or liability in connection with this product or **Limited Warranty**.

**What is Covered:** Subject to the terms, exclusions and limitations herein and with respect only to TACTIK® branded accessories first sold in the United States, TACTIK® warrants to the initial retail purchaser only that your TACTIK® accessory shall be free of defects in material and workmanship: **for a period of one (1) year from date of retail purchase.**

This **Limited Warranty** is not assignable and shall terminate upon sale of the vehicle upon which the TACTIK® accessory is installed or other transfer third persons.

All other warranties are hereby disclaimed, except to the extent prohibited by applicable law in which case any implied warranty of merchantability or fitness for a particular purpose on this product is limited to 3 year from date of initial retail sale. TACTIK® reserves the rights to: (a.) require invoice or other proof your accessory is within the terms of this **Limited Warranty** as a condition of warranty service and, (b.) make future revisions to this product and Limited Warranty without prior notice or obligation to upgrade your product.

#### **What is Not Covered:**

Your TACTIK® **Limited Warranty** does not cover products or parts TACTIK® determines to have been damaged by or subjected to: (a.) installation damage, alteration, modification, combination with other parts, failure to maintain or improper repair or service, (b.) normal wear & tear, cosmetic damage or damage from moisture or water immersion, (c.) Acts of God, accidents, misuse, negligence, inadequate mounting or impact with vehicle(s), obstacles or other aspects of the environment, (d.) theft, vandalism or other intentional damage.

**Remedy Limited to Repair/Replacement: The exclusive remedy provided hereunder shall, upon TACTIK® inspection and at TACTIK's option, be either repair or replacement of product or parts (new or refurbished) covered under this Limited Warranty.** Customers requesting warranty consideration should first contact TACTIK® to obtain a RGA number (XXX-XXX-XXXX). All labor, removal, shipping and installation costs are customer's responsibility.

#### **Other Limitations - Exclusion of Damages - Your Rights Under State Law:**

In consideration of the purchase price paid, neither TACTIK® nor any independent TACTIK® distributor/licensee are responsible for any time loss, rental costs, or for any incidental, consequential, punitive or other damages you may have or incur in connection with any part or product purchased. Your exclusive remedy hereunder for covered parts is repair/replacement as described above.

This **Limited Warranty** gives you specific rights. You may also have other rights that vary from state to state. For example, some states do not allow limitations of how long an implied warranty lasts and /or do not allow the exclusion or limitation of incidental or consequential damages, so the limitations and exclusions herein may not apply to you.

©TACTIK® 2020 All Rights Reserved. A4 Version

# TACTIK®